

Veriton 5200

User's guide

Copyright © 2001 Acer Incorporated
All Rights Reserved.

Veriton 5200
User's guide

Changes may be made periodically to the information in this publication without obligation to notify any person of such revision or changes. Such changes will be incorporated in new editions of this manual or supplementary documents and publications. This company makes no representations or warranties, either expressed or implied, with respect to the contents hereof and specifically disclaims the implied warranties of merchantability or fitness for a particular purpose.

Record the model number, serial number, purchase date, and place of purchase information in the space provided below. The serial number and model number are recorded on the label affixed to your computer. All correspondence concerning your unit should include the serial number, model number, and purchase information.

No part of this publication may be reproduced, stored in a retrieval system, or transmitted, in any form or by any means, electronic, mechanical, photocopy, recording, or otherwise, without the prior written permission of Acer Incorporated.

Model Number : _____

Serial Number: _____

Purchase Date: _____

Place of Purchase: _____

Acer and the Acer Logo are registered trademarks of Acer Inc. Other company's product names or trademarks are used herein for identification purposes only and belong to their respective companies.

Notices

FCC notice

This device has been tested and found to comply with the limits for a Class B digital device pursuant to Part 15 of the FCC Rules. These limits are designed to provide reasonable protection against harmful interference in a residential installation. This device generates, uses, and can radiate radio frequency energy, and if not installed and used in accordance with the instructions, may cause harmful interference to radio communications.

However, there is no guarantee that interference will not occur in a particular installation. If this device does cause harmful interference to radio or television reception, which can be determined by turning the device off and on, the user is encouraged to try to correct the interference by one or more of the following measures:

- Reorient or relocate the receiving antenna
- Increase the separation between the device and receiver
- Connect the device into an outlet on a circuit different from that to which the receiver is connected
- Consult the dealer or an experienced radio/television technician for help

Notice: Shield cables

All connections to other computing devices must be made using shielded cables to maintain compliance with FCC regulations.

Notice: Peripheral devices

Only peripherals (input/output devices, terminals, printers, etc.) certified to comply with the Class B limits may be attached to this equipment. Operation with noncertified peripherals is likely to result in interference to radio and TV reception.



.....

Caution! Changes or modifications not expressly approved by the manufacturer could void the user's authority, which is granted by the Federal Communications Commission, to operate this computer.

Use conditions

This part complies with Part 15 of the FCC Rules. Operation is subject to the following two conditions: (1) this device may not cause harmful interference, and (2) this device must accept any interference received, including interference that may cause undesired operation.

Notice: Canadian users

This Class B digital apparatus meets all requirements of the Canadian Interference-Causing Equipment Regulations.

Important safety instructions

Read these instructions carefully. Save these instructions for future reference.

- 1 Follow all warnings and instructions marked on the product.
- 2 Unplug this product from the wall outlet before cleaning. Do not use liquid cleaners or aerosol cleaners. Use a damp cloth for cleaning.
- 3 Do not use this product near water.
- 4 Do not place this product on an unstable cart, stand, or table. The product may fall, causing serious damage to the product.
- 5 Slots and openings in the cabinet and the back or bottom are provided for ventilation; to ensure reliable operation of the product and to protect it from overheating, these openings must not be blocked or covered. The openings should never be blocked by placing the product on a bed, sofa, rug, or other similar surface. This product should never be placed near or over a radiator or heat register, or in a built-in installation unless proper ventilation is provided.
- 6 This product should be operated from the type of power indicated on the marking label. If you are not sure of the type of power available, consult your dealer or local power company.
- 7 Do not allow anything to rest on the power cord. Do not locate this product where persons will walk on the cord.
- 8 If an extension cord is used with this product, make sure that the total ampere rating of the equipment plugged into the extension cord does not exceed the extension cord ampere rating. Also, make sure that the total rating of all products plugged into the wall outlet does not exceed the fuse rating.

- 9 Never push objects of any kind into this product through cabinet slots as they may touch dangerous voltage points or short out parts that could result in a fire or electric shock. Never spill liquid of any kind on the product.
- 10 Do not attempt to service this product yourself, as opening or removing covers may expose you to dangerous voltage points or other risks. Refer all servicing to qualified service personnel.
- 11 Unplug this product from the wall outlet and refer servicing to qualified service personnel under the following conditions:
 - a When the power cord or plug is damaged or frayed
 - b If liquid has been spilled into the product
 - c If the product has been exposed to rain or water
 - d If the product does not operate normally when the operating instructions are followed. Adjust only those controls that are covered by the operating instructions since improper adjustment of other controls may result in damage and will often require extensive work by a qualified technician to restore the product to normal condition.
 - e If the product has been dropped or the cabinet has been damaged
 - f If the product exhibits a distinct change in performance, indicating a need for service.
- 12 Replace the battery with the same type as the product's battery we recommend. Use of another battery may present a risk of fire or explosion. Refer battery replacement to a qualified serviceman.
- 13 Warning! Batteries may explode if not handled properly. Do not disassemble or dispose of them in fire. Keep them away from children and dispose of used batteries promptly.
- 14 Use only the proper type of power supply cord set (provided in your accessories box) for this unit. It should be a detachable type: UL listed/CSA certified, type SPT-2, rated 7A 125V minimum, VDE approved or its equivalent. Maximum length is 15 feet (4.6 meters).

Year 2000 compliance statement

The Veriton 5200 computer carries the "Hardware NSTL Tested Year 2000 Compliant" logo, which certifies that this model has been tested by NSTL using the YMark2000 test, and has been found to meet NSTL's standards for Year 2000 hardware compliance.

For more details, check the Acer Year 2000 Resource Center at <http://global.acer.com/service/pcy2000.html>

Laser compliance statement

The CD-ROM/DVD-ROM/CD-RW drive in this computer is a laser product. The CD-ROM/DVD-ROM/CD-RW drive's classification label (shown below) is located on the drive.

CLASS 1 LASER PRODUCT

CAUTION: INVISIBLE LASER RADIATION WHEN OPEN. AVOID EXPOSURE TO BEAM.

Lithium battery statement

CAUTION

Danger of explosion if battery is incorrectly replaced. Replace only with the same or equivalent type recommended by the manufacturer. Discard used batteries according to the manufacturer's instructions.

Contents

Notices	iii
FCC notice	iii
Important safety instructions	iv
Year 2000 compliance statement	v
Laser compliance statement	vi
Lithium battery statement	vi
1 First things first	1
Package contents	3
Before you start...	4
Important tips	4
Cleaning and servicing	4
Asking for technical assistance	5
Accessing your online guide	5
2 System tour	7
Features	9
Performance	9
Multimedia	9
Connectivity	9
Front panel	10
Rear panel	12
The keyboard	14
The mouse	17
Disk drives	18
Hard disk	18
3.5-inch floppy drive	18
CD-ROM/DVD-ROM/CD-RW drive	19
3 Setting up your computer	23
Arranging a comfortable work area	25
Adjusting your chair	25
Positioning your Veriton 5200	25
Positioning your monitor	26
Positioning your keyboard	26
Positioning your mouse	26
Connecting peripherals	27
Connecting your keyboard	27
Connecting your mouse	29
Connecting a CRT monitor	32
Connecting the power cable	33

Turning on your computer	34
Turning off your computer	36
Connecting options	37
Connecting your printer	37
Connecting to the network	38
Connecting USB devices	39
Connecting multimedia devices	41
4 Upgrading your computer	45
Installation precautions	47
ESD precautions	47
Preinstallation instructions	47
Post-installation instructions	48
Opening your computer	49
To remove the computer cover	49
To replace the computer cover	50
Internal components	51
System boards	52
Mainboard layout	52
Audio board	55
Upgrading your computer	56
Installing additional memory	56
Replacing the hard disk	58
Installing an expansion card	60
5 System utilities	63
System utilities	65
Acrobat Reader	65
LANDesk Client Manager (LDCM)	65
Norton AntiVirus	66
NTI CD-Maker 2000	66
PowerDVD	67
VariSpeed	67
BIOS Setup utility	67
Reinstalling programs	69
6 Frequently asked questions	71
FAQs	73
Index	77

1 First things first

This chapter describes the contents of your computer package and also provides important tips on how to take care of your computer.

Package contents

Before you unpack your computer, make sure that you have enough space to set up your computer.

Carefully unpack the carton and remove the contents. If any of the following items are missing or damaged, contact your dealer immediately:

- Veriton 5200
- Items contained in the accessory box
 - USB keyboard
 - USB mouse
- User's guide and installation poster
- Other user documentation and third-party software

Before you start...

Please read the safety instructions listed in this section. Following these instructions on the care and use of your new computer will help you maximize its durability.

Important tips

- Do not expose the computer to direct sunlight. Do not place it near sources of heat, such as a radiator.
- Do not subject the computer to magnetic fields.
- Do not expose the computer to rain or moisture.
- Do not spill water on the computer.
- Do not subject the computer to heavy shock or vibration.
- Do not expose the computer to dust and dirt.
- Never place the system on uneven surfaces.
- Do not step on the power cord or place heavy objects on top of it. Carefully route the power cord and any cables away from personal traffic.
- When unplugging the power cord, do not pull on the cord itself but pull on the plug.
- The total ampere rating of the equipment plugged in should not exceed the ampere rating of the cord if you are using an extension cord. Also, the total current rating of all equipment plugged into a single wall outlet should not exceed the fuse rating.
- Check the documentation that came with your software programs to see if you can select other combinations of resolution and color. These adjustments could make viewing the screen more comfortable.

Cleaning and servicing

To clean your computer and keyboard

- 1 Turn off the computer and unplug the power cable.
- 2 Use a soft cloth moistened with water and gently wipe the exterior of the computer and the keyboard. Do not use liquid or aerosol cleaners.

To clean your mouse

- 1 Open the circular cover underneath the mouse.
- 2 Take out the rubber ball and wipe it with a soft, damp cloth.
- 3 Put the ball back and close the cover.

When to contact a service technician

- If you dropped and damaged the computer
- If liquid has been spilled into the computer
- If the computer is not operating normally
- If a computer problem persists even after you have checked and done the troubleshooting tips discussed in the “Frequently asked questions” section on page 73
- If your problem is not listed in the “Frequently asked questions” section on page 73
- If you want to replace or upgrade any of your computer's internal components

Asking for technical assistance

For technical assistance, contact your local dealer or distributor. You may also access the Acer Web site at <http://www.acer.com/> for information on how and where to contact the service centers available in your area.

Accessing your online guide

For on-the-go help information about your computer, refer to the Veriton 5200 online guide. To access the online guide, simply double-click on the Veriton 5200 online icon on your Windows desktop.

2 System tour

This chapter discusses the features and components of your computer.

Features

Here are just a few of your computer's many features:

Performance

- Intel Pentium® 4 processor with Intel NetBurst™ micro-architecture
- System memory expandable to a maximum of 3 GB
- Power management function
- 3.5-inch floppy drive
- Optical drive (CD-ROM, DVD-ROM or CD-RW drive)
- High-capacity, Enhanced-IDE hard disk

Multimedia

- 128-bit graphics accelerator installed in the AGP Pro card slot
- 3-D quality audio system via onboard audio controller
- Audio-in/Line-in, Audio-out/Line-out, Headphone-out, Mic-in, and Game/MIDI interfaces



.....

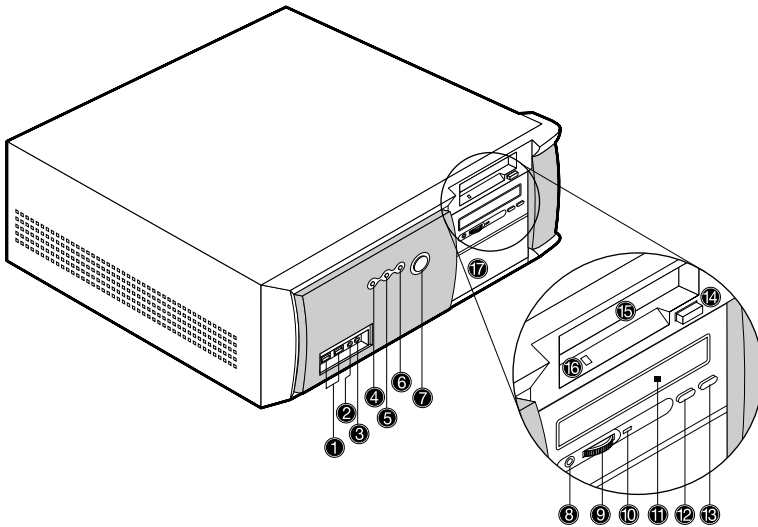
Note: The system has two microphone-in ports (front and rear). However, you can not use both of them at the same time. The default setting for your system enables the microphone-in port in front and disables the one at the back.






Connectivity






- PS/2 mouse and keyboard interfaces
- Two serial and one parallel interfaces
- Universal Serial Bus (USB) ports (two on the front and two on the rear panel)
- High-speed fax/data PCI modem (optional)
- 10Base-T/100Base-TX network support with remote wake-up function

Front panel

Your computer's front panel consists of the following:



Label	Icon	Description
1		USB ports
2		Microphone-in port (front) ^{see note}
3		Headphone/Earphone port
4		Hard disk activity indicator
5		System activity indicator

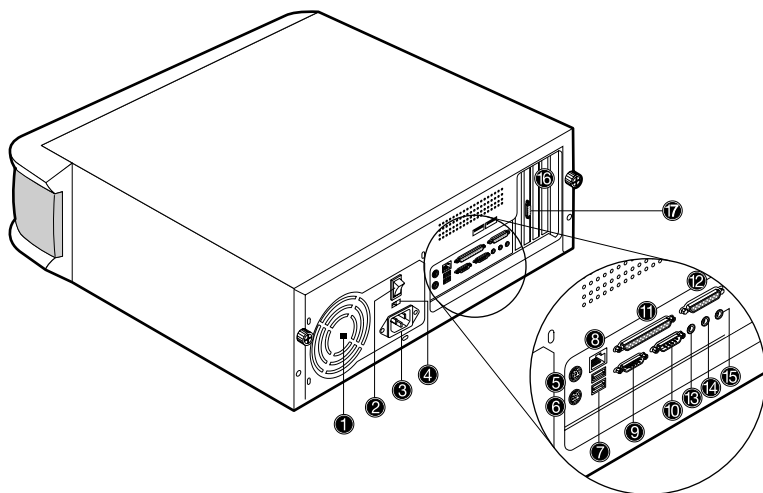
Label	Icon	Description
6		Power indicator
7		Power button
8		CD-ROM/DVD-ROM/CD-RW Headphone/ Earphone port
9		Volume control tuner
10		CD-ROM/DVD-ROM/CD-RW drive indicator
11		CD-ROM/DVD-ROM/CD-RW drive
12		CD-ROM/DVD-ROM/CD-RW drive Skip/ Forward button
13		CD-ROM/DVD-ROM/CD-RW drive Stop/Eject button
14		3.5-inch floppy drive Eject button
15		3.5-inch floppy drive
16		3.5-inch floppy drive indicator
17		5.25-inch drive bay















Note: The system has two microphone-in ports (front and rear). However, you can not use both of them at the same time. The default setting for your system enables the microphone-in port in front and disables the one at the back. Refer to the Veriton 5200 online guide for instructions on how to enable the rear microphone-in port.

Rear panel

Your computer's rear panel consists of the following:



Label	Icon	Color	Description
1			Power supply
2			Main power switch
3			Power cable socket
4			Voltage selector switch
5		Green	PS/2 mouse port
6		Purple	PS/2 keyboard port
7		Black	USB ports

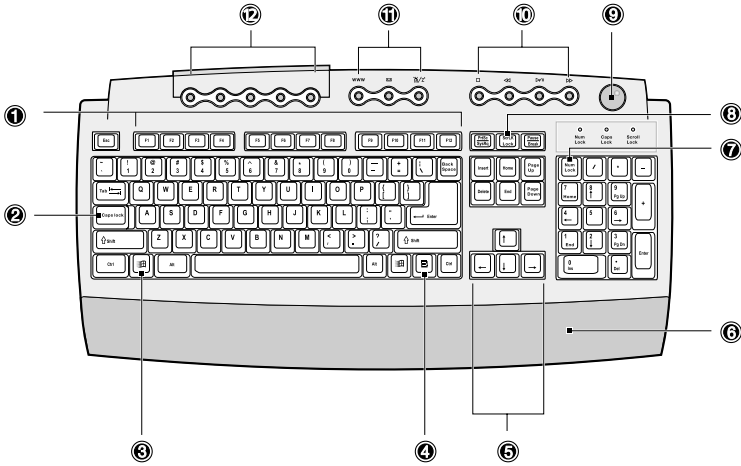
Label	Icon	Color	Description
8		White	Network port
9		Teal or Turquoise	Serial port 1
10		Teal or Turquoise	Serial port 2
11		Burgundy	Parallel/Printer port
12		Gold	Game/MIDI port
13		Lime	Audio-out/Line-out jack
14		Light blue	Audio-in/Line-in jack
15			Microphone-in port (rear)
16			Expansion slots
17			CRT/LCD monitor port

For information on how to connect the peripherals, see “Connecting peripherals” on page 27 and “Connecting options” on page 37.




The keyboard







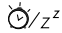
Your computer comes with a USB keyboard. The keyboard has full-sized keys that include separate cursor keys, two Windows keys, and twelve function keys.

For information on how to connect your USB keyboard, please see “Connecting peripherals” on page 27.



No.	Component	Function
1	Function keys (F1 - F12)	Access most of the computer's controls like screen brightness, volume output and the BIOS Setup utility.
2	Caps Lock	When activated, all alphabetic characters typed appear in uppercase (same function as pressing Shift + <letter>).

No.	Component	Function
3	Windows logo key 	Start button. Combinations with this key perform special functions, such as: <ul style="list-style-type: none"> • Windows + Tab: Activate the next Taskbar button • Windows + E: Explore My Computer • Windows + F: Find Document • Windows + M: Minimize All • Shift + Windows + M: Undo Minimize All • Windows + R: Displays the Run dialog box
4	Application key 	Opens the applications context menu (same function as clicking the right button of the mouse).
5	Cursor keys	Also called the arrow keys. These keys let you move the cursor around the screen. They serve the same function as the arrow keys on the numeric pad when the Num Lock is toggled off.
6	Palm rest (detachable)	Provides a comfortable place to rest your hands while typing.
7	Num Lock	When activated, the keypad is set to numeric mode, i.e., the keys function as a calculator (complete with arithmetic operators such as +, -, x, and /).
8	Scroll Lock	When activated, the screen moves one line up or down when you press the up arrow or down arrow respectively. Take note that Scroll Lock may not work with some applications.
9	Volume control/ Mute knob 	The volume control/mute knob controls the speaker volume. Turn it clockwise or counterclockwise to adjust the volume. Press it to toggle between mute and sound.

No.	Component	Function
10	Multimedia keys	<p>Allow you to do the following:</p> <ul style="list-style-type: none"> • Play/Pause button  - press to start playing the audio or video file. Press again to pause. • Stop button  - press to stop playing the audio or video file. • Forward button  - press to skip forward to the next file and start playing. • Backward button  - press to skip backward to the previous file and start playing.
11	Internet/Suspend keys	<p>Consist of three buttons:</p> <ul style="list-style-type: none"> • Email button  launches your email application. • Web browser button  launches your current default browser. • Suspend/Resume button  puts the system to sleep when pressed. To wake the system press it again.
12	Programmable keys	<p>Access a URL (Web site) or launch any program, file or application in your system. The fifth key is set to launch the Windows Media Player.</p> <p>To configure the settings of each key, right-click on the Magic Keyboard icon located on your Windows desktop.</p>

The mouse

Your computer comes with a USB mouse. The mouse has one ratchet wheel and two buttons: a right button and a left button. Quickly pressing and releasing the buttons is called clicking. Sometimes, you will need to do a double-click (clicking the same button twice quickly) or a right-click (clicking the right button quickly).

For information on how to connect your USB mouse, see “Connecting peripherals” on page 27.



No.	Component	Function
1	Left button	Allows you to select with a click and execute with a double-click.
2	Ratchet wheel	Allows you to easily scroll. By moving the wheel with your index finger, you can quickly move through multiple pages, lines or windows. Also functions as a third button allowing you to quickly click or double-click an icon or a selected item.
3	Right button	Opens the applications context menu.

For information on how to clean your mouse, see “To clean your mouse” on page 5.



Note: If you are left-handed, refer to your Windows manual for instructions on how to set up your mouse for left-handed use.

Disk drives

Your Veriton 5200 computer comes with the following disk drives:

Hard disk

Your computer is preinstalled with a high-capacity Enhanced-IDE (E-IDE) hard disk.

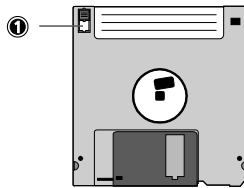
Refer to “Replacing the hard disk” on page 58 for instructions on how to upgrade or replace your hard disk.

3.5-inch floppy drive

Your computer's 3.5-inch floppy drive supports 720-KB and 1.44-MB capacity diskettes.

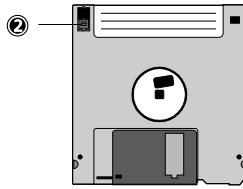
Floppy diskettes are compact, lightweight, and easy to carry around. Here are some tips on how to take care of your diskettes:

- Always make backup copies of the diskettes that contain important data or program files.
- Keep diskettes away from magnetic fields and sources of heat.
- Avoid removing a diskette from the floppy drive when the drive activity indicator is on.
- Write-protect your diskettes to prevent accidental erasure. To do this, slide the write-protect tab to the write-protect position (1).



Sliding the write-protect tab to the not-write-protect position (2)

will allow you to store and modify data in your diskettes.



- When you put a label on a 3.5-inch diskette, make sure that the label is properly attached (flat on the surface) and within the labeling area (area with a slight surface depression) on the diskette. An improperly attached label may cause a diskette to get stuck in the floppy drive when you are inserting or removing it.

CD-ROM/DVD-ROM/CD-RW drive

Your computer may come with a CD-ROM, a DVD-ROM or a CD-RW drive. This drive is located on the front panel of your computer.

The CD-ROM drive allows you to play different types of compact discs (CDs).

The DVD-ROM drive allows you to play not only old CD-ROMs, CD-I discs, and video CDs, but new Digital Video Discs (DVDs) as well. DVD or DVD-ROM is a new type of CD-ROM that holds a minimum of 4.7-GB (gigabytes), enough for a full-length movie. It is believed that it will eventually replace CD-ROMs, as well as VHS video cassettes and laser discs.

The CD-RW drive allows you to record or burn CD-R/W (Recordable or Rewritable) discs.

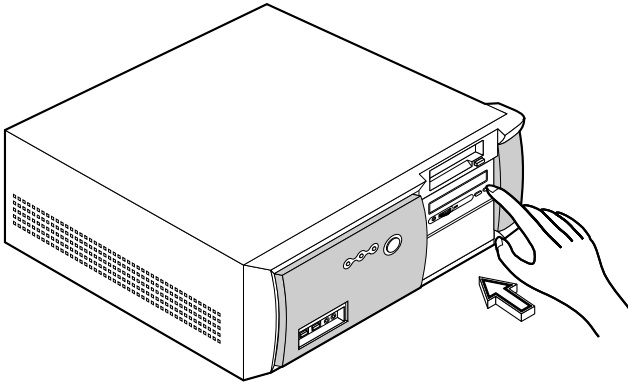
CDs and DVDs, like diskettes, are compact, lightweight, and easy to carry around. However, they are more delicate than diskettes and must be handled with extra care. Here are some tips on how to take care of your CDs and DVDs:

- Keep your discs in a disk case when not in use to avoid scratches or other damage. Any kind of dirt or damage can affect the data on the disc, impair the disc lens reader on the CD-ROM/DVD-ROM/CD-RW drive, or stop the computer from successfully reading the disc.
- When handling discs, always hold them by the edges to avoid smudges or fingerprints.

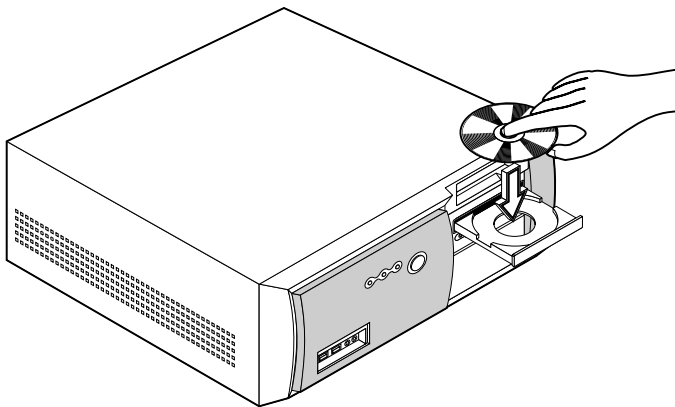
- When cleaning discs, use a clean, dust-free cloth and wipe in a straight line from the center to the edge. Do not wipe in a circular motion.
- Clean your CD-ROM/DVD-ROM/CD-RW drive regularly. You may refer to the cleaning kit for instructions. Cleaning kits can be purchased in any computer or electronics shop.

To insert a CD/DVD into your computer's CD-ROM/DVD-ROM/CD-RW drive:

- 1 Gently press the drive Stop/Eject button located on the front panel.



- 2 When the disc tray slides open, insert the CD/DVD with the label or title side of the disc facing upward.



- 3 Gently press the disc down to make sure that it is properly inserted.



Caution! While pressing the CD/DVD, be careful not to bend the disc tray. Make sure that the CD/DVD is properly inserted before closing the disc tray. Improper insertion may damage both the CD/DVD and the CD-ROM/DVD-ROM/CD-RW drive.

- 4 Gently press the drive Stop/Eject button again to close the disc tray.

3 Setting up your computer

This chapter contains step-by-step instructions on how to set up your computer and connect additional peripherals.

Arranging a comfortable work area

Working safely begins with the arrangement of your work space and the proper use of equipment. For this reason, it is very important to take time and think about how you are going to arrange your work area.

Here are some points to consider:

Adjusting your chair

Having the right kind of chair does not necessarily mean that you'll be properly supported. It is necessary to adjust your chair to fit your body. Proper body posture will make you more comfortable and productive.

- Avoid tilting your chair. If you have a chair that tilts, lock the tilt knobs so that your chair will not tilt forward or backward while you are using your computer.
- Adjust your chair height in such a way that you can sit on it with your thighs parallel to the floor and your feet resting flat on the floor.
- Rest your body on the chair back. Your torso works harder to maintain balance if you do not rest your body on the chair back.

Positioning your Veriton 5200

Take note of the following when selecting a location for your computer:

- Do not put your computer near any equipment that might cause electromagnetic or radio frequency interference such as radio transmitters, televisions, copy machines, or heating and air-conditioning equipment.
- Avoid dusty areas and extremes of temperature and humidity.
- You may place your computer beside your desk or under your table, as long as it does not block the space that you need for working and moving.

Positioning your monitor

Place your monitor at a comfortable viewing distance, usually 50 to 60 centimeters away. Adjust the display in such a way that the top of the screen is at or slightly below eye level.

Positioning your keyboard

The location of the keyboard is a very important factor to your posture. Placing it too far away will make your body lean forward forcing you to sit in an unnatural position. Placing it too high will add tension to your shoulder muscles.

- The keyboard should be placed just above your lap. Adjust the keyboard height by flipping the folding stands located under the keyboard.
- Keep your lower arms parallel to the floor as you type. Your upper arms and shoulders should be relaxed. Then try typing with a light touch. If you feel any shoulder or neck strain, stop for a while and check your posture.
- Position your keyboard in front of your monitor. Putting your keyboard beside your monitor will make you turn your head while you type which could add tension to your neck muscles that may later result in neck strain.

Positioning your mouse


- The mouse should be placed on the same surface as your keyboard so that you can reach it with ease.
- Adjust its position to allow enough space for movement without making you stretch or lean over.
- Use your arm to move the mouse. Do not rest your wrist on the table when moving the mouse.

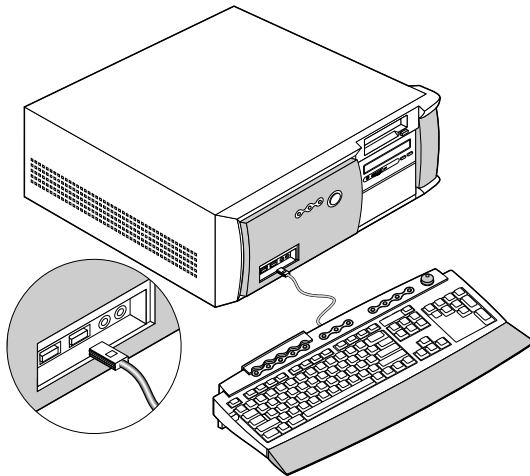
Connecting peripherals

Setting up your computer is easy. For the most part, you only have four things to connect: the keyboard, the mouse, the monitor, and the power cable.

Connecting your keyboard

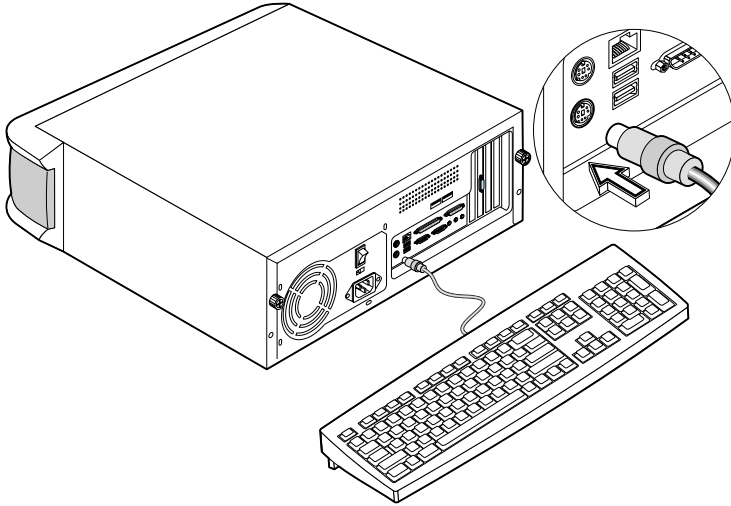
USB keyboard

Plug your USB keyboard cable into any of the USB ports  (black port) located on the front and rear panel of your computer.




PS/2 keyboard

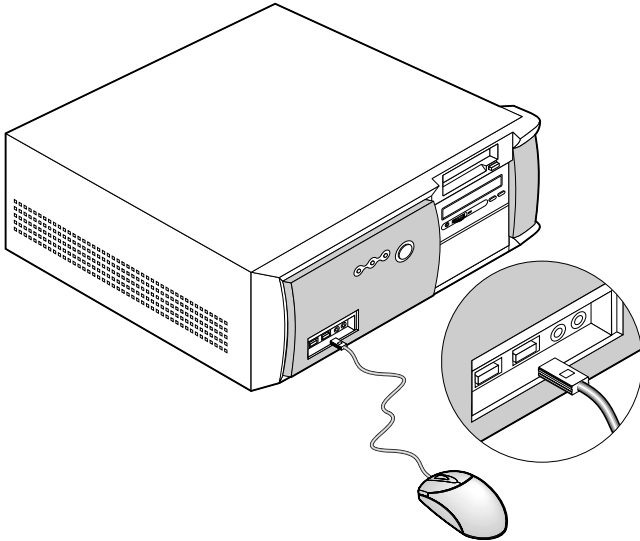
Plug your PS/2 keyboard cable into the PS/2 keyboard port (purple port) located on the rear panel of your computer.




Connecting your mouse

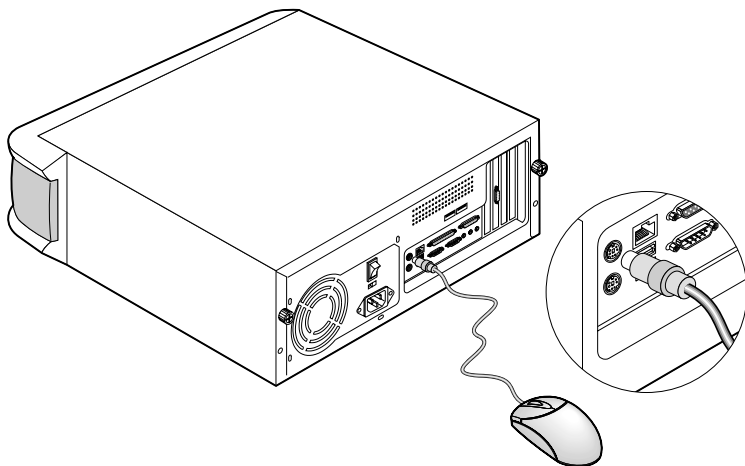
USB mouse

Plug your USB mouse cable into any of the USB ports  (black port) located on the front and rear panel of your computer.




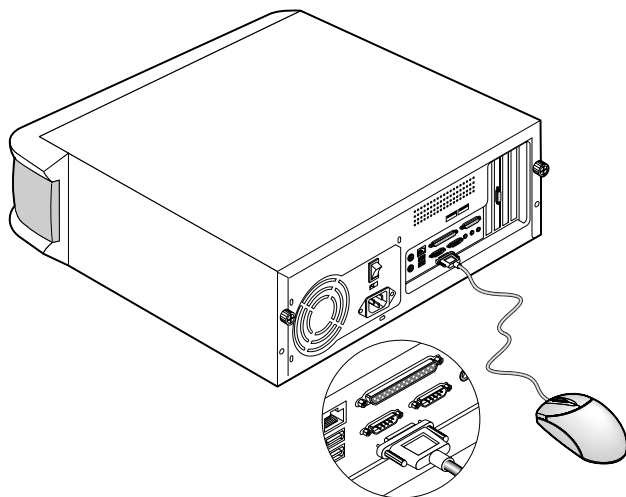
PS/2 mouse

Plug the PS/2 mouse cable into the PS/2 mouse port (green port) located on the rear panel of your computer.  (green port)




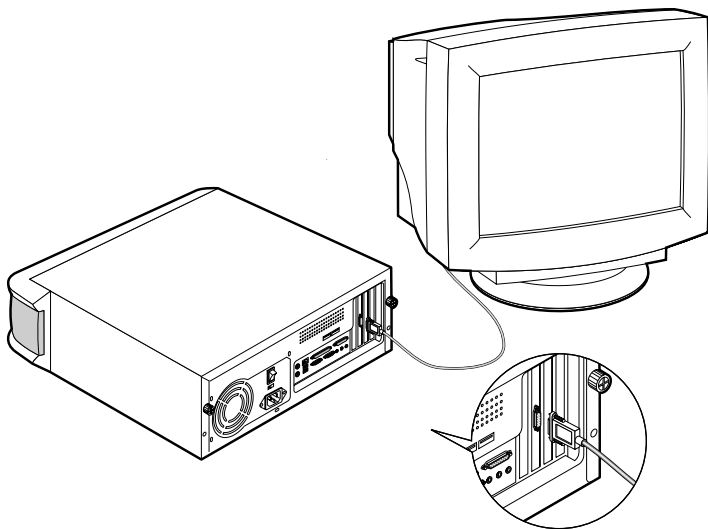
Serial mouse

Plug the serial mouse cable into any of the the serial ports  (teal or turquoise port) located on the rear panel of your computer.



Connecting a CRT monitor

To connect a monitor, simply plug the CRT monitor cable into the CRT monitor port  (blue port) located on the rear panel of your computer.



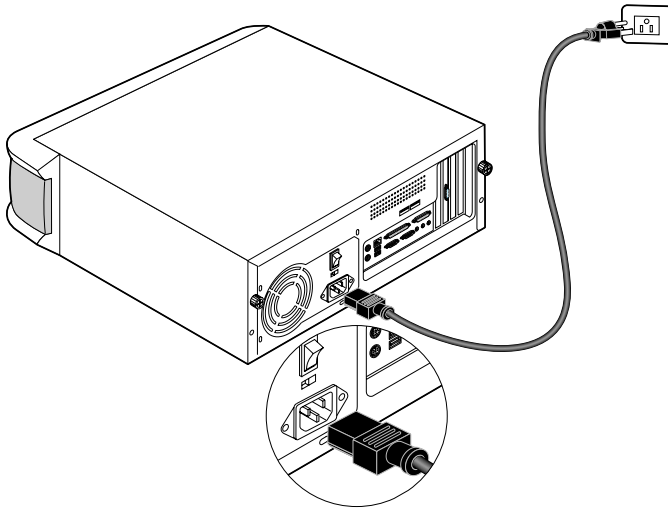
Note: Refer to the monitor manual for additional instructions and information.

Connecting the power cable



Caution: Before you proceed, check the voltage range in your area. Make sure that it matches your computer's voltage setting (refer to page 12 for the location of the voltage selector switch on the rear panel of your computer). If they don't match, change your computer's voltage setting according to your area's voltage range.

Plug the power cable into the power cable socket located on the rear panel of your computer. Then plug the other end of the power cable into a power outlet.

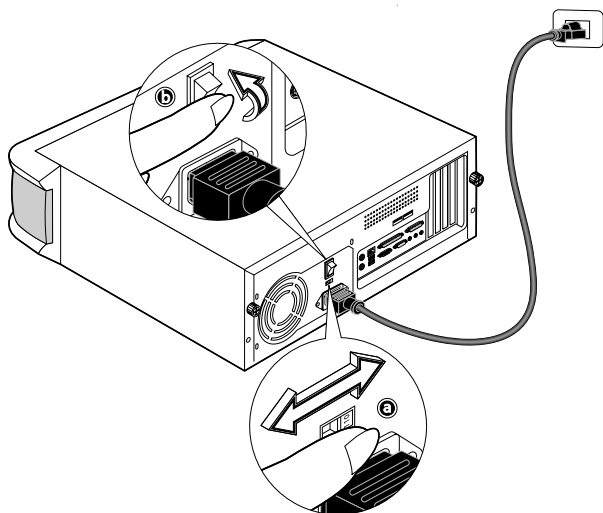


Turning on your computer

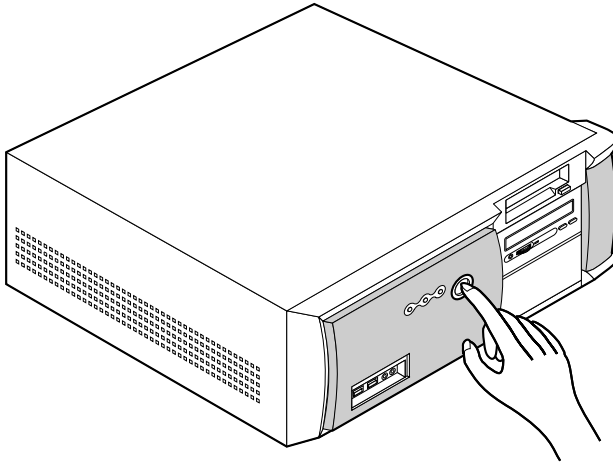
After connecting the necessary peripherals and plugging in the power cable, you are now ready to turn the computer on and get to work.

To turn on your computer:

1. Turn on all peripherals connected to your computer such as the monitor, printer, fax, speakers, etc.
2. On the rear panel of your computer, set the voltage selector switch to the voltage range applicable to your area (a) then turn on the power switch (b).



- 3 On the front panel of your computer, press the power button.



Important: Make sure that the power cable is properly plugged into an electrical outlet. If you are using a power strip or an AVR (Auto-Voltage Regulator), make sure that it is plugged in and turned on.

Turning off your computer

To turn off your computer, on the Windows taskbar click on the **Start** button, point to **Shut Down...**, select **Shut down** from the dropdown window then click on **OK**. You can then turn off all peripherals connected to your computer.

If you cannot shut down your computer, press the power button for at least four seconds. Quickly pressing the button may put the computer in a Suspend mode only.




.....

Note: You do not need to turn off the main power switch every time you turn off your computer. Turn off the main power switch only if you will not use your computer for a long time or if your computer needs servicing.

Connecting options

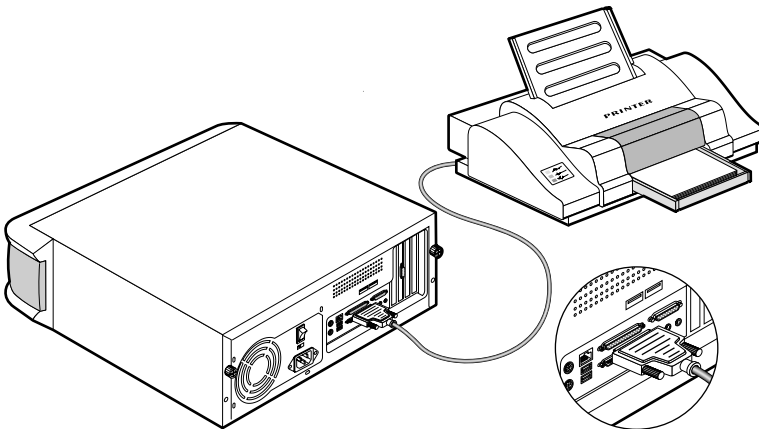
Connecting your printer

Your Veriton 5200 computer supports parallel, serial and USB printers.

To connect a parallel printer, plug the printer cable into the parallel/printer port  (burgundy port) located on the rear panel of your computer.




Note: The printer shown below is for your reference only. Actual device model may vary in different countries.

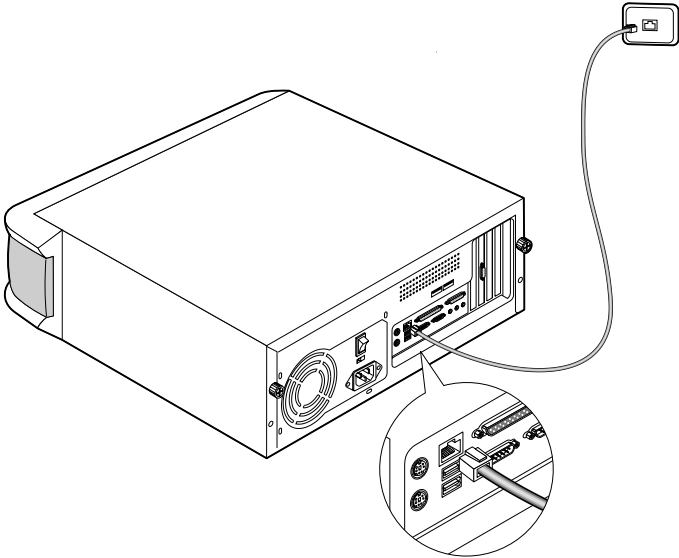


Note: If you are using a serial printer, connect the printer cable into either serial port 1 or serial port 2 located on the rear panel of your computer. In the same manner, connect a USB printer by plugging the printer cable into any of the USB ports located on the front and rear panel.

Connecting to the network

You can connect your computer to a Local Area Network (LAN) using a network cable. To do so, simply plug the network cable into the

network port  (white port) located on the rear panel of your computer.




Note: Consult your operating system manual for information on how to configure your network setup.

Connecting USB devices

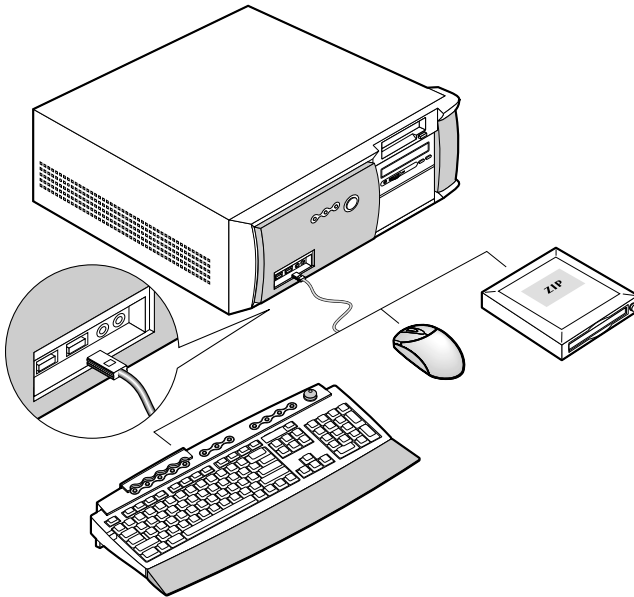
Universal Serial Bus (USB) is a new serial bus design that is capable of cascading low-/medium-speed peripherals (less than 12 Mbps) such as a keyboard, mouse, joystick, scanner, printer and modem. With USB, complex cable connections can be eliminated.

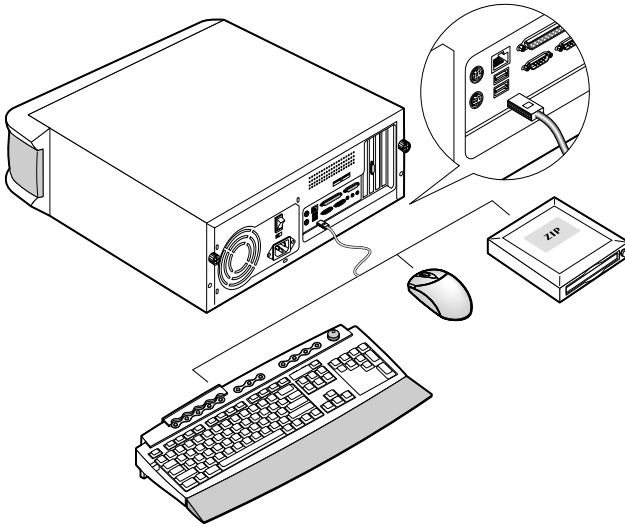
Your computer comes with four USB ports: two each on both the front and rear panels. These ports allow you to connect additional USB devices to your computer without using up its system resources.

To connect a USB device, simply plug the device cable into any of the USB ports  (black port).



.....
Note: The USB devices shown below are for your reference only. Actual device models may vary in different countries.





.....
Note: Most USB devices have a built-in USB port which allows you to connect or daisy-chain more USB devices.


Connecting multimedia devices

Your Veriton 5200 computer comes with multimedia features which allow you to connect such devices as speakers, a microphone, speakers, headphones or earphones, an external CD player and a joystick (for games).



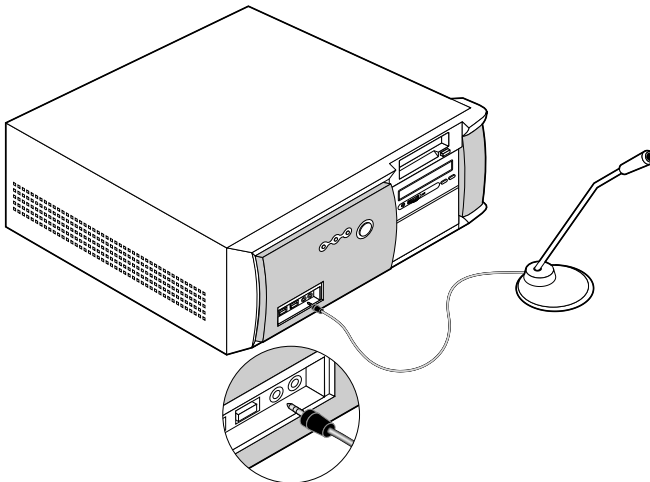
Note: The multimedia devices shown below are for your reference only. Actual device models may vary in different countries.


Plug the devices in as follows:

- microphone: connects to the Mic-in port  (pink port) located on the front and rear panel of your computer.



Note: The system has two microphone-in ports (front and rear). However, you can not use both of them at the same time. The default setting for your system enables the microphone-in port in front and disables the one at the back. Refer to your online guide for instructions on how to enable the rear microphone-in port.

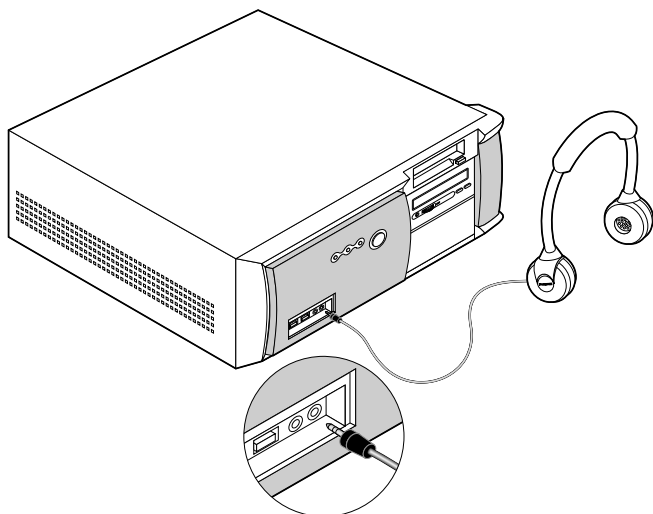




- earphones, headphones: connect to the Headphone/Earphone port  (lime port) located on the front panel of your computer

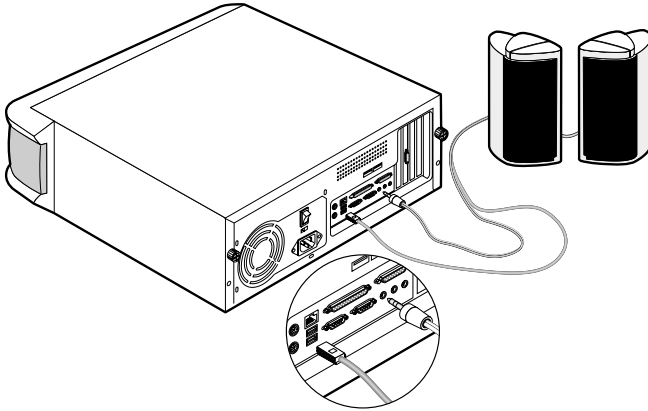



.....

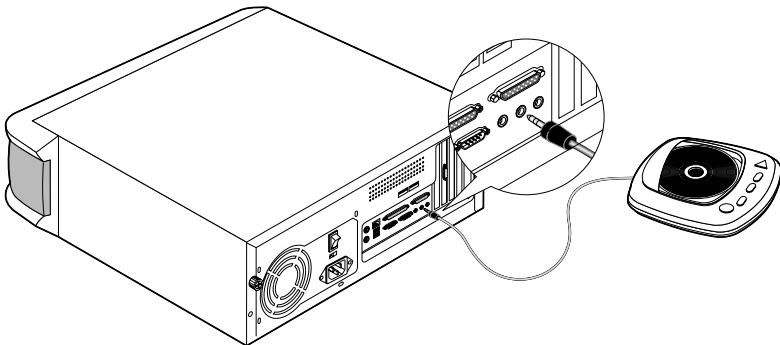
Note: To adjust the volume of the headphones, click on the Volume icon located on the taskbar at the bottom of your screen. When the volume control pops up, drag the Volume control lever to the desired level. You can also use the Volume control/mute knob on the USB keyboard.




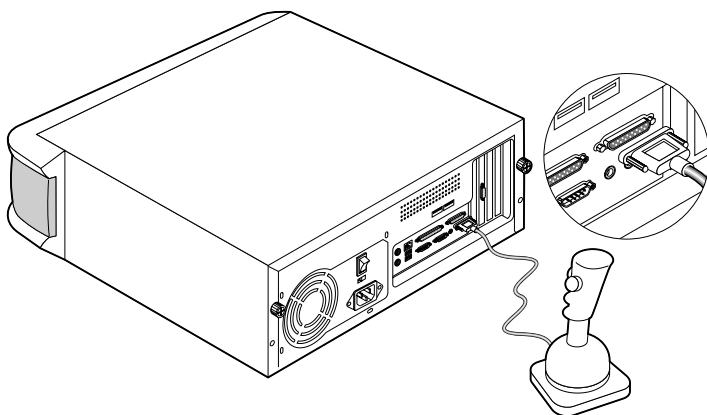
- external USB speakers: connect to the Audio-out/Line-out jack  (lime jack) and USB port  (black port) located on the rear panel of your computer.



- audio line-in device: connects to the Audio-in/Line-in jack  (light blue jack) located on the rear panel of your computer



- joystick: connects to the Game/MIDI port  (gold port) located on the rear panel of your computer



Note: For information on how to configure multimedia devices, consult the documentation that came with each device.

4 Upgrading your computer

This chapter contains instructions on how to upgrade your computer and basic information about your system boards that you will find helpful when performing the upgrade process.

Installation precautions

Before you install any computer component, we recommend that you read the following sections. These sections contain important ESD precautions along with preinstallation and post-installation instructions.

ESD precautions

Electrostatic discharge (ESD) can damage your processor, disk drives, expansion boards, and other components. Always observe the following precautions before you install a computer component:

- 1 Do not remove a component from its protective packaging until you are ready to install it.
- 2 Wear a wrist grounding strap and attach it to a metal part of the computer before handling components. If a wrist strap is not available, maintain contact with the computer throughout any procedure requiring ESD protection.

Preinstallation instructions

Always observe the following before you install any component:

- 1 Turn off your computer and all the peripherals connected to it before opening it. Then unplug all cables from the power outlets.
- 2 Open your computer according to the instructions on page 49.
- 3 Follow the ESD precautions described above when handling a computer component.
- 4 Remove any expansion board(s) or peripheral(s) that block access to the DIMM sockets or other component connector.



.....
Warning! Failure to turn off the computer properly before you start installing components may cause serious damage.

Do not attempt to open, upgrade and reconfigure your computer unless you are a qualified service technician.

See the following sections for specific instructions on the component you wish to install.

Post-installation instructions

Observe the following after installing a computer component:

- 1 See to it that all components are installed according to the step-by-step instructions in their respective sections.
- 2 Replace any expansion board(s) or peripheral(s) that you removed earlier.
- 3 Connect the necessary cables.
- 4 Replace the computer cover.
- 5 Turn on the computer.

Opening your computer

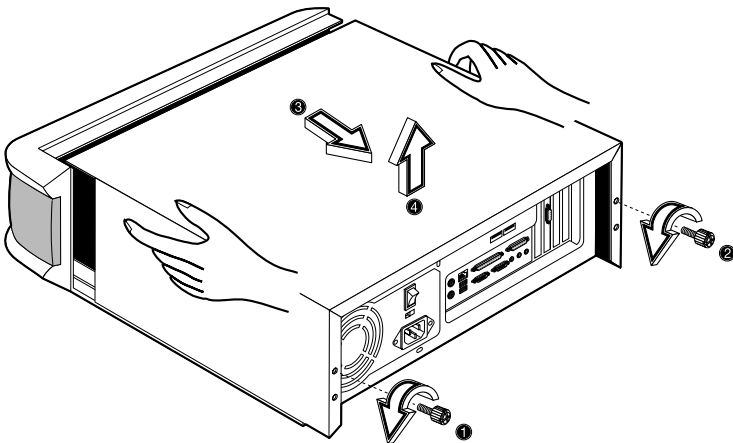


Caution: Before you proceed, make sure that you have turned off your computer and all peripherals connected to it. Read the “Preinstallation instructions” on page 47.

You need to open your computer before you can install additional components. See the following section for instructions.

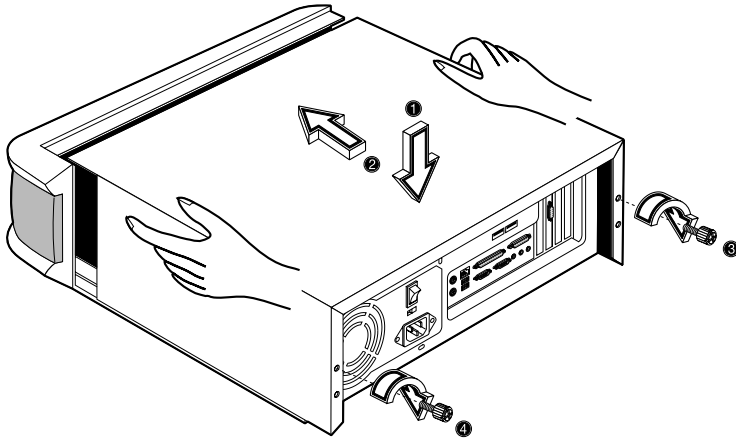
To remove the computer cover

- 1 Turn off your computer and unplug all cables.
- 2 Place your computer on a flat, steady surface.
- 3 Turn the thumbscrews counterclockwise with your fingers to release the cover.
- 4 Hold the cover with both hands. Slide it back about an inch and then gently pull it upward to detach it.



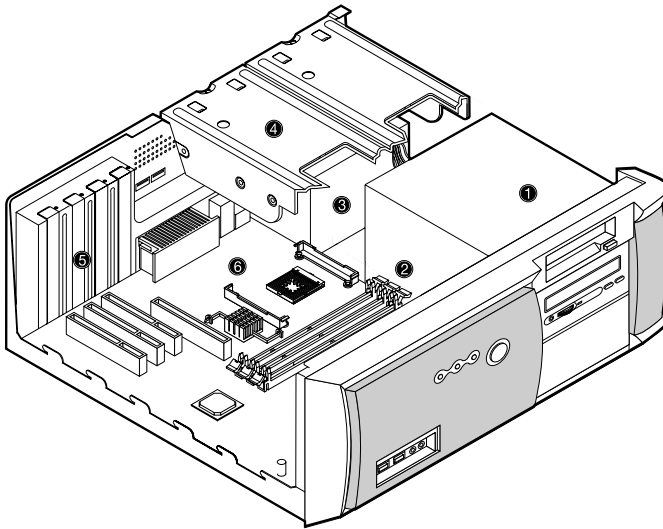
To replace the computer cover

- 1 Align the cover to the housing frame and then push it in to slide it back into place.
- 2 Turn the thumbscrews clockwise to secure the cover.



Internal components

The figure below shows what your computer looks like once you remove the cover:

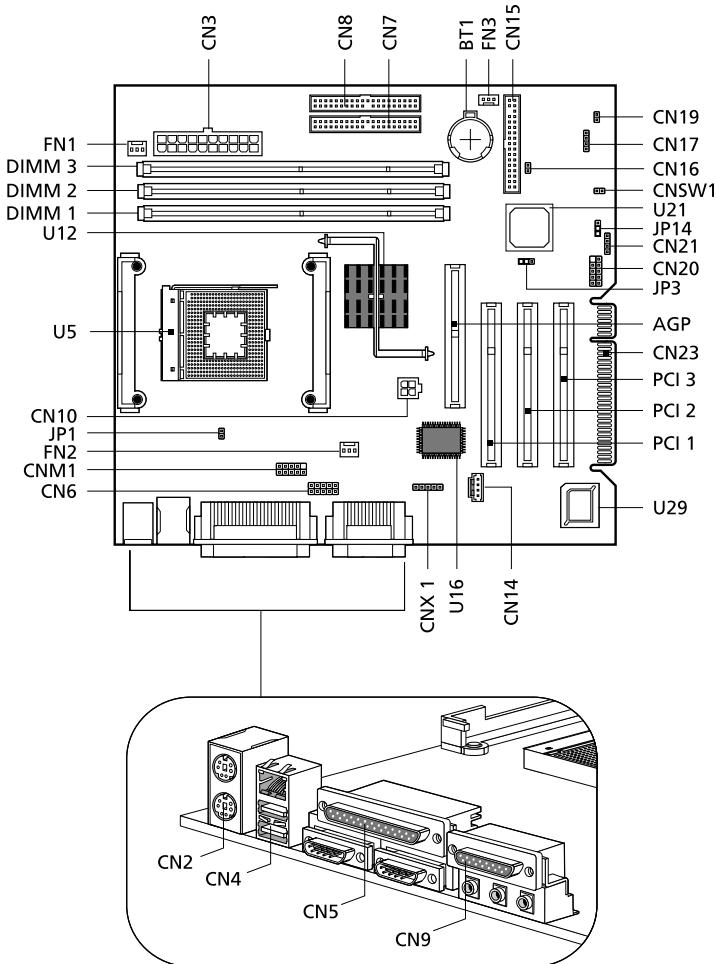


No.	Component
1	3.5-inch drive bay
2	5.25-inch drive bay
3	Power supply
4	Metal brackets (hard disk drive frame)
5	Expansion slots
6	Mainboard

System boards

Mainboard layout

The mainboard becomes accessible once you open your computer. It should look like the figure shown below:



Label	Component
AGP	AGP slot
BT1	Battery
CN2	PS/2 mouse (upper) and keyboard (lower) ports
CN3	Power connector
CN4	Network (upper) and USB (lower) ports
CN5	Serial port (lower right and left) and parallel port (upper)
CN6	Memory stick connector
CN7	IDE 2 connector
CN8	IDE 1 connector
CN9	MIDI/game (upper), line-out (left), line-in (middle), and rear mic-in (right) ports
CN10	Power connector (12 V power)
CN14	CD-in connector
CN15	FDD Connector
CN16	Intrusion connector
CN17	HDD LED connector
CN19	Power button
CN20	Front USB connector
CN21	Power/Suspend LED connector
CN23	EXT PCI slot
CNM1	SmartCard (COM 2) connector ¹
CNSW1	IDE cold-swap connector
CNX1	Audio FPIO connector
DIMM 1-3	DIMM sockets 1-3

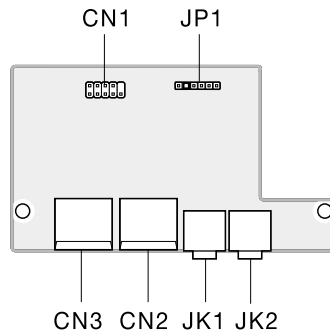
Label	Component
FN1	3-pin CPU fan connector
FN2	3-pin system fan connector
FN3	3-pin system fan connector
JP1	LAN active LED connector
JP3	Model select
JP14	1-2 Clear CMOS 2-3 Normal ²
PCI1 to 3	PCI slots 1 to 3
U5	CPU socket
U12	Intel 845 chipset
U16	SMSC chipset
U21	Intel ICH2 chipset
U29	BIOS chipset

¹ Share connection with serial port 2 (COM 2)

² Default value

Audio board

The audio board that came with your computer should look like the figure that follows.



Label	Description
JP1	Audio connector - connects to the AUDIO2 connector of the mainboard
CN1	USB connector - connects to the USB2 connector of the mainboard
CN2 and CN3	USB ports
JK1	Microphone-in port (front)
JK2	Audio-out port



Note: The system has two microphone-in ports (front and rear). However, you can not use both of them at the same time. The default setting for your system enables the microphone-in port in front and disables the one at the back. Refer to your online guide for instructions on how to enable the rear microphone-in port.

Upgrading your computer

Certain components of your computer are upgradeable such as the memory, the hard disk and the expansion cards. However, for safety purposes, we do not recommend that you perform these upgrades yourself. If you want to replace or upgrade any of these components, contact your dealer or a qualified service technician for assistance.

Installing additional memory

The three 168-pin sockets on the mainboard support Synchronous Dynamic Random Access Memory (SDRAM)-type DIMMs. You may install 32-MB, 64-MB, 128-MB, 256-MB, 512-MB or 1-GB capacity DIMMS, single and double density, for a maximum memory capacity of 3 GB.

The SDRAM DIMMs should work under 3.3 volts; 5-volt memory devices are not supported. PC-100 (100MHz) and PC-133 (133 MHz) SDRAM are supported. Contact your dealer for qualified DIMM vendors.



Caution: Do not install and use both PC-100 and PC-133 SDRAM together. Such a combination might cause your computer to malfunction.

Each of the DIMM sockets is independent from each other. This independence allows you to install DIMMs with different capacities to form different configurations.



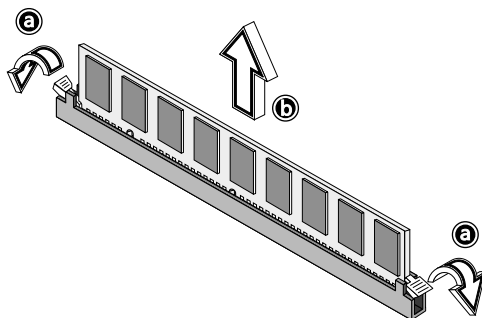
Note: Observe the “ESD precautions” on page 47 when installing or removing a computer component.

To remove a DIMM

Before you can install a new DIMM in a socket, remove first any previously installed DIMM.

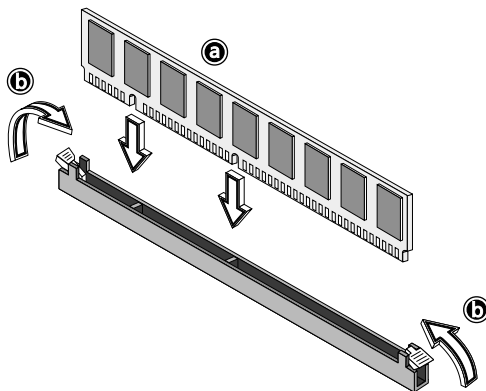
- 1 Remove the computer cover.
- 2 Locate the DIMM socket on the mainboard.
- 3 Press the holding clips on both sides of the DIMM socket outward to release the DIMM (a).

- 4 Gently pull the DIMM upward to remove it from the socket (b).



To install a DIMM

- 1 Locate the DIMM socket on the mainboard.
- 2 Open the clips on the socket.
- 3 Align then insert the DIMM into the socket (a).
- 4 Press the clips inward to lock the DIMM into the socket (b).



Note: The DIMM sockets are slotted to ensure proper installation. If you insert a DIMM but it does not fit easily into the socket, you may have inserted it incorrectly. Turn the DIMM and try to insert it again.

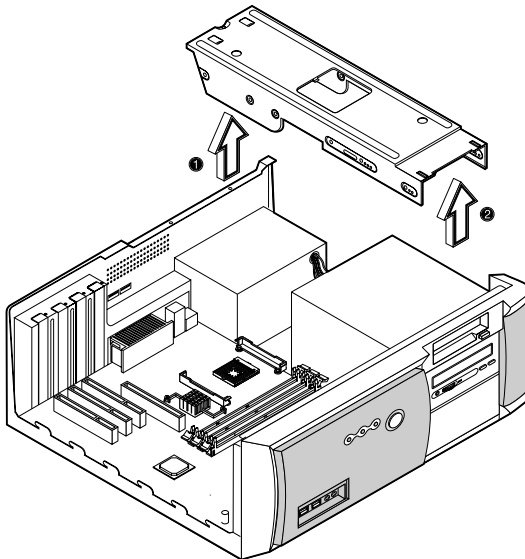
To reconfigure your computer

Your computer automatically detects the amount of additional memory installed. Run the BIOS Setup utility to view the new value for total system memory and make a note of it. For more information on BIOS, refer to the Veriton 5200 online guide (see “Accessing your online guide” on page 5).

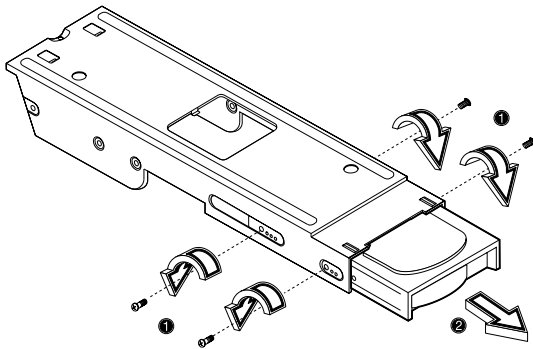
Replacing the hard disk

Follow these steps to replace your computer’s hard disk:

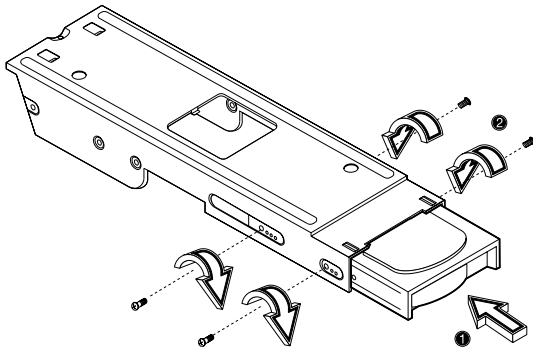
- 1 Remove the computer cover.
- 2 Detach the power and disk drive cables from the hard disk.
- 3 Remove the screw that secures the metal bracket frame to the housing.
- 4 Lift up the metal bracket and pull it out.



- 5 Remove the four screws that hold the hard disk to the disk frame and detach the hard disk. Set the screws aside.

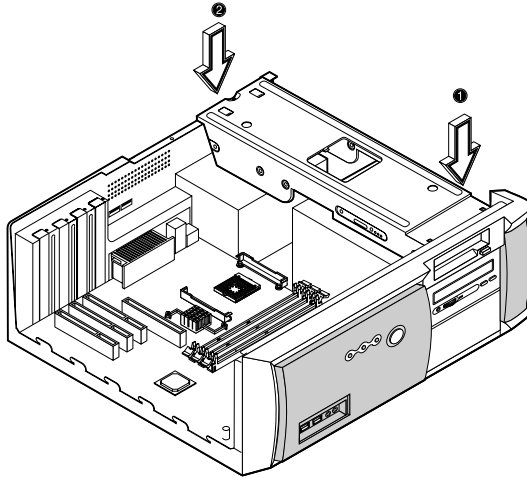


- 6 Insert the new hard disk into the frame and secure it with four screws. .



Note: Make sure that the other ends of the disk cables are securely connected to their corresponding connectors on the mainboard.

- 7 Reinstall the metal bracket frame to the housing.



- 8 Connect the power and disk drive cables to the hard disk.
- 9 Replace the computer cover.

Installing an expansion card

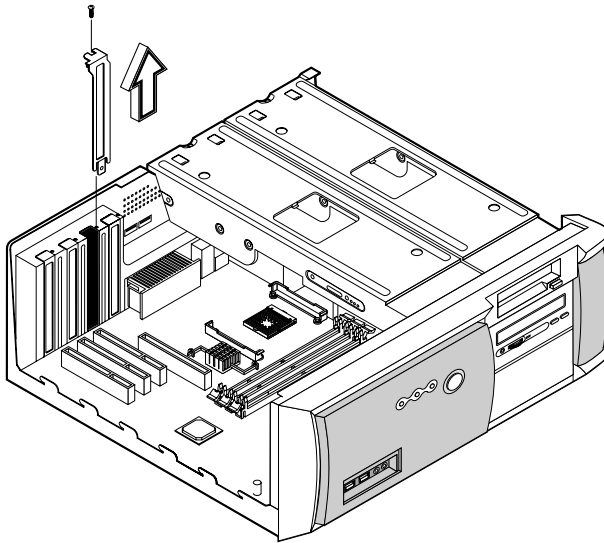


Note: Observe the “Preinstallation instructions” on page 47 when installing or removing a computer component.

To install an expansion card:

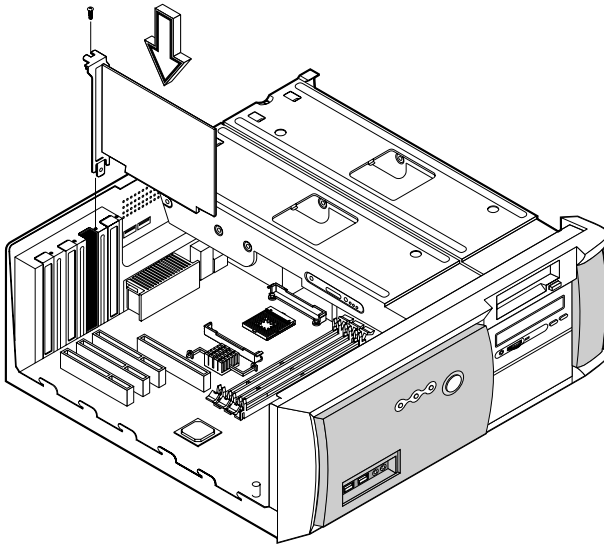
- 1 Remove the computer cover.
- 2 Locate an empty PCI slot on the mainboard.
- 3 Remove the screw that holds the bracket to the computer. Save the screw.

- 4 Pull out the bracket on the housing opposite the selected empty slot.



- 5 Remove the expansion card from its protective packaging.
- 6 Align the card in the empty bracket and then insert it into the slot. Make sure that the card is properly seated.

- 7 Secure the card to your computer with a screw.



- 8 Replace the computer cover.

When you turn on the computer, BIOS automatically detects and assigns resources to the newly-installed devices.

5 System utilities

This chapter describes the applications that came with your computer.

System utilities

Depending on the hardware and optional features installed in your Veriton 5200 computer, your system came bundled with several program utilities designed to streamline your computer's operations. These utilities may include any of the following:

- Acrobat® Reader™
- LANDesk Client Manager (LDCM)
- Norton AntiVirus
- NTI CD-Maker 2000
- PowerDVD
- VariSpeed
- BIOS utility

All these applications are very easy to use. However, if you need more help and information, you may refer to the online help of each of these software applications.

Acrobat Reader

Acrobat® Reader™ is a software that lets you view, navigate, browse and print Adobe Portable Document Format (PDF) files in all major computer platforms. Acrobat Reader allows you to open your document across a broad range of hardware and software systems with all its features - layout, fonts, links and images, intact.

To run Acrobat Reader, double-click the Acrobat Reader icon on your Windows's desktop.

For more information about Acrobat Reader, refer to its Help menu.

LANDesk Client Manager (LDCM)

LANDesk Client Manager (LDCM) allows desktop management via the Web, standard network, or dial-up connections. It is compatible with the leading management specifications, such as Wired for Management 2.0, Desktop Management Interface (DMI) v2.0, and others.

To run LDCM:

- 1 Double-click the LDCM icon on your Windows desktop.

- 2 Follow all onscreen instructions.

For more information on how to use LDCM, refer to the LDCM Help menu.



Note: LDCM only supports models running on Windows Me and Windows 2000.

Norton AntiVirus

Norton AntiVirus is an antivirus software which detects and repairs infected files in your system. It also serves as an antivirus shield by scanning email attachments to ensure that no infected file disturbs the integrity of your system data.

To install Norton AntiVirus:

- 1 Double-click the Norton AntiVirus icon on your Windows desktop.
- 2 Follow all onscreen instructions until you finish installation.



Note: After you finish installing the Norton AntiVirus software, the system will automatically remove the Norton AntiVirus installer icon from your Windows desktop.

For more information about Norton AntiVirus, refer to the Norton AntiVirus Help menu.

NTI CD-Maker 2000 (for models with CD-RW)

The NTI CD-Maker 2000 is a CD-recording software which lets you create and copy audio, data and video files to CD-R/W discs. Available only on models with CD-RW drive installed.

To run NTI CD-Maker 2000:

- 1 Double-click the NTI CD-Maker 2000 icon on your Windows desktop.
- 2 Follow all onscreen instructions.

For more information on how to use the NTI CD-Maker 2000, refer to the NTI CD-Maker 2000 Help menu.

PowerDVD (for models with DVD)

PowerDVD is a high-quality DVD player software which allows you to enjoy your favorite movies and karaoke right at your desktop. You can play back high resolution DVD titles or MPEG-2 files in MPEG-2 video and Dolby Digital (AC-3) audio. Available only on models with DVD-ROM installed.

PowerDVD offers a complete set of navigation commands and provides such advanced features as multi-angle switching, multi-language and multi-subtitle selection, and parental control option making each multimedia session an individual experience. The i-Power Internet Enabling feature lets you link to online DVD resources via the Power DVD Desktop Portal Page.

To run PowerDVD:

- 1 Double-click the PowerDVD icon on your Windows desktop.
- 2 Follow all onscreen instructions.

For more information about PowerDVD, refer to the PowerDVD Help menu.

VariSpeed (Windows Me only)

VariSpeed is a utility program which allows you to set the CD-ROM speed to your desired level. This feature lets you reduce the noise level of the CD-ROM drive.

To set the speed of the CD-ROM drive, double-click on the VariSpeed icon on the taskbar and choose the Set Speed tab. The Set Speed screen will appear. Drag the lever to the desired level. VariSpeed is a utility program which allows you to control the CD-ROM speed to reduce its noise level.



.....

Note: This utility is only available for models running on Windows Me with an AOpen CD-ROM installed.

BIOS Setup utility

The BIOS Setup utility is a hardware configuration program built into your computer's Basic Input/Output System (BIOS). Since most computers are already properly configured and optimized, there is no

need to run this utility. However, if you encounter configuration problems and get the "Run Setup" message, you will need to run this utility.



Note: Before you run BIOS, make sure that you have saved all open files. The computer reboots immediately after you exit Setup.

To run the BIOS utility, press the key combination **Ctrl+Alt+Esc**. For more information about BIOS and how to configure your computer, refer to the Veriton 5200 online guide (see "Accessing the online guide" on page 5).

Reinstalling programs

If you uninstall one of the preinstalled programs and want to reinstall it, do the following:

- 1 Make sure that the system is turned on.
- 2 Insert the **System CD** into the CD or DVD drive.
- 3 Follow all onscreen instructions.
- 4 Remove the **System CD** and insert the **Recovery CD** into the CD or DVD drive.
- 5 After the operating system has been copied to your hard disk, remove the **Recovery CD** and insert the **System CD** into the CD or DVD drive.
- 6 Follow all onscreen instructions until you finish the installation.
- 7 Reboot your computer.



.....

Caution! Using the Recovery CD will erase all files previously saved in your computer so make sure to back up your important files before starting the recovery process. Make sure that the Systems CD/Recovery CD is properly inserted into the CD or DVD drive. Improper insertion may damage both the CD and the drive.

6 Frequently asked questions

This chapter instructs you on how to deal with common system problems. Read it before calling a technician if a problem occurs. Solutions to more serious problems require opening up the computer. Do not attempt to open the computer by yourself. Contact your dealer or an authorized service center for assistance.

key link: www.acersupport.com.

FAQs

Acer is dedicated in bringing you a reliable and easy to maintain computer. However, we realize that some problems may arise unexpectedly. Below are possible questions that may arise during the use of your computer with corresponding easy troubleshooting solutions to the situation.

Q: I pressed the power button on but the system did not boot up.

A: Check the power indicator.

If the indicator is not lit, no power is being applied to the system. Do the following:

- Check if you plugged the power cable properly into an electrical outlet.
- Check if the main power switch located on the rear panel of the computer is turned on.
- Check if the voltage selector switch located on the rear panel of the computer is set to the correct voltage.
- If you are using a power strip or AVR, make sure that it is plugged in and turned on.

If the indicator is lit, check the following:

- Is a nonbootable (nonsystem) diskette in the floppy drive? If yes, remove or replace it with a system diskette and press **Ctrl + Alt + Del** to restart your computer.
- The operating system files may be damaged or missing. Insert the startup disk you created during Windows setup into the floppy drive and press **Ctrl + Alt + Del** to restart your computer. This will automatically diagnose your system and make necessary fixes. However, if the diagnostic utility still reports a problem, then you may have to perform the recovery process to restore your system to its original default factory settings.



.....

Caution! Using the Recovery CD will erase all files previously saved in your computer so make sure to back up your important files before starting the recovery process. Refer to your Veriton 5200 online guide for instructions on the recovery process.

Q: Nothing appears on the screen.

A: Your computer's power management function automatically blanks the screen to save power. Press any key to turn the display back on.

If pressing a key does not work, you can restart your computer. If restarting your computer does not work, contact your dealer or the technical support center for support.

Q: My printer does not work.

A: Do any the following:

- Make sure that the printer cable is connected to a power outlet and that it is turned on.
- Make sure that the printer cable is securely connected to the computer. See "Connecting your printer" on page 37 for information on how to connect a printer to your computer.
- For additional information concerning the printer, refer to the printer's documentation.

Q: No sound comes out from the computer.

A: Check the following:

- The volume may be muted. Under Windows, look for the volume control icon on the taskbar. If it is crossed-out, click on the icon and deselect the **Mute** option. You could also press the volume control/mute knob on your USB keyboard to toggle from mute to sound on.
- If headphones, earphones, or external speakers are connected to the line-out port of your computer, the internal or built-in speakers are automatically turned off.

Q: System cannot read a diskette, the hard disk, CD or DVD.

A: Check the following:

- Make sure that you are using the correct type of disc or diskette. See "Disk drives" on page 18.
- Check if the diskette is formatted correctly. If not, format it again.
- Make sure the diskette or CD/DVD is properly inserted in the drive.
- Check if the CD/DVD is clean and is not scratched.

- Check your drive by using a good (i.e., undamaged) diskette or a good CD/DVD. If your floppy drive, CD-ROM/DVD-ROM/CD-RW drive cannot read the information on the good diskette or CD/DVD, there may be a problem with the drive. Contact your dealer or technical support center for assistance.

Q: System cannot write to a diskette or disc.

A: Check the following:

- Make sure the diskette is not write-protected. See "Disk drives" on page 18.
- Make sure that you are using the correct type of disc or diskette. See "Disk drives" on page 18.
- Check if the diskette is formatted correctly. If not, format it again.

Index

B

BIOS Setup utility 67

C

computer cover
 remove 49
 replace 50
 computer maintenance 4
 CDs/DVDs 19
 cleaning 4
 diskettes 18
 servicing 4
 connecting options
 multimedia devices 41
 audio line-in device 43
 earphones/headphones 42
 external speakers 41
 joystick 41
 microphone 41
 network 37, 38
 printer 37

D

disk drives 18
 CD-ROM/DVD-ROM/CD-RW drive
 19
 inserting 20
 floppy drive 18
 not write protect 19
 write protect 18
 hard disk drive 18

F

features 9
 connectivity 9
 multimedia 9
 performance 9
 front panel 10

I

internal components 51

K

keyboard 14

M

mouse 17

O

online guide 5

Q

Q&A 73

R

rear panel 12

S

setting up computer 25, 27
 area 25
 chair 25
 connecting peripherals
 external monitor 32
 keyboard 27
 power cable 33
 keyboard 26
 monitor 26
 mouse 26
 system boards 52
 audio board 55
 mainboard 52
 system utilities 65
 Acrobat Reader 65
 LDCM 65
 Norton AntiVirus 66
 NTI CD-Maker 2000 66
 PowerDVD 67
 reinstalling programs 69
 VariSpeed 67

T

technical assistance 5
 troubleshooting 73
 turning off computer 36
 software shutdown 36
 suspend mode 36
 turning on computer 34
 34

U

upgrade
 add memory 56
 install DIMM 57
 reconfigure computer 58

remove DIMM	56	post-installation	48
computer	52, 56	preinstallation	56
install an expansion card	60	replace components	52, 56
installation precautions	56	replace the hard disk	58
ESD	56	USB devices	39