
HP OmniBook XE Series

Setup Guide

Notice

This manual and any examples contained herein are provided “as is” and are subject to change without notice. Hewlett-Packard Company makes no warranty of any kind with regard to this manual, including, but not limited to, the implied warranties of merchantability and fitness for a particular purpose. Hewlett-Packard Co. shall not be liable for any errors or for incidental or consequential damages in connection with the furnishing, performance, or use of this manual or the examples herein.

Consumer transactions in Australia and the United Kingdom: The above disclaimers and limitations shall not apply to Consumer transactions in Australia and the United Kingdom and shall not affect the statutory rights of Consumers.

© Copyright Hewlett-Packard Company 1999. All rights reserved. Reproduction, adaptation, or translation of this manual is prohibited without prior written permission of Hewlett-Packard Company, except as allowed under the copyright laws.

The programs that control this product are copyrighted and all rights are reserved. Reproduction, adaptation, or translation of those programs without prior written permission of Hewlett-Packard Co. is also prohibited.

Portions of the programs that control this product may also be copyrighted by Microsoft Corporation, SystemSoft Corp., Crystal Semiconductor Corporation, Phoenix Technologies, Ltd., Silicon Motion Corporation, ESS, and Adobe Systems Incorporated.. See the individual programs for additional copyright notices.

Microsoft, MS, MS-DOS, Windows, and Windows NT are registered trademarks of Microsoft Corporation. Pentium and the Intel Inside logo are U.S. registered trademarks and MMX is a U.S. trademark of Intel Corporation. TrackPoint is a U.S. registered trademark of International Business Machines. Adobe and Acrobat are trademarks of Adobe Systems Incorporated.

Hewlett-Packard Company
Mobile Computing Division
19310 Pruneridge Ave.
Cupertino, CA 95014

HP Software Product License Agreement

Your HP OmniBook PC contains factory-installed software programs. Please read the Software License Agreement before proceeding.

Carefully read this License Agreement before proceeding to operate this equipment. Rights in the software are offered only on the condition that the customer agrees to all terms and conditions of the License Agreement. Proceeding to operate the equipment indicates your acceptance of these terms and conditions. If you do not agree with the terms of the License Agreement, you must now either remove the software from your hard disk drive and destroy the Recovery CD, or return the complete computer and software for a full refund.

Proceeding with configuration signifies your acceptance of the License Terms.

Unless otherwise stated below, this HP Software Product License Agreement shall govern the use of all software that is provided to you, the customer, as part of the HP computer product. It shall supersede any non-HP software license terms that may be found online, or in any documentation or other materials contained in the computer product packaging.

Note: Operating System Software by Microsoft is licensed to you under the Microsoft End User License Agreement (EULA) contained in the Microsoft documentation.

The following License Terms govern the use of the software:

Use. Customer may use the software on any one computer. Customer may not network the software or otherwise use it on more than one computer. Customer may not reverse assemble or decompile the software unless authorized by law.

Copies and Adaptations. Customer may make copies or adaptations of the software (a) for archival purposes or (b) when copying or adaptation is an essential step in the use of the software with a computer so long as the copies and adaptations are used in no other manner.

Ownership. Customer agrees that he/she does not have any title or ownership of the software, other than ownership of the physical media. Customer acknowledges and agrees that the software is copyrighted and protected under the copyright laws. Customer acknowledges and agrees that the software may have been developed by a third party software supplier named in the copyright notices included with the software, who shall be authorized to hold the Customer responsible for any copyright infringement or violation of this Agreement.

Product Recovery CD-ROM. If your computer was shipped with a product Recovery CD-ROM: (i) The product recovery CD-ROM and/or support utility software may only be used for restoring the hard disk of the HP computer with which the

product recovery CD-ROM was originally provided. (ii) The use of any operating system software by Microsoft contained in any such product recovery CD-ROM shall be governed by the Microsoft End User License Agreement (EULA).

Transfer of Rights in Software. Customer may transfer rights in the software to a third party only as part of the transfer of all rights and only if Customer obtains the prior agreement of the third party to be bound by the terms of this License Agreement. Upon such a transfer, Customer agrees that his/her rights in the software are terminated and that he/she will either destroy his/her copies and adaptations or deliver them to the third party.

Sublicensing and Distribution. Customer may not lease, sublicense the software or distribute copies or adaptations of the software to the public in physical media or by telecommunication without the prior written consent of Hewlett-Packard.

Termination. Hewlett-Packard may terminate this software license for failure to comply with any of these terms provided Hewlett-Packard has requested Customer to cure the failure and Customer has failed to do so within thirty (30) days of such notice.

Updates And Upgrades. Customer agrees that the software does not include updates and upgrades which may be available from Hewlett-Packard under a separate support agreement.

Export Clause. Customer agrees not to export or re-export the software or any copy or adaptation in violation of the U.S. Export Administration regulations or other applicable regulation.

U.S. Government Restricted Rights. Use, duplication, or disclosure by the U.S. Government is subject to restrictions as set forth in subparagraph (c)(1)(ii) of the Rights in Technical Data and Computer Software clause in DFARS 252.227-7013. Hewlett-Packard Company, 3000 Hanover Street, Palo Alto, CA 94304 U.S.A. Rights for non-DOD U.S. Government Departments and Agencies are as set forth in FAR 52.227-19(c)(1,2).

Edition History

Edition 1 April 1999



This manual is printed on recycled paper.

Contents

Introducing the OmniBook	9
Taking Inventory.....	10
Software bundled on your OmniBook.....	10
To buy OmniBook accessories.....	11
To find more information.....	12
Identifying the Parts of the OmniBook.....	13
OmniBook front view.....	13
OmniBook side view.....	14
OmniBook bottom view.....	15
OmniBook rear view.....	16
Status lights.....	17
CD-ROM drive buttons.....	18
Setting Up the OmniBook.....	19
To install the battery.....	19
To connect AC power.....	20
To connect a phone line.....	21
To turn on the OmniBook.....	21
To set up Windows.....	22
To register your OmniBook.....	23
To connect to an Internet Service Provider.....	24
Using the OmniBook	25
Operating the OmniBook.....	26
To use the Fn hot keys.....	26
To use the Windows keys.....	26
To use the embedded keypad.....	27
To adjust the display.....	27
To adjust the volume.....	27
To use the touch pad.....	28
Expanding the OmniBook.....	29
To install RAM modules.....	29
To remove RAM modules.....	30
To replace a hard disk drive.....	31
Working in Comfort.....	32
About Repetitive Strain Injury.....	32
Preparing Your Work Environment.....	34
Setting Up Your HP Computing Equipment.....	37
Comfort and Safety Checklist.....	42
Your HP OmniBook Computer.....	44
Caring for Your OmniBook.....	46

To protect your hard disk drive	46
To take care of your OmniBook.....	46
To safeguard your data	47
To extend the life of the display	47
To get the most from your batteries.....	47
To clean your OmniBook	48
Traveling with Your OmniBook.....	49
Managing Power Consumption	50
To use manual power management with Windows 98.....	50
Using Battery Power	52
To check the battery status.....	52
To respond to a low-battery warning	53
Service and Support.....	55
Hewlett-Packard Limited Warranty Statement.....	56
Getting HP OmniBook Assistance	58
Support Assistance	58
Electronic Support Services.....	58
Repair Assistance.....	59
Customer Care Centers.....	59
Solving Problems with your OmniBook	61
Troubleshooting Techniques	62
Using the Recovery CD	63
To recover the factory installation of Windows.....	63
To replace a damaged Recovery CD.....	64
Obtaining Repair Service.....	65
Specifications and Regulatory Information	67
Hardware and Software Specifications.....	68
Safety Information	69
Power Cords	69
Battery Safety.....	70
Laser Safety.....	71
LED Safety.....	71
Regulatory Information.....	72
U.S.A.	72
Canada	73
Japan	73
International.....	74

Index77

Introducing the OmniBook

Taking Inventory

- HP OmniBook XE.
- Main battery (HP F1739A or HP F1742A).
- AC adapter (HP F1740A or HP F1454A) and power cord.
- Telephone cord—if your OmniBook includes a modem.
- Quick Start sheet.
- The OmniBook *Setup Guide*.
- OmniBook Recovery CD, which includes Windows recovery and Windows drivers.
- Microsoft Windows manual (Windows 95, Windows 98, or Windows NT).

Software bundled on your OmniBook

Software	Function
VirusScan	Protects your OmniBook from files which can be harmful. See "To set up the VirusScan Utility" in the online <i>User's Guide</i> .
Electronic Registration	Permits quick and easy registration of your OmniBook. See "To register your OmniBook" on page 23 for details.
My Yahoo!	Provides access to Yahoo! website, including customizable My Yahoo! website in regions where available (not included with Windows NT 4.0).
HP DiagTools	Provides basic and advanced hardware diagnostic tests.
Adobe Acrobat Reader	Allows you to read documents in Acrobat format, which is used frequently on the Web.
Phoenix Advanced Power Management	For Windows NT 4.0 only, helps you to optimize your system and battery life.
Phoenix Card Executive	For Windows NT 4.0 only, allows you to use PC Cards.

To buy OmniBook accessories

Buy OmniBook accessories online! For the latest accessories and options, visit us at www.hp.com/omnibook. As new accessories become available, you'll find them listed here.

At the time of this printing, HP offers the following accessories and replacement modules.

- Port replicator (HP F1738A).
- Auto/airline adapter (HP F1455A).
- AC adapter (HP F1454A).
- Primary lithium ion battery (HP F1739A).
- Y adapter for mouse and keyboard (HP F1469A).
- Additional RAM—HP standard:
 - 64 MB (F1457A)
 - 128 MB (F1622A)

To find more information

Congratulations! Your OmniBook sets a new standard in personal computing. It is compact and easy to carry, and is infused with the quality and attention to detail that are the hallmark of Hewlett-Packard.

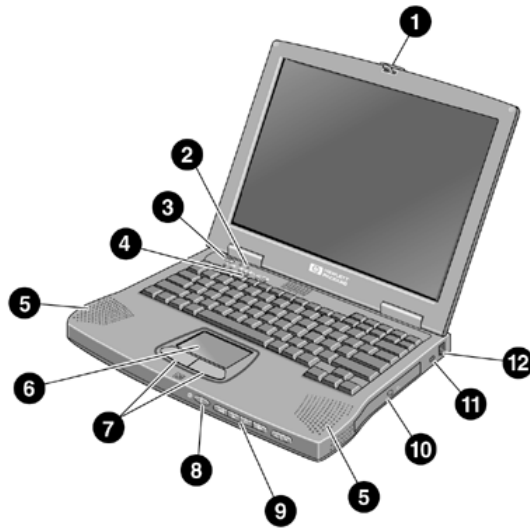
The OmniBook *Quick Start* sheet shows how to get your OmniBook up and running quickly. This *Setup Guide* shows how to set up and operate the OmniBook and where to go for help if you run into trouble.

This table lists other sources of supplementary information about OmniBook products.

Source	Description
Online OmniBook <i>User's Guide</i>	This online guide introduces the OmniBook and shows you the OmniBook basics (Start, Programs, OmniBook Library—or double-click the desktop icon).
OmniBook Notes	This document contains late-breaking information available after the manuals were completed (Start, Programs, OmniBook Library—or double-click the desktop icon).
The introductory Microsoft manual for Windows.	This is shipped with your OmniBook and contains information about using the standard features of Microsoft Windows (Windows 95, Windows 98, or Windows NT, depending on which operating system your computer is shipped with).
OmniBook website	www.hp.com/omnibook www.europe.hp.com/omnibook (European mirror)
HP Customer Care website	www.hp.com/cposupport/eschome.html

Identifying the Parts of the OmniBook

OmniBook front view



- 1 Latch to open the OmniBook
- 2 Built-in microphone
- 3 Blue power button
- 4 Status lights
- 5 Built-in speakers
- 6 Touch pad (pointing device)
- 7 Click buttons
- 8 CD player power (on selected models)

Introducing the OmniBook

Identifying the Parts of the OmniBook

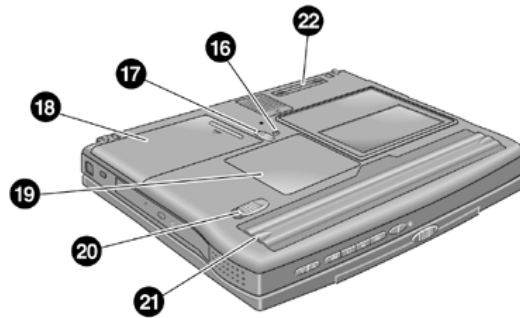
- 9 CD player buttons (on selected models)
- 10 CD-ROM drive
- 11 Kensington lock slot (security connector)
- 12 Modem phone jack (on selected models)

OmniBook side view



- 13 PC Card eject buttons
- 14 PC Card and CardBus slots (upper and lower)
- 15 Floppy disk drive

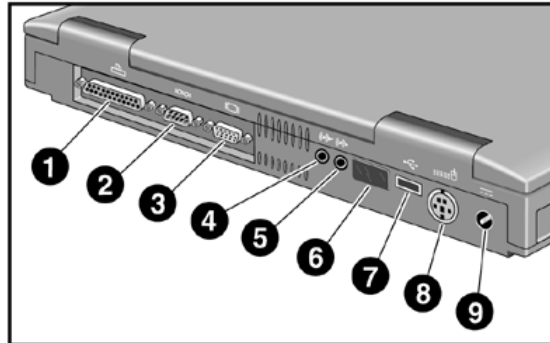
OmniBook bottom view



- 16 System-off button
- 17 Hard disk drive latch and locking screw
- 18 Hard disk drive
- 19 RAM expansion cover
- 20 Battery latch
- 21 Battery
- 22 Port replicator connector

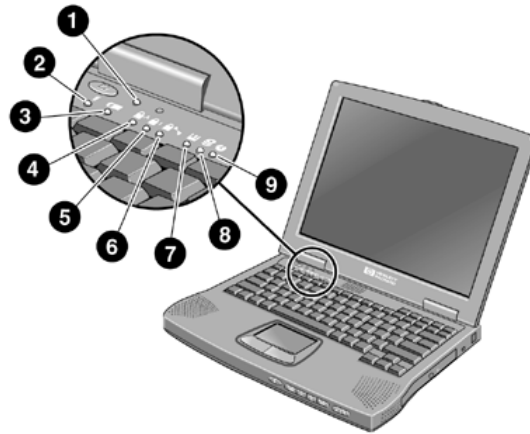
Introducing the OmniBook
Identifying the Parts of the OmniBook

OmniBook rear view



- 1 Parallel port
- 2 Serial port
- 3 VGA port (external monitor)
- 4 Audio out (external speaker)
- 5 Microphone jack
- 6 Infrared port
- 7 USB port
- 8 PS/2 port
- 9 AC adapter jack

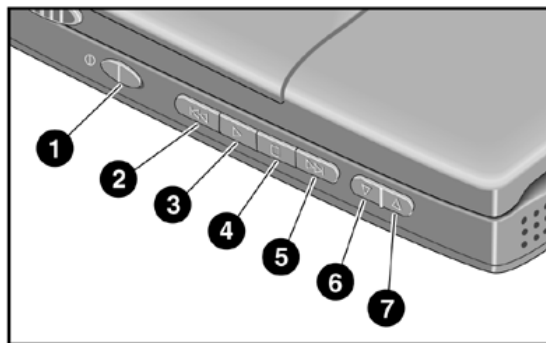
Status lights



- 1 Power
- 2 AC connected
- 3 Battery
- 4 Caps Lock
- 5 Num Lock
- 6 Scroll Lock
- 7 Floppy disk drive access
- 8 Hard disk drive access
- 9 CD-ROM access

CD-ROM drive buttons

Selected OmniBook models have CD-ROM buttons on the front. Use these buttons to play music CDs when the system is off. (When the system is on, use the software controls in the Windows operating system.)



- 1 Power (slide to turn on or off)
- 2 Previous track
- 3 Play
- 4 Stop
- 5 Next track
- 6 Volume control down
- 7 Volume control up

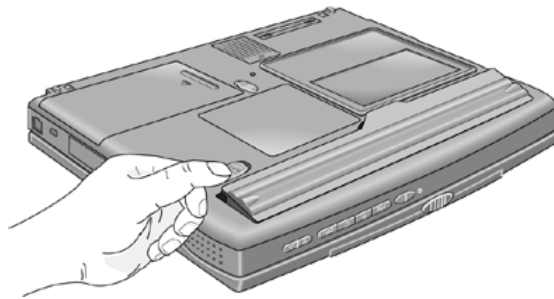
Setting Up the OmniBook

To install the battery

WARNING

Do not mutilate, puncture, or dispose of batteries in fire. A battery can burst or explode, releasing hazardous chemicals. A rechargeable battery must be recycled or disposed of properly.

Insert the OmniBook battery into the battery bay on the bottom of your OmniBook by sliding the battery latch, as shown.



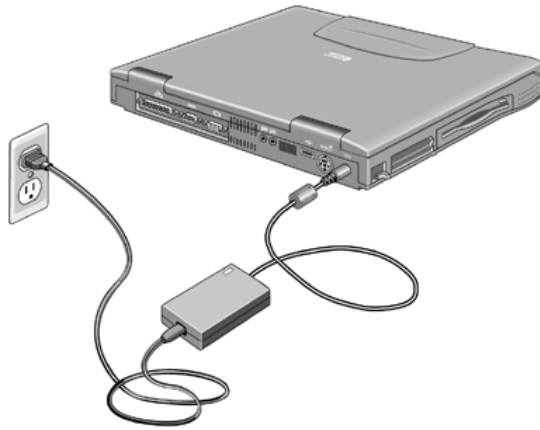
Once you have installed the battery, you simply connect the AC adapter to the OmniBook and recharge the battery while you work. You can also replace a low battery with another that is more fully charged.

To connect AC power

CAUTION

Use only the HP AC adapters intended for this product, model HP F1740A or HP F1454A. Using any other AC adapter can damage the OmniBook and may void your warranty. Refer to the warranty statement for your product.

Plug in the AC adapter, then connect the AC adapter to the rear of the OmniBook, as shown. The OmniBook battery starts charging.



To connect a phone line

Selected OmniBook models have a built-in modem. If your computer does not have one, you can instead use a PC Card modem or an external modem to connect to a phone line.

1. Plug one end of the phone cable into the (modem) phone jack on the OmniBook. Be sure the cable clicks into place.
2. Plug the other end of the phone line into a telephone jack.

CAUTION

If you have a modem built into your OmniBook, it may not work with multiple phone lines or a private branch exchange (PBX), cannot be connected to a coin-operated telephone, and does not work with party lines. Some of these connections may result in excess electrical voltage and could cause a malfunction in the internal modem. Check your telephone line type prior to connecting your phone line.

To turn on the OmniBook

Press the blue power button above the keyboard. Windows starts automatically. If you are turning on the OmniBook for the first time, go to “To set up Windows” on page 22.

The power status light (see “Status lights” on page 17) reports the following:

- Steady green light: OmniBook is on.
- Slow blinking: OmniBook is in System Standby or Suspend mode.
- No light: OmniBook is off or in Hibernate mode.

See “Managing Power Consumption” on page 50 for information about turning off your OmniBook.

Hint

If your OmniBook does not turn on when operating on battery power, the battery may be out of power. Plug in the AC adapter and press the blue power button again.

To set up Windows

The OmniBook has Microsoft Windows—Windows 95, Windows 98, or Windows NT—installed on the hard disk drive.

Before you begin, be sure to connect the AC adapter, since your battery may not be sufficiently charged to complete the Windows setup. Also, if you have a modem, connect the phone line.

1. Press the blue power button.
2. The Windows Setup program starts automatically.
3. Follow the instructions as they appear on the screen.

During setup, you are prompted to:

- Accept the License Agreement.
- Enter the Product ID (printed on the Certificate of Authenticity on the Microsoft Windows manual).
- Enter a user name; a password is optional.

To register your OmniBook

After you have set up Windows, be sure to register your OmniBook. Registering is free and fast, and it insures you will be promptly informed about new product information, product support, enhancements, and add-ons. The information that you provide during registration will be used by Hewlett-Packard and Microsoft to provide you better products and services.

There are three ways to register:

- by modem
- by phone
- by fax

By modem

If you have Windows 98, you are prompted automatically to register. To register by modem, make sure that you have connected the phone line, then follow the onscreen instructions.

If you have Windows 95 or Windows NT 4.0, you are not prompted to register, but you can register by modem if you double click the HP OmniBook Registration icon on the desktop. See that the phone line is connected, and follow the onscreen instructions.

If you choose not to register right away, you can register by modem later by double-clicking the Registration icon on the desktop. This icon disappears after you register.

By phone

You can call your HP Customer Care Center and register by phone. See “Customer Care Centers” on page 59 for phone numbers.

By fax

If a printer is connected to your computer, you can print a copy of your registration and register by fax. You will find the fax number on the registration form.

Hint

Be sure to provide a Personal Identifier during registration, such as your mother’s maiden name or any other short set of characters that you always remember. Whenever you call for service, this information allows us to authenticate you as the owner of this notebook.

Introducing the OmniBook
Setting Up the OmniBook

By completing registration, you will:

- Record your ownership of the OmniBook XE with Hewlett-Packard and gain access to service, support, and information.
- Record your ownership of the Windows 98 operating system with Microsoft. If you have Windows 95 or Windows NT 4.0, please contact Microsoft separately for registration of the operating system.

To connect to an Internet Service Provider

1. If your computer has a built-in modem, connect the included telephone cord to the modem. If your computer does not have a built-in modem, you can instead use a PC Card modem or an external modem to connect to an Internet Service Provider.
2. Click Start, Programs, Online Services and select one of the Service Providers listed. This begins the registration process for the online provider you have chosen.

–or–

Click the Connect to the Internet icon on the desktop. This will launch an internet setup wizard, which will help you locate an internet service provider in your area.

Using the OmniBook

Operating the OmniBook

To use the Fn hot keys



The combination of the Fn key plus another key creates a *hot key*—a shortcut key sequence—for various system controls. Press *and hold* Fn (Ctrl+Alt when using an external keyboard) while pressing the desired key.

Hot key

Fn + F1

Fn + F2

Fn + F3

Fn + F4

Fn + F5

Fn + F6

Fn + UP ARROW

Fn + DOWN ARROW

Fn + F12

Fn + NumLock

Does this

Increases the display's contrast (HPA displays only).

Decreases the display's contrast (HPA displays only).

Enters Standby mode.

Enters Suspend mode.

Enters Hibernate mode.

Toggles the sound on and off (mutes sound).

Increases sound volume.

Decreases sound volume.

Switches among the built-in display, an external display, and simultaneous displays.

Toggles Scroll Lock on and off

To use the Windows keys



The Windows key brings up the Windows Start menu. This is the same as clicking the Start button on the taskbar.



The Applications key brings up the shortcut menu for the current application. This is the same menu that appears when you click the right mouse button while pointing at the application.

To use the embedded keypad

Press the number lock key to turn Num Lock on or off. When Num Lock is on:

- Keys change to the numeric or arithmetic designations printed on the keys.
- The Num Lock status indicator (see “Status lights” on page 17) is lit.

To adjust the display

If your OmniBook has an HPA display, you can adjust the display contrast.

- To increase the contrast, press Fn+F1.
- To decrease the contrast, press Fn+F2.

There is no brightness control.

To adjust the volume

From the keyboard

- To increase the volume, press Fn+UP-ARROW.
- To decrease the volume, press Fn+DOWN-ARROW.
- To temporarily silence the speaker without changing the volume setting, press Fn+F6. Press Fn+F6 again to restore the speaker output.

In Windows

1. Click the speaker symbol in the taskbar.
2. Drag the volume control bar up or down to adjust the volume.
3. To temporarily silence the speaker without changing the volume setting, click Mute.

With the CD-ROM drive buttons

Selected OmniBook models also have CD-ROM drive buttons, which you can use with music CDs when the system is off.

Operating the OmniBook

- To increase the volume, press the volume control up button (to the far right of the front edge of the computer).
- To decrease the volume, press the volume control down button (to the left of the volume control up button).

To use the touch pad

The touch pad, a touch-sensitive pointing device that controls the motion and speed of the pointer on the screen, is built into your OmniBook.



1. Move a thumb or finger across the touch pad in the direction you want the pointer to move.
 2. Use the click buttons, which function like the left and right buttons on a mouse, to make your selection. You can also tap on the touch pad instead of clicking a button.
- To open an application, move the pointer over the icon, then press the **left button twice** rapidly.
 - To make menu selections, move the pointer to the item and press the **left button once**.
 - To open the shortcut menu for an item, move the pointer over the item and click the **right button**.
 - To drag an item, move the pointer over the item. Press and hold the **left button** while you move the pointer to the new location. Release the button.

Expanding the OmniBook

To install RAM modules

The OmniBook provides an optional memory expansion slot for installing up to two RAM expansion modules.

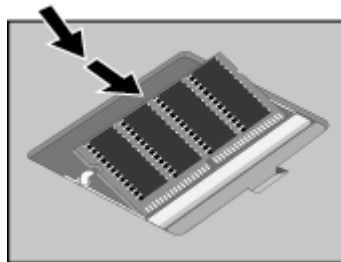
Your OmniBook's computer chips are extremely static-sensitive. Static electricity can permanently damage computer chips. Carefully read the following caution information.

CAUTION

Handle the RAM module only by its edges. Otherwise, you may damage the module due to electrostatic discharge. Static electricity can permanently damage computer chips. It is therefore important to discharge the static electricity from your body before installing the memory module. Discharge your body's electricity by touching the metal shielding around the connectors on the rear of the OmniBook computer.

You'll need a small Phillips screwdriver to complete this procedure.

1. Click the Start Button and select Shut down.
2. Unplug the AC adapter, if present, and remove the battery.
3. Remove the RAM expansion cover located on the bottom of the OmniBook using a Phillips screwdriver.



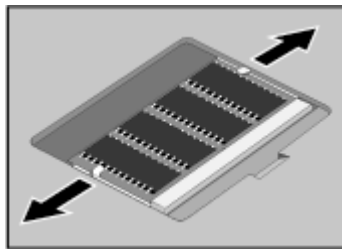
4. Insert the RAM expansion module into the connector at about a 30° angle until it's fully inserted. Then press down at both sides of the module until it latches.

Using the OmniBook
Expanding the OmniBook

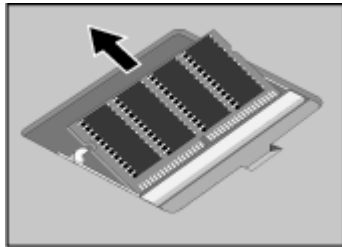
5. Replace the RAM expansion module door.
6. Insert the battery.

To remove RAM modules

After you remove the RAM expansion cover, do the following:



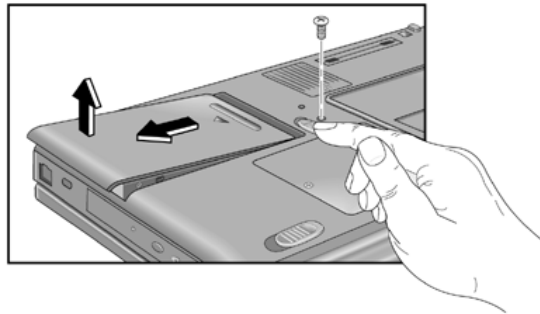
1. Release the two latches at the sides of the RAM expansion module by pushing them gently outward (away from the sides of the module).
2. When you release the latches, the free edge of the module pops up.



3. Pull the module out of the connector.
4. Replace the RAM expansion module door.

To replace a hard disk drive

You'll need a small Phillips screwdriver to complete this procedure.



1. From the Start menu, shut down the OmniBook.
2. Unplug the AC adapter, if present, and remove the battery.
3. Turn the unit bottom side up.
4. Use a screwdriver to remove the hard disk drive locking screw.
5. Slide and hold the hard disk drive latch.
6. Slide the hard disk drive toward the edge of the OmniBook, then lift out.
7. Insert the new hard disk drive and the locking screw.
8. Insert the battery.

Note

If you are installing a new hard disk drive, you should create a Hibernate partition on the drive before loading any software—see the instructions included with the drive or go to the OmniBook website at www.hp.com/omnibook.

Working in Comfort

WARNING

Improper use of keyboards and other input devices has been associated with ergonomic injury. For more information about reducing your risk, visit our ergonomics website at www.hp.com/ergo.

Thank you for selecting HP computing equipment. To optimize your comfort and productivity, it is important that you set up your work area correctly and use your HP equipment properly. With that in mind, we have developed some set-up and use recommendations for you to follow based on established ergonomic principles.

Improper and prolonged use of keyboards and input devices are among those tasks that have been associated with repetitive strain injury (RSI) to soft tissues in the hands and arms. If you experience discomfort or pain while using any computing equipment, discontinue use immediately and consult your physician as soon as possible.

In addition to the information on RSI given in this chapter, you may also consult the online version of Working in Comfort preloaded on the hard disk of the your HP OmniBook, or visit HP's Working in Comfort website.

About Repetitive Strain Injury

Because your comfort and safety are our primary concern, we strongly recommend that you use HP computing equipment in accordance with established ergonomic principles and recommendations.

Scientific literature suggests that there may be a relationship between injury to soft tissues—especially in the hands and arms—and prolonged, improper use of keyboards or other equipment requiring repeated motions of the hands and forearms.

This literature also suggests that there are many other risk factors that may increase the chance of such injury, commonly called Repetitive Strain Injury.

What is RSI?

Repetitive Strain Injury (RSI—also known as cumulative trauma disorder or repetitive motion injury) is a type of injury where soft tissues in the body, such as muscles, nerves, or tendons, become irritated or inflamed.

RSI has been a reported problem for those who perform repetitive tasks such as assembly line work, meatpacking, sewing, playing musical instruments, and computer work.

RSI also has been observed in those who frequently engage in activities such as carpentry, knitting, housework, gardening, tennis, windsurfing and lifting children.

What causes RSI?

The specific causes of RSI have not been established. Nevertheless, the incidence of RSI has been associated with a variety of risk factors, including:

- Too many uninterrupted repetitions of an activity or motion.
- Performing an activity in an awkward or unnatural posture.
- Maintaining static posture for prolonged periods.
- Failing to take frequent short breaks.
- Other environmental and psychosocial factors.

In addition, there have been reports associating the occurrence of RSI with the use of computer keyboards, mice, and other input devices. Also, certain medical conditions, such as rheumatoid arthritis, obesity and diabetes, may predispose some people to this type of injury.

What can I do to avoid RSI?

Some people who use computers may experience physical discomfort during their use. This discomfort may be a symptom of a repetitive strain injury.

Properly setting up and using computing equipment can help to minimize your chances of experiencing this discomfort. Well-designed and properly adjusted equipment alone may not be sufficient to eliminate all potential problems.

Maintaining good posture and positioning when working on computers also has a significant bearing on your comfort.

What if I experience discomfort?

If you are experiencing any discomfort, seek professional medical advice immediately. Typically, the earlier a problem is diagnosed and treated, the easier it is to resolve.

Preparing Your Work Environment

When using HP computing equipment, it is important that your work environment contribute to your comfort and productivity.

Your Chair

It's very important that your chair provides a comfortable sitting position and offers the following features:



- **A stable base, such as five legs with casters.** Make sure the casters are designed for the type of floor you have in your workspace, whether it is bare or carpeted.
- **A height- and tilt-adjustment feature.** It should be easy to adjust your chair height from 40 cm to 52 cm (15.5 inches to 20.5 inches) as measured from the top of the seat pan to the floor. If you are much taller or shorter than average, you may need a chair that can be adjusted beyond this range. Adjust your chair so that

the work surface or keyboard tray is at elbow height and your feet are flat on the floor with your knees slightly bent below your hips. Ideally, the seat pan should be able to tilt both forward (minimum of 5 degrees) and backward (minimum of 10 degrees). If the chair has an adjustable seat pan, inclining the seat slightly forward will transfer some of the pressure from the spine to the thighs and feet. This will relieve pressure on your back.

- **A curved seat edge.** The front of the seat should be curved and finished in a “waterfall” edge.
- **An adjustable back support** in both height and forward and backward tilt. It is important that the backrest correctly supports the lower part, or lumbar curve, of the back.
- **A freely rotating swivel** so you can move easily from side-to-side.
- **Fully adjustable and padded armrests.** The chair arms should not interfere with adjusting the chair or moving it close to your work surface.

Your Work Surface

Ideally, you should be able to adjust the height of your work surface.

A simple way to ensure your work surface is at the correct height is to first adjust the height of the seat-pan of your chair. With your chair properly adjusted and your feet firmly on the floor, adjust the work surface height until your forearms are parallel to the floor when you have your fingers on the keyboard or other input device.

Your Work Posture

Sitting in one position for long periods can be uncomfortable. To minimize the potential for physical discomfort or injury, it's important that you maintain proper posture.



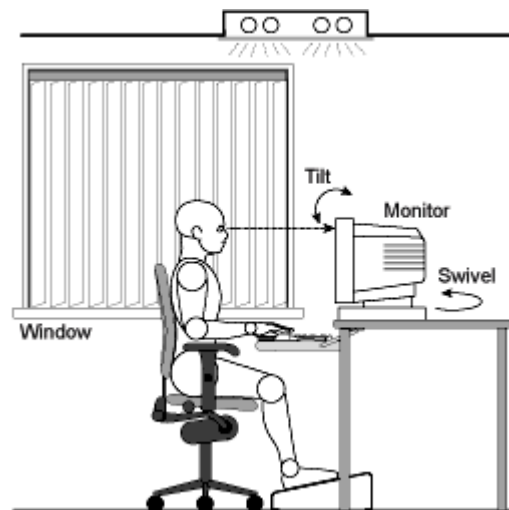
- **Back:** While sitting at your work surface, make sure your back is supported by the chair's backrest in an erect position or angled slightly backwards.
- **Arms:** Your arms should be relaxed and loose, elbows close to your sides, with forearms and hands approximately parallel to the floor.
- **Wrists:** Your wrists should be as straight as possible while using the keyboard, mouse or trackball. They should not be bent sideways, or more than 10 degrees up or down.
- **Legs:** Your thighs should be horizontal or angled slightly downward. Your lower legs should be near a right angle to your thighs. Your feet should rest flat on the floor. If necessary, use a footrest, but double check that you have your seat height adjusted correctly before getting a footrest.
- **Head:** Your head should be upright or tilted slightly forward. Avoid working with your head or trunk twisted.
- **Overall:** Change your position frequently and take regular breaks to avoid fatigue.

Setting Up Your HP Computing Equipment

Make sure that all the elements of your HP computer system—monitor, document holder, keyboard, mice and other input devices, and headphones and speakers—are optimally arranged and adjusted to meet your personal requirements. The recommendations that follow will help you achieve this.

Your HP Monitor

It is important that your monitor screen be clean and positioned correctly to improve readability and help you work comfortably. Glare, high contrast, reflections, dirt and dust will interfere with what you see on the screen. The recommendations that follow can help you achieve a comfortable arrangement.



- The top of your monitor screen should be at or slightly below eye level. Most HP monitors come with a tilt-and-swivel feature that makes it easy to adjust the screen position.
- To avoid obscuring your view, the screen should be positioned perpendicular to your line of sight; that is, straight on.
- To avoid glare or reflection, try to position the monitor so the screen is at a right angle to your window rather than in front of it. If reflection or glare persists, tilting the screen forward may help.

Using the OmniBook
Working in Comfort

- Maintain a comfortable viewing distance to the screen. Most people prefer a viewing distance of approximately 46 to 76 cm (18 to 30 inches), depending on monitor size. Character size and the amount of space available on the work surface can affect this distance.
- Text should be easy to read. To help ease eyestrain, adjust text attributes such as character size, spacing, and color. In addition, you will need to use the controls provided with your monitor to adjust the visual settings so that contrast and brightness levels are comfortable for you. High contrast and low brightness is usually the preferable combination.
- The monitor should be free from flicker. If the image on your screen is not stable, the monitor may require repair or adjustment.
- When possible, use a program that has a simple user interface, such as easily identifiable icons and pull-down menus. Also, screen information should be displayed in a structured and well-organized way.

Monitor Use Specifications

- When viewing your monitor, your head should not be tilted more than 15 degrees forward.
- When viewing your monitor, your head should not be tilted more than 15 degrees forward.
- You should not have to look up more than 5 degrees above horizontal or down more than 30 degrees below horizontal for normal work tasks, such as typing or reading.

Document Holders

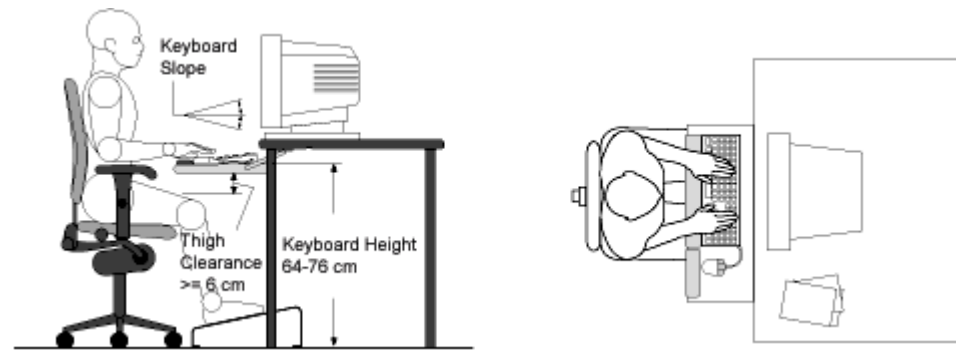
When keying in data from a hard-copy document, placing it in a document holder rather than on a flat surface will make it easier to read. The following recommendations should be observed when using a document holder:

- The document holder should be at approximately the same height and distance from your eyes as the screen, and as close to the monitor as possible to prevent neck twisting. Some users prefer a document holder mounted to the monitor while others prefer the document holder positioned between the screen and keyboard.
- If the primary task is to view documents rather than using the monitor, the document holder may be placed directly in front of the keyboard with the monitor slightly to the side.

- To help reduce stress on your neck and prevent eye fatigue, try to minimize the movement of your head and eyes while using a document holder.

Your HP Keyboard

The proper positioning and use of your HP keyboard is important when using HP computing equipment. Be sure to observe the following recommendations to optimize your comfort and safety:



- We recommend you place your keyboard in front of the screen or document holder, whichever is viewed the most. Your HP keyboard has long cables so you can place it in the position that is most comfortable for you while you are using your system.
- Because HP keyboards vary in depth, you'll want to be sure that your work surface or keyboard tray has sufficient room to accommodate your model. The keyboard tray should be wide enough to hold both the keyboard and mouse or trackball: 66 to 71 cm (26 to 28 inches).
- Your HP keyboard may have a kickstand that can be opened or closed to raise or lower the keyboard angle. If you are in the correct sitting position with your elbows at about the same level as the work surface, you may not need to use it. However, if your elbows are below the work surface, you may wish to use the kickstand to raise the back of the keyboard.
- An adjustable keyboard tray may be useful if you cannot adjust your chair or work surface to the proper height for typing. It should adjust in height from 64 to 76 cm (25 to 30 inches) above the floor and tilt forward and backward to help you find the most comfortable position. Note that research has shown that there

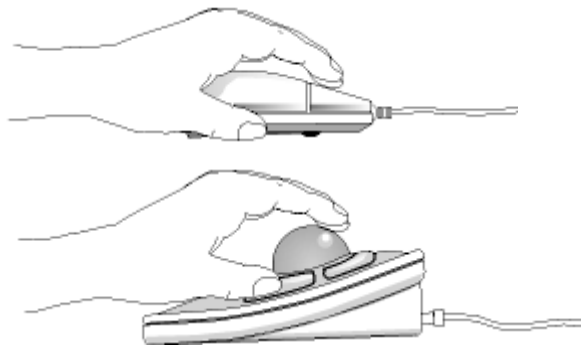
Using the OmniBook
Working in Comfort

may be less muscle tension in shoulders and forearms with the keyboard tilted away from you.

- When using your HP keyboard, remember it takes very little pressure or force from your fingers to activate the keys. Improper typing style—the use of too much force—can place unnecessary stress on the tendons and muscles in your hands, wrists, and forearms.
- Make sure that your hands are in a neutral position when you use your keyboard. This means that your forearms, wrists, and hands should be in a straight line.
- The keyboard has a low profile to help prevent excessive bending of your wrists while typing. Literature suggests that you should not bend your wrists sideways or more than 10 degrees up or down. Keep your wrists straight by moving your entire hand and forearm over to use the function keys or numeric keypad.
- You may use a palm rest to help keep your hands and wrists in a comfortable and neutral position when you are not typing. Some HP keyboards come with an integrated palm rest. If you use a palm rest, see that it is rounded and padded, and flush in height with the front edge of the keyboard. Note that your palms—not your wrists—should rest on the palm rest. If you don't have a palm rest, try not to rest your wrists on a sharp edge, such as a work surface edge.

Mice and Other Input Devices

Various aspects of using mice and other input devices may increase your risk of discomfort or injury. If you connect an external mouse to your OmniBook, observing the following recommendations may reduce that risk.



- As with the keyboard, try to keep your hand, wrist, and forearm in a neutral position while using your mouse or other input device.

- When using a stylus or light pen with a graphics tablet, don't grip the stylus tightly. Keep your hand and fingers relaxed and try to maintain a neutral posture in your hand, wrist and forearm.
- If you use your thumb to rotate the ball on a trackball or spaceball, keep it in a relaxed, natural shape, and maintain a neutral posture in your hand, wrist, and forearm.
- Hold the mouse gently by draping your fingers over it. Keep your hand relaxed and fingers loose. Do not grip the mouse tightly.
- It takes very little pressure or force from your fingers to activate the buttons or scroll wheel on your mouse, scrolling mouse, trackball, or other input device. Using too much force can place unnecessary stress on the tendons and muscles in your hands, wrists, and forearms.
- If you are using a scrolling mouse, be sure to keep your fingers and hand in a relaxed, neutral position when activating the scroll wheel. Also, this type of mouse features software that can minimize the number of mouse movements or button clicks.
- When using a mouse, trackball, stylus and graphics tablet, or other input device, position it as close to the keyboard as possible, and keep it at the same level so you do not have to stretch while using it.
- Use a good quality mouse pad to enable the mouse to work most effectively and reduce unnecessary hand and wrist movements.
- Be sure to keep your mouse and trackball clean. Regular removal of accumulated dust and dirt helps ensure proper tracking and reduces unnecessary hand and wrist motions.

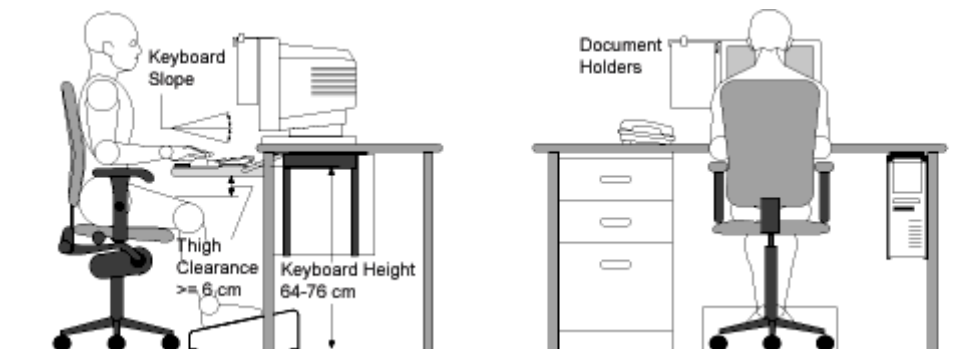
Headphones and Speakers

Listening to loud sounds for prolonged periods may permanently damage your hearing. To avoid discomfort from unexpected noise, always turn down the volume before connecting headphones or speakers to your HP equipment.

When you put on the headphones, slowly increase the volume until you find a comfortable listening level, then leave the volume control in that position.

Comfort and Safety Checklist

These recommendations are drawn from the latest available international ergonomic standards and recommendations, including ISO 9241 and ANSI/HFS 100-1988.



General

- **Work Surface Height:** Adjust either your seat height, work surface, or both, to position the work surface at approximately elbow height.
- **Work Surface Arrangement:** Make sure frequently used equipment is within easy reach. For example, if you are primarily using the keyboard, place it directly in front of you, not to the side. If you are primarily using the mouse, place it in front of your hand or arm. If you are using both a mouse and keyboard, place them both at the same work surface height and close together. If a palm rest is used, the height should be flush with the front edge of the keyboard. Other items, such as your telephone or notepad, also should be considered.
- **Monitor:** Place your monitor so that the top of the screen is at, or slightly below, eye level (up to 15 degrees).
- **Head:** Do not tilt your head forward by more than 15 degrees, and try not to turn your head toward the side.
- **Back:** While sitting at your work surface, make sure your back is supported by the chair's backrest in an erect position or angled slightly backwards.

- **Arms:** Make sure your arms and elbows are relaxed and loose, with your upper arm perpendicular to the floor or slightly forward. Keep your forearms and hands approximately parallel with the floor with elbows bent between 70 and 115 degrees. Keep your elbows close to your sides (less than 20 degrees away from your body).
- **Legs:** Your thighs should be horizontal or angled slightly downward. Your lower legs should be near a right angle to your thighs. Make sure there is sufficient room under the work surface for your legs.
- **Feet:** If after adjusting your chair you cannot rest your feet comfortably on the floor, use a footrest, preferably one that can be adjusted in height and angle.

Overall

- Look away from the screen from time-to-time to help reduce eyestrain. Focus on distant objects briefly, and blink periodically to lubricate your eyes. You also should have your eyes checked on a regular basis and ensure your eyeglass prescription is suitable for working on a monitor screen.
- Remember to occasionally shift position and move your body. Keeping your body in one position for long periods is unnatural and stressful. When prolonged work is required, take frequent short breaks. As a rule of thumb, a five- or ten-minute break every hour is a good idea. Short, frequent breaks are more beneficial than longer less frequent breaks. Data show that people who work for long periods of time without a break may be more prone to injury.
- Changing tasks frequently will help prevent muscle stiffness. Examples: alternating between keyboarding, reading, writing, filing, and moving around in your work environment, helps you maintain a relaxed posture. Occasionally stretch the muscles in your hands, arms, shoulders, neck, and back. You should stretch at least as often as you take brief task breaks—at least once every hour.
- Discomfort may be alleviated by using alternative ergonomic designs and accessories such as ergonomically personalized chairs, palm rests, keyboard trays, alternative input devices, prescription eyeglasses, anti-glare screens, and more. Seek additional information from the sources available to you, including your employer, doctor, local office supply store, and the information sources listed in the online version of *Working in Comfort*, which is preloaded on the hard disk of your HP computing equipment.

Your HP OmniBook Computer

You can use your HP OmniBook computer virtually anywhere, anytime. The following recommendations should help you work more comfortably.

Note that if you are using your portable computer as your primary computer, or using it for extended periods, you should use it with a full-size keyboard, monitor and mouse. This will give your portable computer the adjustability and comfort features of a desktop unit. HP port replicators offer quick, easy connections to these devices. More information on how to prepare your workspace environment and set up your HP equipment is available in other sections of Working in Comfort with Your HP Computing Equipment.

Preparing Your Mobile Work Environment

- Use a chair that provides good support for your lower back. If an adjustable chair is not available, you can use a pillow or rolled-up towel to provide lower back support.
- Try to keep your thighs parallel to the floor and your feet flat on the floor. In a mobile environment, you can do this by using a phone book or briefcase to support your feet.
- Adjust the height of either your work surface or chair to keep your arms in a neutral position. Your arms should be relaxed and loose, elbows at your sides, with the forearms and hands parallel with the floor.
- Position your notebook computer display to minimize glare and reflection. For example, on an airplane, lower the window shade, or in a hotel room, draw the curtains. You also should maintain a comfortable viewing distance, approximately 40 to 60 cm (16 to 24 inches). Adjust the angle of your display to help keep your head angled slightly downward in a comfortable position.

Using Your Mobile Computer

- Position the computer so your wrists and hands are in a neutral position. Your wrists should be as straight as possible and should not have to bend sideways or more than 10 degrees up or down. If your notebook computer does not have a built-in palm rest, you can use a rolled-up towel.
- Try to type as lightly as possible. The notebook keyboard requires little force to activate.
- Take frequent, short rest breaks. This is especially important in a mobile computing environment.
- Portable computers weigh between approximately 1.4 and 3.7 kilos (3 and 8 pounds). When traveling, be sure to carry your computer properly to minimize strain on your body. Shift the bag containing your notebook equipment frequently between your left and right hands and shoulders.

Caring for Your OmniBook

The following are recommendations for maintaining your HP OmniBook during everyday use, as well as preventing potential physical damage or data loss.

To protect your hard disk drive

Hard disk drives, as well as other internal components, are not indestructible and can be damaged by inappropriate handling and operation.

- Avoid bumps or jolts.
- Do not operate the HP OmniBook while traveling over bumpy terrain.
- Suspend or shut down the HP OmniBook before transporting it. This turns off the hard drive. A drop of a few inches onto a rigid surface while the hard drive is operating could cause loss of data or damage to the drive.
- Carry the HP OmniBook in a padded case to protect against bumps and jolts.
- Set down the HP OmniBook gently.

To take care of your OmniBook

- Provide adequate ventilation around the HP OmniBook. Insure that the laptop is sitting on a flat surface, so that air is able to flow underneath the unit.
- Be sure to suspend or shut down the HP OmniBook before putting it in a carrying case or other enclosed space.
- Do not pick up or carry the HP OmniBook by the display.
- Do not use the HP OmniBook outside in the rain or snow (inclement weather) or in any extremes of temperature or humidity.

To safeguard your data

- Do not touch the touch pad or activate any other device that interrupts operation while the system is starting or stopping.
- Back up your work regularly. Copy files to floppy, tape or network drives.
- Use a virus-scanning program, such as the included VirusScan, to check the integrity of your files and operating system. Since new viruses appear frequently, you will also want to update the program's virus definitions from time to time; updates are on the web at www.networkassociates.com.
- Check your disk using the "scandisk" utility.

To extend the life of the display

Observe the following guidelines to extend the life of the backlight in the OmniBook display.

- When working at your desk, connect an external monitor and turn off the internal display (Fn+F12).
- If you are not using an external monitor, set the Turn off monitor timeouts (for both AC and battery operation) to the shortest comfortable interval.

To get the most from your batteries

- Do not leave batteries unused for long periods of time. If you have more than one, rotate them.
- If you normally use AC power, make a practice of at least once a week using the battery as your power source.
- Unplug the AC adapter when the computer is not in use.
- To preserve the life of a battery, be sure to charge the battery regularly.
- For long-term storage, the battery must be charged at 20–50% to minimize capacity loss by self-discharge and to avoid deterioration of battery performance.

To clean your OmniBook

You can clean the OmniBook with a soft cloth dampened either with clean water or with water containing a mild detergent.

- Do not use an excessively wet cloth nor allow water inside the case.
- Do not use any abrasive cleaners, especially on the display. Do not apply any cleaner directly to the display. Instead, apply the cleaner to a soft cloth and then gently wipe the display.
- You can clean the keyboard with a vacuum cleaner to remove accumulated dust.

Traveling with Your OmniBook

Managing Power Consumption

When you are not using your computer, you will want to maximize battery operating time without compromising performance. It is not necessary to turn the computer off in order to reduce power consumption and extend battery life.

With Windows 98, Advanced Power Management (APM) provides both manual and automated tools for reducing power consumption.

- Power management options may be invoked manually at any time by pressing the appropriate key. See “To use manual power management” on page 50.
- Power management options can also be set to occur automatically, based on timeout values that you have entered. See Managing Power Consumption in the online *User's Guide*.

To use manual power management with Windows 98

You can shut down your OmniBook manually whenever you need to with any of the following three levels of shutdown.

Note

Windows NT 4.0 and Windows 95: Consult OmniBook Notes and the OmniBook website for more information on power management and the BIOS Setup utility.

System standby

Action	Turns off the display and hard disk drive. Saves current session to RAM.
When	Fn+F3 or Fn+F4 or Start, Shut Down, Standby.
Resume	Press the blue power button to return to your current session.

System standby can also occur automatically when the timeout setting in the Power Management Properties window is reached.

Hibernate

Action	Saves the current session to disk, then shuts down. Provides maximum power savings while still allowing you to recover the current session.
When	Press Fn+F5.
Resume	Press the blue power button to recover your current session. This takes several seconds.

Hibernate can also occur automatically when:

- Battery power reaches a critically low level. See “To respond to a low-battery warning” on page 53.
- The timeout setting in the BIOS Setup utility is reached (default is 2 hours after System standby occurs).

Off

Action	Turning off your OmniBook provides maximum power savings. The current session is not saved and unsaved data will be lost.
When	Start, Shut Down, Shut down.
Resume	Press the blue power button to start a new session. This will take several seconds.

Sometimes the system stops responding and you are not able to turn off the OmniBook as described above. To recover, use the following in the order listed.

- If you are unable to access the Start menu, you can turn off the system by pressing and holding the blue power button for 4 seconds.
- If holding the blue power button fails, insert a pen or straightened paper clip into the system-off button on the bottom of the OmniBook (see “OmniBook bottom view” on page 15).

Using Battery Power

To check the battery status

From the battery status light



The battery status light (second from left) reports the following information:

Green	AC attached—battery full
Orange	AC attached—battery charging
Red	AC attached—battery will not accept charge

From the Windows taskbar

The System Tray on the Windows taskbar includes a power icon that allows access to more detailed battery status information. The icon looks like a battery when AC is not connected.

- Place pointer over the power icon to display a percentage of remaining time.
- Right click the power icon to view the options for displaying power information.
- Left click the power icon to display a menu of the available power schemes.

To respond to a low-battery warning

The OmniBook automatically alerts you when the battery power drops to a critically low level. First you will hear a high-pitched beep. Then, if you have not taken restorative action within a short time, the system hibernates.

You won't be able to turn the computer on again until you restore power by one of the following actions:

- Plug in the AC adapter (see "To connect AC power" on page 20).
- or–
- Replace the battery with one that is charged (see "To install the battery" on page 19).

Note

If you plug in the AC adapter, you can continue to work while your battery recharges.

Service and Support

Hewlett-Packard Limited Warranty Statement

1. HP warrants to you, the end-user customer, that HP hardware, accessories and supplies will be free from defects in materials and workmanship after the date of purchase, for the period specified in the Warranty Duration sheet included with your OmniBook. If HP receives notice of such defects during the warranty period, HP will, at its option, either repair or replace products which prove to be defective. Replacement products may be either new or equivalent in performance to new.
2. HP warrants to you that HP software will not fail to execute its programming instructions after the date of purchase, for the period specified in the Warranty Duration sheet included with your OmniBook, due to defects in material and workmanship when properly installed and used. If HP receives notice of such defects during the warranty period, HP will replace software which does not execute its programming instructions due to such defects.
3. HP does not warrant that the operation of HP products will be uninterrupted or error free. If HP is unable, within a reasonable time, to repair or replace any product to a condition as warranted, you will be entitled to a refund of the purchase price upon prompt return of the product.
4. HP products may contain remanufactured parts equivalent to new in performance or may have been subject to incidental use.
5. Warranty does not apply to defects resulting from (a) improper or inadequate maintenance or calibration, (b) software, interfacing, parts or supplies not supplied by HP, (c) unauthorized modification or misuse, (d) operation outside of the published environmental specifications for the product, or (e) improper site preparation or maintenance.
6. TO THE EXTENT ALLOWED BY LOCAL LAW, THE ABOVE WARRANTIES ARE EXCLUSIVE AND NO OTHER WARRANTY OR CONDITION, WHETHER WRITTEN OR ORAL, IS EXPRESSED OR IMPLIED AND HP SPECIFICALLY DISCLAIMS ANY IMPLIED WARRANTIES OR CONDITIONS OF MERCHANTABILITY, SATISFACTORY QUALITY, AND FITNESS FOR A PARTICULAR PURPOSE. Some countries, states or provinces do not allow limitations on the duration of an implied warranty, so the above limitation or exclusion might not apply to you. This warranty gives you specific legal rights and you might also have other rights that vary from country to country, state to state, or province to province.

7. TO THE EXTENT ALLOWED BY LOCAL LAW, THE REMEDIES IN THIS WARRANTY STATEMENT ARE YOUR SOLE AND EXCLUSIVE REMEDIES. EXCEPT AS INDICATED ABOVE, IN NO EVENT WILL HP OR ITS SUPPLIERS BE LIABLE FOR LOSS OF DATA OR FOR DIRECT, SPECIAL, INCIDENTAL, CONSEQUENTIAL (INCLUDING LOST PROFIT OR DATA), OR OTHER DAMAGE, WHETHER BASED IN CONTRACT, TORT, OR OTHERWISE. Some countries, states or provinces do not allow the exclusion or limitation of incidental or consequential damages, so the above limitation or exclusion may not apply to you.

THE WARRANTY TERMS CONTAINED IN THIS STATEMENT, EXCEPT TO THE EXTENT LAWFULLY PERMITTED, DO NOT EXCLUDE, RESTRICT OR MODIFY AND ARE IN ADDITION TO THE MANDATORY STATUTORY RIGHTS APPLICABLE TO THE SALE OF THIS PRODUCT TO YOU.

Getting HP OmniBook Assistance

Support Assistance

If you need assistance with your HP OmniBook or accessory, use any of the following support services:

Provider Type	Type of Assistance
1. "Electronic Support Services" on page 58	<ul style="list-style-type: none">• HP self-help tools, information and software• Approved and Tested Solutions
2. "Customer Care Centers" on page 59	<ul style="list-style-type: none">• Telephone support assistance• In and out of warranty repair processes
3. HP-authorized resellers	<ul style="list-style-type: none">• Local support assistance• Referral to Customer Care Center or HP-approved support provider

Electronic Support Services

- **HP OmniBook World Wide Web:** download technical information, drivers, and software from the web at www.hp.com/omnibook.
- **HP PC & Peripheral Self-Help and Direct-Help Tools:** Visit the web at www.hp.com/cps-support/guide/home.html.

Choose Self-Help Tools to use a number of services that offer information and software that will help you make the most of your HP products.

- The HP FIRST Fax Retrieval System: (800) 333-1917 inside U.S. and Canada; +1 (208) 344-4809 outside U.S. and Canada.
- Bulletin Boards

- Commercial Online Services
- CD-ROM Subscriptions
- Service Parts Information

Choose **Talk to HP Directly** for information about how to contact HP for telephone assistance from our technical Customer Care Centers, or for receiving drivers and software by mail.

- Customer Care Centers
- Software Distribution

Repair Assistance

Warranty. You must contact one of the participating support providers mentioned in item 3 of “Support Assistance” on page 58 or an HP Customer Care Center to receive warranty service. The support provider will help qualify your unit for warranty repair based on the warranty applicable to your unit and original purchase date, and will provide you with repair processes in your area. Warranty service includes the cost of shipping, handling, duties, taxes, freight, or fees to or from the service location.

Out of Warranty. Contact one of the support providers listed in items 2 or 3 in the Support Assistance table or an HP Service Center. The support provider will let you know about repair charges and processes in your area.

Customer Care Centers

HP Customer Care Centers will assist you for free during the term of the warranty; you are responsible only for the telephone charge. Refer also to the website www.hp.com/cps-support/guide/home.html.

Service and Support
Getting HP OmniBook Assistance

During the free assistance period, HP will assist with questions about:

- Included applications and operating systems.
- HP-described operation environments and conditions.
- HP accessories, HP upgrades, and basic operation and troubleshooting.

HP will not be able to help with questions about:

- Non-HP hardware, software, operating systems, or usage not intended for or included (by HP) with the product.
- How to repair the product yourself.
- Product development, custom installations.
- Consulting.

US/Canada

English (970) 635-1000

French (800) 387-3867

Asia-Pacific +1 (970) 635-1000

Europe

Belgium (Dutch) 02 626 8806

Belgium (French) 02 626 8807

Denmark 3929 4099

Finland 0203 47 288

France 01 43 62 34 34

Germany 0180 52 58 143

Italy 02 264 10350

Norway 22 11 6299

Spain 902 321 123

Sweden 08 619 2170

United Kingdom 0171 512 52 02

Latin America +1 (970) 635-1000

Other countries +1 (970) 635-1000

Solving Problems with your OmniBook

Troubleshooting Techniques

You will find solutions to common problems and troubleshooting techniques on the HP OmniBook website, www.hp.com/omnibook or www.europe.hp.com/omnibook (European mirror).

You will also find information on the OmniBook website describing BIOS settings, system specifications, and advanced capabilities and procedures.

Using the Recovery CD

You can use the OmniBook Recovery CD to recover an original OmniBook build, or you can use it to install the HP custom software over a user-installed alternate operating system.

The Recovery CD provides the OmniBook-specific Windows drivers to configure your custom system. The drivers for Windows 95, Windows 98, and Windows NT are different, so be sure to obtain the appropriate drivers for your operating system. You can find drivers:

- On the OmniBook hard drive under C:\Omnibook\Drivers.
- On the Recovery CD, under \Omnibook\Drivers\- On the OmniBook website at www.hp.com/omnibook. This website contains the latest updates of software drivers for all three operating systems.

Note

You will find drivers for the operating system that was shipped with your OmniBook on the hard drive and on the Recovery CD. If you want drivers for one of the other Windows operating systems, please check the website.

To recover the factory installation of Windows

The following procedure describes how to recover the original Windows operating system that came with your OmniBook.

CAUTION

This procedure will format the hard disk drive. After the hard disk drive is formatted, you'll need to reinstall any applications. Reformatting the hard disk drive will erase all data on the disk.

1. Back up all data from your hard disk.
2. Connect the AC adapter to the OmniBook.
3. Insert the bootable Recovery CD in the CD-ROM drive.

Using the Recovery CD

4. Reboot and, when you see the HP logo, press ESC twice.
5. Select the CD-ROM drive as the boot device, press ENTER, and follow any onscreen instructions.

You can find more details about recovering the factory installation of Windows on the Recovery CD: the file readme.txt is in the CD's root directory.

The recovery process can take up to an hour. *Do not interrupt the process or unplug the AC adapter until the process is completed.*

Note

The file system for Windows 95 and for Windows 98 is FAT32.

To replace a damaged Recovery CD

If you lose or damage the Recovery CD, take your OmniBook and Certificate of Authenticity to an HP Service Center to be replaced. If you mail your OmniBook for this service, you *must* provide a photocopy of the Certificate of Authenticity along with payment.

See "Customer Care Centers" on page 59 for HP Service Center addresses and telephone numbers.

Obtaining Repair Service

See “Repair Assistance” on page 59 to determine if your OmniBook must be sent in for service. If so, prepare your OmniBook for shipment.

1. **Important.** Back up your hard disk drive.

While your computer is being repaired, the hard disk may be replaced or reformatted.

2. Hewlett-Packard cannot guarantee the return of removable components. Please remove the following prior to sending your OmniBook in for service:
 - PC cards
 - AC adapter and power cord
 - CDs in the CD player
 - Floppy disks in the floppy disk drive
 - RAM modules that you have added
3. When sending your OmniBook to Hewlett-Packard, please use the original product packaging or other substantial packaging in order to avoid damage to the unit in transit.

Note

If the hard disk drive is defective, you will receive a replacement drive with the original HP software.

Specifications and Regulatory Information

Hardware and Software Specifications

For the most up-to-date information on OmniBook hardware and software specifications, go to the HP OmniBook website at www.hp.com/omnibook.

Safety Information

Power Cords

The power cord supplied with the OmniBook AC adapter should match the plug and voltage requirements for your local area. Regulatory approval for the AC adapter has been obtained using the power cord for the local area. However, if you travel to a different area and need to connect to a different outlet or voltage, you should use one of the power cords listed below. To purchase a power cord (including one for a country not listed below) or a replacement AC adapter (HP F1454A), contact your local Hewlett-Packard dealer or Sales and Service office.

Country	Rated Voltage and Current	HP Part Number
Canada Mexico Philippines Taiwan United States	125 Vac (3 A)	8120-6313
Europe Egypt Saudi Arabia	250 Vac (2.5 A)	8120-6314
Hong Kong Singapore United Kingdom	250 Vac (2.5 A)	8120-8699
Australia New Zealand	250 Vac (2.5 A)	8120-6312
Japan	125 Vac (3 A)	8120-6316
India South Africa	250 Vac (2.5 A)	8120-6317
People's Republic of China	250 Vac (2.5 A)	8120-8373

Safety Information

Battery Safety

- To avoid risk of fire, burns, or damage to your battery pack, do not allow a metal object to touch the battery contacts.
- The battery pack is suitable for use only with compatible OmniBook models. Check the *Support and Service* section of this *Setup Guide* for your local HP contact.
- Do not disassemble. There are no serviceable parts inside. Do not dispose of the battery pack in fire or water.
- Handle a damaged or leaking battery with extreme care. If you come in contact with the electrolyte, wash the exposed area with soap and water. If it contacts the eye, flush the eye with water for 15 minutes and seek medical attention.
- Do not expose the battery pack to high storage temperatures (above 60° C, 140° F).
- When the battery is not in use, store it in the battery pouch provided.
- When discarding a battery pack, contact your local waste disposal provider regarding local restrictions on the disposal or recycling of batteries.
- To obtain a replacement battery, contact your local dealer or HP sales office.
- Do not charge the battery pack if the ambient temperature exceeds 45° C (113° F).

Laser Safety

The CD-ROM and DVD drives used with the OmniBook are certified as Class 1 laser devices according to the U.S. Department of Health and Human Services (DHHS) Radiation Performance Standard and International Standards IEC 825 / IEC 825-1 (EN60825 / EN60825-1). These devices are not considered harmful, but the following precautions are recommended:

- Ensure proper use by reading and following the instructions carefully.
- If the unit requires service, contact an authorized HP service center—see the OmniBook *Support and Service* section of this *Setup Guide*.
- Do not attempt to make any adjustment of the unit.
- Avoid direct exposure to the laser beam—do not open the unit.

LED Safety

The infrared port located on the back panel of the OmniBook is classified as a Class 1 LED (light-emitting diode) device according to International Standard IEC 825-1 (EN60825-1). This device is not considered harmful, but the following precautions are recommended:

- If the unit requires service, contact an authorized HP service center—see the OmniBook *Support and Service* section of this *Setup Guide*.
- Do not attempt to make any adjustment of the unit.
- Avoid direct eye exposure to the infrared LED beam. Be aware that the beam is invisible light and cannot be seen.
- Do not attempt to view the infrared LED beam with any type of optical device.

Regulatory Information

This section presents information that shows how the OmniBook complies with regulations in certain regions. Any modifications to the OmniBook not expressly approved by Hewlett-Packard could void the authority to operate the OmniBook in these regions.

U.S.A.

The OmniBook generates and uses radio frequency energy and may interfere with radio and television reception. The OmniBook complies with the limits for a Class B computing device as specified in Part 15 of FCC Rules, which provide reasonable protection against such interference in a residential installation. In the unlikely event that there is interference to radio or television reception (which can be determined by removing the unit's batteries and AC adapter), try the following:

- Reorienting or relocating the receiving antenna.
- Relocating the OmniBook with respect to the receiver.
- Connecting the OmniBook AC adapter to another power outlet.

Connections to Peripheral Devices

To maintain compliance with FCC Rules and Regulations, use properly shielded cables with this device.

For more information, consult your dealer, an experienced radio/television technician, or the following booklet, prepared by the Federal Communications Commission: *How to Identify and Resolve Radio-TV Interference Problems*. This booklet is available from the U.S. Government Printing Office, Washington, DC 20402, Stock Number 004-000-00345-4. At the first printing of this manual, the telephone number was (202) 512-1800.

Declaration of Conformity (U.S.A.)

Responsible Party: Hewlett-Packard Company
Manager of Corporate Product Regulations
3000 Hanover Street
Palo Alto, CA 94304, U.S.A.
(415) 857-1501

declares that the product(s)
Trade name: Hewlett-Packard Company
Product name: HP OmniBook XE Series

Complies with Part 15 of the FCC Rules. Operation is subject to the following two conditions:

1. This device may not cause harmful interference, and
2. This device must accept any interference received, including interference that may cause undesired operation.

Canada

This digital apparatus does not exceed the Class B limits for radio noise emissions from digital apparatus as set out in the radio interference regulations of the Canadian Department of Communications.

Le présent appareil numérique n'émet pas de bruits radioélectriques dépassant les limites applicables aux appareils numériques de Classe B prescrites dans le règlement sur le brouillage radioélectrique édicté par le Ministère des Communications du Canada.

Japan

この装置は、情報処理装置等電波障害自主規制協議会（VCCI）の基準に基づきクラスB情報技術装置です。この装置は、家庭環境で使用することを目的としていますが、この装置がラジオやテレビジョン受信機に近接して使用されると受信障害を引き起こすことがあります。
取り扱い説明書に従って正しい取り扱いをして下さい。

International

Products sold internationally by Hewlett-Packard and its authorized dealers meet the specifications listed below.

Declaration of Conformity (according to ISO/IEC Guide 22 and EN 45014)

Manufacturer:	Hewlett-Packard Company
Address:	Hewlett-Packard Company Mobile Computing Division 19310 Pruneridge Ave. Cupertino, CA 95014, U.S.A. declares that the following product
Product name:	HP OmniBook XE Series
Options:	All conforms to the following product specifications
Safety:	IEC 950:1991+A1,A2 ,A3, A4 / EN 60950 (1992)+A1,A2, A3, A4 GB4943-1995 IEC 825-1:1993/EN60825-1:1994
EMC:	CISPR 22:1993 / EN 55022 (1994): Class B [1] GB9254-1988 EN 50082-1:1992 IEC 801-2:1991 / prEN 55024-2 (1992): 4kV CD, 8kV AD IEC 801-3:1984 / prEN 55024-3 (1991): 3V/m IEC 801-4:1988 / prEN 55024-4 (1992): 0.5 kV signal lines, 1.0kV power lines FCC Title 47 CFR, Part 15 Class B ANSI C63.4: 1992 AS/NZS 3548: 1995 Rules and Regulations of Class B

Supplementary Information:

The product herewith complies with the requirements of the Low Voltage Directive 73/23/EEC, EMC Directive 89/336/EEC and IEC 825-1 and carries the CE marking accordingly.

This device complies with Part 15 of the FCC Rules. Operation is subject to the following two conditions: (1) this device may not cause harmful interference, and (2) this device must accept any interference received, including interference that may cause undesired operation.

The HP F1740A and F1454A AC/DC adapter used with this product is designed to operate on all power systems, other than IT power systems.

[1] The product was tested in a typical configuration with Hewlett-Packard personal computer peripherals.

Quality Department
Hewlett-Packard Company
Mobile Computing Division

Index

A

- AC adapter
 - connecting, 20
 - part number, 11
 - status light, 17
- AC adapter
 - jack location, 16
- accessories, 11
- address
 - HP Customer Care website, 12
 - HP website, 12, 62

APM, 50

- audio out
 - location, 16

B

- battery
 - best use of, 47
 - installing, 19
 - location, 15
 - low power warning, 53
 - recharging, 19
 - status, 52
 - status light, 17
- battery latch
 - location, 15

C

- Caps Lock
 - status light, 17
- CD player buttons
 - location, 18
- CD-ROM access light
 - location, 17
- CD-ROM drive
 - location, 14
- cleaning the OmniBook, 48
- click buttons
 - location, 13
- copyrights, 2
- Customer Care website, 12

D

- data
 - protecting, 47
- display

- adjusting, 27
 - extending life, 47
- docking port, 15

E

- eject buttons
 - PC Cards, 14
- embedded keypad, 27
- ergonomics, 32

F

- F1455A (auto/airline adapter), 11
- F1469A (Y-adapter), 11
- F1738A (port replicator), 11
- F1739A (battery), 10
- F1739A (battery), 11
- F1740A (AC adapter), 10, 11
- floppy disk drive
 - access light, 17
 - location, 14
- Fn key
 - + DOWN ARROW (volume), 26
 - + F1 (contrast), 26
 - + F12 (display), 26
 - + F2 (contrast), 26
 - + F3 (suspend), 26
 - + F3 (System standby), 50
 - + F4 (suspend), 26
 - + F4 (System standby), 50
 - + F5 (hibernate), 26, 51
 - + F6 (mute), 26
 - + NumLock (scroll lock), 26
 - + UP ARROW (volume), 26

H

- hard disk drive
 - access light, 17
 - location, 15
 - protecting, 46
 - replacing, 31
- hibernate, 51
- hibernate partition, 31
- HP Customer Care website, 12

I

- infrared port
 - location, 16

- internet service provider, 24
- ISP, 24

K

- Kensington lock
 - slot location, 14
- keyboard
 - Applications key, 26
 - Windows key, 26
- keypad, 27

L

- laser safety, 71
- LED safety, 71
- license agreement, 3
- lights
 - AC adapter, 20

M

- microphone
 - port location, 16
- microphone (built-in)
 - location, 13
- modem (built-in), 21

N

- Num Lock
 - status light, 17
 - using, 27

O

- OmniBook
 - caring for, 46
 - cleaning, 48
 - protecting, 46
- OmniBook Notes, 12
- on/off button
 - location, 13
 - using, 21

P

- parallel port
 - location, 16
- part numbers
 - AC adapter, 11
 - auto/airline adapter, 11
 - battery, 11

- port replicator, 11
- PC Cards
 - slots for, 14
- phone jack
 - location, 14
- phone line
 - connecting, 21
- plug requirements, 69
- pointing device
 - location, 13
 - using, 28
- power
 - button location, 13
 - connecting AC, 20
 - status light, 17
 - suspending, 50
- power cords, 69
- power management, 50
- PS/2 port
 - location, 16
- R**
- RAM
 - correct handling, 29
 - installing, 29
 - removing, 30
- RAM cover
 - location, 15
- Recovery CD
 - replacing, 64

- using, 63
- regulatory information, 72

- S**
- safety
 - laser, 71
 - LED, 71
 - power, 69
 - voltage, 69
- scandisk, 47
- Scroll Lock
 - status light, 17
- serial port
 - location, 16
- service
 - HP service center, 71
- shut down, 50, 51
- software, 10
 - license, 3
- speakers
 - location, 13
- Start menu, 50, 51
- status lights
 - battery, 52
 - location, 17
 - power, 21
- support, 71
- System standby, 50
- system-off button
 - location, 15

- using, 51

- T**
- touch pad, 28, 47
 - location, 13
 - using, 28
- turning off
 - manually, 50
- turning on, 21, 50

- U**
- USB port
 - location, 16
- User's Guide* (online), 12

- V**
- ventilation, 46
- VGA port
 - location, 16
- voltage requirements, 69
- volume
 - adjusting, 27

- W**
- website, 12, 62
- Windows
 - documentation, 12
 - keys, 26
 - license agreement, 22
- working in comfort, 32