
HP OmniBook Accessories



User's Guide

Notice

This manual and any examples contained herein are provided “as is” and are subject to change without notice. Hewlett-Packard Company makes no warranty of any kind with regard to this manual, including, but not limited to, the implied warranties of merchantability and fitness for a particular purpose. Hewlett-Packard Co. shall not be liable for any errors or for incidental or consequential damages in connection with the furnishing, performance, or use of this manual or the examples herein.

Consumer transactions in Australia and the United Kingdom: The above disclaimers and limitations shall not apply to Consumer transactions in Australia and the United Kingdom and shall not affect the statutory rights of Consumers.

© Copyright Hewlett-Packard Company 1995–1996. All rights reserved. Reproduction, adaptation, or translation of this manual is prohibited without prior written permission of Hewlett-Packard Company, except as allowed under the copyright laws.

The programs that control this product are copyrighted and all rights are reserved. Reproduction, adaptation, or translation of those programs without prior written permission of Hewlett-Packard Co. is also prohibited.

Portions of the programs that control this product may also be copyrighted by Microsoft Corporation, Adaptec, Inc., Microcom Systems, Inc., SystemSoft Corp. See the individual programs for additional copyright notices.

Microsoft, MS, and MS-DOS are registered trademarks and Windows is a trademark of Microsoft Corporation (U.S. patent numbers 4955066 and 4974159).

For warranty information, see the Support and Service booklet.

Hewlett-Packard Company
Mobile Computing Division
1000 N.E. Circle Blvd.
Corvallis, OR 97330, U.S.A.

Edition History

Edition 1 March 1996
Edition 2 November 1996



This manual is printed on recycled paper.


Contents

Using OmniBook Accessories	1-5
Removing Accessory Modules	1-7
To remove accessories from the center drive bay	1-8
Using the Floppy Drive	1-9
To install the floppy drive internally	1-9
To install the floppy drive externally	1-10
To insert or remove a floppy disk	1-11
Using the CD-ROM Drive	1-12
To install the CD-ROM drive	1-12
To insert or remove a CD	1-14
To use the CD-ROM drive safely	1-15
Managing Battery Power	1-16
To replace the battery	1-17
To install a high-capacity battery	1-18
To handle and store the battery safely	1-19
Installing a New Hard Drive	1-20
To remove the hard drive	1-21
To install drive C	1-22
To install your OmniBook software	1-22
Troubleshooting	1-25
Solving Basic Problems	1-27
To resolve floppy disk drive problems	1-27
To resolve CD-ROM drive problems	1-28
To resolve battery problems	1-28
To resolve hard drive problems	1-29
Specifications and Regulatory Information	1-33
Hardware Specifications	1-35
Regulatory Information	1-36
U.S.A.	1-36
Canada	1-37
Japan	1-37
Europe	1-38
Europe	1-39



Using OmniBook Accessories

Using OmniBook Accessories



The OmniBook Accessories *User's Guide* describes OmniBook accessories and shows you how to install and use them. For complete information about operating the OmniBook consult the OmniBook *User's Guide*—an online manual.

This manual explains how to

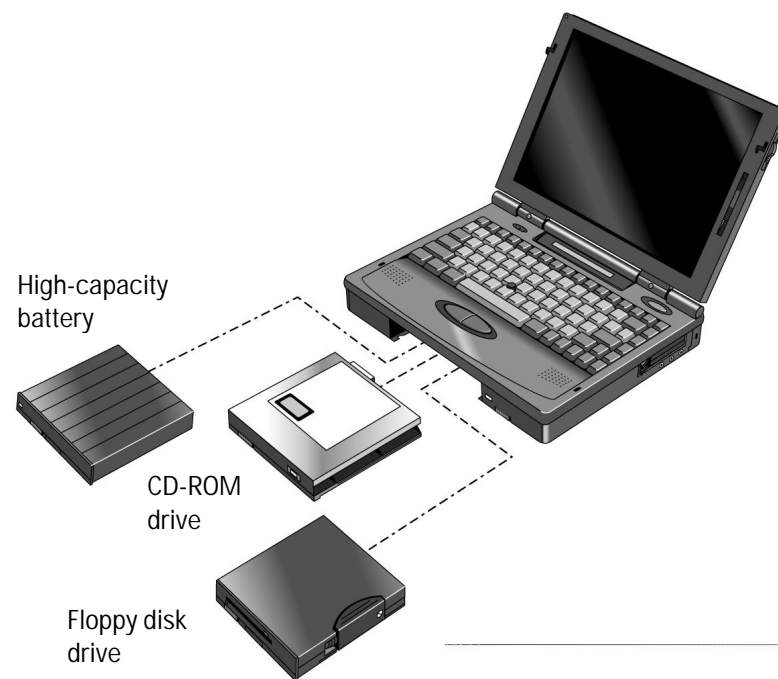
- ◆ Remove accessory modules.
- ◆ Install and use the floppy disk drive.
- ◆ Install and use the CD-ROM drive.
- ◆ Install the high-capacity battery pack.
- ◆ Replace the OmniBook battery pack.
- ◆ Upgrade the OmniBook with a new hard drive.

Removing Accessory Modules

The OmniBook's center drive bay can hold any of the following accessories:

- ◆ CD-ROM drive.
- ◆ Floppy disk drive.
- ◆ High-capacity battery for extra battery power.

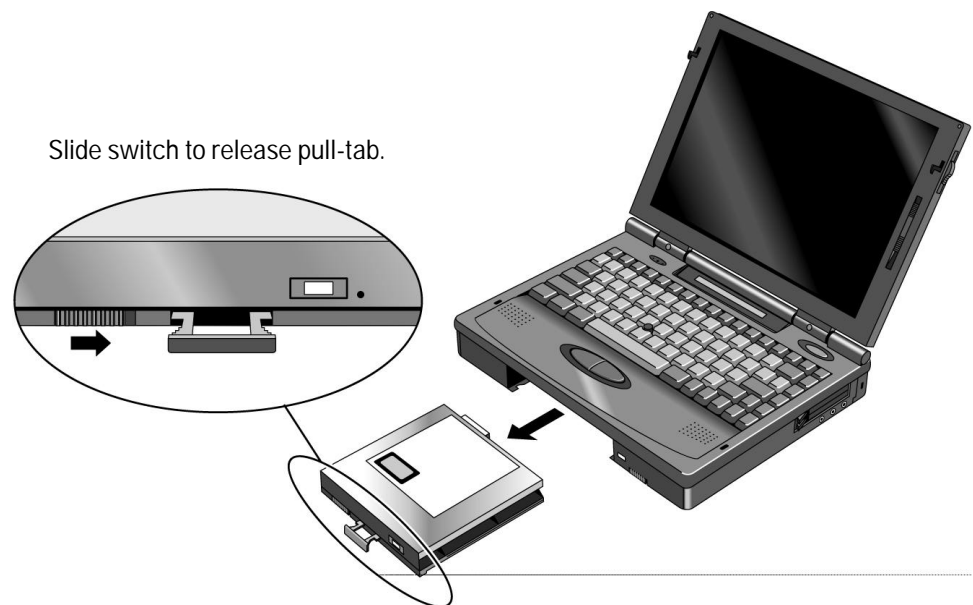
This section describes how to remove the accessory modules from the center drive bay. (See "Installing a New Hard Drive" on page 1-20 for instructions about removing the hard drive.)



To remove accessories from the center drive bay

The OmniBook's center drive bay can hold a CD-ROM drive, a floppy disk drive, or a high-capacity battery for extra battery power. Use the following procedure to remove any of these devices from the OmniBook.

1. Slide the switch to the right. A pull-tab pops out.
2. Pull the pull-tab firmly to remove the module from the OmniBook.
3. Push the pull-tab back into the module after you remove the it from the OmniBook.



Using the Floppy Drive

You can install the floppy drive in the center drive bay or attach it externally to the parallel port.

This section describes how to

- ◆ Install the floppy drive internally.
- ◆ Install the floppy drive externally.
- ◆ Insert and remove a floppy disk.

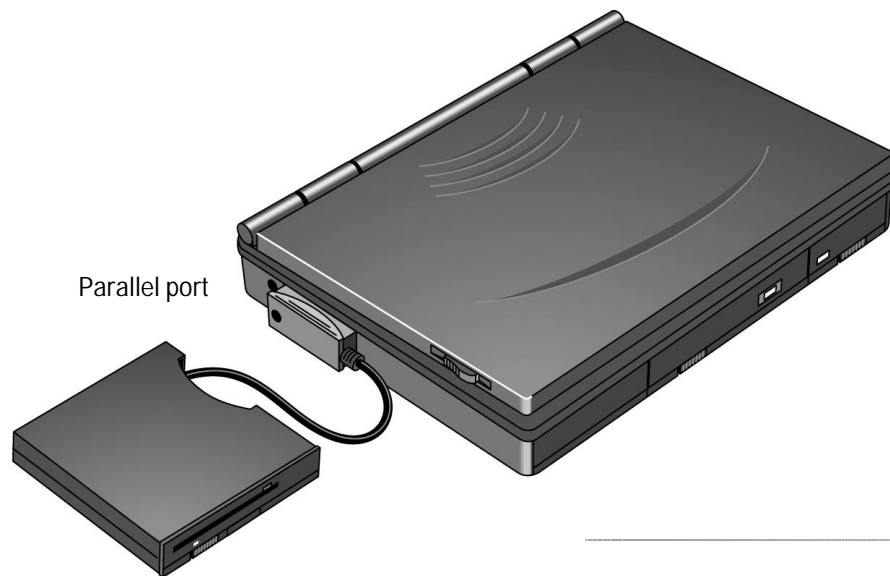
To install the floppy drive internally

1. If necessary, remove the CD-ROM drive or super battery from the OmniBook.
2. Slide the floppy drive into the OmniBook until it clicks into place.



To install the floppy drive externally

1. Pull out the floppy drive cable from the disk drive.
2. Connect the cable to the parallel port on the left side of the OmniBook.



Important

The external floppy drive works only with the OmniBook's parallel port. It does not work with the parallel port on the docking system.

To insert or remove a floppy disk

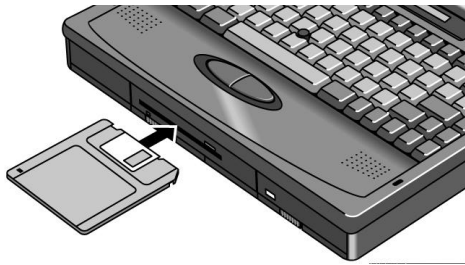


When the OmniBook is reading or writing data to the floppy drive, the floppy disk icon appears on the Status panel.

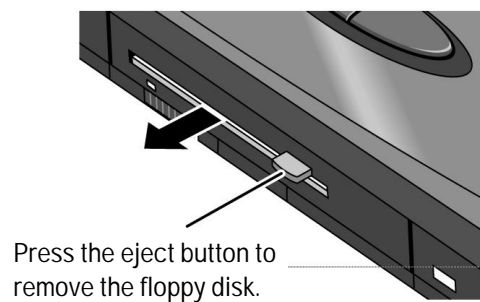
CAUTION

Do not remove a floppy disk while the OmniBook is actively reading or writing data. Wait until the floppy drive is done —otherwise, you could lose data or the OmniBook could stop responding.

1. Hold the disk with its face up, then slide it into the floppy drive slot until it clicks into place.



2. To remove the floppy disk, press the eject button.



Using the CD-ROM Drive

You install the CD-ROM drive in the center drive bay of the OmniBook. If you want to use both the CD-ROM drive and the floppy disk drive, connect the floppy disk drive to the OmniBook's parallel port.

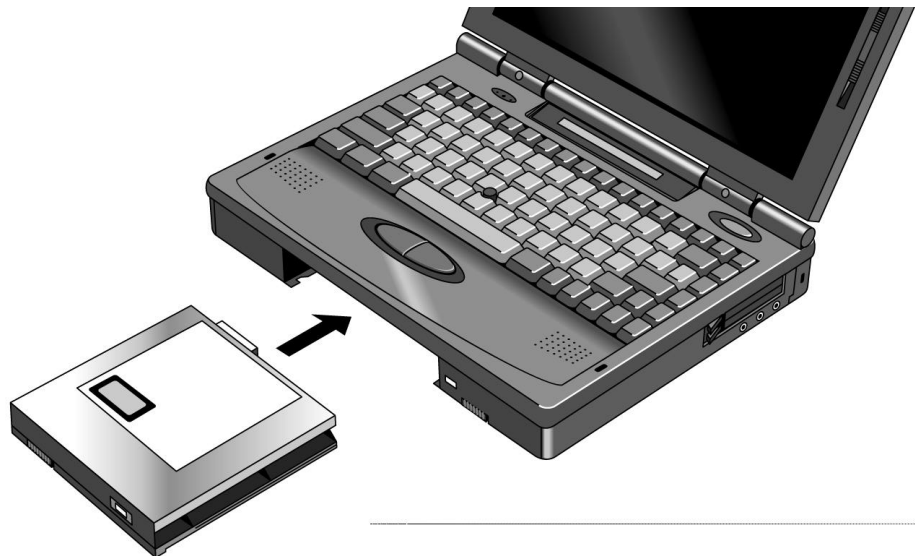
This section describes how to

- ◆ Install the CD-ROM drive.
- ◆ Insert and remove a CD.
- ◆ Use the CD-ROM drive safely.

To install the CD-ROM drive

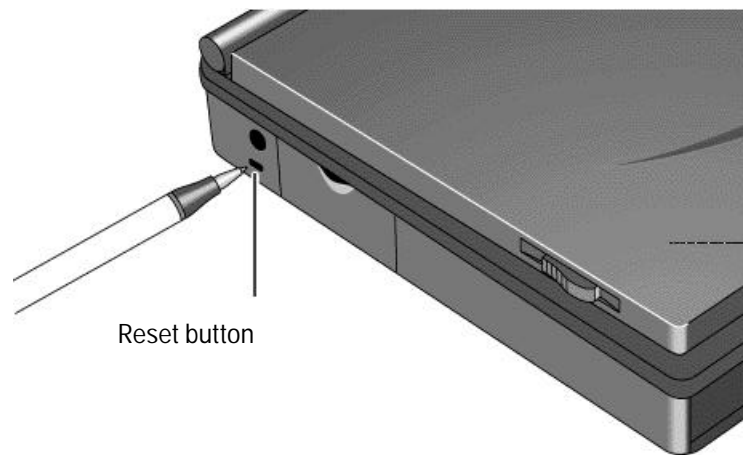
If you're using Windows 95

1. If necessary, remove the floppy drive or super battery from the OmniBook.
2. Slide the CD-ROM drive into the OmniBook until it clicks into place.



If you're using Windows for Workgroups

1. Save your work—you'll be resetting the OmniBook.
2. If necessary, remove the floppy drive or super battery from the OmniBook.
3. Slide the CD-ROM drive into the OmniBook until it clicks into place.
4. Press the reset button.



Insert a ball-point pen tip or other slender object into the reset-button hole in the left side of the case, below the ac adapter socket. Push in momentarily—the system resets and reboots.

To insert or remove a CD

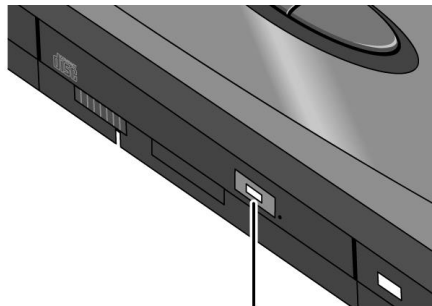


When the OmniBook is reading data from the CD-ROM drive, the CD disk icon appears on the Status panel.

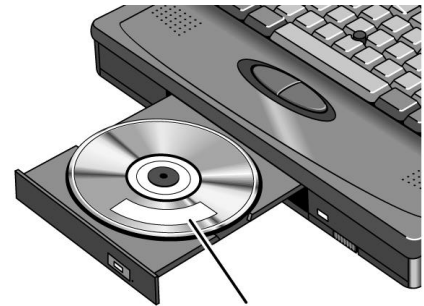
CAUTION

Do not remove a CD while the OmniBook is actively reading data. Wait until the CD-ROM drive is done —otherwise, the OmniBook could stop responding.

1. Press the open button on the front of the CD-ROM drive.
2. Place the CD in the drive and gently press down in the center of the CD to seat it on the spindle.
3. Close the door to the drive.
4. To remove the CD, press the open button on the front of the CD-ROM drive.



Press to open CD-ROM drive.



Keep CD label up.

To use the CD-ROM drive safely

The CD-ROM drive used with the OmniBook is certified as a Class 1 laser device according to the U.S. Department of Health and Human Services (DHHS) Radiation Performance standard and international standards IEC 825 / IEC 825-1 (EN60825 / EN60825-1). This device is not considered harmful, but the following precautions are recommended:

- Ensure proper use by reading and following the instructions carefully.
- If the unit requires service, contact an authorized HP service center—see the OmniBook *Support and Service* booklet.
- Do not attempt to make any adjustment of the unit.
- Avoid direct exposure to the laser beam—do not open the unit.

CLASS 1 LASER PRODUCT LASERSCHÜTZKLASSE 1 PRODUKT

Managing Battery Power

The primary source of power for the OmniBook is its rechargeable battery. The OmniBook provides several safeguards so that you won't be surprised by a dead-battery condition—the status panel shows the remaining battery charge and built-in warnings are displayed for low-battery conditions.

To preserve your current work session, the OmniBook automatically turns off when the battery charge gets too low—your session continues when you plug in the ac adapter or insert a fresh battery.

This section describes how to

- ◆ Replace the OmniBook's battery.
- ◆ Install a high-capacity battery.
- ◆ Handle and store the battery pack safely.

To replace the battery



The shading of the battery symbol on the status panel shows the approximate charge level of the battery relative to a full charge. The battery symbol blinks when the battery is low.

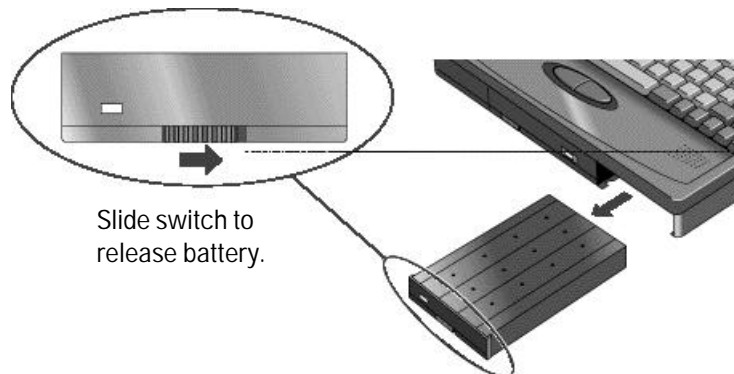
The lightning bolt symbol appears on the status panel when the battery is charging.

1. Important

Save your work.

2. If available, plug in the OmniBook's ac adapter.

3. Slide the battery switch to the right and slide the battery out of its compartment.



4. Slide the new battery all the way into the battery compartment.

To install a high-capacity battery

To increase the time you can work on battery power, you can install a second, high-capacity battery in the OmniBook's center drive bay.

1. Important
Save your work.
2. If necessary, remove the floppy drive or CD-ROM drive from the OmniBook.
3. Slide the high-capacity battery into the OmniBook until it clicks into place.

A second Battery Status icon appears in the LCD status panel, showing the charge level of the new battery.



Fully charged battery



To handle and store the battery safely

To safely use the battery, follow the instructions below:

CAUTION

Do not mutilate, puncture, or dispose of the battery in fire. The battery can burst or explode, releasing hazardous chemicals. A rechargeable battery pack must be recycled or disposed of properly.

- When the battery is not in use, store it in the battery pouch provided.
- Do not allow a metal object to touch across the battery contacts. This can damage your battery pack and may cause the metal object to get hot.
- Do not disassemble. There are no serviceable parts inside.
- Handle a damaged or leaking lithium-ion battery with extreme care. If you come in contact with the electrolyte, wash the exposed area with soap and water. If it contacts the eye, flush the eye with water for 15 minutes and seek medical attention.
- Do not expose the battery pack to high storage temperatures (above 60 °C, 140 °F).
- Do not dispose of the battery pack in fire.
- The battery pack is suitable for use only with an HP OmniBook 5500 and F1338A battery charger.
- To obtain a replacement battery, contact your local dealer or HP sales office.
- When discarding a battery pack, contact your local waste disposal provider regarding local restrictions on the disposal or recycling of batteries.
- Do not charge the battery pack if the ambient temperature exceeds 45 °C (113F).



Installing a New Hard Drive

You can upgrade the OmniBook system by installing a new hard drive or you may want to switch hard drives between OmniBooks.

In this section you'll learn how to

- Remove the hard drive.
- Install a new hard drive.
- Install software on a new hard drive.

To remove the hard drive

1. Important

Back up all the files on your current drive C. You can back up the files to a tape drive, a network drive, a PC card, or a flexible disk.

2. Unplug the adapter.

3. Exit Windows.

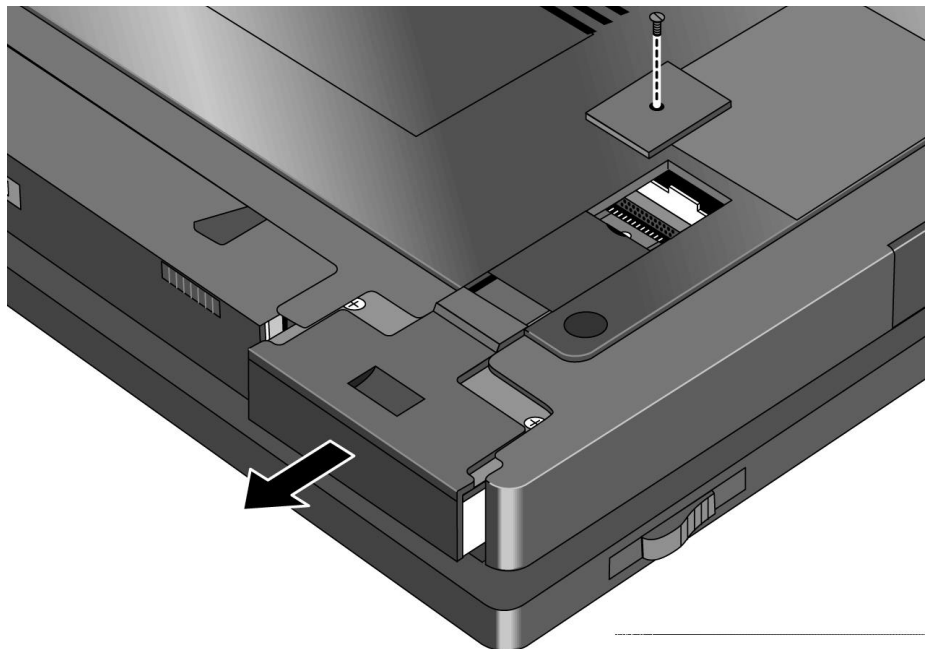
- If you're using Windows 95, use the shutdown option from the Start menu.
- If you're using Windows for Workgroups, exit Windows, then press CTRL+ALT+blue On/Off button simultaneously.

4. Remove all batteries from the OmniBook.

5. Close the cover and turn your computer over.

6. Remove the screw and security cover located at the back of the hard disk drive.

7. Firmly slide the drive out of the drive compartment. (This requires some force.)



To install drive C

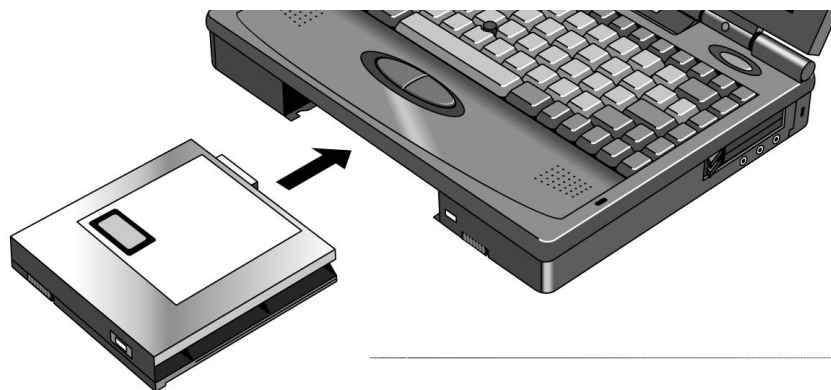
After following the instructions for removing drive C, use the next procedure to install the new hard drive.

1. Gently press downwards on the hard drive while you slide it into the drive bay.
2. Make sure the drive is fully inserted.
3. Replace the screw and security cover.
4. Replace the battery or attach ac power.
5. Press the reset button.

To install your OmniBook software

The following procedure describes how to install your original OmniBook software using the OmniBook's internal CD-ROM drive—or an external CD-ROM drive connected to the OmniBook's docking system.

1. Plug in the ac adapter in case the battery is low.
 2. Install the CD-ROM drive in your OmniBook.
- or—
Connect a CD-ROM drive to the docking system and dock the OmniBook.



3. Connect the floppy drive to the parallel port.
4. Insert the *Support Utility* floppy disk in the floppy drive.
5. Insert the *Recovery* CD in the CD-ROM drive.
6. Press CTRL+ALT+DEL, or press the reset button. This restarts your OmniBook from the floppy drive.
7. When you see a menu of startup options, select option 2—Reinstall All Files. If you don't have an OmniBook docking system or an OmniBook CD-ROM drive, select option 1 for instructions. It's a good idea to read this file for the most up-to-date information.
8. Follow the instructions on your screen. When the process finishes, your hard disk contains the original files that came with your OmniBook.



Troubleshooting

Troubleshooting

If you run into problems installing your OmniBook accessories, you can use the suggestions in this chapter for getting back on track.



Hints

If you're having a problem—and Windows is running on your OmniBook—see the online OmniBook *User's Guide*. Its troubleshooting chapter contains more troubleshooting information.

If you have questions that this manual doesn't answer, you can

- See the online OmniBook *User's Guide*—it's your main source of information about using the OmniBook. It includes extensive troubleshooting information.
- Check with your computer system administrator, if you have one.
- Contact your dealer, or contact Hewlett-Packard—see the OmniBook *Support and Service* booklet or OmniBook Support in the online OmniBook Library.

Solving Basic Problems

If your OmniBook accessory doesn't seem to work properly, find the symptom below that matches your situation. Try the suggestions one at a time.

This section separates problems into the following categories:

- ◆ Floppy disk drive problems.
- ◆ CD-ROM drive problems.
- ◆ Battery problems.
- ◆ Hard drive problems.

To resolve floppy disk drive problems

If a floppy drive doesn't work

- Remove and reinsert the floppy disk.
- Check to see that the floppy disk drive configuration is correct. Note that the floppy drive will not work on the dock parallel port—only on the OmniBook parallel port.
 1. Press FN+F2 to start the System Configuration utility.
 2. From the Disks menu, click Floppy Disk Drive.
 3. Select 1.44 Mb and click OK.
 4. From the Exit menu, click Save and Exit.
 5. Click OK.

If the OmniBook doesn't reboot successfully from drive A

- If the OmniBook doesn't reboot from drive A, press FN+F2 to start the System Configuration utility. Check that the floppy drive is the first boot device.

To resolve CD-ROM drive problems

Excessive static electricity discharges may cause the CD-ROM drive to stop working. If the CD-ROM drive stops responding

- Remove and insert the CD-ROM drive again.
- Save your work, then press CTRL+ALT+DEL to reboot.
- If nothing happens, reset the OmniBook (see page 1-13).

To resolve battery problems

If the OmniBook doesn't turn on with a fresh battery

- The new battery pack may be low. Plug in the ac adapter.
- If nothing happens, reset the OmniBook (see page 1-13).

If the battery pack doesn't charge or stops charging

- Check that the battery is fully installed and locked in place.
- Turn off the OmniBook, then check that the battery contacts are clean and that the ac adapter cables are fully plugged in.
- Move the OmniBook away from any nearby heat source. Unplug the ac adapter and allow the battery to cool down. An elevated battery temperature prevents charging.

If the battery runs down too fast

- If the operating time has gotten shorter and the battery pack is more than a year or two old, you may need a new battery .

If the OmniBook turns off immediately after it turns on

- Battery power is probably extremely low. Plug in the ac adapter, or turn off the OmniBook and insert a fresh battery .

If the OmniBook stops responding

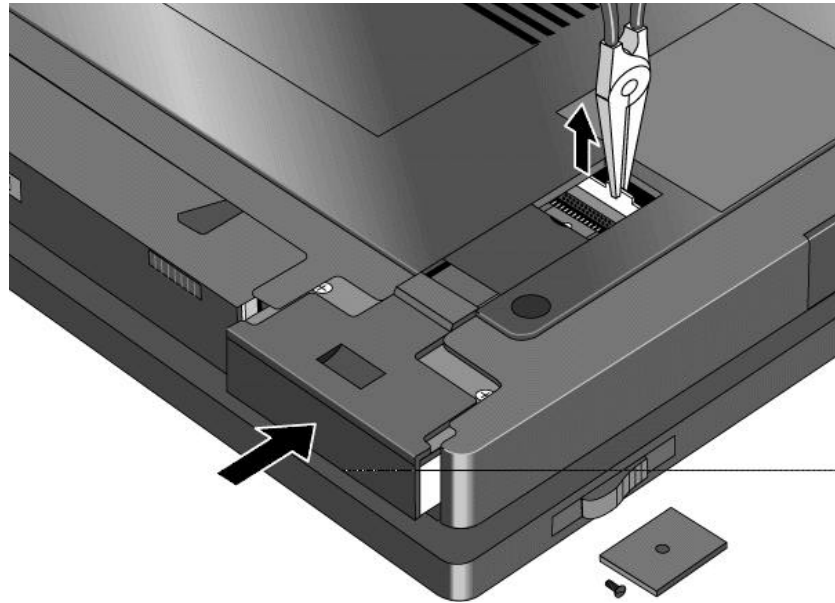
- Try waiting a few moments, then try turning it off and on.
- Press CTRL+ALT+DEL to reboot.
- If nothing happens, press the reset button.

To resolve hard drive problems

If your system doesn't boot from drive C

- Make sure the hard disk is inserted completely in the unit. It may be necessary to use a small pair of pliers to pull up on the PC-board tab. While pulling up on the tab, gently press downwards on the hard drive while you slide it into the drive bay.

Troubleshooting
Solving Basic Problems



- Make sure a floppy disk isn't inserted in drive A.

If the OmniBook doesn't reboot successfully

If your operating system is MS-DOS or Windows for Workgroups

- If no text is displayed, or if things stop before you see any text about MS-DOS, the unit probably requires service.
- If you see error messages during startup, but Windows starts or you get an MS-DOS prompt, exit Windows. Then type `scandisk` to fix problems with drive C. Then press CTRL+ALT+DEL to reboot—but at the “MS-DOS Startup Menu,” press F8 ENTER and step through each startup command to find where the problem occurs. Repair or restore the necessary files as indicated.
- If you see text about MS-DOS but things stop before Windows starts or before you get an MS-DOS prompt, insert the *Support Utility* disk or other boot disk in the floppy drive, then press CTRL+ALT+DEL to reboot from drive A—then choose the Minimum Startup option. (If the unit doesn't reboot from a floppy boot disk, the unit probably requires service.)

If it reboots, type `dir c:` to see if drive C contains valid files. Then try the following:

- If drive C has valid files, try typing these commands:
 - `scandisk c:` (to repair any defects)
 - `sys a: c:` (to restore core MS-DOS files).
- Last resort: The following commands delete all files on drive C, so you must reinstall your files after running these commands:
 - `fdisk` (to reinitialize drive C)
 - `format c: /u` (to prepare drive C for storing data)

Then reinstall all of the original files on drive C using the *HP Recovery CD* and *Support Utility* disk. See “If you need to install all original files on drive C” in this section.

If your operating system is Windows 95

- If no text is displayed during reboot, or if things stop before you see “Starting Windows 95...”, the unit probably requires service.
- If you see “Starting Windows 95...” during startup followed by error messages, reboot again—but when you see “Starting Windows 95...”, press F8 to get the startup menu. Choose a startup option that might help you discover or fix the problem.
 - Use the “safe mode” option to start Windows with a basic configuration. Run ScanDisk (in System Tools) to fix problems with drive C. You can also make other changes to repair your startup files.
 - Use the “step-by-step” option to step through each startup command to find where problems occur, so you can repair or restore any files indicated.
- If drive C (the hard disk) isn’t working properly, insert the *Support Utility* floppy disk in the floppy drive, then press CTRL+ALT+DEL to reboot from drive A—then choose the Minimum Startup option. At the MS-DOS prompt, type `scandisk c:` to fix certain problems with drive C. You can use other commands on drive A to try to repair drive C. Then remove the floppy disk and try rebooting again. If it still doesn’t start, you could try reinstalling all of the original files on drive C—see “If you need to reinstall all original files on drive C” below.

**Specifications and Regulatory
Information**

Specifications and Regulatory Information

Your OmniBook accessories are designed to provide trouble-free operation. The following suggestions can help you while working with your OmniBook:

- ◆ Observe the temperature limits and other specifications listed in the next section.
- ◆ If you have problems, see the problem-solving suggestions and references listed in chapter 2.
- ◆ If you think your OmniBook might need repair service, see the warranty and service information in the *Support and Service* booklet.

To contact Hewlett-Packard

If you have questions that the OmniBook manuals don't answer (even after looking in the contents and index), you can contact Hewlett-Packard at the address or phone number listed in the *Support and Service* booklet or in OmniBook Support in the online OmniBook Library. Please have your OmniBook with you.

Hardware Specifications

Floppy disk drive	Modular 3.5 inch 1.44-MB floppy disk drive with self-contained parallel cable for internal or external use with OmniBook 5500 series. Can be exchanged with a second battery or CD-ROM drive module.	
Hard disk drive	Modular 2.5-inch IDE drive. Available capacities: 810 MB, 1.35 GB, and 2.0 GB.	
CD-ROM drive	Modular 4x or 6x speed drive. Photo-CD and CD-plus multi-session specification compliant, multimedia PC-3 specification compliant, supports 1x, 2x, 4x, and 6x rotational speed, 4x and 6x sampling and digital filter for CD audio, software and manual eject. Can be exchanged with second battery or floppy disk drive module.	
Lithium battery	Small pack	Large pack
Capacity	35 Watt-Hr	52 Watt-Hr
Charging time	6 hours (with unit on) 4 hours (with unit off)	9 hours (with unit on) 6 hours (with unit off)
Operating hours	2.3 hours (typical) 1.7 hours (heavy use)	3.5 hours (typical) 2.4 hours (heavy use)
Temperature	Operating: 10 to 35 °C (50 to 95 °F) on TFT, 5 to 35 °C (41 to 95 °F) on DSTN. Storage: -40 to 60 °C (-40 to 140 °F). The unit may not operate properly below 5 °C (41 °F), but it can be stored at temperatures down to -40°C (-40°F) without damaging the hardware.	
Humidity	Operating: 90% relative humidity at 35 °C (95°F) maximum. Storage: 90% relative humidity at 60 °C (140 °F) maximum.	

Regulatory Information

This section presents information that shows how the HP F1195A complies with regulations in certain regions. Any modifications to the OmniBook not expressly approved by Hewlett-Packard could void the authority to operate the OmniBook in these regions.

U.S.A.

The HP F1195A generates and uses radio frequency energy and may interfere with radio and television reception. The floppy drive complies with the limits for a Class B computing device as specified in Part 15 of FCC Rules, which provide reasonable protection against such interference in a residential installation. The "FCC ID" number for this product is listed on the bottom of the unit. In the unlikely event that there is interference to radio or television reception (which can be determined by removing the unit's batteries and ac adapter), try the following:

- Reorienting or relocating the receiving antenna.
- Relocating the floppy drive with respect to the receiver.
- Connecting the OmniBook ac adapter to another power outlet.

Connections to Peripheral Devices

To maintain compliance with FCC Rules and Regulations, use properly shielded cables with this device.

For more information, consult your dealer, an experienced radio/television technician, or the following booklet, prepared by the Federal Communications Commission: *How to Identify and Resolve Radio-TV Interference Problems*. This booklet is available from the U.S. Government Printing Office, Washington, DC 20402, Stock Number 004-000-00345-4. At the first printing of this manual, the telephone number was (202) 512-1800.

Canada

This digital apparatus does not exceed the Class B limits for radio noise emissions from digital apparatus as set out in the radio interference regulations of the Canadian Department of Communications.

Le présent appareil numérique n'émet pas de bruits radioélectriques dépassant les limites applicables aux appareils numériques de Classe B prescrites dans le règlement sur le brouillage radioélectrique édicté par le Ministère des Communications du Canada.

Japan

この装置は、情報処理装置等電波障害自主規制協議会（VCCI）の基準に基づく第二種情報技術装置です。この装置は、家庭環境で使用することを目的としていますが、この装置がラジオやテレビジョン受信機に近接して使用されると、受信障害を引き起こすことがあります。

取扱説明書に従って正しい取り扱いをして下さい。

Europe

Products sold in Europe by Hewlett-Packard and its authorized dealers meet the specifications listed below.

Declaration of Conformity (according to ISO/IEC Guide 22 and EN 45014)

Manufacturer: Hewlett-Packard Company
Address: Hewlett-Packard Co.
Mobile Computing Division
1000 NE Circle Blvd.
Corvallis, OR 97330
declares that the following products
Product name: HP F1195A internal/external floppy disk drive
Options: All
conforms to the following product specifications
Safety: IEC 950:1991+A1,A2 / EN 60950 (1992)+A1,A2
EMC: CISPR 22:1993 / EN 55022 (1994): Class B [1]
EN 50082-1:1992
IEC 801-2:1991 / prEN 55024-2 (1992): 4kV CD, 8kV AD
IEC 801-3:1984 / prEN 55024-3 (1991): 3V/m
IEC 801-4:1988 / prEN 55024-4 (1992): 0.5 kV signal lines, 1.0kV power lines
Supplementary Information: The product herewith complies with the requirements of the EMC Directive 89/336/EEC.

The HP F1044B ac adapter used with this product is disconnected from the power by unplugging the power cord from the power outlet or from the ac adapter. Therefore, the power outlet should be located close to the product and be easily accessible.

[1] The product was tested in a typical configuration with Hewlett-Packard personal computer peripherals.

Quality Department
Hewlett-Packard Company
Mobile Computing Division

Europe

Products sold in Europe by Hewlett-Packard and its authorized dealers meet the specifications listed below.

Declaration of Conformity (according to ISO/IEC Guide 22 and EN 45014)

Manufacturer:	Hewlett-Packard Company
Address:	Hewlett-Packard Co. Mobile Computing Division 1000 NE Circle Blvd. Corvallis, OR 97330
Product name:	declares that the following products HP F1319A or HP F1336A CD-ROM drive
Options:	All
Safety:	conforms to the following product specifications IEC 950:1991+A1,A2 / EN 60950 (1992)+A1,A2 IEC 825/IEC 825-1 (EN60825/EN60825-1:1994)
EMC:	CISPR 22:1993 / EN 55022 (1994): Class B [1] EN 50082-1:1992 IEC 801-2:1991 / prEN 55024-2 (1992): 4kV CD, 8kV AD IEC 801-3:1984 / prEN 55024-3 (1991): 3V/m IEC 801-4:1988 / prEN 55024-4 (1992): 0.5 kV signal lines, 1.0kV power lines
Supplementary Information:	The product herewith complies with the requirements of the EMC Directive 89/336/EEC.

The HP F1044B ac adapter used with this product is disconnected from the power by unplugging the power cord from the power outlet or from the ac adapter. Therefore, the power outlet should be located close to the product and be easily accessible.

[1] The product was tested in a typical configuration with Hewlett-Packard personal computer peripherals.

Quality Department
Hewlett-Packard Company
Mobile Computing Division

