

---

HP OmniBook 4100/4150

**Reference Guide**

---

## Notice

This manual and any examples contained herein are provided “as is” and are subject to change without notice. Hewlett-Packard Company makes no warranty of any kind with regard to this manual, including, but not limited to, the implied warranties of merchantability and fitness for a particular purpose. Hewlett-Packard Co. shall not be liable for any errors or for incidental or consequential damages in connection with the furnishing, performance, or use of this manual or the examples herein.

Consumer transactions in Australia and the United Kingdom: The above disclaimers and limitations shall not apply to Consumer transactions in Australia and the United Kingdom and shall not affect the statutory rights of Consumers.

© Copyright Hewlett-Packard Company 1998. All rights reserved. Reproduction, adaptation, or translation of this manual is prohibited without prior written permission of Hewlett-Packard Company, except as allowed under the copyright laws.

The programs that control this product are copyrighted and all rights are reserved. Reproduction, adaptation, or translation of those programs without prior written permission of Hewlett-Packard Co. is also prohibited.

Portions of the programs that control this product may also be copyrighted by Microsoft Corporation, SystemSoft Corp., Crystal Semiconductor Corporation, Phoenix Technologies, Ltd., and NeoMagic Corporation. See the individual programs for additional copyright notices.

Microsoft, MS, MS-DOS, and Windows are registered trademarks of Microsoft Corporation. Pentium and the Intel Inside logo are U.S. registered trademarks and MMX is a U.S. trademark of Intel Corporation. TrackPoint is a U.S. registered trademark of International Business Machines.

For warranty information, see the *Support and Service* booklet.

**Hewlett-Packard Company**  
**Mobile Computing Division**  
19310 Pruneridge Ave.  
Cupertino, CA 95014

---

# HP Software Product License Agreement

Your HP OmniBook PC contains factory-installed software programs. Please read the Software License Agreement before proceeding.

Carefully read this License Agreement before proceeding to operate this equipment. Rights in the software are offered only on the condition that the customer agrees to all terms and conditions of the License Agreement. Proceeding to operate the equipment indicates your acceptance of these terms and conditions. If you do not agree with the terms of the License Agreement, you must now either remove the software from your hard disk drive and destroy the Recovery CD, or return the complete computer and software for a full refund.

Proceeding with configuration signifies your acceptance of the License Terms.

Unless otherwise stated below, this HP Software Product License Agreement shall govern the use of all software that is provided to you, the customer, as part of the HP computer product. It shall supersede any non-HP software license terms that may be found online, or in any documentation or other materials contained in the computer product packaging.

**Note:** Operating System Software by Microsoft is licensed to you under the Microsoft End User License Agreement (EULA) contained in the Microsoft documentation.

The following License Terms govern the use of the software:

**Use.** Customer may use the software on any one computer. Customer may not network the software or otherwise use it on more than one computer. Customer may not reverse assemble or decompile the software unless authorized by law.

**Copies and Adaptations.** Customer may make copies or adaptations of the software (a) for archival purposes or (b) when copying or adaptation is an essential step in the use of the software with a computer so long as the copies and adaptations are used in no other manner.

**Ownership.** Customer agrees that he/she does not have any title or ownership of the software, other than ownership of the physical media. Customer acknowledges and agrees that the software is copyrighted and protected under the copyright laws. Customer acknowledges and agrees that the software may have been developed by a third party software supplier named in the copyright notices included with the software, who shall be authorized to hold the Customer responsible for any copyright infringement or violation of this Agreement.

**Product Recovery CD-ROM.** If your computer was shipped with a product Recovery CD-ROM: (i) The product recovery CD-ROM and/or support utility software may only be used for restoring the hard disk of the HP computer with which the product recovery CD-ROM was originally provided. (ii) The use of any operating system

software by Microsoft contained in any such product recovery CD-ROM shall be governed by the Microsoft End User License Agreement (EULA).

**Transfer of Rights in Software.** Customer may transfer rights in the software to a third party only as part of the transfer of all rights and only if Customer obtains the prior agreement of the third party to be bound by the terms of this License Agreement. Upon such a transfer, Customer agrees that his/her rights in the software are terminated and that he/she will either destroy his/her copies and adaptations or deliver them to the third party.

**Sublicensing and Distribution.** Customer may not lease, sublicense the software or distribute copies or adaptations of the software to the public in physical media or by telecommunication without the prior written consent of Hewlett-Packard.

**Termination.** Hewlett-Packard may terminate this software license for failure to comply with any of these terms provided Hewlett-Packard has requested Customer to cure the failure and Customer has failed to do so within thirty (30) days of such notice.

**Updates And Upgrades.** Customer agrees that the software does not include updates and upgrades which may be available from Hewlett-Packard under a separate support agreement.

**Export Clause.** Customer agrees not to export or re-export the software or any copy or adaptation in violation of the U.S. Export Administration regulations or other applicable regulation.

**U.S. Government Restricted Rights.** Use, duplication, or disclosure by the U.S. Government is subject to restrictions as set forth in subparagraph (c)(1)(ii) of the Rights in Technical Data and Computer Software clause in DFARS 252.227-7013. Hewlett-Packard Company, 3000 Hanover Street, Palo Alto, CA 94304 U.S.A. Rights for non-DOD U.S. Government Departments and Agencies are as set forth in FAR 52.227-19(c)(1,2).

---

## Edition History

Edition 1 ..... September 1998



This manual is printed on recycled paper.

---

# Contents

<b>1. Introducing the OmniBook</b> .....	<b>1-1</b>
Taking Inventory .....	1-3
Included in the OmniBook 4100/4150 box .....	1-3
To buy OmniBook accessories .....	1-4
OmniBook features .....	1-5
Setting Up Windows .....	1-8
To set up the OmniBook .....	1-9
Configuring the OmniBook with the BIOS Setup Utility .....	1-11
To run the BIOS Setup utility .....	1-11
Configuring the OmniBook with TopTools .....	1-17
To install TopTools .....	1-17
To run TopTools .....	1-17
To get more information about TopTools .....	1-17
<b>2. Operating the OmniBook</b> .....	<b>2-1</b>
Starting and Stopping the OmniBook .....	2-3
To start and stop the OmniBook .....	2-3
To reset the OmniBook .....	2-4
Using the OmniBook Pointing Devices .....	2-5
To use the built-in pointing devices .....	2-6
To activate full touch pad capabilities .....	2-7
To activate full pointing stick capabilities .....	2-8
To configure pointing devices .....	2-8
Using the OmniBook Display .....	2-9
To adjust the display brightness .....	2-9
To extend the life of the display .....	2-9
To suspend the OmniBook when closing the display .....	2-10
Adjusting the Audio System .....	2-11
To adjust the volume manually .....	2-11
To adjust the volume in Windows .....	2-11
Using the OmniBook Keyboard .....	2-12
To use the Fn hot keys .....	2-13
To use the Windows keys .....	2-14
To use the embedded keypad .....	2-14
To use the ALT GR key .....	2-15
Checking the Status of the OmniBook .....	2-16
To interpret the status lights .....	2-16
Protecting the OmniBook .....	2-18
To set or change a password .....	2-19

To delete a password . . . . .	2-20
To install the McAfee VirusScan utility . . . . .	2-20
To attach a security cable . . . . .	2-21
To set PC identification . . . . .	2-22
To enable hard disk drive lock . . . . .	2-22
<b>3. Managing Battery Power . . . . .</b>	<b>3-1</b>
Monitoring Battery Power . . . . .	3-3
To check the battery status . . . . .	3-4
To respond to a low-battery warning . . . . .	3-4
To recharge a battery . . . . .	3-5
To replace the main battery . . . . .	3-6
To install a second battery . . . . .	3-7
Conserving Battery Power . . . . .	3-8
To install APM for Windows NT 4.0 . . . . .	3-8
To save battery power . . . . .	3-9
To set time-outs . . . . .	3-10
To get the most from your battery . . . . .	3-11
<b>4. Making Connections . . . . .</b>	<b>4-1</b>
Using OmniBook Plug-In Modules . . . . .	4-3
To install hot-swap support . . . . .	4-3
To replace a plug-in module . . . . .	4-4
To insert or eject a floppy disk . . . . .	4-5
To insert or remove a CD . . . . .	4-6
To change the boot order of a device . . . . .	4-7
Connecting External Devices . . . . .	4-8
To identify connectors for external devices . . . . .	4-9
To connect an external monitor . . . . .	4-10
To enable the built-in and external displays . . . . .	4-10
To change display settings in the BIOS Setup utility . . . . .	4-10
To connect a parallel device . . . . .	4-11
To connect a serial device . . . . .	4-11
To connect a serial mouse . . . . .	4-11
To connect an external keyboard or PS/2 mouse . . . . .	4-12
To connect USB devices . . . . .	4-12
To connect audio devices . . . . .	4-13
To make an infrared connection . . . . .	4-14
Using PC Cards . . . . .	4-15
To insert and remove a PC Card . . . . .	4-15
To find tested PC Cards . . . . .	4-16
To install Card Executive for Windows NT . . . . .	4-16
Using Docking Products . . . . .	4-17
To install a docking tray . . . . .	4-17

To dock the OmniBook . . . . .	4-18
To undock the OmniBook . . . . .	4-19
<b>5. Expanding the OmniBook . . . . .</b>	<b>5-1</b>
Installing a Hard Disk Drive . . . . .	5-3
To replace the hard disk drive . . . . .	5-3
To replace the hard disk drive holder . . . . .	5-4
To create a Hibernate partition . . . . .	5-5
Installing a RAM Expansion Module . . . . .	5-6
To install a RAM expansion module . . . . .	5-7
To remove a a RAM expansion module . . . . .	5-8
<b>6. Using the <i>Recovery CD</i> . . . . .</b>	<b>6-1</b>
Recovering Software . . . . .	6-3
To recover the factory installation of Windows . . . . .	6-4
To install the online <i>User's Handbook</i> . . . . .	6-5
To replace a damaged <i>Recovery CD</i> . . . . .	6-5
To install other operating systems . . . . .	6-5
To update the OmniBook BIOS . . . . .	6-6
<b>7. Troubleshooting . . . . .</b>	<b>7-1</b>
Solving Problems . . . . .	7-3
Accessory Problems . . . . .	7-3
Audio Problems . . . . .	7-4
Display Problems . . . . .	7-5
Hard Disk Drive Problems . . . . .	7-6
Keyboard and Pointing Device Problems . . . . .	7-7
Infrared Problems . . . . .	7-8
Memory Problems . . . . .	7-9
PC Card (PCMCIA) Problems . . . . .	7-9
Performance Problems . . . . .	7-10
Power and Battery Problems . . . . .	7-11
Printing Problems . . . . .	7-13
Serial, Parallel, and USB Problems . . . . .	7-14
Startup Problems . . . . .	7-15
Testing the Operation . . . . .	7-16
To create a diagnostic floppy disk . . . . .	7-16
To run the diagnostic test . . . . .	7-17

<b>8. Specifications and Regulatory Information</b> .....	<b>8-1</b>
Hardware Specifications .....	8-3
Software System Resources .....	8-6
Safety Information .....	8-8
Regulatory Information .....	8-11
U.S.A. ....	8-11
Canada .....	8-12
Japan .....	8-12
Europe .....	8-13



---

**Introducing the OmniBook**

---

---

## Introducing the OmniBook

Congratulations! Your OmniBook sets a new standard in personal computing. Although it's compact and easy to carry, the OmniBook is infused with the quality and attention to detail that are the hallmark of Hewlett-Packard.

The OmniBook *Quick Start* sheet shows how to get your OmniBook up and running quickly. This *Reference Guide* shows how to set up and operate the OmniBook, and it also shows what to do if you run into trouble.

This table lists other sources of supplementary information about OmniBook products.

Source	Address or Number
Online <i>User's Handbook</i>	This introduces the OmniBook and shows you the OmniBook basics. It also contains troubleshooting information (Start, Programs, OmniBook Library).
Online <i>OmniBook Notes</i>	For late-breaking information available after the manuals were completed, see OmniBook Notes (Start, Programs, OmniBook Library).
The introductory Microsoft manual for Windows 95, Windows 98, or Windows NT.	This is shipped with your OmniBook and contains information about using the standard features of Windows 95, Windows 98, or Windows NT 4.0.
OmniBook website	<a href="http://www.hp.com/omnibook">http://www.hp.com/omnibook</a> <a href="http://www.europe.hp.com/omnibook">http://www.europe.hp.com/omnibook</a> (European mirror)
<i>Corporate Evaluator's Guide</i>	The provides information about installing alternate operating systems, as well as how to configure the OmniBook in a corporate, networked environment. Located at the OmniBook website.
HP Support Assist CD-ROM	See the <i>Support and Service</i> booklet for telephone numbers.

---

## Taking Inventory

The HP OmniBook 4100 and 4150 represent a new category of HP notebook computers featuring the latest mobile technologies available. It uses high-speed Intel Pentium II processors with MMX technology, large TFT displays, and high-capacity hard drives.

This chapter describes

- ◆ What's included in the OmniBook shipment.
- ◆ Available OmniBook accessories.
- ◆ Description of OmniBook features.

---

## Included in the OmniBook 4100/4150 box

- HP OmniBook 4100 or 4150.
- Floppy disk drive (HP F1472A, installed).
- CD-ROM drive (HP F1474A).
- AC adapter (HP F1454A) and power cord.
- Lithium-ion battery (HP F1466A).
- Weight-saving module (installed).
- This OmniBook *Reference Guide*.
- Quick Start sheet.
- *Support and Service* booklet.
- *Working in Comfort* booklet.
- List of optional OmniBook accessories.
- OmniBook *Recovery CD*. Includes Windows recovery, operating system drivers and online *User's Handbook*.
- Microsoft Windows 95/Windows 98 manual.

–or–

Microsoft Windows NT 4.0 manual.

---

## To buy OmniBook accessories

Buy OmniBook accessories online! For the latest accessories and options, visit us at <http://www.hp.com/omnibook>. As new accessories become available, you'll find them listed here.

At the time of this printing, HP offers a variety of docking solutions, plugin modules, and other accessories, including the following:

- Docking system and monitor stand (HP F1477A).
- Mini dock (HP F1452A).
- Port replicator (HP F1451A).
- Floppy disk drive (HP F1472A).
- External floppy disk drive cable (HP F1473A).
- CD-ROM drive (HP F1474A).
- LS-120 drive (HP F1470A).
- DVD drive (HP F1465A).
- Lithium-ion battery (HP F1466A).

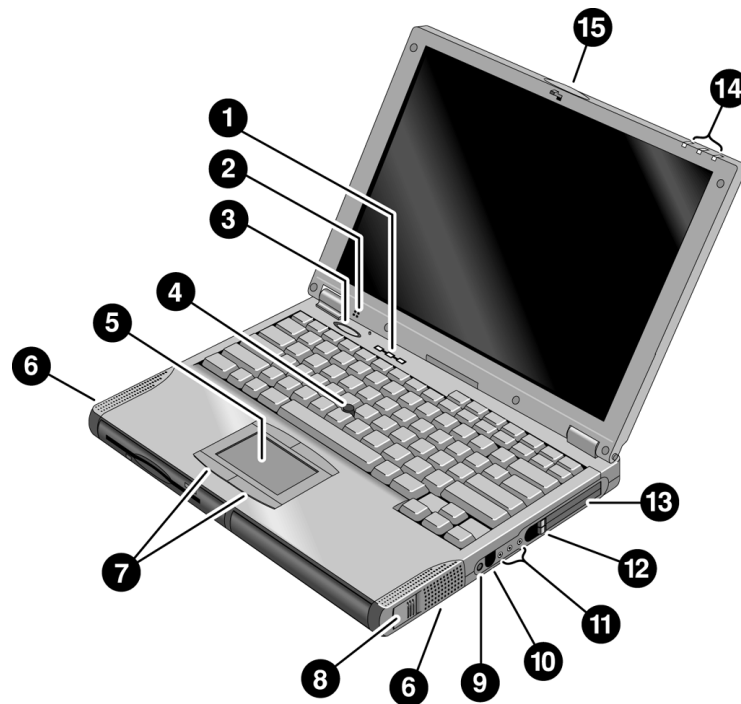
*You can install a second battery in the module bay.*

- PC Cards.
- SmartCard.
- Auto / airline adapter (HP F1455A).
- OmniBook carrying case.

---

## OmniBook features

### OmniBook—Front View



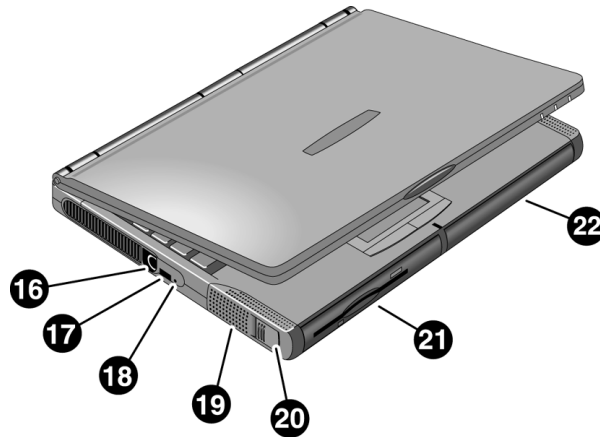
1. Keyboard status lights (left to right: caps lock, keypad lock, num lock).
2. Built-in microphone.
3. Blue power button.  
Turns the OmniBook on and off.
4. Pointing stick (pointing device).
5. Touch pad (pointing device).
6. Built-in speakers.
7. Click buttons (two above and two below touch pad).
8. Main battery release latch.

## Introducing the OmniBook

### Taking Inventory

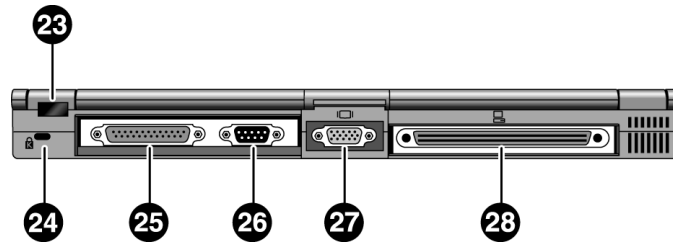
9. Mute button.
10. AC adapter jack.
11. Audio jacks (left to right): audio line-in, external microphone, audio line-out.
12. PC Card eject buttons (upper and lower PC Card slots).  
Press once to pop out the button, and press again to eject the card.
13. PC Card and CardBus slots (upper and lower).  
Accepts two Type-II cards or one Type-III card.
14. Main status lights (left to right): power state, hard disk activity, charging status.
15. Latch to open and close the OmniBook.

### OmniBook—Side View



16. PS/2 keyboard or PS/2 mouse port (supports Y adapter).
17. Universal serial bus port (USB). Windows NT 4.0 does not support USB.
18. System-off button (to shut down the OmniBook).
19. Built-in speakers.
20. Module release latch.
21. Plug-in module bay. Can contain a CD-ROM drive, floppy disk drive, LS-120 drive, DVD drive, second hard disk drive, or a second battery.
22. Battery bay.

**OmniBook—Back View**



- 23. Infrared port. Windows NT 4.0 does not support infrared communication.  
Use this port for wireless data transmission between the OmniBook and another computer or a printer with an infrared port. You must install infrared drivers.
- 24. Kensington lock slot (security connector).
- 25. Parallel port (LPT1).  
Use this port for a parallel printer, other parallel device, or to connect the floppy disk drive externally.
- 26. Serial port (COM1).  
Use this port for a serial mouse, a modem, a serial printer, or other serial device.
- 27. External monitor port.
- 28. Docking port.

---

## Setting Up Windows

The OmniBook has either Windows 95, Windows 98, or Windows NT 4.0 factory-installed on the hard disk drive. When your OmniBook starts up the first time, it takes you through a series of setup screens, including installation and or selection of the operating system.

This section describes how to set up the OmniBook with the factory-installed Windows operating system.

- ◆ Setting up the OmniBook for the first time.



---

## To set up the OmniBook

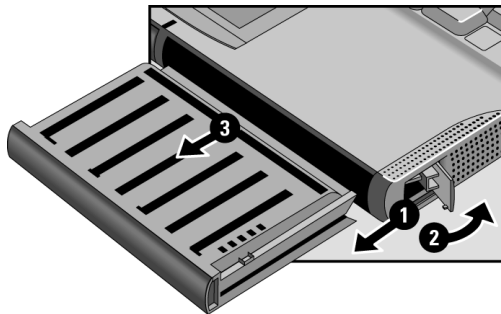
---

### CAUTION

Use only the HP adapter model F1454A with this product. Using any other ac adapter could damage the OmniBook and may void your warranty. Refer to the warranty statement for your product.

---

1. Remove the “weight-saving” module.  
Slide the release latch forward, then push it back as far as it will go.



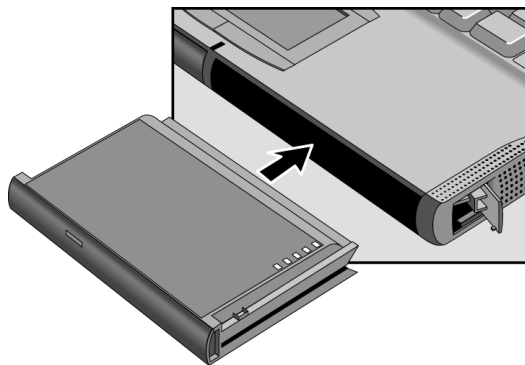
---

### Hint

You can use the weight-saving module in place of your CD-ROM or floppy disk drive to lighten the OmniBook.

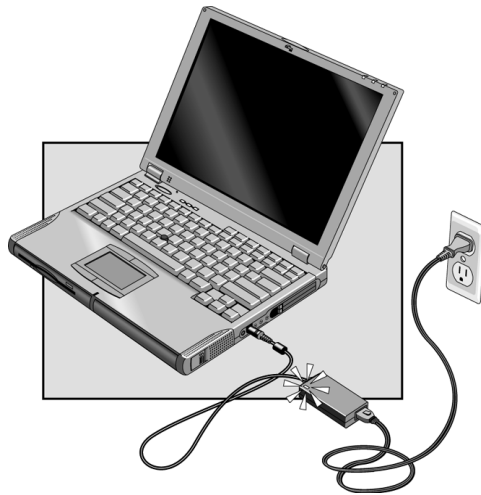
---

2. Insert the OmniBook's main battery.



Introducing the OmniBook  
**Setting Up Windows**

3. Plug in the ac adapter, then connect the ac adapter to the OmniBook's right side, as shown. The OmniBook battery starts charging.



4. Press the blue power button. The Windows Setup program starts automatically.
5. Follow the instructions as they appear on the screen.

During setup, you will be prompted to accept the License Agreement and enter the Product ID (printed on the Certificate of Authenticity on the Microsoft Windows manual). If you are prompted to set up a user account and password. You can either set up the account, or press ESC to skip this step.

---

## Configuring the OmniBook with the BIOS Setup Utility

The BIOS (Basic Input and Output System) Setup utility is a menu-driven utility that enables you to make changes to the system configuration and tailor the operation of your OmniBook to your individual work needs.

The settings made in the BIOS Setup utility generally control the hardware and consequently have a fundamental effect on how the OmniBook operates.

This section describes the BIOS Setup utility menus and options in detail.

---

### To run the BIOS Setup utility

1. Close all applications, then shut down Windows and restart the OmniBook.
2. When you see the HP logo, press F2 to enter the BIOS Setup utility.
3. The pointing devices are not active in the BIOS Setup utility. Press the RIGHT and LEFT arrow keys to move among menus. Press the DOWN and UP arrow keys to move among parameters in a menu. Press F5 or F6 to move through values for the current parameter or press ENTER to change a setting. See the tables below for more information.
4. After you select the options you want, press F10 or use the Exit menu to exit the BIOS Setup utility.

If the settings cause a conflict between devices during reboot, the system prompts you to run BIOS Setup, and the conflicting settings are marked.

**Configuring the OmniBook with the BIOS Setup Utility**

<b>Main Menu</b>		<b>Default</b>
Language	Sets the language for this utility and for BIOS messages.	English
BIOS Revision	Shows the current BIOS version.	Detected automatically.
System Time	Sets the time using 24-hour format. Values set take effect immediately.	
System Date	Sets the date using dd/mm/yy format (except English, which is mm/dd/yy format).	
Floppy Drive	Sets the floppy drive type.	Floppy disk drive type detected and set automatically.
Internal Hard Disk	Sets the hard disk drive type and various parameters.	Hard disk drive detected and set automatically.
Quiet Boot	When enabled, hides summary of power-on self-test and messages during boot.	Enabled
Video Display Device	Sets whether the built-in display automatically switches to an external display if one is detected.	Auto
Video Expansion	When enabled, the video image covers the entire display in lower resolution modes (SVGA, VGA). When disabled, the video image is centered in the display.	Disabled
Primary Video Adapter	Sets whether the internal (built-in) video adapter automatically switches to an external video adapter connected to the docking system, if one is detected.	Auto
System Memory	Shows the system memory size.	640KB
Extended Memory	Shows the extended memory size.	Detected automatically.

Introducing the OmniBook  
**Configuring the OmniBook with the BIOS Setup Utility**

**System Devices Menu**

**Default**

PS/2 Pointing Devices	Disables the internal pointing devices when an external PS/2 mouse is connected. This is required for the scroll wheel on a PS/2 mouse to function.	Auto
Internal Pointing Devices	Enables one or both built-in PS/2 devices.	Both
External Fn Key	Sets whether left-CTRL + left-ALT on an external keyboard is interpreted as the Fn key.	Enabled
IDE Controller	Enables the primary (hard drive) and secondary (optional CD-ROM drive) controllers.	Both
FDD Controller	Enables the floppy drive.	Enabled
Serial Port	Sets how the serial port is configured by the BIOS (specified or automatic).	Enabled
Base I/O address	Sets the I/O address and interrupt.	3F8h, IRQ4
Infrared Port	Sets how the infrared port is configured by the BIOS (specified or automatic).	Disabled
Mode	Sets the hardware to support SIR (Standard IR), ASK IR (amplitude shift keyed IR), or FIR (Fast IR) infrared communications. (Driver installation required.)	SIR
Base I/O address	Sets the I/O address and interrupt.	2F8h, IRQ3
DMA channel	For Fast Ir mode, sets the DMA channel.	DMA3
Parallel Port	Sets how the parallel port is configured by the BIOS (specified or automatic).	Enabled
Mode	Sets the port to normal, bidirectional, EPP, or ECP.	ECP
Base I/O address	Sets the I/O address.	378h
Interrupt	Sets the interrupt.	IRQ7
DMA channel	For ECP mode, sets the DMA channel.	DMA3
Audio	Sets how the audio system is configured by the BIOS (specified or automatic).	Enabled
SB I/O address	Sets the Sound Blaster I/O address.	220h
WSS I/O address	Sets the Windows Sound System I/O address.	530h

Introducing the OmniBook

**Configuring the OmniBook with the BIOS Setup Utility**

AdLib I/O address	Sets the AdLib synthesizer I/O address.	388h
Interrupt	Sets the interrupt.	IRQ5
1st DMA channel	Sets the DMA channel for playback.	DMA1
2nd DMA channel	Sets the DMA channel for recording.	DMA0

**Security Menu**

**Default**

User Password Is	Shows if a user password is set.	Clear
Administrator Password Is	Shows if an administrator password is set.	Clear
Set User Password	Press ENTER to set, change, or clear user password. Password length can be no longer than 8 characters, 0-9, A-Z.	
Set Administrator Password	Press ENTER to set, change, or clear administrator password. This password protects BIOS Setup settings.	
Boot	Sets whether a user password is required when the computer boots.	Enabled
Resume*	Sets whether a user password is required when resuming from a suspended state.	Enabled
Undock*	Sets whether a user password is required when undocking the OmniBook.	Disabled
Internal Hard Disk Drive Lock*	Encodes the current user password (or administrator password if that is the only password set) on the hard disk drive.	Disabled
Floppy Boot	Sets whether the floppy drive is a boot device.	Enabled
* Resume, Undock, and Internal Hard Disk Drive Lock options are available only if Boot option is enabled.		

Introducing the OmniBook  
**Configuring the OmniBook with the BIOS Setup Utility**

**Power Menu\***

**Default**

Power Management Mode	Disables time-outs, selects a combination of time-outs, or allows customized time-outs.	Max Power Savings
Smart CPU Mode	Enables automatic CPU power savings. Absence of keyboard, mouse, and hard disk activity could cause slower CPU response.	Disabled
Standby Time-out	Sets the period of inactivity after which the computer goes from On to Standby power mode.	2 minutes
Suspend Time-out	Sets the period of inactivity after which the computer goes from Standby to Suspend power mode. (Skips Standby mode if that time-out is disabled.)	4 minutes
Hibernate Time-out	Sets whether the computer goes from Suspend to Hibernate power mode after the indicated period of inactivity. (Skips Suspend mode if that time-out is disabled.)	4 hours
Hard Disk Time-out	Sets the period of hard disk inactivity after which the hard disk stops spinning. Also affects a hard disk drive in the plug-in module bay.	2 minutes
Time-out on AC	Sets whether power management time-outs occur while the ac adapter is connected.	Disabled
Power Button Mode	Sets the action of the blue power button when pressed for less than 4 seconds.	Suspend
Lid Switch Mode	Sets the action when the OmniBook lid closes.	Turn off LCD
Resume on Serial Ring	Sets whether the system resumes from Suspend if a ring signal is received.	Enabled
Resume on Time of Day	Sets whether the system resumes from Suspend at a defined time of day.	Disabled
Resume Time	Sets the 24-hour time when the system resumes from Suspend if enabled.	
Auto Suspend on Undock	Sets whether the OmniBook suspends after undocking.	When Lid Closed
Auto Turn-on on Dock	Sets whether the OmniBook turns on after docking.	Enabled
* If you are using Windows 98 and have installed ACPI power management, the ACPI settings override settings in the Power menu.		

**Configuring the OmniBook with the BIOS Setup Utility**

<b>Boot Menu</b>		<b>Default</b>
Diskette Drive Hard Drive CD-ROM/DVD Drive	Shows the order of boot devices. Move the entries to change the order.	1. Diskette drive 2. Hard drive 3. CD-ROM/DVD drive

**Exit Menu**

Save Changes and Exit	Saves Setup changes, exits, and reboots.	
Discard Changes and Exit	Discards Setup changes since last save, exits, and reboots. Does not affect Security, date, or time changes.	
Get Default Values	Restores default settings, stays in Setup. Does not affect Security, date, or time changes.	
Load Previous Values	Discards Setup changes since last save, stays in Setup. Does not affect Security, date, or time changes.	
Save Changes	Saves Setup changes, and stays in Setup. Security settings are saved when changed.	



---

## Configuring the OmniBook with TopTools

HP TopTools is for network managers and administrators with responsibilities for computer system management. It offers configuration and security options that allow you to check what hardware and software components are installed on your computer and how well they are working. This section describes how to

- ◆ Install and run TopTools.
- ◆ Get more information about TopTools.

---

### To install TopTools

The TopTools package is included with the OmniBook, but you must install it before you can use it. *On Windows NT systems, you will need administrator privileges to install TopTools software.*

1. Start Windows, if it is not already running.
2. Click Start, Programs, HP DMI, Setup.

---

### To run TopTools

TopTools may be run locally on a PC or remotely by a network administrator.

- To run TopTools locally, click Start, Programs, HP DMI, HP TopTools.

---

### To get more information about TopTools

For information on manageable HP PCs, HP TopTools, DMI, and how they lower PC operating costs, see the HP website at <http://www.hp.com/toptools>.



---

**Operating the OmniBook**

---

---

# Operating the OmniBook

This chapter introduces the OmniBook and helps you get familiar with basic operation, including

- ◆ Starting and stopping the OmniBook.
- ◆ Using the OmniBook pointing devices.
- ◆ Managing pointing devices.
- ◆ Using the OmniBook display.
- ◆ Adjusting the audio system.
- ◆ Using the OmniBook keyboard.
- ◆ Checking the status of the OmniBook.
- ◆ Protecting the OmniBook.

## Starting and Stopping the OmniBook

You can easily start and stop your OmniBook using the blue power button. However, at certain times, you may want to use other methods for starting and stopping your OmniBook—depending on power considerations, types of active connections, and start-up time.

### To start and stop the OmniBook

When you	The OmniBook enters	To turn on again
Press Fn+S* —or— allow time-out.	<b>Standby Mode</b> Saves minimal power. Turns off the display only. Restarts quickly. Maintains network connections.	Press any key or move a pointing device to display your current session (“Instant-On”).
Press blue power button —or— click Start, Suspend** —or— allow time-out.	<b>Suspend Mode</b> Saves significant power. Turns off the display. Saves current session to RAM. Restarts quickly. May restore network connections.***	Press the blue power button to display your current session (“Instant-On”).
Press Fn+F12 —or— allow time-out.	<b>Hibernate Mode</b> Saves maximum power. Saves current session to disk, shuts down. May restore network connections.***	Press the blue power button to restart and restore your previous session.
Click Start, Shut Down (recommended) —or— Press and hold the blue power button until the display shuts down.	<b>Off Mode</b> Saves maximum power. Turns off without saving current session. At startup, resets everything, starts a new session, and restores network connections.	Press the blue power button to restart with a new session.
<p>* Windows NT and Windows 95 only. In Windows 98, Fn+S suspends the OmniBook.  ** Windows 95 only. In Windows 98, click Start, Shutdown, Standby to <i>suspend</i> the OmniBook.  *** A plug-and-play operating system, such as Windows 95 or Windows 98, can restore network connections when you turn on the OmniBook. For Windows NT 4.0 or a different operating system, you may have to reset the OmniBook or restart the operating system to restore them.</p>		

---

## To reset the OmniBook

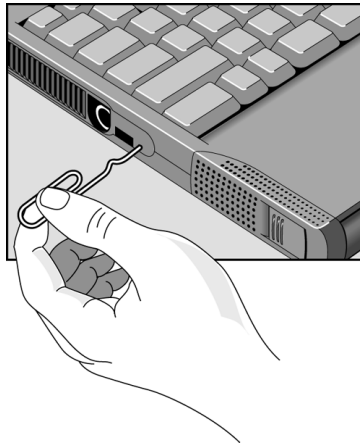
If Windows or the OmniBook stops responding, you can reset the OmniBook and restart Windows.

1. If possible, shut down Windows.
2. Insert a pen or straightened paper clip into the recess on the left side of the OmniBook, as shown.

–or, if this fails–

Press and hold the blue power button until the display shuts down.

3. After the computer shuts down, press the blue power button to turn it on.



---

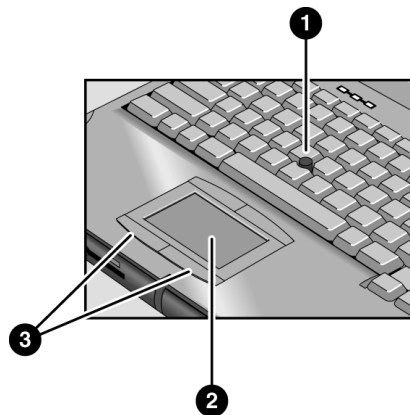
## Using the OmniBook Pointing Devices

Two pointing devices (pointing stick and touch pad) are built into your OmniBook. The default pointing device driver (PS/2 TrackPoint), supports the enhanced features of the pointing stick and *basic* features the touch pad.

You can customize the OmniBook to support enhanced touch pad features. If you do this, keep in mind that you are selecting enhanced features for the touch pad only. *You cannot activate enhanced features for both simultaneously.*

This section describes how to

- Use the built-in pointing devices.
- Activate full touch pad capabilities.
- Activate full pointing stick capabilities.
- Configure pointing devices.



1. Pointing stick (pressure-sensitive pointing device).
2. Touch pad (touch-sensitive pointing device).
3. Click buttons (two above and two below the touch pad).

Both pointing devices use these click buttons, which work like the right and left buttons on a standard mouse. What the buttons do depends on the software being used.

---

## To use the built-in pointing devices

1. Place your hands in the typing position.
2. **Pointing stick.** With your index finger, press the pointing stick in the direction you want the pointer to move. Pressing away from you moves the pointer up the screen; pressing toward you moves the pointer down the screen.  
**Touch pad.** Move a thumb or finger across the touch pad in the direction you want the pointer to move.
3. Use the left and right click buttons, which function like the left and right buttons on a mouse, to make your selection.
  - To open an application, move the pointer over the icon, then press the left button twice rapidly.
  - To make menu selections, move the pointer to the item and press the left button once.
  - To open the shortcut menu for an item, move the pointer over the item and click the right button.
  - To drag an item, move the pointer over the item. Press *and hold* the left button while you move the pointer to the new location. Release the button.



## To activate full touch pad capabilities

The built-in pointing stick driver supports only basic touch pad features. To activate full touch pad capabilities, you have to

- Remove the pointing stick driver and select a new mouse driver.
- Disable the pointing stick.
- Install touch pad support.

### **1. Select a new mouse driver and remove the pointing stick driver**

1. From the Start menu, click Settings, Control Panel.
2. Double-click Add/Remove Programs and remove IBM TrackPoint Support.
3. Double-click Mouse, then click General.
4. Click Change and then select Show All Devices.
5. Under Manufacturers, click Standard Mouse Types.
6. Under Models, change the mouse type to Standard PS/2 Port Mouse, then click OK.
7. Click Yes to any questions.

### **2. Disable the pointing stick**

1. From the Start menu, shut down, then restart the OmniBook.
2. When you see the HP logo, press F2 to enter the BIOS Setup utility.
3. Select the System Devices menu.
4. Highlight Internal Pointing Devices and select Touch Pad.
5. Press F10 to save and exit.

### **3. Install touch pad support**

- Run C:\Omnibook\Drivers\Touchpad\Setup.exe.

---

## To activate full pointing stick capabilities

If you have activated full touch pad capabilities, you can use this procedure to switch back to full pointing stick capabilities. You'll need to do the following:

- Remove the touch pad driver (Windows 95 and Windows 98 only).
- Enable the pointing stick.
- Install pointing stick support.

### **Remove the touch pad driver**

- From Control Panel, click Add/Remove Program and remove touch pad.

### **Enable the pointing stick**

1. From the Start menu, shut down, then restart the OmniBook.
2. When you see the HP logo, press F2 to enter the BIOS Setup utility.
3. Select the System Devices menu.
4. Highlight Internal Pointing Devices and select Pointing Stick. (Choose Both if you want basic touch pad features available.)
5. Press F10 to save and exit.

### **Install pointing stick support**

- From Control Panel, open Mouse, General and change the mouse type—click Have Disk and point to the directory listed below and select PS/2 TrackPoint.  
c:\omnibook\drivers\trackpnt.

---

## To configure pointing devices

- To customize the operation of all pointing devices (pointing stick, touch pad, and external PS/2 or serial mouse), in Control Panel open Mouse. You can change left and right button actions, double-click speed, pointer speed and tail, and more.
- To customize special pointing stick features, click the pointing stick icon on the taskbar or open TrackPoint in Control Panel.

---

## Using the OmniBook Display

This section describes

- ◆ How to adjust the display brightness.
- ◆ How to extend the life of the display.

---

### To adjust the display brightness

The OmniBook uses special key combinations, called hot keys, to control brightness.

- Press Fn+F1 to decrease the brightness.
- Press Fn+F2 to increase the brightness.

---

#### Hint

To maximize your battery operating time, set the brightness to the lowest comfortable setting, so that the internal light uses less power.

---

---

### To extend the life of the display

Observe the following guidelines to maximize the life of the backlight in the OmniBook display.

- Set the brightness to the lowest comfortable setting (Fn+F1). If you are using an external keyboard, Fn = CTRL+ALT.
- When working at your desk, connect an external monitor and turn off the internal display (Fn+F5).
- Avoid using a screen saver or other software that prevents the OmniBook from changing to Suspend or Standby mode after a time-out period.
- Do not disable Suspend or Standby time-outs.
- If you are using ac power and have no external monitor attached, change to suspend or standby when not in use.

---

## To suspend the OmniBook when closing the display

By default, the OmniBook display turns off when you close the display lid. You can change this setting to suspend the OmniBook when you close the display lid.

1. Close all applications, then shut down Windows and restart the OmniBook.
2. When you see the HP logo, press F2 to enter the BIOS Setup utility.
3. From the Power menu, choose Lid Switch Mode.
4. Choose one of the following options:
  - **Turn off LCD.** Closing the lid turns off the display (default). Open the lid to turn on the display again.
  - **Suspend.** Closing the lid suspends the OmniBook. Press the blue power button to turn on the display again.
  - Press F10 to save and exit the BIOS Setup utility.

---

## Adjusting the Audio System

The OmniBook supports Sound Blaster Pro-compatible sound and the Microsoft Windows Sound System. This section describes

- How to adjust the volume manually.
- How to adjust the volume in Windows.

---

### To adjust the volume manually

- To increase the volume, press Fn+UP-ARROW.
- To decrease the volume, press Fn+DOWN-ARROW.
- To temporarily silence the speaker without changing the volume setting, press the mute button on the right side of the OmniBook.

---

### To adjust the volume in Windows

1. Click the speaker symbol in the taskbar.
2. Drag the volume control bar up or down to adjust the volume.
3. To temporarily silence the speaker without changing the volume setting, click Mute.

---

## Using the OmniBook Keyboard

---

### WARNING

Improper use of keyboards and other input devices has been associated with ergonomic injury. For information about reducing your risk, see the “Working in Comfort” document shipped with your OmniBook, or visit our ergonomics website, <http://www.hp.com/ergo>.

This section describes the OmniBook’s keyboard features, including how to

- ◆ Use the Fn hot keys.
- ◆ Use the Windows keys.
- ◆ Use the embedded keypad.
- ◆ Use the ALT GR key on a non-US keyboard.

---

## To use the Fn hot keys



The combination of the Fn key plus another key creates a *hot key*—a shortcut key sequence—for various system controls. The OmniBook keyboard shows the Fn *hot keys* labeled in gray.

Pressing these keys	Does this
Fn + F1	Decreases the display's brightness.
Fn + F2	Increases the display's brightness.
Fn + F3	Decreases the display's contrast (non-TFT displays only).
Fn + F4	Increases the display's contrast (non-TFT displays only).
Fn + F5	Switches among the built-in display, an external display, and simultaneous displays.
Fn + F8	Toggles the built-in keypad on and off. Does not affect an external keyboard. If Num Lock is on, then the numeric functions are active; otherwise, cursor control is active.
Fn + F12	Enters Hibernate mode.
Fn + S	Enters Standby mode in Windows 95 and Windows NT. Enters Suspend mode in Windows 98.
Fn + R	Enters Suspend mode
Fn + ScrLk	Toggles Scroll Lock on and off.
Fn + UP ARROW	Increases the volume.
Fn + DOWN ARROW	Decrease the volume.

---

**Hint**

If you are using an external keyboard, the Fn key = CTRL+ALT.

---

---

## To use the Windows keys

There are two Windows keys on the keyboard.



The one next to the Fn key brings up the Windows Start menu.



The one at the top center of the keyboard brings up the shortcut menu for the current application. This is the same menu that appears when you click the right mouse button while pointing at the application.

---

## To use the embedded keypad

When the embedded keypad on the OmniBook's built-in keyboard is active, two options are possible.

**Num Lock on** Keys change to the numeric or arithmetic designations printed in light gray on the keyboard.

**Num Lock off** Keys change to cursor control keys.

To interpret the keyboard status lights that show the status of Num Lock and the embedded keypad, go to page 2-16.

1. Press NmLk to turn Num Lock on or off.
2. Press Fn+F8 to turn on the embedded keypad.

–or–

To temporarily turn on the embedded keypad, hold Fn while typing a key.

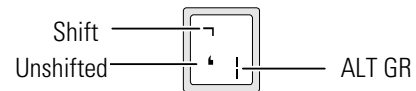


---

## To use the ALT GR key

Non-U.S. keyboards have an ALT GR key to the right of the spacebar. This is a shift key providing access to certain keyboard characters.

- For a character in the lower-right corner of a key, press and hold ALT GR to type the character.



---

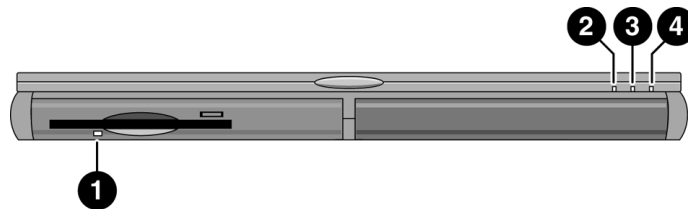
## Checking the Status of the OmniBook

This section describes how to interpret the status lights.

---

### To interpret the status lights

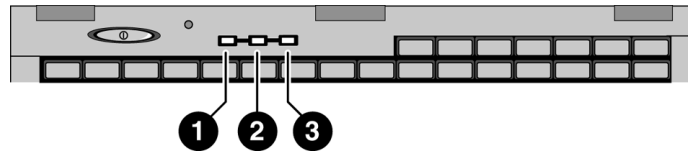
The OmniBook has status lights that report power status and drive activity. When the floppy disk drive is installed in the module bay, the following lights are present on the front of the OmniBook.



1. Floppy disk drive light.
  - Steady green light. Floppy disk is being read from or written to.
2. Power status light.
  - Steady green light. OmniBook is on.
  - Steady amber light. OmniBook is in Standby or Suspend mode.
  - No light. OmniBook is in Off or Hibernate mode.
  - Alternating green and amber light. OmniBook failed when resuming.
3. Hard disk drive activity light.
  - Steady green light. OmniBook is accessing the hard disk drive, floppy disk drive, or a drive in the plug-in module bay. (For the OmniBook 4100, it also indicates PC Card activity.)
4. Charging status light.
  - Steady green light. The ac adapter is connected and battery is full or has stopped charging.
  - Blinking green light. The ac adapter is connected and battery is charging.
  - No light. The ac adapter is not connected or the battery is not installed.

### **Keyboard Status Lights**

The keyboard status lights, located above the keyboard, indicate the states of the keyboard locks.



1. Caps Lock. Caps Lock is active.
2. Keypad Lock. The embedded keypad is active (Fn+F8). Num Lock must also be on for the numeric keys—otherwise, cursor control is active.
3. Num Lock. Num Lock is active.

### **Battery status**

In addition, the battery module has five lights that indicate its charge level. To view the lights, you have to remove the battery and press the pad on the back next to the connector. The number of lights that turn on indicates the charge.

---

## Protecting the OmniBook

Your OmniBook provides several ways for you to identify and protect your computer. This section describes how to

- Set or change a password.
- Delete a password.
- Attach a security cable.
- Install McAfee VirusScan.
- Set unique PC identification.
- Enable drive lock protection.

---

## To set or change a password

The OmniBook provides two levels of password protection—user password protection and administrator password protection. *You cannot set the user password until you set an administrator password.*

If password protection is set, then you will be prompted to enter a password whenever you reset or turn on the computer (depending on your setting). You cannot use the computer until you enter the correct password.

To set, change, or delete password protection for this OmniBook, use the BIOS Setup utility.

1. From the Start menu, shut down, then restart the OmniBook.
2. When you see the HP logo, press F2 to enter the BIOS Setup utility.
3. Select the Security menu.
4. Select Set Administrator Password, then press ENTER.
5. Type the new password, then press ENTER. The password can contain up to eight alphanumeric characters, and it is not case-sensitive.
6. Type the password again to confirm, then press ENTER.
7. Under Password Required To, choose when the password will be required.
  - Select Boot to require password when booting the OmniBook.
  - Select Resume to require password when resuming from Suspend.
  - Select Undock to require password when undocking the OmniBook.
8. If desired, repeat this procedure for Set User Password.
9. Press F10 to Save and Exit the BIOS Setup utility.

---

**Note**

If you forget a password, call Customer Support at the number listed in the *Support and Service* booklet to determine the proper removal procedure.

---

---

## To delete a password

If you delete an administrator password, the OmniBook automatically deletes the user password as well.

1. From the Start menu, shut down, then restart the OmniBook.
2. When you see the HP logo, press F2 to enter the BIOS Setup utility.
3. Select the Security menu.
4. Select Set Administrator Password, then press ENTER.
5. Type the current password, then press ENTER.
6. Press ENTER at the Enter New Password prompt.
7. Press ENTER at the Confirm New Password prompt.
8. Press Continue.
9. Press F10 to Save and Exit the BIOS Setup utility.

---

## To install the McAfee VirusScan utility

The OmniBook comes equipped with McAfee VirusScan. Before you can use VirusScan, you need to install it.

1. From the Start menu, click Programs, McAfee VirusScan, Setup.
2. Follow the instructions as they appear on the screen.

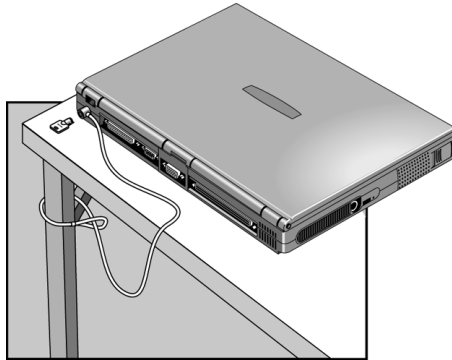
Once installed, you can get detailed online instructions under McAfee VirusScan Help. (Click Start, McAfee VirusScan, Help.)

---

## To attach a security cable

Your OmniBook has a built-in connector that allows you to secure the OmniBook with a cable. The Kensington MicroSaver lock system works with this connector and is available at many computer stores.

1. Wrap the cable around a stationary object, such as a table leg.



2. Loop the cable to create a slip knot around the stationary object—make sure it can't slip off
3. Insert the lock into one of the OmniBook security connectors and release the key. Store the key in a safe place away from the OmniBook.

---

## To set PC identification

You must have administrator password authority to set a PC identification number.

1. If you have not already installed HP TopTools, do so now (page 1-17).
2. Click Start, then click HP TopTools.
3. Click Tools, then click Protect Tools.
4. Type your administrator password, then press Enter.
5. Click Security.
6. In the “Tattooing String” box, type the unique set of characters which will identify your PC.

You can type up to 80 characters including spaces and special characters. Do not press ENTER when typing. The string wraps automatically.

---

## To enable hard disk drive lock

Hard disk drive lock helps you keep your information secure. *Hard disk drive lock does not protect a second hard disk drive installed in the module bay.*

---

### CAUTION

When you enable hard disk drive lock, the current user password (or administrator password if that is the only password set) is encoded on the hard disk drive.

*If you move the hard disk drive to another OmniBook, you can't access the drive until you set the user (or administrator) password to match the drive's password. After you match the drive's password, you can change the OmniBook (and drive) password. If you forget the password, you cannot recover your data.*

1. From the Start menu, shut down, then restart the OmniBook.
2. When you see the HP logo, press F2 to enter the BIOS Setup utility.
3. From the Security menu, enable Password Required To Boot.
4. From the Security menu, enable Hard Disk Drive Lock.
5. Press F10 to save and exit the BIOS Setup utility.



---

**Managing Battery Power**

---

---

## Managing Battery Power

The OmniBook conserves power by using Advanced Power Management (APM) software that controls battery charging and power drain.

If you're using **Windows 95** or **Windows 98**, APM is preinstalled on the OmniBook.

If you're using **Windows NT 4.0**, you'll need to install APM. See page 3-8 for instructions.

The OmniBook provides several safeguards so you won't be surprised by a dead-battery condition, including the following:

- ◆ The battery status indicator shows the remaining battery charge.
- ◆ Built-in warnings are displayed for low-battery conditions.
- ◆ The OmniBook automatically turns off when the battery charge gets too low—your session continues when you start recharging the battery or insert a fresh battery.

Data on any of the drives is not affected by a low battery—unless the battery runs down completely while writing data to the drive, or if the battery in a PC RAM card is also low.

---

## Monitoring Battery Power

The primary source of power for the OmniBook is its rechargeable battery pack. You can use the ac adapter to recharge the battery—or to run on ac power to preserve the battery. You can also install a second battery in the plug-in module bay for increased battery time.

---

**Important**

---

Running external connections is a power-intensive operation that significantly shortens the length of a battery session. Whenever possible, connect the ac adapter when using external connections.

In addition to the replaceable battery, there is a permanent, internal backup battery, which recharges whenever the OmniBook is on or connected to ac. It maintains certain internal settings, such as the clock.

This section describes how to

- ◆ Check the battery status.
- ◆ Respond to a low-battery warning.
- ◆ Recharge a battery (primary or secondary).
- ◆ Replace the primary battery.
- ◆ Install a second battery.

---

## To check the battery status

### **From the Windows Taskbar**

- Move the pointer onto the power icon at the right end of the taskbar. If you are using Windows NT 4.0, you'll need to install Advanced Power Management to display the power icon (see page 3-8). The approximate battery charge is displayed as a percentage or in hours.
- Double-click the power icon on the taskbar to open the Battery Meter window.

### **From Windows**

- Click My Computer, Control Panel, Power. This provides access to all options associated with reporting of power information by Windows.

### **On the Battery**

- While the battery is out of the computer, press the button on the rear of the battery. The lights show the approximate charge level—each light representing 20% of a full charge.

---

## To respond to a low-battery warning

When battery power is critically low, you are alerted by one or more of the following:

- The computer emits a warning beep. This reminds you to save your work.
- If the OmniBook has been off, you will not be able to turn it on.

The OmniBook automatically hibernates to preserve your current session. (If Hibernate is disabled in the BIOS Setup utility, then your data is not protected.) However, unsaved data could be affected if the battery runs down completely while writing data to the drive. You won't be able to restart until you restore power by one of the following actions:

- Plug in the ac adapter.
- Replace the main battery with one that is charged.
- Install a charged second battery in the plug-in module bay.

---

## To recharge a battery

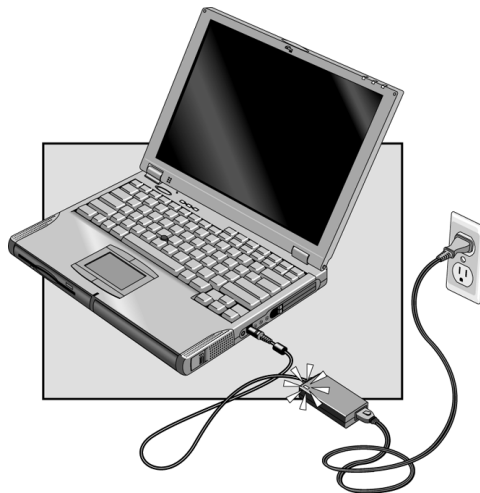
---

### CAUTION

---

The ac adapter is normally warm to the touch whenever it's plugged into an ac outlet. The OmniBook is normally warm while it's charging. Don't charge it in a briefcase or other confined space as this may cause the battery to overheat.

1. Connect the power cord to the ac adapter, then plug the cord into an ac outlet. The indicator light on the ac adapter shines when the adapter is on. If the ac adapter does not light, make sure that cord is not damaged.
2. Connect the ac adapter to the OmniBook's right side, as shown.



### **Charging time**

Charging the battery takes about 1.5 hours to fully charge.

### **Battery life**

When the computer is in use, typical battery life can last up to 3 hours, depending on your level of use and your power management settings (see page 1-15).

Managing Battery Power  
**Monitoring Battery Power**

**Optimum Charging**

To get the longest battery operating time, continue charging until the OmniBook battery is fully charged. The battery charging light stops blinking only when the battery is actually full. You can continue working while the battery is charging.

---

**To replace the main battery**

---

**W A R N I N G**

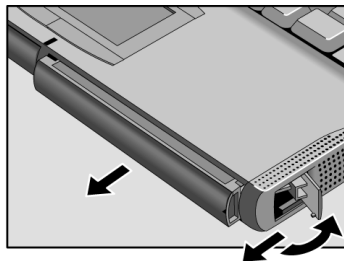
Do not mutilate, puncture, or dispose of batteries in fire. A battery can burst or explode, releasing hazardous chemicals. A rechargeable battery must be recycled or disposed of properly. For more information about battery safety, see page 8-9.

---

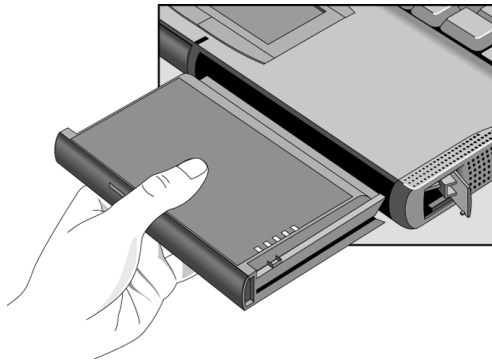
**C A U T I O N**

If you have any unsaved data, it (and your current work session) will be lost when you remove the battery unless the computer is connected to ac power or a second battery is installed.

1. **Important.** Save your work.
2. Plug in the ac adapter.  
-or-  
From the Start menu, shut down the OmniBook.
3. Slide the battery bay release latch forward as far as it will go.
4. Gently pull the release latch back until the battery pops out.



5. Grasp the underside of the battery firmly and pull out.



6. With the latch in the open position, slide the charged battery into the OmniBook until it is flush with the unit.
7. Close the battery bay release latch.

---

**Hint**

---

The battery module fits into either the module bay or the battery bay.

---

## To install a second battery

The OmniBook's plug-in module bay accepts a second battery. See page 4-4 for information about installing plug-in modules. When a second battery is installed, a lower triangle appears next to the battery icon in the status panel.

## Conserving Battery Power

The OmniBook uses Advanced Power Management (APM) to conserve battery power. You can take steps to optimize your battery operating time. If you're using Windows 95 or Windows 98, APM is preinstalled on the OmniBook. If you're using Windows NT 4.0, you'll need to install APM.

This section describes how to

- ◆ Install APM for Windows NT.
- ◆ Save battery power.
- ◆ Set time-outs.
- ◆ Get the most from your battery.

---

### To install APM for Windows NT 4.0

Advanced Power Management (APM) for Windows NT 4.0 is located on the OmniBook's hard disk drive. You set up APM from the Windows Start menu. (The APM driver is also located on the *Recovery CD* in \Omnibook\Drivers\Apm. )

Phoenix APM adds the following capabilities to the OmniBook:

- Improved battery life under Windows NT 4.0.
- PC Card power management.
- Convenient user control and monitoring of power settings and status.

1. To install APM, click Start, Programs, OmniBook, Phoenix Advanced Power Management, Setup.
2. Follow the setup instructions on the screen.

You can download the Phoenix APM documentation from the following website:  
<http://www.phoenix.com/notebook/addinfo.html>.



---

## To save battery power

Follow these suggestions to conserve battery power.

- Plug in the ac adapter, especially while using the floppy disk drive, the CD-ROM drive, or any external connections.
- Put the OmniBook in Suspend mode whenever you are not using it for a short while: press the blue power button for approximately 1 second or select Start menu, Suspend.
- Put the OmniBook in Hibernate mode whenever you want to save your current session, but will not be using the computer for several hours or more (Fn+F12).
- Shut down the OmniBook whenever you will not be using it for several hours or more. Click Start, Shut Down. The current session is *not* saved.
- Turn the brightness of the display down to the lowest comfortable level. This reduces the backlight power and extends the life of your OmniBook display.
- Set the automatic time-out settings to emphasize saving power (page 3-10).
- If you work with an application that uses the serial port or a PC Card, exit the application when you are done using it.
- If you have an I/O PC Card—that is, a PC Card having an external connection, such as a modem or network card—remove it when you are not using it. Some I/O cards use significant power, even while they're inactive.

## To set time-outs

The BIOS Setup utility includes settings for automatic time-outs at specified periods of inactivity. There are four different time-outs for different levels of power and conservation.

1. From the Start menu, shut down then restart the OmniBook.
2. When you see the HP logo, press F2 to enter the BIOS Setup utility. Active keys are described along the bottom of the screen. (The pointing devices are not active in the BIOS Setup utility.) Help information for the highlighted item appears in the right-hand sidebar in the display.
3. Select the Power menu.
4. Select Power Management Mode. (Press the spacebar, F5, or F6 to pick an option *other than* Disabled.)

**Maximum Power Savings:** The time-out settings are defined for best power savings (relatively short time-outs).

**Maximum Performance:** The time-out settings are set for fast performance with some power conservation (relatively long time-outs).

**Customized:** You determine each setting for Smart CPU Mode, Standby Time-out, Suspend Time-out, Hibernate Time-out, and Hard Disk Time-out. For definitions of these power modes, see page 2-3.

5. Optional. Choose a setting for Time-Out On AC. If you want the time-outs to occur even when the OmniBook is connected to ac power, choose Enabled. To prevent time-outs while the OmniBook is plugged in, choose Disabled (default setting).
6. Press F10 to save and exit the BIOS Setup utility.

---

## To get the most from your battery

The following are some further suggestions for the best management of your OmniBook batteries.

- Do not leave batteries unused for long periods of time. If you have more than one, rotate them.
- If you normally use ac power, make a practice of at least once a week using the battery as your power source.
- Unplug the ac adapter when the computer is not in use.
- To preserve the life of your battery, be sure to charge the battery regularly.
- For long-term storage, the battery must be charged at 20-50% to save capacity loss by self-discharge and to avoid deterioration of battery performance. Storage in a 100% charged condition can cause higher self-discharge and deterioration of discharge capacity—even after recharging—compared to storage in a 20-50% charged condition.





## Making Connections

---

## Making Connections

This chapter describes procedures to expand the capabilities of your OmniBook, including

- ◆ Using OmniBook plug-in modules.
- ◆ Connecting external devices.
- ◆ Using PC Cards.
- ◆ Using docking products.

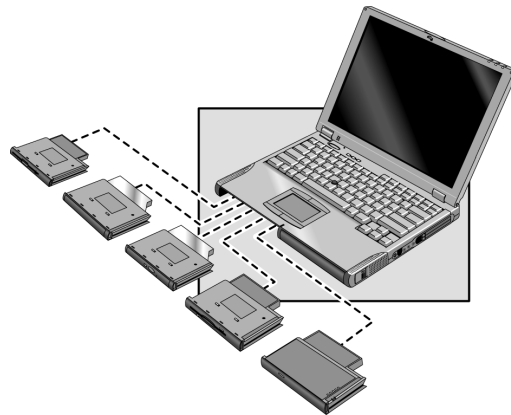
---

## Using OmniBook Plug-In Modules

The plug-in module bay can hold a CD-ROM drive, floppy disk drive, an LS-120 drive, a DVD drive, a second battery, or a weight-saving module. This documentation describes the modules that shipped with the OmniBook—the CD-ROM drive and the floppy disk drive. The floppy drive module can also be connected externally via the parallel port. If you want to do this, you'll need to order the external floppy cable (HP F1473A).

If you've purchased other accessory modules, refer to the accessory documentation that accompanied them for instructions. This section describes how to

- ◆ Install hot-swap support.
- ◆ Replace a plug-in module.
- ◆ Insert or eject a floppy disk.
- ◆ Insert or remove a CD.



---

### To install hot-swap support

The Agaté Tioman "hot-swap" software for Windows 95 and Windows 98 is loaded on the hard disk, but it is not installed. If you install this software, you can switch most modules in the plug-in bay without shutting down the computer and rebooting. (This software does not support Windows NT.)

- Click Start, Programs, Agaté Tioman for HP, Setup, then follow the onscreen instructions.

---

## To replace a plug-in module

---

### Note

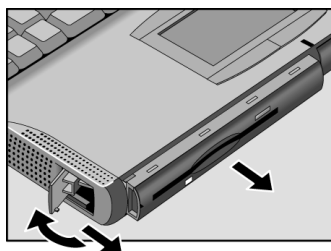
- For Windows 95/Windows 98, if Agaté Tioman hot-swap software is installed, a plug-in module icon appears at the right end of the taskbar. This software lets you swap most plug-in modules without shutting down the computer.
- If you are removing or inserting a hard disk drive in the module bay, you must shut down the computer.
- If you are removing a battery and inserting another battery, you do not have to do steps 1 and 2 below—you can just change the batteries.

---

### CAUTION

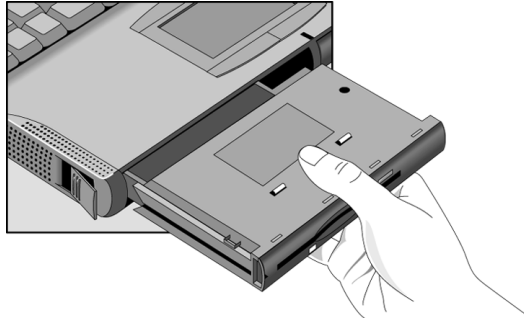
If you are inserting or removing a CD-ROM drive, DVD drive, or any other type of drive, you must use the hot-swap software or shut down the computer—otherwise, you could lose data.

1. Close all files that are open from the plug-in module.
2. If the plug-in module icon is present in the taskbar, right-click the icon, then click Remove Device. When prompted to remove the module, click OK. (You do not have to do this if the bay is empty or contains a battery.)  
–or–  
Click Start, Shut Down to shut down the computer. (You must do this if you are removing or inserting a hard disk drive in the module bay.)
3. Slide the module release latch forward as far as it will go.
4. Gently move the release latch back until the module pops out.





5. Grasp the underside of the module firmly, and pull out.



6. With the latch in the open position, slide the new plug-in module into the OmniBook until flush with the unit.
7. Close the module release latch.

---

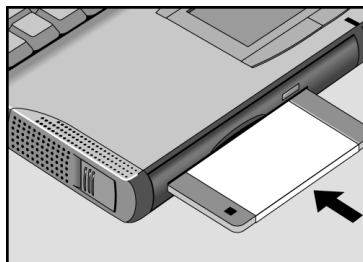
## To insert or eject a floppy disk

---

### CAUTION

Do not insert or remove a floppy disk while the OmniBook is actively reading or writing data. Otherwise, you could lose data or the OmniBook could stop responding.

1. Hold the disk with its face up, then slide it into the floppy disk drive slot until it clicks into place.



2. To remove the floppy disk, press the eject button on the front of the drive.

---

## To insert or remove a CD

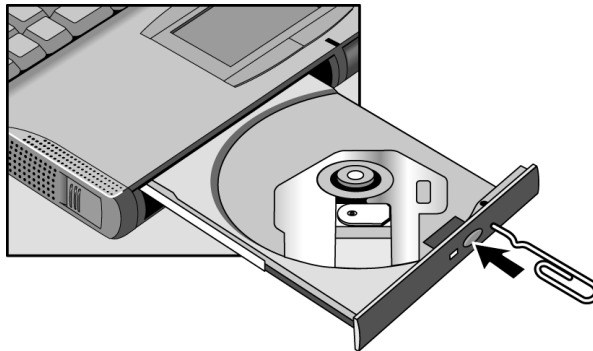
---

### CAUTION

---

Do not insert or remove a CD while the OmniBook is actively reading data. Otherwise, the OmniBook could stop responding and you could lose data.

1. Press the button on the face of the CD-ROM drive. If you are using this drive for the first time, be sure to remove the cardboard packing insert.
2. Place the CD into the drive (label facing up) and gently press down to seat the CD on the spindle  
-or-  
remove the CD.
3. Slide the CD-ROM tray back into the module to close it.



If you lose power to the OmniBook, or if you have removed the CD-ROM module from the OmniBook, you can manually open the CD-ROM drive to remove a CD.

- Insert a straightened paper clip into the recessed hole on the front of the CD-ROM drive, as shown above.

---

### Note

---

Your OmniBook has been configured at the factory to disable CD Auto Insert notification. This allows your system to suspend on time-out. However, you may notice that Windows 95 or Windows 98 may not automatically detect the insertion of a CD.

---

## To change the boot order of a device

1. From the Start menu, shut down, then restart the OmniBook.
2. When you see the HP logo, press F2 to enter the BIOS Setup utility.
3. Open the Boot menu. The default boot order is
  - Diskette drive
  - Hard drive
  - CD-ROM / DVD drive
4. Use the arrow keys to select drive you want to boot from.
5. Press F6 to move up (or F5 to move down) in the list.
6. Press F10 to Save and Exit the BIOS Setup utility.

---

## Connecting External Devices

You can expand the OmniBook's capabilities by connecting other devices.

---

**Note**

Before you connect any device, check the documentation that came with the equipment to see if you need to make any settings or adjustments to the equipment before using it. This might include setting switches to configure the equipment so that it will operate properly with the OmniBook and the software you plan to use.

---

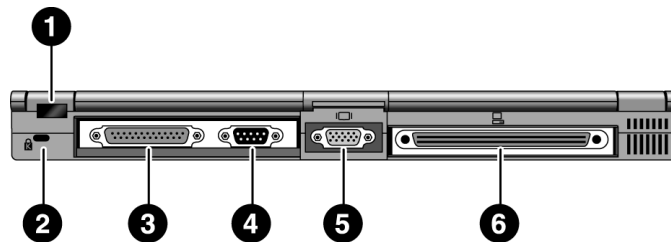
This section describes how to

- ◆ Identify connectors for external devices.
- ◆ Connect an external monitor.
- ◆ Enable the built-in and external displays.
- ◆ Change display settings.
- ◆ Connect a parallel or serial device.
- ◆ Connect an external PS/2 keyboard or PS/2 mouse.
- ◆ Connect a universal serial bus (USB) devices.
- ◆ Connect audio devices.
- ◆ Make an infrared connection.

---

## To identify connectors for external devices

The following graphic describes the available connectors for external devices. Refer to it, if necessary, when following the procedures in this section.



1. Infrared port. Windows NT 4.0 does not support infrared communication.  
Use this port for wireless data transmission between the OmniBook and another computer or a printer with an infrared port. You must install infrared drivers.
2. Kensington lock slot (security connector).
3. Parallel port (LPT1).  
Use this port for a parallel printer, other parallel device, or to connect the floppy disk drive externally.
4. Serial port (COM1).  
Use this port for a serial mouse, a modem, a serial printer, or other serial device.
5. External VGA port.
6. Docking port.

---

## To connect an external monitor

You can connect a VGA, SVGA, XGA, or an SXGA monitor to your OmniBook. The OmniBook's internal display supports standard XGA mode (1024 by 768 pixels).

1. Press the blue power button for one second to suspend the OmniBook.
2. Connect the monitor cable to the monitor, then to the VGA port on the back of the OmniBook.
3. Connect the monitor to a power source and turn it on.
4. Press the blue power button to turn on the OmniBook.
5. If the external monitor has a different resolution from the internal display, adjust the display properties (My Computer, Control Panel, Display, Settings).

---

## To enable the built-in and external displays

- For a temporary change, press Fn+F5 to cycle through the display options (Internal, External, Both).

–or–

For a permanent change, change the settings in the BIOS Setup utility (see the following topic).

---

## To change display settings in the BIOS Setup utility

1. From the Start menu, shut down, then restart the OmniBook.
2. When you see the HP logo, press F2 to enter the BIOS Setup utility.
3. From the Main menu, use the down arrow to highlight Video Display Device.
4. Press ENTER to view choices.
5. Select Auto (automatically detects external monitor) or Both.
6. Press F10 to save settings and exit Setup.

---

## To connect a parallel device

The parallel port uses a standard 25-pin connector, most commonly used for connecting a printers. These include dot-matrix, ink-jet, and laser printers. The parallel port supports both EPP and ECP capabilities (if selected in BIOS Setup).

The OmniBook has one parallel port. Its address and properties can be set in the BIOS Setup utility.

- Connect the parallel printer cable or other parallel cable to the parallel port.

---

## To connect a serial device

The OmniBook's serial port uses a standard 9-pin serial port. Serial connections typically are to external modems and fax modems. The OmniBook has one serial port. Its address can be set in the BIOS Setup utility.

- Connect the serial cable to the serial port.

---

## To connect a serial mouse

1. Connect the serial cable to the serial port.
2. From the Start menu, click Settings, Control Panel.
3. Double-click Mouse, then click General.
4. Click Change and then select Show All Devices.
5. Under Manufacturers, click Standard Mouse Types.
6. Under Models, change the mouse type to Standard Serial Mouse, then click OK.

---

## To connect an external keyboard or PS/2 mouse

The 6-pin PS/2 port allows you to attach an external keyboard or a PS/2-compatible mouse to the OmniBook. While an external PS/2 mouse is connected, the pointing devices are normally disabled.

- Plug the mouse or keyboard PS/2 cable into the PS/2 port on the OmniBook.
  - To connect both a mouse and keyboard, use the HP F1469A Y adapter.
  - To connect a device that has a PC-type jack, first connect its cable to an adapter cable with a PS/2 jack.

---

**Hint**

To use hot keys from an external keyboard, substitute CTRL+ALT for the OmniBook Fn key. For example, to access Fn+F2, press CTRL+ALT+F2. If this does not work, check that the setting for External Fn Key is enabled in the System Devices menu of the BIOS Setup utility.

The built-in pointing device must be disabled for special mouse features to work. In the BIOS Setup utility, check that the PS/2 Pointing Devices option is set to Auto in the System Devices menu.

---

---

## To connect USB devices

---

**Note**

Windows NT 4.0 does not support universal serial bus (USB) devices.

Universal serial bus (USB) provides a bi-directional serial interface for adding peripheral devices such as game controllers, serial and parallel ports, and scanners on a single bus. The OmniBook provides one USB port; the OmniBook docking products provide two USB ports.

- Attach the USB cable to the USB port. Windows 95 and Windows 98 automatically recognize the USB device. Some USB devices can be connected to the OmniBook in series with other USB devices—this is called a “daisy-chain” connection.



---

**Note**

If you have problems making this connection, contact the vendor of the peripheral device, as well as the HP website, for the latest versions of the USB drivers. The USB technology is dynamic and continues to develop.

If the device is not recognized, you may need to install a driver. Contact your device vendor.

---

---

## To connect audio devices

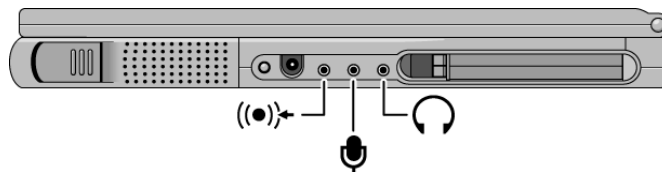
There is a built-in microphone located just below the OmniBook display. You can use it to record voice, sound, and music. You can also plug in a stereo input source, (such as a CD player), an external microphone, external speakers or headphones.

---

**CAUTION**

The audio jacks are three-terminal stereo jacks. They are not compatible with two-terminal mono plugs. Connecting a mono plug into the speaker-out jack may damage the OmniBook.

- Attach the audio cable to the corresponding audio port.



---

**Note**

- When you plug a device into the microphone-in port, the built-in microphone automatically turns off.
  - When you plug a device into the speaker-out port, the built-in speakers automatically turn off.
  - Do not leave your headphones plugged in when rebooting the OmniBook as the PC speaker can be loud.
-

---

## To make an infrared connection

---

**Note**

Windows NT 4.0 does not support infrared communication.

By default, the infrared port is *not enabled*. You must enable it in the BIOS Setup utility and then install the appropriate infrared driver. For details, refer to the driver's Readme file located in \OmniBook\Drivers. When you enable the infrared port, disable ECP because they use the same resources.

---

The OmniBook has an infrared port—located on the rear panel—which provides wireless, serial communication between the OmniBook and other infrared devices such as printers or other OmniBooks.

- Line up the OmniBook's infrared port and the other infrared port in as straight a line as possible. The two ports should be no more than 1 meter apart, with no obstructions in between. Noise from nearby equipment can cause transmission errors.
- To check the status of communications, go to Infrared Monitor (Start, Settings, Control Panel).

### **Printing to an Infrared Printer**

- Install your printer and assign it to the OmniBook's infrared port. You can then print from your applications as you would to any other printer. Be sure the OmniBook and printer infrared ports are properly aligned.

### **Transferring Files with an Infrared Connection**

To transfer files, you can use the Direct Cable Connection software built into Windows 95 and Windows 98. You need to install it first.

1. From Control Panel, click Add/Remove Programs.
2. Click Windows Setup, Communications, and select Direct Cable Connection. See the Windows online help for instructions about how to use Direct Cable Connection.

---

## Using PC Cards

This section describes how to

- ◆ Insert and remove a PC Card.
- ◆ Find a list of tested PC Cards.
- ◆ Install Card Executive for Windows NT.

---

### To insert and remove a PC Card

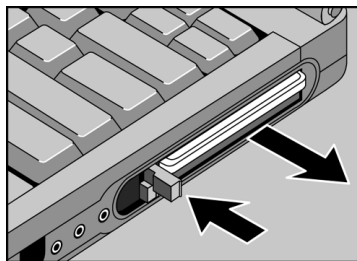
---

**Note**

Windows NT 4.0 does not support zoomed video. If you are using Windows NT 4.0, make sure you've installed Card Executive (see page 4-16 for instructions).

The OmniBook PC Card slots are available for storing data and expanding the communication capabilities of the OmniBook. The OmniBook supports standard Type I, II, and III PC Cards (PCMCIA and CardBus). You can use two Type I or II cards or one Type III card. On the OmniBook 4150, the lower slot supports Zoomed Video, which allows high-quality multimedia presentations. On the OmniBook 4100, both slots support Zoomed Video.

1. Hold the card with its face up and its connector holes toward the card slot.
2. Slide the PC Card into the slot until it is flush with the OmniBook.
3. To remove the card, click the PC Card indicator in the taskbar, then click Stop (for Windows 95 or Windows 98 only). This protects your data and avoids unexpected problems. You can restart the card by removing it, then reinserting.
4. Press the eject button to pop the card out.



---

## To find tested PC Cards

For the latest information about compatible cards, visit our website at <http://www.hp.com/omnibook> and check the Accessories section. Or contact Hewlett-Packard as described in the *Support and Service* booklet.

---

## To install Card Executive for Windows NT

To take advantage of Card Executive's plug-n-play for PC network cards, you must install Card Executive before installing Windows NT networking. Card Executive is located on the OmniBook's hard disk drive.

You set up Card Executive from the Windows Start menu. (The driver is also located on the *Recovery CD* in \OmniBook\Drivers\Pccard. )

Card Executive adds the following capabilities to your OmniBook:

- Plug and Play for PC Cards using standard Windows NT drivers.
- Plug and Play for supported network PC Cards.
- Automatic configuration of PC Cards utilizing advanced "Wizard" technology to allocate system resources.
- Suspend/Resume functions and simplified administration of PC Cards when integrated with Phoenix Card Executive.

1. Click Start, Programs, OmniBook, Card Executive, Setup.
2. Follow the setup instructions on the screen.

You can download the Phoenix Card Executive documentation from the following website: <http://www.phoenix.com/notebook/addinfo.html>.

---

## Using Docking Products

A docking product provides external connections for the OmniBook that you can leave in place whenever you remove the OmniBook from your desk. Instead of disconnecting and reconnecting peripheral devices, simply undock and dock the OmniBook. This section describes how to

- Install a docking tray.
- Dock the OmniBook.
- Undock the OmniBook.

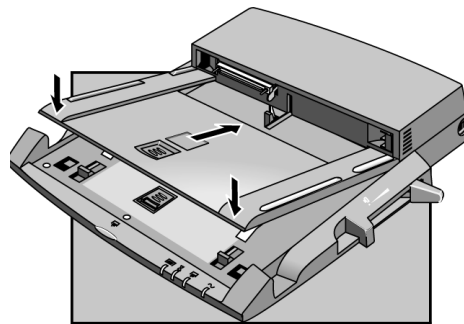
For more information about using docking products, see the *User's Guide* that shipped with your dock.

---

### To install a docking tray

Your dock requires a tray that accommodates your specific OmniBook model. Install this tray prior to connecting the OmniBook to the dock.

1. Select the tray labeled for the OmniBook 4100/4150.
2. Slide the rear of the tray into the dock as shown on the dock label.
3. Push down firmly on both sides of the tray until it snaps into place.

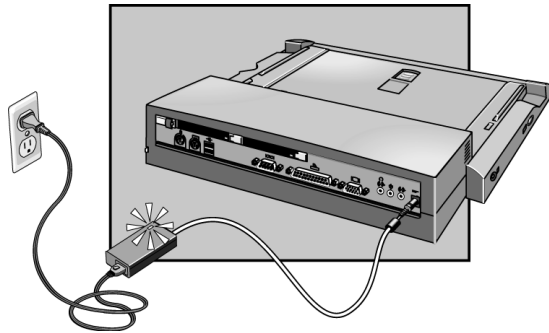


To remove a tray from the dock, pull the latch (at the center front of the dock) towards you until the tray pops free.

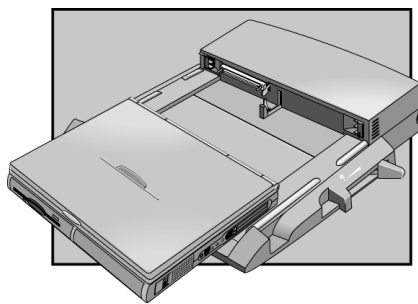
---

## To dock the OmniBook

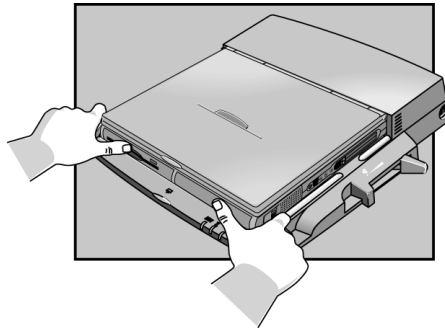
1. From the Start menu, shut down the OmniBook.  
If you have a plug-and-play operating system, such as Windows 95 or Windows 98, you do not need to turn off the OmniBook before inserting it into the dock.
2. Connect power to the dock—the type of connection depends on the dock. See the manual that came with the dock



3. Place the OmniBook on the dock platform, with the rear of the computer facing the dock's docking connector.



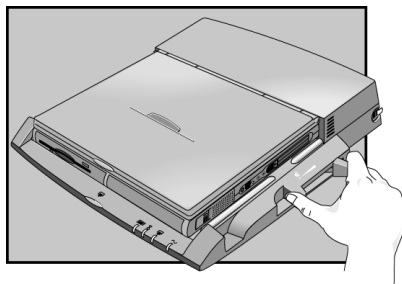
4. Position your fingers on the platform grips as shown below. Use your thumbs to push the computer into the dock until the computer slides into place.



---

## To undock the OmniBook

1. If you're using Windows NT, click Start, Shut Down.
2. Press the undock button on the front of the dock and wait for the undock light to turn green. Then position your thumb as shown and pull the release lever forward.



3. Remove the OmniBook from the dock.





---

**Expanding the OmniBook**

---

---

## Expanding the OmniBook

This chapter describes some of the optional equipment that can be added to the OmniBook—components installed inside the computer rather than connected to the computer's I/O ports.

This chapter describes procedures to expand or update the capabilities of your OmniBook, including

- ◆ Installing a hard disk drive.
- ◆ Installing a RAM expansion module.

---

## Installing a Hard Disk Drive

This section describes how to

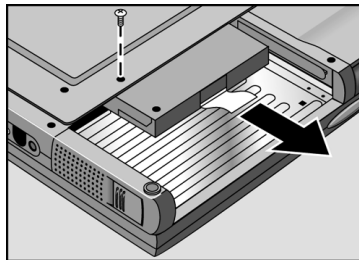
- ◆ Replace the hard disk drive.
- ◆ Replace the hard disk drive holder.
- ◆ Create a hibernate partition for a new hard disk drive.

---

### To replace the hard disk drive

You'll need a small Phillips screwdriver for this procedure.

1. Unplug the ac adapter, if present, and remove the battery.
2. Turn the unit bottom side up.
3. Remove the hard drive screw from the bottom case.
4. Pull out the hard drive by its plastic tab.



---

#### Important

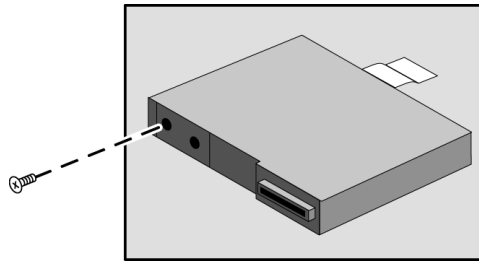
If you are installing a new hard disk drive, you should create a Hibernate partition on the drive before loading any software—see page 5-5 for instructions.

---

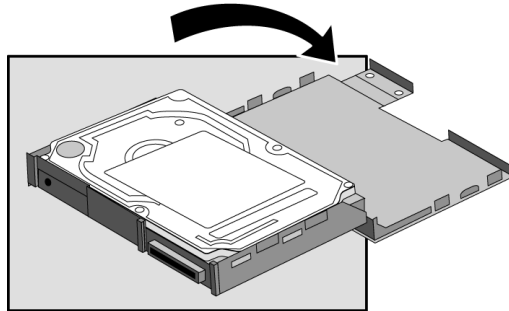
## To replace the hard disk drive holder

If you are installing a new hard drive that does not have a cover, you can remove the cover parts from the old hard drive. You'll need a small flat blade screwdriver for this procedure.

1. Remove the screw from the case, then pry open the flap. If necessary, use a flat-blade screwdriver.

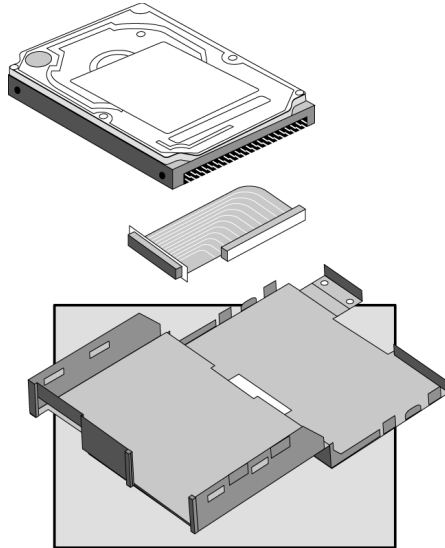


2. Use a flat-blade screwdriver to pry open the snaps at the ends of the case, then open the connector-side of the case.



3. Pry out the corner next to the connector, then lift out the connector and hard drive together.

4. Unplug the internal connector and cable from the hard drive.



---

## To create a Hibernate partition

You'll need the OmniBook CD-ROM drive and the OmniBook *Recovery CD* to create a hibernate partition.

1. Connect the ac adapter to the OmniBook.
2. Insert the CD-ROM drive in the OmniBook.
3. Insert the bootable *Recovery CD* in the drive.
4. Reboot, press ESC twice and select the CD-ROM as the boot device.
5. The DOS Startup menu appears.
6. Choose the following option:  
Create Hibernate Partition (erases Hard Disk).
7. Choose Y to Continue.
8. When prompted for "Hibernate" partition size, select the factory default.

*Do not interrupt the Hibernate partition process or unplug the ac adapter until the process is complete.*

---

## Installing a RAM Expansion Module

The OmniBook 4100 has 32 MB of RAM on the motherboard and has one RAM slot for installing additional RAM. The OmniBook 4150 has no RAM on the motherboard and has two RAM slots for installing RAM.

---

### CAUTION

Your OmniBook's computer chips are extremely static-sensitive. Static electricity can permanently damage computer chips. Handle the RAM module only by its edges. Before installing the memory module, discharge your body's static electricity by touching the metal shielding around the connectors on the rear of the OmniBook.

The OmniBook provides an optional memory expansion slot for installing a RAM expansion module.

This section describes how to

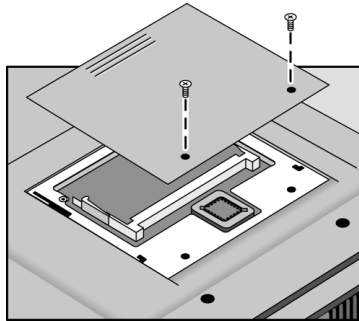
- ◆ Install a RAM expansion module.
- ◆ Remove a RAM expansion module.

---

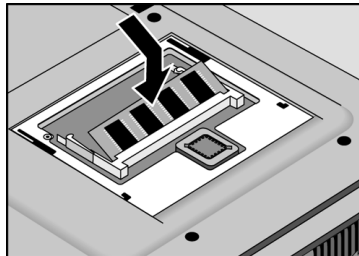
## To install a RAM expansion module

Your OmniBook's computer chips are extremely static-sensitive. Static electricity can permanently damage computer chips. Before starting, reading the caution on page 5-6 about how to handle RAM expansion modules.

1. From the Start menu, shut down the OmniBook.
2. Unplug the ac adapter, if present, and remove the battery. (Remove a second battery if one is installed.)
3. Turn the unit bottom side up, then remove the two screws from the RAM cover and remove the cover.



4. Insert the RAM board into the connector at about a 30° angle until it is fully inserted. Then press down at both sides until both latches snap closed.



---

**Note**

The OmniBook 4150 has two RAM connectors—one contains a RAM module installed at the factory. You can use both slots to expand your RAM.

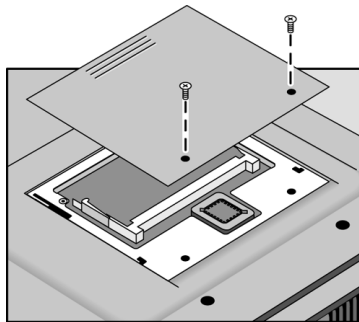
---

---

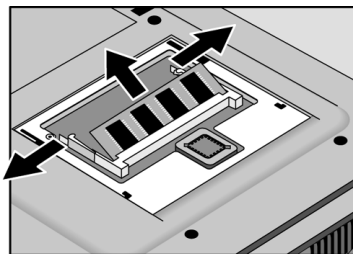
## To remove a a RAM expansion module

Your OmniBook's computer chips are extremely static-sensitive. Static electricity can permanently damage computer chips. Before starting, reading the caution on page 5-6 about how to handle RAM expansion modules.

1. From the Start menu, shut down the OmniBook.
2. Unplug the ac adapter, if present, and remove the battery. (Remove a second battery if one is installed.)
3. Turn the unit bottom side up, then remove the two screws from the RAM cover and remove the cover.



4. Release the two latches at the sides of the RAM board, so the free edge of the board pops up.



The OmniBook 4150 has two RAM connectors.

5. Pull the board out of the connector.
6. Replace the door.
7. Insert the battery.



**————** Using the *Recovery CD*

---

---

## Using the *Recovery CD*

You can use the OmniBook *Recovery CD* to recover an original OmniBook build, or you can use it to install the HP custom software over a user-installed alternate operating system.

The *Recovery CD* provides the OmniBook-specific drivers to configure your custom system. The drivers are located in these places:

- On the *Recovery CD* ROM, under \OmniBook\Drivers.
- On the OmniBook hard drive under C:\OmniBook\Drivers.
- On the OmniBook website at <http://www.hp.com/omniBook>. This website contains the latest updates of software drivers.

---

**Important**

---

The drivers for the retail version of these operating systems, as well as other operating systems, are located on the OmniBook website. Detailed instructions are located in the Readme for each driver.

The OmniBook *Recovery CD* includes the following:

Directory	Contains
README.TXT text file	Instructions for using the <i>Recovery CD</i> .
RECOVER\	
BOOTDISK	For creating your own copy of a boot disk.
OMNIBOOK\	
HPUTILS	Use this to install the online <i>User's Handbook</i> or to copy the OmniBook Notes and Support files to the \OmniBook directory on your hard drive.
DRIVERS	Use this to manually install individual device drivers for your factory-installed operating system. The README file in OmniBook\Drivers contains complete installation instructions.  If you need drivers for other operating systems, go to the OmniBook website at <a href="http://www.hp.com/omniBook">http://www.hp.com/omniBook</a> .
MANUALS	Use this for viewing of the online <i>User's Handbook</i> from the CD. See HPUTILS above to install the <i>User's Handbook</i> .

---

## Recovering Software

If you've deleted or lost files on the OmniBook, causing the system to work improperly, you may need to recover the original Windows operating system. You can also recover OmniBook files and install them over an alternate operating system, if you've installed one.

This section describes how to

- ◆ Recover the factory installation of Windows.
- ◆ Install the OmniBook online *User's Handbook*.
- ◆ Replace a damaged *Recovery CD* or hard disk drive.
- ◆ Get drivers for other operating systems.
- ◆ Update the OmniBook BIOS.

---

## To recover the factory installation of Windows

The following procedure describes how to recover the original Windows operating system that came with your OmniBook.

---

### CAUTION

---

This procedure will format the hard disk drive. After the hard disk drive is formatted, you'll need to reinstall any applications. Reformatting the hard disk drive will erase all data on the disk. If possible, *back up any files you would like to save before installing Windows.*

1. Shut down the OmniBook and insert the CD-ROM drive in the module bay.
2. Connect the ac adapter and turn on the OmniBook.
3. When you see the HP logo, press F2 to enter the BIOS Setup utility.
4. Open the Boot menu and select CD-ROM as the first boot device. (*You may want to change the boot order back to Diskette Drive after completing this procedure.*)
5. Insert the *Recovery CD* into the CD-ROM drive.
6. Press F10, then press Yes to save and exit the BIOS Setup utility.
7. When the menu appears, choose "Recover ..." for your operating system.
8. When prompted, select Y to erase the hard disk and continue.
9. When prompted for a "Hibernate" partition size, select the factory default.
10. If you are installing Windows 95 or Windows 98, select a file system (FAT16 or FAT32).

The default file system for both Windows 95 and Windows 98 is FAT32. After the hard drive is erased and partitioned, the OmniBook reboots and begins copying files from the *Recovery CD*.

The recovery process can take up to an hour. *Do not interrupt the recovery process or unplug the ac adapter until recovery is completed.*

---

## To install the online *User's Handbook*

You can install the online *User's Handbook* from the *Recovery CD*. This also installs OmniBook Notes and Support files to your hard drive.

1. Connect the ac adapter to the OmniBook.
2. Install the CD-ROM drive in the OmniBook.
3. Insert the *Recovery CD* in the CD-ROM drive.
4. From the \OmniBook\Hputils\Disk1 directory on the CD, double-click SETUP.EXE. The OmniBook Application Software Setup screen appears.
5. Click Next.
6. Click "OmniBook Online Documentation."
7. Click Install Now.

---

## To replace a damaged *Recovery CD*

If you lose or damage the *Recovery CD*, take your OmniBook and Certificate of Authenticity to an HP Service Center to be replaced. If you mail your OmniBook for this service, you *must* provide a photocopy of the Certificate of Authenticity along with payment.

---

## To install other operating systems

The *Recovery CD* provides the drivers for your factory-installed operating system only. If you install a retail version of Windows 95, Windows 98, or Windows NT, you will need the OmniBook-specific drivers to configure your custom system.

The drivers and the installation instructions for all three of these operating systems are located on the OmniBook website at <http://www.hp.com/omnibook>.

---

## To update the OmniBook BIOS

Hewlett-Packard may update the BIOS to enhance the capabilities of the OmniBook. Updates will be available from HP Customer Care. Visit the Support website at <http://www.hp.com/omnibook>.

You may receive a BIOS update on a floppy disk or on a CD.

---

### **CAUTION**

---

Because a BIOS update replaces the previous version, it is very important you follow these instructions exactly. Otherwise, the OmniBook may be damaged. The BIOS update process resets the configuration settings in the BIOS Setup utility except for the PC Identification and Password.

1. If you are updating the BIOS from a CD, you'll need to change the boot device to CD-ROM/DVD drive. See page 4-7 for instructions.
2. From the Start menu, shut down the OmniBook.
3. Connect the ac adapter to the OmniBook.
4. Remove any PC Cards and if docked, undock the OmniBook.
5. Insert the BIOS Update disk or CD in the appropriate drive.
6. Press the blue power button.
7. When prompted, choose the correct language.
8. When prompted, press C and follow the onscreen instructions. This starts a process that takes approximately 1 minute. *Once it begins, do not interrupt the update process.*

**———— Troubleshooting**

---

# Troubleshooting

If you run into problems with your OmniBook, you can use the suggestions in this chapter for getting back on track.

**If you have questions that this manual doesn't answer, you can**

- Look at the online Help for Windows and other applications.
- Find technical information about the OmniBook on the Internet—visit the Support website at <http://www.hp.com/omnibook>.
- See other books about Windows, MS-DOS, and other applications. Check your local library or bookstore.
- Contact your dealer, or contact Hewlett-Packard—see the *OmniBook Support and Service* booklet or OmniBook Support in the online OmniBook Library.
- Get information about system resources (interrupts, addresses, and memory), see “Software System Resources” on page 8-6.



---

## Solving Problems

If your OmniBook has a problem, find the symptom below that matches your situation. Try the suggestions one at a time.

---

### Accessory Problems

#### **If a port on a dock isn't working**

- Check that ac power is connected.
- Try using the corresponding OmniBook port, while undocked.
- See the manual for the dock.

#### **If you can't boot from a CD in the CD-ROM drive**

- Make sure the CD is a bootable CD, such as the OmniBook *Recovery CD*.
- Press ESC twice during bootup to see if the CD-ROM drive is the first boot device.
- Make sure the CD-ROM drive is seated correctly—remove and reinsert.
- If you always want to boot from a CD, check boot order in BIOS Setup.
  1. From the Start menu, shut down, then restart the OmniBook.
  2. When you see the HP logo, press F2 to enter the BIOS Setup utility.
  3. Open the Boot menu. The default boot order is
    - Diskette Drive
    - Hard Drive
    - CD-ROM/DVD Drive
  4. If CD-ROM/DVD drive is not option 1, use the arrow keys to select it.
  5. Press F6 to move up (or F5 to move down) in the list.
  6. Press F10 to Save and Exit the BIOS Setup utility.
- Make sure you are using an internal OmniBook CD-ROM drive. You cannot boot from an external CD-ROM drive, which you can connect to the OmniBook via a PC Card SCSI connection.

## Audio Problems

### **If sound is not audible**

- Double-click the speaker icon on the taskbar to ensure that Mute is not checked.
- Press Fn+UP-ARROW to increase the volume.
- Check settings in BIOS Setup.
  1. From the Start menu, shut down, then restart the OmniBook.
  2. When you see the HP logo, press F2 to enter the BIOS Setup utility.
  3. From the System Devices menu, check that Audio is enabled.

### **If you hear a loud high-pitched whine (feedback) from the speakers**

- Try reducing the Master volume (Start, Programs, Accessories, Multimedia, Volume Control).
- Avoid using both the built-in microphone and the built-in speakers.

### **If sound doesn't record**

- Check settings in BIOS Setup.
  1. From the Start menu, shut down, then restart the OmniBook.
  2. When you see the HP logo, press F2 to enter the BIOS Setup utility.
  3. From the System Devices menu, check that Audio is enabled.
- Check software controls for recording sound (Start, Programs, Accessories, Multimedia, Sound Recorders).

---

## Display Problems

### **If the OmniBook is on, but the screen is blank**

- Press the space bar to see if the computer is in Standby mode.
- Press Fn+F1 or Fn+F2 to adjust the display. If you are using an external keyboard, Fn = CTRL+ALT.
- Press Fn+F5 in case the internal display was disabled. (Do this three times to return to the state you started from.)
- If the OmniBook is cold, allow it to warm up.

### **If the screen is difficult to read**

- Check whether the display resolution is set to its default setting, 1024 × 768 (XGA). Check this in Start, Settings, Control Panel, Display, Settings.
- Check brightness (Fn+F2 to increase brightness).

### **If an external monitor doesn't work**

- Press Fn+F5 in case the external monitor was disabled. (Do this three times to return to the state you started from.)
- The external monitor may not be detected. In the BIOS Setup utility, try setting Video Display Device to Both in the Main menu. See page 1-12.
- If the monitor is connected to a video adapter in a docking system, in BIOS Setup make sure the Primary Video Adapter is set to Auto in the Main menu. See page 1-12.

## Hard Disk Drive Problems

### **If the OmniBook's hard drive doesn't spin**

- Check the power source.
- Remove and reinsert the hard drive. See page 5-3 for instructions.

### **If the hard disk makes buzzing or whining noise**

- Back up the drive immediately.
- Check for alternate noise sources, such as the fan or a PC Card drive.

### **If files are corrupted**

- Run the McAfee VirusScan program (see page 2-20 for instructions).
- **For Windows 95 or Windows 98**  
If you're using Windows 95 or Windows 98, you can run the Scandisk surface scan to check the platter. (This is not available in Windows NT 4.0). From the Start menu, click Programs, Accessories, System Tools, Scandisk.
- **For Windows NT 4.0**  
Right click on the drive, then click Properties, Tools, Error Checking.

---

## Keyboard and Pointing Device Problems

### **If the pointer is difficult to control**

- To customize all pointing devices, use the Mouse icon in Control Panel.
- To customize the operation of the pointing stick, use the pointing stick icon available on the Taskbar (or in the Windows Control panel) to access TrackPoint Properties.

### **If the touch pad or pointing stick doesn't work**

- Make sure the touch pad or pointing stick is enabled in the BIOS Setup utility.
  1. From the Start menu, shut down, then restart the OmniBook.
  2. When you see the HP logo, press F2 to enter the BIOS Setup utility.
  3. From the System Devices menu, check Internal Pointing Devices.
  4. Select the desired pointing device.
  5. Press F10 to Save and Exit the BIOS Setup utility.
- Reset the OmniBook.

### **If the embedded numeric keypad doesn't work**

- Make sure Num Lock is on.
- Make sure the embedded Keypad Lock (Fn+F8) is on—or that you press and hold the Fn key to temporarily access the embedded keypad.

### **If a special feature on the PS/2 mouse doesn't work**

- The built-in pointing device must be disabled for special mouse features to work. In the BIOS Setup utility, check that the PS/2 Pointing Devices option is set to Auto in the System Devices menu. See page 1-13.
- Make sure you installed any drivers installed with the mouse.

### **If CTRL+ALT doesn't work on an external keyboard**

- CTRL+ALT should work like the Fn key on an external keyboard. In BIOS Setup, check that External Fn Key is enabled in the System Devices menu. See page 1-13.

---

## **Infrared Problems**

### **If you have problems with infrared communications**

- Windows NT 4.0 does not support infrared devices.
- Make sure the infrared light path is not blocked.
- Line up the OmniBook's infrared port and the other infrared port in as straight a line as possible. The two ports should be no more than 1 meter apart, with no obstructions in between. Noise from nearby equipment can cause transmission errors.
- Check settings in BIOS Setup utility.
  1. From the Start menu, shut down, then restart the OmniBook.
  2. When you see the HP logo, press F2 to enter the BIOS Setup utility.
  3. From the System Devices menu, check that Infrared Port is enabled.
  4. Press F10 to Save and Exit the BIOS Setup utility.
- For infrared communications, an infrared driver must be installed and a BIOS Setup setting must be enabled. See page 4-14.
- Check that only one application is using the infrared port.
- Standard IrDA and fast-IrDA are incompatible (they use different drivers).
- For fast-IrDA, check for DMA conflict with ECP parallel port.
- Remove any PC Cards. An infrared IRQ conflict is possible if two PC Cards are plugged in at the same time.
- In Windows Help, use the Print Troubleshooter.

---

## Memory Problems

### **If a message says you are out of memory**

- In Windows Help, search for Memory Troubleshooter.
- If you are having memory problems running MS-DOS programs, in Windows Help search for MS-DOS troubleshooter.
- Not all 3rd party memory cards have been tested with the OmniBook. Please check the HP website for a list of approved and tested PC Cards.

---

## PC Card (PCMCIA) Problems

### **If the OmniBook doesn't recognize a PC Card**

- Make sure Card Executive is installed for Windows NT.
- Remove and reinsert the PC card.
- If the card requires an IRQ, check that there is one available.
  - If you're using Windows 95 or Windows 98, look in Device Manager, Properties, Interrupt Request (IRQ).
  - If you're using Windows NT, click Start, Programs, Administrative Tools, Windows NT Diagnostics.
- Check the OmniBook website for information about supported PC Cards.
- Try the card in another computer.
- Reboot the OmniBook.
- On the OmniBook 4150, Zoomed Video is supported in the lower card slot only.
- Windows NT does not support Zoomed Video.

## Performance Problems

### **If the OmniBook gets hot**

- It is normal for the computer to get warm.
- Make sure the air vents are clear.
- DOS games and other programs that drive CPU usage toward 100% can contribute to a temperature increase.

### **If the OmniBook pauses or runs sluggishly**

- Press CTRL+ALT+DEL to see if an application is not responding.
- Reboot the OmniBook.
- Delete temporary and unneeded files.
- This may be normal Windows behavior (background processing can affect response time).
- Check the BIOS Setup settings.
  1. From the Start menu, shut down, then restart the OmniBook.
  2. When you see the HP logo, press F2 to enter the BIOS Setup utility.
  3. From the Power menu, set the Power Management Mode to Max. Performance.
  4. Press F10 to Save and Exit the BIOS Setup utility.
- Certain background operations (such as McAfee VirusScan) can affect performance while they're running.
- Some file browsers may be unresponsive while they're processing a graphic image or waiting for broken network connections to time out.
- Install additional memory if Windows is spending a lot of time swapping to disk.
- Check amount of available free disk space.
- Try disabling Advanced Power Management.



---

## Power and Battery Problems

### **If the OmniBook turns off immediately after it turns on**

- Battery power is probably extremely low. Plug in the ac adapter, insert a new charged battery module, or insert a second battery module.

### **If the OmniBook keeps beeping**

- The OmniBook beeps for 15 seconds when the battery is low. Save your work, quit immediately, and insert a charged battery or plug in the ac adapter.

### **If the OmniBook has a short operating time**

- Try conserving power using any of the suggestions listed under “To save battery power” on page 3-9.
- If you are running any applications with an automatic save feature, such as MS Word for Windows, disable this feature.
- If the operating time has gotten shorter and the battery is more than a year or two old, you may need to replace the battery.
- Turn down the display brightness (Fn+F1).
- Heavy modem use can affect battery operating time.
- Check the Power Management settings in BIOS Setup.
  1. From the Start menu, shut down, then restart the OmniBook.
  2. When you see the HP logo, press F2 to enter the BIOS Setup utility.
  3. From the Power menu, make sure the Power Management Mode is set to Maximum Power Savings.
  4. Press F10 to Save and Exit the BIOS Setup utility.

Troubleshooting  
**Solving Problems**

**If the battery doesn't charge**

- Make sure the ac adapter is plugged into the power source.
- If you're using a power strip, remove the ac adapter from the power strip and plug it directly into a wall outlet.
- Check that the light on the ac adapter is on.
- Check that the battery is fully installed and locked in place.
- Turn off the OmniBook, then check that the battery contacts are clean and that the ac adapter cables are fully plugged in.
- Move the OmniBook away from any nearby heat source. Unplug the ac adapter and allow the battery to cool down. An elevated battery temperature prevents charging.
- If available, try another battery and ac adapter.

**If the second battery doesn't charge**

- The OmniBook's second battery doesn't charge until the main battery is fully charged.
- Make sure the ac adapter is plugged into the power source.
- Check that the light on the ac adapter is on.
- Check that the second battery module is fully installed and locked in place.

**If the OmniBook stops responding**

- Press CTRL+ALT+DEL to end the application that is not responding.
- Press the blue power button to suspend the OmniBook. Then press the blue button again to turn the OmniBook back on.
- If nothing happens, insert a paper clip into the system-off button on the left side of the OmniBook. Then press the blue button to turn the OmniBook on.

**If the OmniBook doesn't suspend as expected**

- If you have a connection to another computer, the OmniBook doesn't suspend if the connection is actively in use.
- If the OmniBook is performing an operation, it normally waits for the operation to finish.

- If a CD-ROM drive is present, make sure auto insert notification is disabled. This is the default factory setting. In Windows 95 or Windows 98, view the CD-ROM drive properties in Device Manager.

---

## Printing Problems

---

### Hint

---

For most printing problems, use the Print Troubleshooter in Windows Help.

#### **If a serial or parallel printer doesn't print**

- Check that you are using a proper cable or cable adapter, and that the printer is on.
- Check for paper in the printer or other printer errors.
- Make sure the printer cable is secure at both ends.

#### **If an infrared printer doesn't print**

- Windows NT 4.0 does not support infrared devices.
- Make sure the infrared light path is not blocked.
- Check for paper in the printer or other printer errors.
- Make sure Windows is running—infrared printing is supported only while Windows is running.
- An infrared driver must be installed and the BIOS Setup setting must be enabled. For details, refer to the driver's Readme file located in \Omnibook\Drivers.
- In Windows Help, use the Print Troubleshooter.

#### **If the left edge of printed output is missing**

- If the printer you are using is a 600-dpi (dots per inch) printer, try selecting a compatible printer driver for a 300-dpi printer. For example, for a 600-dpi HP LaserJet printer, try using the HP LaserJet IIIsi driver (300-dpi). Certain applications may not work properly with 600-dpi printers.

## Serial, Parallel, and USB Problems

### **If the serial mouse doesn't work**

- First, make certain you followed the manufacturer's installation instructions completely and have installed the mouse properly.
- Check the port connection (may be loose).
- Check settings in Control Panel (and in Windows NT Diagnostics).

### **If a serial modem doesn't work properly**

- In Windows Help use the modem troubleshooter.
- Check the port connection (may be loose).
- Check settings in Control Panel (and in Windows NT Diagnostics).

### **If an I/O card stops communicating properly**

- It may have been reset if the OmniBook suspended or turned off. Exit and restart the application.
- Check settings in Control Panel (and in Windows NT Diagnostics).

### **If the serial or parallel port is not working**

- Check the port connection (may be loose).
- Check settings in Control Panel (and in Windows NT Diagnostics).
- Check settings in BIOS Setup.
  1. From the Start menu, shut down, then restart the OmniBook.
  2. When you see the HP logo, press F2 to enter the BIOS Setup utility.
  3. From the System Devices menu, check that Parallel and Serial are enabled.

### **If the USB port is not working**

- Windows NT 4.0 does not support USB devices.
- Check settings in Control Panel.

- Contact the vendor of the peripheral device, as well as Hewlett-Packard, for the latest versions of the USB drivers.

---

## Startup Problems

### **If the OmniBook doesn't respond at turn-on**

- Connect the ac adapter.
- Press blue power button to try turning on the unit.
- Reset the OmniBook.

If you get no response, remove the battery and ac adapter—then plug in the ac adapter and try resetting. If you still get no response, the unit requires service.

### **If the OmniBook doesn't boot from battery power**

- Make sure the battery is properly inserted.
- Check battery level on status panel.
- Check battery contacts. If available, try another battery.

### **If the OmniBook doesn't boot from the floppy disk drive**

- Check boot order in BIOS Setup utility.
  1. From the Start menu, shut down, then restart the OmniBook.
  2. When you see the HP logo, press F2 to enter the BIOS Setup utility.
  3. Open the Boot menu. The default boot order is
    - Diskette Drive
    - Hard Drive
    - CD-ROM Drive
  4. If Diskette Drive is not option 1, use the arrow keys to select Diskette Drive.
  5. Press F6 to move up (or F5 to move down) in the list.
  6. Press F10 to Save and Exit the BIOS Setup utility.

## Testing the Operation

The OmniBook hardware diagnostic program provides two levels of testing:

- Automated testing using the basic hardware test.
- Advanced testing using the individual hardware tests.

The tests are designed to run after the system reboots. This ensures that the computer will be in a predictable state, so the diagnostic program can properly test the hardware components. The tests are non-destructive and are intended to preserve the state of the computer. The OmniBook reboots when you exit the program so drivers can be loaded.

---

## To create a diagnostic floppy disk

You do not have to create a diagnostic floppy disk if you reboot from the *Recovery CD* and choose the OmniBook diagnostics option.

After inserting a formatted floppy disk in the floppy drive, do one of the following to create a diagnostic floppy disk:

- On an OmniBook with a factory software installation, run **diaginst** from the `\Dmi\Hpdiags` directory on the hard disk.  
–or–  
If HP TopTools is installed, use the DiagTools page to create the disk.
- On any computer with a CD-ROM drive, run **diaginst** from the `\OmniBook\Drivers\Hputils` directory on the OmniBook 4100/4150 *Recovery CD*.
- On any computer with World Wide Web access, download the diagnostic software package from the OmniBook website (<http://www.hp.com/omnibook>), run this file to unpack the files, then run **diaginst** to create the diagnostic disk.

---

## To run the diagnostic test

1. Insert the diagnostic disk in the floppy drive.
2. Reboot the OmniBook.
3. Go through the first several screens.
4. When the hardware detection finishes, check the list of detected hardware.

---

### Hint

If a device is not detected or fails its test below, it may be configured incorrectly in the BIOS Setup utility. You can confirm the problem by running BIOS Setup and checking the settings.

5. **Run the basic test.** Press F2 to start the basic hardware test.
6. If you intend to exit without running advanced tests, press F4 to save system and test information in the Support Ticket log file, HPSUPPT.TXT. Then remove the diagnostic disk and press F3 to exit.
7. **Optional: Run the advanced tests.** Press F2 to open the advanced test screen.
8. Select and run the appropriate tests. Tests are not listed if no such hardware is detected. Press the following keys to run tests:

ENTER	Runs the highlighted test.
F5 or SPACE	Marks or unmarks the highlighted test.
F6	Marks or unmarks all tests in the current menu.
F7	Marks or unmarks all tests in all menus.
F10	Runs all marked tests.
9. When you are finished running tests, press ESC to exit the advanced tests.
10. **Optional:** Press F4 to save system and test information in the Support Ticket log file, HPSUPPT.TXT.
11. **Exit.** Remove the diagnostic disk and press F3 to exit and reboot.
12. **Optional: Check the log.** On any computer, open the HPSUPPT.TXT log file on the diagnostic disk using Notepad or other text editor. It contains a list of all test results and errors.





---

**Specifications and Regulatory  
Information**

---

---

## Specifications and Regulatory Information

Your OmniBook is designed to provide trouble-free operation. The following can help you maintain its dependability:

- Observe the temperature limits and other specifications listed in the next section.
- If you have problems, see the problem-solving suggestions in chapter 7 of this manual.
- If you think your OmniBook might need repair service, see the warranty and service information in the *Support and Service* booklet.

### **To contact Hewlett-Packard**

If you have questions that this manual and the online OmniBook manuals don't answer (even after looking in the contents and index), you can contact Hewlett-Packard at the address or phone number listed in the *Support and Service* booklet or in OmniBook Support in the online OmniBook Library. Please have your OmniBook with you.

### **To clean the OmniBook**

You can clean the OmniBook with a soft cloth dampened either in clean water or in water containing a mild detergent. Do not use an excessively wet cloth nor allow water inside the case. Do not use any abrasive cleaners, especially on the display. Do not apply any cleaner directly to the display. Instead, apply the cleaner to a soft cloth and then gently wipe the display. You can clean the keyboard with a vacuum cleaner to remove accumulated dust.

## Hardware Specifications

<b>Physical Attributes</b>	Size: 330.5mm×256.9mm×35-36.5mm (13.0"×10.1"×1.3-1.4"). Weight: 2.92 kg (6.45 lb).
<b>Processor and Bus Architecture</b>	233-, 266-, or 300-MHz Intel Pentium II processor with MMX technology. 1.6-V core, 2.5-V external, low-power processor. 32-KB (16-KB instruction, 16-KB data) L1 cache. 512-KB pipeline-burst-synchronous L2 cache. 32-bit PCI bus.
<b>Graphics</b>	14.1- or 13.3-inch XGA active-matrix (TFT) display (1024 × 768 × 64K colors). 128-bit NeoMagic MagicGraph graphics accelerator with 2.5-MB video RAM. Zoomed Video support for both PC Card slots (OmniBook 4100). Zoomed Video support for lower PC Card slot only (OmniBook 4150). 1x AGP graphics capability (OmniBook 4150 only).
<b>Power</b>	Rechargeable 9-cell lithium ion battery with LED charge-level gauge (10.8 Vdc, 4.2 AH, 45 watt-hours). Battery life (one battery): up to 3 hours (varies with type of usage). Fast battery recharge: 80% in 1 hour, 100% in 1.5 hours. Low-battery warning. Suspend/resume capability. 60-watt ac adapter: 100 to 240 Vac (50 to 60 Hz) input, 19 Vdc, 3.16 A output.
<b>Mass Storage</b>	6.4-GB or 4.0-GB removable hard drive. 1.44-MB floppy drive module. CD-ROM drive module. <b>Optional</b> LS-120 storage module. DVD drive module.
<b>RAM</b>	<b>OmniBook 4150</b> 64-MB SDRAM in first RAM slot. Two total slots for RAM expansion up to 256 MB. <b>OmniBook 4100</b> 32-MB SDRAM on motherboard. One slot for RAM expansion up to 160 MB.
<b>Audio System</b>	16-bit, Sound Blaster Pro-compatible. SRS 3D enhanced audio. Stereo sound via two built-in speakers. Built-in microphone. Line-in, headphone-out, and microphone-in.

## Specifications and Regulatory Information

### Hardware Specifications

<b>Keyboard and Pointing Device</b>	87/88-key touch-type QWERTY keyboard with 101/102 key emulation. Embedded numeric keypad. 12 function (Fn) keys. Two pointing devices: pointing stick (technology licensed from IBM) and touch pad.
<b>Input/Output</b>	Universal serial bus (USB). 9-pin, 115,200-bps serial (16550 UART). 25-pin bi-directional ECP/EPP parallel. Video-out (up to 1024×768×64K colors at 85-Hz refresh rate). Dual display. PS/2 keyboard/mouse. 4-Mbps IrDA-compliant infrared port.
<b>Expandability</b>	One Type III or two Type II 16-/32-bit PC Card slots (3.3- and 5-V support). CardBus enabled. Plug-in module bay for accessory modules. Optional port replicator, mini dock, and docking system.
<b>Software</b>	Microsoft Windows 95/Windows 98, or Windows NT 4.0. Windows 95/Windows 98-compatible Plug-and-Play. Windows NT 4.0 APM and PC Card Plug-and-Play. Advanced Power Management. DMI with HP TopTools McAfee VirusScan Online <i>User's Guide</i> . OmniBook <i>Recovery CD</i> included. Centralized worldwide BIOS and driver update service.
<b>Security Features</b>	User and administrator passwords. System, hard drive, and docking passwords. PC identification displayed at boot. DMI-accessible electronic serial number. Kensington MicroSaver lock slot.
<b>Environmental Limits</b>	Operating temperature: 5 to 35 °C (41 to 95 °F). Operating humidity: 20 to 90 percent RH (5 to 35 °C). Storage temperature: -20 to 50 °C (-4 to 122 °F).
<b>Major ICs</b>	<b>OmniBook 4150</b> CPU: Intel Mobile Pentium II. South Bridge: PIX4E. Video: NeoMagic MagicGraph NM2200 (NMG5). Audio: NeoMagic MagicGraph NM2200 (NMG5) and NeoMagic Audio MNA2. CardBus: TI PCI1220A. Keyboard controller: National PC87570. Super I/O: SMC 769.

<p><b>OmniBook 4100</b>          CPU: Intel Mobile Pentium or Pentium II.          South Bridge: PIX4E.          Video: NeoMagic MagicGraph NM2160 (NMG4).          Audio: Crystal CS4237B.          CardBus: TI PCI1250A.          Keyboard controller: National PC87570.          Super I/O: SMC 769.</p>	
<p><b>Accessories</b></p>	
<p><b>Memory</b></p>	
F1456A	32-MB SDRAM expansion module.
F1457A	64-MB SDRAM expansion module.
F1622A	128-MB SDRAM expansion module.
<p><b>Hard Disk Drives</b></p>	
F1467A	4.0-GB internal hard disk drive.
F1475A	6.4-GB internal hard disk drive.
<p><b>Plug-in Modules</b></p>	
F1465A	DVD drive module.
F1470A	LS-120 SuperDisk drive module.
F1472A	Floppy drive module.
F1473A	Floppy drive cable for external use.
F1474A	24X CD-ROM drive module.
<p><b>Power Options</b></p>	
F1454A	60-watt ac adapter.
F1455A	75-watt auto/airline power adapter.
F1466A	Lithium-ion battery (primary and secondary).
F1620A	Battery charger (external).
<p><b>Adapters</b></p>	
F1469A	PS/2 Y adapter.
<p><b>PC Cards</b></p>	
F1623A	10/100-Mbps Ethernet + 56-Kbps modem PC Card by Xircom.
F1625A	56-Kbps global modem PC Card by Xircom.
F1626A	10/100-Mbps Ethernet PC Card by 3Com.
F1627A	56-Kbps US modem PC Card by Xircom.
TCM3C589	10-Mbps Ethernet PC Card by 3Com.
<p><b>Docks</b></p>	
F1451A	Port replicator.
F1452A	Mini dock.
F1453A	Monitor stand (short) for F1451A and F1452A.
F1468A	Docking bay module adapter.
F1477A	Docking system and monitor stand (tall).

---

## Software System Resources

Below are default values for the system resources. To see other, non-default possibilities, refer to the BIOS Setup utility, which lists port and audio device configurations in the Input/Output menu.

### System Resources

The tables in this section show typical resource usage as set up by the OmniBook BIOS. Plug-and-play operating systems, drivers, and BIOS setup settings may change some of the entries.

### System Interrupts

0	System timer
1	Keyboard
2	Cascade IRQ 9
3	Free (or COM2 infrared port, if enabled)
4	COM1 (serial port)
5	Crystal sound
6	Floppy drive
7	LPT1 (ECP parallel port)
8	Real-time clock
9	Free
10	USB and CardBus - assigned by Windows driver
11	Free
12	Pointing device
13	Numeric data processor
14	Internal hard disk (primary IDE controller)
15	Internal CD-ROM drive (secondary IDE controller)

### System Memory

00000 - 9FFFF	System memory
A0000 - BFFFF	Video
C0000 - CBFFF	Video BIOS
CC000 - DBFFF*	Free**
DC000*- FFFFF	System BIOS
* Approximate boundary.	
** Valid uses for memory addresses CC000-DBFFF: Upper memory blocks (UMBs). PC card memory windows.	

### System Input/Output Addresses (100-3FF)

120-127	Audio
170-177	Internal CD-ROM drive (secondary IDE controller)
1F0-1F7	Internal hard disk (primary IDE controller)
220-22F	Audio
376	Internal CD-ROM drive (secondary IDE controller)
378-37F	LPT1 (printer port)
388-38B	Audio
3B0-3BB	VGA adapter
3C0-3DF	VGA adapter
3E0-3E1	PCMCIA controller
3F0-3F5	Floppy controller
3F6	Internal hard disk (primary IDE controller)
3F7	Floppy controller
3F8-3FF	COM1 (serial port)

### DMA Channels

0	Sound record
1	Sound playback
2	Floppy drive
3	LPT1 (ECP parallel port)
4	Cascade
5	Free
6	Free
7	Free

---

## Safety Information

**Power Cords**

The power cord supplied with the OmniBook ac adapter should match the plug and voltage requirements for your local area. Regulatory approval for the ac adapter has been obtained using the power cord for the local area. However, if you travel to a different area and need to connect to a different outlet or voltage, you should use one of the power cords listed below. To purchase a power cord (including one for a country not listed below) or a replacement ac adapter (HP part number F1454A), contact your local Hewlett-Packard dealer or Sales and Service office.

**Power Cords**

<b>Country</b>	<b>Rated Voltage and Current</b>	<b>HP Part Number</b>
Canada Mexico Philippines Taiwan United States	125 Vac (3 A)	8120-6313
East and West Europe Egypt Saudi Arabia	250 Vac (2.5 A)	8120-6314
Hong Kong Singapore United Kingdom	250 Vac (2.5 A)	8120-8699
Australia New Zealand	250 Vac (2.5 A)	8120-6312
Japan	125 Vac (3 A)	8120-6316
India South Africa	250 Vac (2.5 A)	8120-6317
People's Republic of China	250 Vac (2.5 A)	8120-8373



### Working In Comfort

---

**W A R N I N G**

---

Improper use of keyboards and other input devices has been associated with ergonomic injury. For information about reducing your risk, see the “Working in Comfort” document shipped with your OmniBook, or visit our ergonomics website, <http://www.hp.com/ergo>.

### Battery Safety

- To avoid risk of fire, burns, or damage to your battery pack, do not allow a metal object to touch the battery contacts.
- The battery pack is suitable for use only with compatible OmniBook models. Check the *Support and Service* booklet for your local HP contact.
- Do not disassemble. There are no serviceable parts inside. Do not dispose of the battery pack in fire or water.
- Handle a damaged or leaking battery with extreme care. If you come in contact with the electrolyte, wash the exposed area with soap and water. If it contacts the eye, flush the eye with water for 15 minutes and seek medical attention.
- Do not expose the battery pack to high storage temperatures (above 60 °C, 140 °F).
- When the battery is not in use, store it in the battery pouch provided.
- When discarding a battery pack, contact your local waste disposal provider regarding local restrictions on the disposal or recycling of batteries.
- To obtain a replacement battery, contact your local dealer or HP sales office.
- Do not charge the battery pack if the ambient temperature exceeds 45 °C (113 °F).

## Safety Information

### Laser Safety

The CD-ROM and DVD drives used with the OmniBook are certified as a Class 1 laser devices according to the U.S. Department of Health and Human Services (DHHS) Radiation Performance Standard and International Standards IEC 825 / IEC 825-1 (EN60825 / EN60825-1). These devices are not considered harmful, but the following precautions are recommended:

- Ensure proper use by reading and following the instructions carefully.
- If the unit requires service, contact an authorized HP service center—see the *OmniBook Support and Service* booklet.
- Do not attempt to make any adjustment of the unit.
- Avoid direct exposure to the laser beam—do not open the unit.

CLASS 1 LASER PRODUCT  
LASER KLASSE 1

### LED Safety

The infrared port located on the back panel of the OmniBook is classified as a Class 1 LED (light-emitting diode) device according to International Standard IEC 825-1 (EN60825-1). This device is not considered harmful, but the following precautions are recommended:

- If the unit requires service, contact an authorized HP service center—see the *OmniBook Support and Service* booklet.
- Do not attempt to make any adjustment of the unit.
- Avoid direct eye exposure to the infrared LED beam. Be aware that the beam is invisible light and cannot be seen.
- Do not attempt to view the infrared LED beam with any type of optical device.

CLASS 1 LED PRODUCT  
LEDSCHÜTZKLASSE 1 PRODUKT

---

## Regulatory Information

This section presents information that shows how the OmniBook complies with regulations in certain regions. Any modifications to the OmniBook not expressly approved by Hewlett-Packard could void the authority to operate the OmniBook in these regions.

---

### U.S.A.

The OmniBook generates and uses radio frequency energy and may interfere with radio and television reception. The OmniBook complies with the limits for a Class B computing device as specified in Part 15 of FCC Rules, which provide reasonable protection against such interference in a residential installation. In the unlikely event that there is interference to radio or television reception (which can be determined by removing the unit's batteries and ac adapter), try the following:

- Reorienting or relocating the receiving antenna.
- Relocating the OmniBook with respect to the receiver.
- Connecting the OmniBook ac adapter to another power outlet.

### **Connections to Peripheral Devices**

To maintain compliance with FCC Rules and Regulations, use properly shielded cables with this device.

For more information, consult your dealer, an experienced radio/television technician, or the following booklet, prepared by the Federal Communications Commission: *How to Identify and Resolve Radio-TV Interference Problems*. This booklet is available from the U.S. Government Printing Office, Washington, DC 20402, Stock Number 004-000-00345-4. At the first printing of this manual, the telephone number was (202) 512-1800.

## Specifications and Regulatory Information

### Regulatory Information

#### Declaration of Conformity

**Responsible Party:** Hewlett-Packard Company  
Manager of Corporate Product Regulations  
3000 Hanover Street  
Palo Alto, CA 94304  
(415) 857-1501

declares that the product(s)

**Trade name:** Hewlett-Packard Company

**Product name:** HP OmniBook 4100/4150

Complies with Part 15 of the FCC Rules. Operation is subject to the following two conditions:

1. This device may not cause harmful interference, and
2. This device must accept any interference received, including interference that may cause undesired operation.

---

## Canada

This digital apparatus does not exceed the Class B limits for radio noise emissions from digital apparatus as set out in the radio interference regulations of the Canadian Department of Communications.

Le présent appareil numérique n'émet pas de bruits radioélectriques dépassant les limites applicables aux appareils numériques de Classe B prescrites dans le règlement sur le brouillage radioélectrique édicté par le Ministère des Communications du Canada.

---

## Japan

この装置は、情報処理装置等電波障害自主規制協議会（VCCI）の基準に基づくクラスB情報技術装置です。この装置は、家庭環境で使用することを目的としていますが、この装置がラジオやテレビジョン受信機に近接して使用されると受信障害を引き起こすことがあります。

取り扱い説明書に従って正しい取り扱いをして下さい。

---

## Europe

Products sold in Europe by Hewlett-Packard and its authorized dealers meet the specifications listed below.

### **Declaration of Conformity (according to ISO/IEC Guide 22 and EN 45014)**

<b>Manufacturer:</b>	Hewlett-Packard Company
<b>Address:</b>	Hewlett-Packard Company Mobile Computing Division 19310 Pruneridge Ave. Cupertino, CA 95014 declares that the following product
<b>Product name:</b>	HP OmniBook 4100/4150
<b>Options:</b>	All
<b>Safety:</b>	conforms to the following product specifications IEC 950:1991+A1,A2 ,A3 / EN 60950 (1992)+A1,A2, A3 IEC 825-1:1993/EN60825-1:1994, Class 1
<b>EMC:</b>	CISPR 22:1993 / EN 55022 (1994): Class B <sup>[1]</sup> EN 50082-1:1992 IEC 801-2:1991 / prEN 55024-2 (1992): 4kV CD, 8kV AD IEC 801-3:1984 / prEN 55024-3 (1991): 3V/m IEC 801-4:1988 / prEN 55024-4 (1992): 0.5 kV signal lines, 1.0kV power lines
<b>Supplementary Information:</b>	The product herewith complies with the requirements of the Low Voltage Directive 73/23/EEC, EMC Directive 89/336/EEC and IEC 825-1 and carries the CE mark accordingly.  The HP F1454A ac adapter used with this product is designed to operate on all power systems, other than IT power systems. [1] The product was tested in a typical configuration with Hewlett-Packard personal computer peripherals.

Quality Department  
Hewlett-Packard Company  
Mobile Computing Division



---

# Index

## A

- ac (time-out), 1-15, 3-10
- ac adapter
  - charging battery, 3-5
  - connecting, 1-9, 3-5
  - jack, 1-5
  - part number, 1-9
- accessories
  - CD-ROM drive, 4-6
  - docking products, 4-17
  - ordering online, 1-4
  - plug-in, 4-3, 4-4
  - SmartCard, 1-4
- ACPI, 1-15
- address
  - Hewlett-Packard, 8-2
  - HP website, 1-2
- Advanced Power Management (APM)
  - optimizing battery life, 3-8
  - preinstalled for Windows 95, 3-2, 3-8
  - Windows NT 4.0, 3-8
- airline adapter, 1-4
- anti-static devices, 5-6
- audio
  - adjusting volume, 2-11, 7-4
  - devices (connecting), 4-13
- audio devices
  - muting, 4-13
  - troubleshooting, 7-4
- audio drivers
  - Windows NT 4.0, 6-2

- audio jacks
  - location, 1-5
- auto/airline adapter, 1-4

## B

- battery
  - charging, 3-5
  - installing secondary, 3-7
  - low warning, 3-4
  - operating time, 3-9
  - safety, 3-6
  - saving power, 3-9
  - status, 2-17
  - troubleshooting, 7-11
- BIOS
  - resources, 8-6
  - updating, 6-6
- BIOS Setup utility, 1-11, 7-7
  - Boot menu, 1-16
  - deleting passwords, 2-20
  - Exit menu, 1-16
  - Main menu, 1-12
  - Power menu, 1-15
  - Security menu, 1-14
  - setting passwords, 2-19
  - setting time-outs, 3-10
  - System Devices menu, 1-13
- Boot menu
  - changing boot device, 4-7
- Boot menu (BIOS), 1-16

## C

Card Executive, 4-16

CD-ROM drive

- inserting CD, 4-6
- opening manually, 4-7
- removing CD, 4-6

channels (DMA), 8-7

charging

- battery, 3-5

cleaning the OmniBook, 8-2

clicking items, 2-6

COM1 port, 1-7, 4-9

configuring

- audio devices, 8-6
- BIOS settings, 1-11
- pointing stick, 2-8
- system resources, 8-6
- TopTools, 1-17
- touch pad, 2-7

connecting

- ac adapter, 3-5
- audio devices, 4-13
- external display, 4-10
- infrared device, 4-14
- parallel device, 4-11
- serial device, 4-11
- serial mouse, 4-11
- USB device, 4-12

copyrights, ii

Corporate Evaluator's Guide, 1-2

corrupted files, 7-6

creating

- diagnostic disk, 7-16
- Support Utility disk, 6-2

cursor (pointer), 2-6

## D

defaults (system), 1-12, 8-6

deleting password, 2-20, 3-10

destop management, 1-17

devices

anti-static, 5-6

boot order, 1-16

conflicts, 1-16

drivers, 6-2

PS/2, 1-13

devices (external)

- connecting, 4-8
- display, 4-10
- docking, 4-17
- infrared, 4-14
- parallel, 4-11
- ports, 4-9
- serial, 4-11
- USB, 4-12

devices (plug-in)

- CD-ROM drive, 4-6
- floppy disk drive, 4-5
- installing, 4-4

diagnostic disk, 7-16

disks

- CD-ROM, 4-6
- diagnostic, 7-16
- floppy, 4-5
- Support Utility, 6-2

display

- external, 4-10
- options, 4-10
- port location, 1-7, 4-9
- troubleshooting, 7-5
- using, 2-9

DMA channels, 8-7

DMI, 1-17

docking

- products, 4-17
- tray, 4-17

docking port, 1-7, 4-9

dot matrix printer, 4-11

dragging items, 2-6

drive

- CD-ROM, 4-6



- floppy disk, 4-5
- hard drive lock, 2-22
- replacing hard drive, 5-3
- drivers
  - Card Executive, 4-16

## E

- ECP, 4-11
- enabling
  - built-in keypad, 2-13
  - display device, 4-10
  - external display, 2-13, 4-10
- EPP, 4-11
- Exit menu (BIOS), 1-16
- expansion
  - hard disk drive, 5-3
  - memory, 5-7, 5-8
- extended memory, 1-12
- external
  - connections, 4-8
  - display, 2-13
  - keyboard, 2-13
- external keyboard
  - port location, 1-6
- external monitor
  - port location, 1-7, 4-9

## F

- F1 through F12, 2-13
- F1454A (ac adapter), 1-9
- factory installed operating systems, 1-8, 6-3
- FAT32, 6-2
- FDD controller, 1-13
- files
  - infrared transfer, 4-14
  - protecting, 2-22
  - recovering, 6-2
- FIR
  - port location, 1-7, 4-9
- floppy disk drive
  - inserting/removing disk, 4-5

- Fn key
  - + F1 (decrease brightness), 2-9
  - + F12 (Hibernate), 2-13
  - + F2 (increase brightness), 2-9
  - + F5 (display options), 4-10
  - + F8 (keypad), 2-14
  - + R (Suspend), 2-13
  - + S (Standby), 2-13
- function keys, 2-13

## H

- hard disk drive
  - lock, 2-22
  - removing, 5-4
  - security, 2-22
  - time-out, 1-15
  - troubleshooting, 7-6
- hardware specifications, 8-3
- hibernate
  - mode, 2-3, 2-13
  - status lights, 2-16
  - time-out, 1-15, 3-10
- holder (HDD), 5-4
- hot keys, 2-13
- HP applications, 6-5

## I

- IDE controller, 1-13
- infrared
  - I/O address, 1-13
  - DMA channel, 1-13
  - mode, 1-13
  - port (connecting), 4-14
  - port location, 1-7, 4-9
- InkJet printer, 4-11
- inserting
  - CD, 4-6
  - floppy disk, 4-5
  - RAM expansion module, 5-7
- installing
  - docking tray, 4-17

- hard disk drive, 5-3
- main battery, 3-6
- McAfee VirusScan, 2-20
- operating systems, 6-2
- plug-in modules, 4-3
- secondary battery, 3-7
- instant-on, 2-3
- interrupts (system), 8-6

## K

- Kensington lock, 2-21
- keyboard
  - embedded keypad, 2-14
  - Fn hot keys, 2-13
  - non US, 2-15
  - num lock, 2-14
  - numeric keypad, 2-13
  - port location, 1-6
  - status lights, 2-17
  - Windows keys, 2-14
- keypad (embedded), 2-14

## L

- laser printer, 4-11
- laser safety, 8-10
- LED safety, 8-10
- license agreement, iii
- lights
  - keyboard status, 2-17
  - status, 2-16
- low battery
  - charging, 3-5
  - condition, 3-2
  - warning, 3-4
- LPT1 port, 1-7, 4-9

## M

- main battery
  - installing, 3-6
  - when low, 3-4
- Main menu (BIOS), 1-12

- McAfee VirusScan, 2-20
- microphone
  - location, 1-5
- mini dock
  - troubleshooting, 7-3
  - USB ports, 4-12

- modes
  - power, 1-15, 2-3
  - Smart CPU, 1-15, 3-10

- mono plugs, 4-13

- mouse
  - (PS/2) port location, 1-6
  - serial, 4-11

- moving the pointer
  - touch pad, 2-6

- mute, 2-11

## O

- off
  - button, 2-3
  - status lights, 2-16
- OmniBook
  - cleaning, 8-2
  - starting and stopping, 2-3
- OmniBook Notes, 1-2
- on/off button
  - location, 1-5

## P

- parallel device
  - connecting, 4-11
  - troubleshooting, 7-14
- parallel port
  - location, 1-7, 4-9
- PC Cards
  - plug and play, 4-16
  - saving power, 3-9
  - slots for, 1-5
  - Windows NT drivers, 4-16
- PC identification number, 2-22
- performance, 7-10

- plug requirements, 8-8
- plug-in modules
  - location, 1-6
- pointing devices
  - location, 1-5
- pointing stick
  - configuring, 2-8
  - disabling, 2-7
  - location, 1-5
- port replicator
  - troubleshooting, 7-3
  - USB ports, 4-12
- ports
  - external devices, 4-9
  - locations, 1-7, 4-9
- power
  - ACPI, 1-15
  - button location, 1-5
  - connecting ac, 1-9, 3-5
  - conserving, 3-10
  - modes, 2-3
  - saving, 3-9
- power cords, 8-8
- Power menu (BIOS), 1-15
- printing
  - compatible printers, 4-11
  - infrared, 4-14
  - parallel connection, 4-11
  - troubleshooting, 7-13
- product specifications, 8-2
- protection
  - file, 2-22
  - hard drive, 2-22
  - Kensington lock, 2-21
  - McAfee VirusScan, 2-20
  - password, 2-19
  - PC identification, 2-22
- PS/2
  - mouse port, 1-6
- PS/2 devices, 1-13

## R

- RAM
  - troubleshooting, 7-9
- recharging battery, 3-5
- recovering Windows, 6-2
- Recovery CD*
  - contents, 6-2
  - replacing, 6-5
- regulatory information, 8-11
- reinstalling
  - HP applications, 6-5
- removing
  - CD, 4-6
  - hard disk drive, 5-3, 5-4
  - RAM expansion module, 5-7, 5-8
  - secondary battery, 3-7
- replacing
  - hard disk drive holder, 5-4

## S

- safety
  - laser, 8-10
  - LED, 8-10
  - power, 8-8
  - voltage, 8-8
- saving battery power, 3-9
- Scandisk, 7-6
- security
  - hard drive lock, 2-22
  - Kensington lock, 2-21
  - McAfee VirusScan, 2-20
  - passwords, 2-19, 2-20
  - PC identification, 2-22
- Security menu (BIOS), 1-14
- selecting
  - items, 2-6
- serial device
  - connecting, 4-11
  - conserving power, 3-9
  - troubleshooting, 7-14
  - USB, 4-12

- serial mouse, 4-11
- serial port
  - location, 1-7, 4-9
- service
  - booklet, 1-2, 1-3
  - HP service center, 8-10
- setting
  - video display device, 1-12
- setting up
  - McAfee VirusScan, 2-20
  - OmniBook BIOS, 1-11
  - TopTools, 1-17
  - video display device, 1-12
  - Windows, 1-8
- Setup utility, 7-7
- shortcut keys, 2-13
- Smart CPU, 1-15
  - time-out, 3-10
- SmartCard, 1-4
- software
  - license, iii
  - resources, 8-6
- sound. *See* audio
- speakers
  - location, 1-5
- specifications, 8-2
  - hardware, 8-3
  - software system, 8-6
- standby
  - and display life, 2-9
  - mode, 2-3
  - status lights, 2-16
  - time-out, 1-15, 3-10
- starting OmniBook, 2-3
- status lights, 2-16
  - location, 1-5
- stopping OmniBook, 2-3
- support, 8-10
- support utility disk, 6-2
- suspend
  - and display life, 2-9
  - mode, 2-3
  - status lights, 2-16
  - time-out, 1-15, 3-10
- System Devices menu (BIOS), 1-13
- system resources
  - DMA channels, 8-7
  - system interrupts, 8-6
- system-off button
  - location, 1-6

**T**

- taskbar
  - battery, 3-4
  - volume, 2-11
- tattooing, 2-22
- technical support, 1-2
- time-outs, 1-15, 3-10
- TopTools, 1-17
- touch pad
  - configuring, 2-7
  - location, 1-5
  - using, 2-6
- track point. *See* pointing stick
- tray (docking), 4-17
- troubleshooting
  - audio devices, 7-4
  - battery, 7-11
  - CD-ROM drive, 7-3
  - display, 7-5
  - hard disk drive, 7-6
  - memory, 7-9
  - mini dock, 7-3
  - parallel device, 7-14
  - performance, 7-10
  - port replicator, 7-3
  - power, 7-11
  - printing, 7-13
  - serial device, 7-14
  - startup, 7-15
  - touch pad, 7-7

## U

- undocking, 4-19
- Universal Serial Bus (USB)
  - connecting, 4-12
- USB port
  - location, 1-6
- User's Handbook* (online), 1-2

## V

- VGA output, 1-7, 4-9
- VirusScan, 2-20
- voltage requirements, 8-8
- volume
  - adjusting, 2-11
  - troubleshooting, 7-4
  - wheel, 7-4

## W

- warning (low battery), 3-4
- website, 1-2
- wheel (volume), 7-4
- Windows 95
  - documentation, 1-2
  - license agreement, 1-10
  - setting up, 1-8
- Windows keys, 2-14
- Windows NT 4.0
  - setting up, 1-8
- Windows NT 4.0 (retail)
  - APM drivers, 3-8
  - Card Executive, 4-16
- wireless communication, 4-14