

## **Notice to End Users**

This User's Guide & Technical Reference is for assisting system manufacturers and end users in setting up and installing the mainboard.

Every effort has been made to ensure that the information in this manual is accurate. Soltek Computer Inc. is not responsible for printing or clerical errors. **Information in this document is subject to change without notice and does not represent a commitment on the part of Soltek Computer Inc.**

No part of this manual may be reproduced, transmitted, translated into any language in any form or by any means, electronic or mechanical, including photocopying and recording, for any purpose without the express written permission of Soltek Computer Inc.

Companies and products mentioned in this manual are for identification purposes only. Product names appearing in this manual may or may not be registered trademarks or copyrights of their respective companies.

SOLTEK COMPUTER INC. PROVIDES THIS MANUAL "AS IS" WITHOUT WARRANTY OF ANY KIND, EITHER EXPRESS OR IMPLIED, INCLUDING BUT NOT LIMITED TO THE IMPLIED WARRANTIES OR CONDITIONS OF MERCHANTABILITY OR FITNESS FOR A PARTICULAR PURPOSE. IN NO EVENT SHALL SOLTEK COMPUTER INC. BE LIABLE FOR ANY LOSS OR PROFITS, LOSS OF BUSINESS, LOSS OF USE OR DATA, INTERRUPTION OF BUSINESS, OR FOR INDIRECT, SPECIAL, INCIDENTAL, OR CONSEQUENTIAL DAMAGES OF ANY KIND, EVEN IF SOLTEK COMPUTER INC. HAS BEEN ADVISED OF THE POSSIBILITY OF SUCH DAMAGES ARISING FROM ANY DEFECT OR ERROR IN THIS MANUAL OR PRODUCT.

© Copyright 1999 Soltek Computer Inc. All right reserved  
Web site: <http://www.soltek.com.tw>  
email: [support@soltek.com.tw](mailto:support@soltek.com.tw)

**Edition:** January 1999  
**Version:** 1.0  
**SL-65C/65E SERIALS**





# Contents

---

<b>Chapter 1: Introduction</b> .....	<b>1</b>
Features .....	1
CPU .....	1
Chipset .....	1
L2 Cache .....	1
Main Memory .....	1
BIOS.....	2
Super I/O Function .....	2
Sound chip Features.....	2
Other Functions .....	3
Mainboard Layout with Default Settings .....	4
<b>Chapter 2: Hardware Setup</b> .....	<b>5</b>
CPU Type Jumper Configuration .....	5
CPU 4.5X Clock Setting .....	5
PPGA Celeron 370-300A/66MHz.....	5
CPU 5.0X Clock Setting .....	6
PPGA Celeron 370-333/66MHz.....	6
CPU 5.5X Clock Setting.....	6
PPGA Celeron 370-366/66MHz.....	6
CPU 6.0X Clock Setting .....	7
PPGA Celeron 370-400/66MHz.....	7
<b>Jumper Settings</b> .....	<b>8</b>
FAN1-3:Onboard Fan(12V)Connector.....	8
JP10~ JP13 Bus Ratio Select .....	8
JP4:Keyboard Power Selection.....	9
JP8,JP9:USB Port Select.....	9
JVGA1: VGA Card.....	10
JBAT1:Clear CMOS Data .....	10
JP14:Onbord Sound Chip Enabled/Disabled.....	11
JP5,JP6: Sound Amplifier Control (Speaker/Line Out).....	11
JP15:Power Lose Recovery .....	11

Sound connector-----	12
J5/J6:CD-ROM Audio Connector-----	12
Game/MIDI Port-----	12
Mic:Microphone Jack-----	12
Line in:Audio in Jack-----	12
Speaker Out/Line Out:Audio Out Jack-----	12
IDE LED Activity Light:(J2 pin 1-4)-----	12
Infrared Port Module Connector (J2 pin 6-10)-----	12
J2 in12,13: PWR Switch-----	12
SLEEP Switch(J2 pin 14-15)-----	12
Speaker Connector(J3 pin1-4) -----	13
Reset Switch(J3 pin5,6)-----	13
J8: Wake On Lan(WOL)Connector-----	13
Power LED and Keylock Switch(J3 pin8-12)-----	13
Turbo LED (J3pin14,15)-----	14
J2 Switch Signal Summary-----	15
J3 Switch Signal Summary-----	15

**Chapter 3: BIOS Setup -----16**

Standard CMOS Setup -----	17
BIOS Features Setup -----	19
Chipset Features Setup -----	23
Power Management Setup -----	27
PnP/PCI Configuration Setup -----	31
Load Setup Defaults -----	33
Integrated Peripherals -----	34
Supervisor/User Password-----	37
IDE HDD Auto Detection -----	38
Save & Exit Setup -----	38
Exit Without Saving -----	38

# Chapter 1

## Introduction

### **Features**

---

#### **CPU**

1. Supports Intel **PPGA Celeron 370 CPUs using**  
Socket 370 at 300 ~ 433 MHz
2. Supports CPU voltage autodetect circuit

#### **Chipset**

1. Intel 82440LX chipset
2. PCI Rev 2.1, 5V, 33MHz interface compliant
3. Supports 66/133 MHz, 3.3V AGP(Accelerated Graphics Port) slot

#### **L2 Cache**

1. PPGA Celeron 370 CPU supports 128K write back cache with Pipelined Burst SRAMs

#### **Main Memory**

1. Memory range from 8MB (minimum) to 768MB(EDO)  
Or 512MB(SDRAM) (maximum) with DRAM Table Free configurations
2. Supports EDO with 50ns/60ns/70ns speed and SDRAM with 12/10/8ns speed
3. Supports 3 pcs 168pin DIMM sockets (3.3V Unbuffered and 4 clock type)

## **BIOS**

1. AWARD Plug and Play BIOS
2. Supports Advanced Power Management and ACPI Function
3. Flash Memory for easy upgrade

## **Super I/O Function**

1. Integrated USB (Universal Serial Bus) controller with two USB ports.
2. Supports 2 IDE channels with 4IDE devices (including ZIP/LS-120 devices)
3. Provides PCI IDE Bus Master function and supports Ultra DMA33 function
4. One floppy port
5. Two high speed 16550 FIFO UART ports
6. One parallel port with EPP/ECP/SPP capabilities
7. PS/2 mouse connector
8. Built-in RTC, CMOS, keyboard controller on single I/O chip
9. Peripherals boot function (with ATX power)

## **Sound Chip Features (ONLY FOR SL-65E)**

1. Integrated sound controller compatible with:
  - Sound Blaster Pro™
  - AdLib™
  - Microsoft® Windows™ Sound System™
  - MPU-401 MIDI interface
2. Microsoft® PC-97 compliant
3. Built-In QSound QXpander™ 3D Sound Enhancement Processor
4. Built-in high-quality 22 voice, 52 operator, music synthesizer with enhanced bass
5. Built-in 7-channel mixer: five stereo, two mono
6. Built-in 16-bit sigma delta stereo codec
7. ISA Plug and Play Specification 1.0a compatible:
  - Sound Blaster Pro, Windows Sound System, FM synthesis
8. Full duplex operation: record and playback  
Simultaneously using two 8-or 16-bit DMA channels
9. Supports IMA ADPCM,  $\mu$ -law, A-law decompression

10. 8-or 16-bit stereo sound data up to 48KHz stereo
11. Supports 16-bit Type FDMA playback
12. Digital joystick interface support, improves responsiveness (Microsoft SideWinder™)
13. DirectSound™ interface support.

### **Other Functions**

1. ATX size 17cm x 30.5cm
2. 4 PCI Master slots, 2 ISA slots, and 1 AGP slot
3. Supports SCSI/CD-ROM Boot function
4. Supports jumperless setting
- 5. Supports 66/68/75/83Mhz Bus Clock (from Bios)**
6. Supports Wake On Lan (WOL) function. \*\*
7. Supports Power Lost Recovery function.

**\*\*:** *For support WOL, the ATX power supply has to have at least 5V/720mA standby current.*

## Mainboard Layout with Default Settings

The default settings of the following figure is for the PPGA Celeron 370- 300A and the Jumperless function is Enabled.

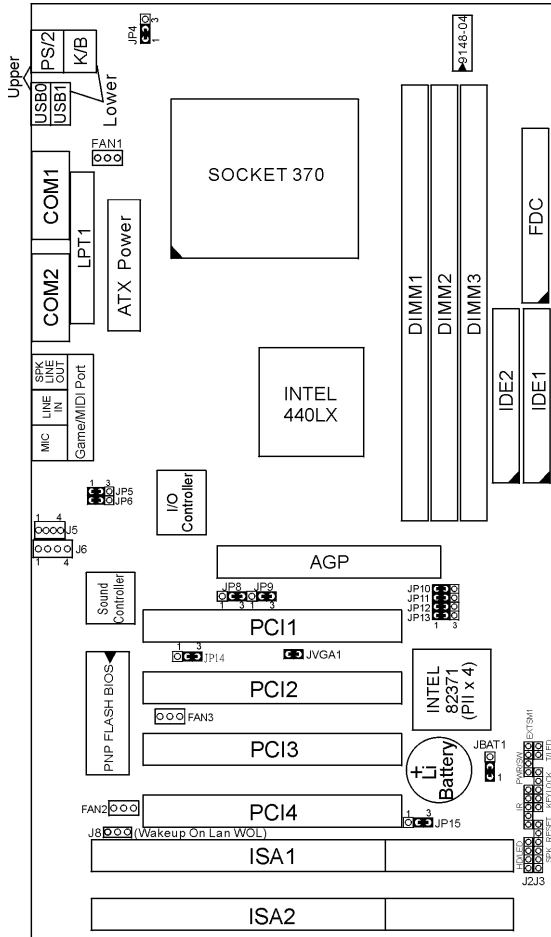


Figure 1-1. Motherboard Layout



# Chapter 2

## Hardware Setup

---

There are two ways to set the CPU type and both ways are controlled by JP10, JP11, JP12, and JP13:

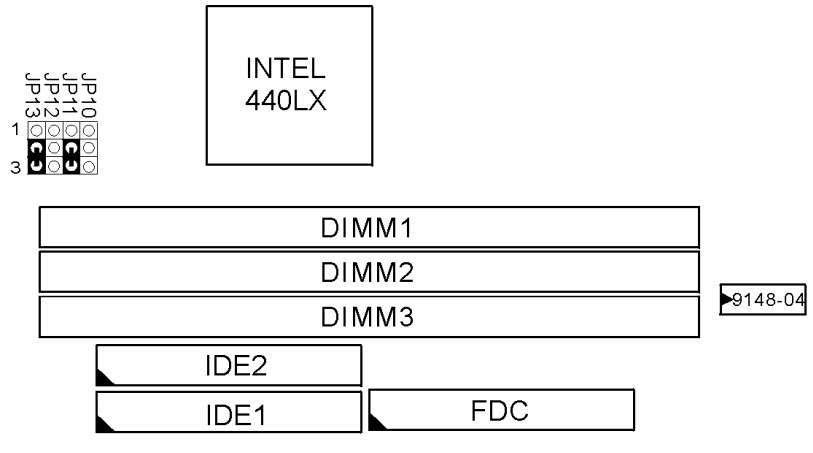
1. Use jumpers (hardware): JP10 ~ JP13 must be set. Refer to the following pages (page 5~7).
2. Use BIOS (jumperless): JP10 ~ JP13 must be all closed at pin 1-2 (default). Refer to “CPU SPEED SETTING” or “CHIPSET FEATURE SETUP” section for detail description.

### ***CPU Type Jumper Configuration***

---

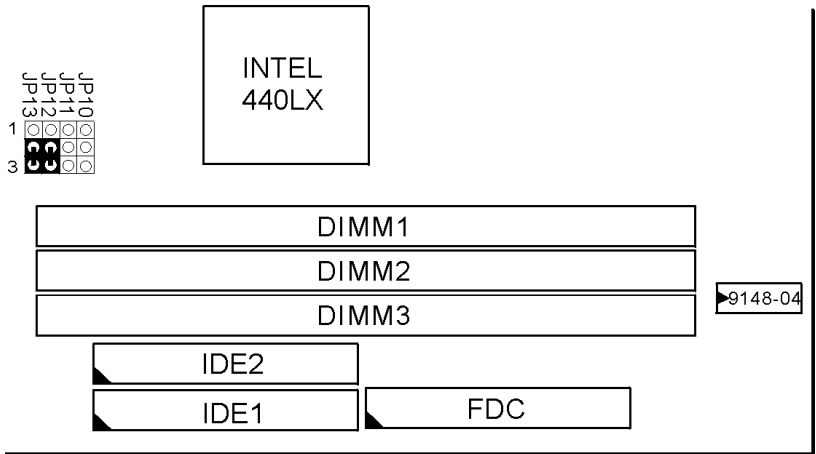
#### ***CPU 4.5X Clock Setting***

**PPGA Celeron 370-300A/66MHz**



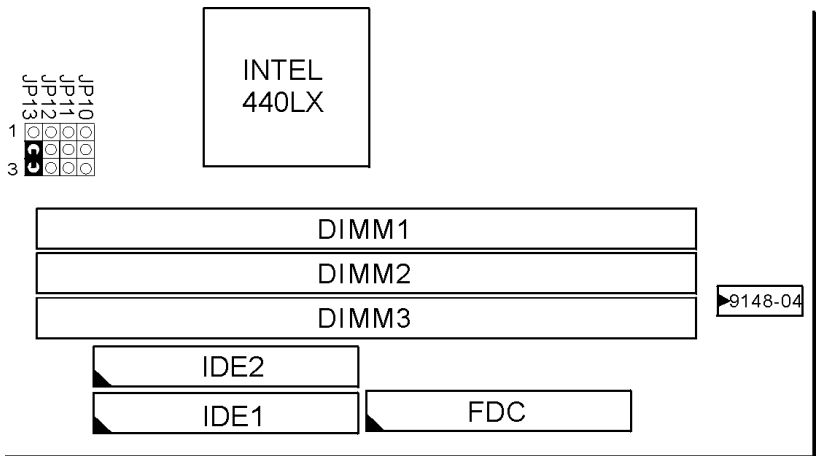
*Figure 2-1. CPU Type Configuration*

**CPU 5.0X Clock Setting**  
**PPGA Celeron 370-333/66 MHz**



*Figure 2-2. CPU Type Configuration*

**CPU 5.5X Clock Setting**  
**PPGA Celeron 370–366/66 MHz**



*Figure 2-3. CPU Type Configuration*

## CPU 6.0X Clock Setting

PPGA Celeron 370-400/66 MHz

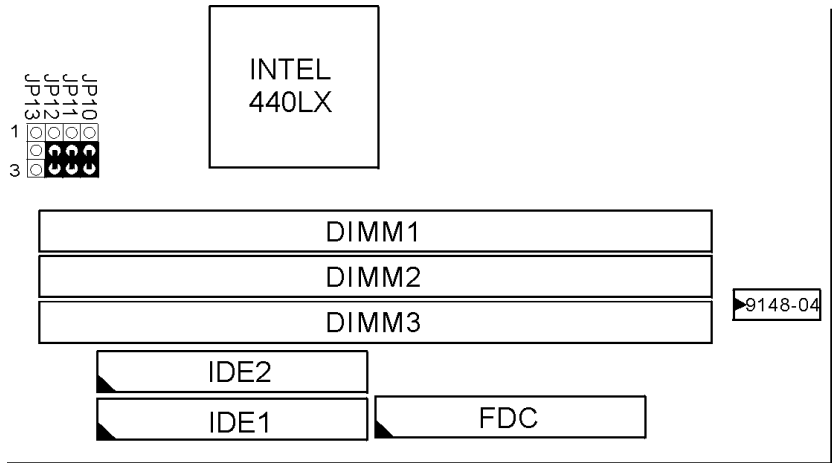


Figure 2-4 CPU Type Configuration

## System Memory Configuration

This 82440ZX motherboard supports 168 pin DIMM of 4MB, 8MB, 16MB, 32MB, 64MB and 128MB to form a memory size between 8MB to 768MB (EDO) or 512MB(SDRAM).

82440ZX chipsets provide “Table- Free” function. It means that users can install DRAM with any configuration and in any bank, and that is why the DRAM table is not needed, but do remember that the DRAM must be 3.3V Unbuffered and 4 clock type.

# Jumper Settings



## FAN 1~3: Onboard FAN (12V) Connector

FAN#	Function
FAN1	CPU FAN
FAN2	Power FAN
FAN3	Chassis FAN

## JP10~JP13: Bus Ratio Select

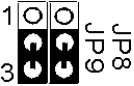

Bus Ratio	JP10~JP13	Bus Ratio	JP10~JP13	Bus Ratio	JP10~JP13	Bus Ratio	JP10~JP13
2.0X		4.0X		6.0X		by BIOS (default)	
2.5X		4.5X		6.5X			
3.0X		5.0X		7.0X			
3.5X		5.5X		7.5X			

## JP4:Keyboard Power Selection



Keyboard Power On	JP4
Disabled (default)	
Enabled	

- Note:1.If the JP4 is fixed by jumperwire then the board does not support keyboard power on function.*
- 2.When the keyboard power on function shows any compatible problem, choose Disabled and report the keyboard model to the vendor/maker.*
- 3.Keyboard power on function must be set from the BIOS. Refer to the ; **Integrated Peripherals** section in the Chapter 3.*

## JP8,JP9:USB Port Select

USB Port	JP8,JP9
Redirect all USB ports To USB connector (default)	
Redirect all USB ports To AGP	



## JVGA1: VGA Card

	<b>JVGA1</b>
For Special VGA Card*	
Normal (default)	

*Note: This jumper is set for the special VGA card. Open this jumper when the system isn't able to boot*



## JBAT1: Clear CMOS Data

Clear the CMOS memory by shorting this jumper momentarily; then remove the cap to retain new settings.

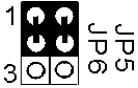
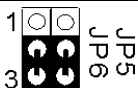
<b>CMOS Data</b>	<b>JBAT1</b>
Clear Data	
Retain Data (default)	

### **JP14: Onboard Sound Chip Enabled/Disabled**

This jumper allows user to control onboard sound chip Function.


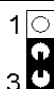
Sound Chip	JP14
Disabled	
Enabled (default)	

### **JP5,JP6: Sound Amplifier Control (Speaker/Line Out)**

Sound Amplifier	JP6/JP5
Speaker Out (w/i amplifier) (default)	
Line Out (w/o amplifier)	

### **JP15:Power Lose Recovery**

This jumper allows you to use the switch of ATX power Supply to control on/off switch directly instead of using the Power switch on the mainboard.

Power Lost Recovery	JP15
Normal(default)	
Enabled	

## ***Sound Connector:***

### ***J5/J6: CD-ROM Audio Connector***

Connect J5/J6 to the CD-ROM Audio Connector.

### ***Game/MIDI port***

Connect the joystick or MIDI to this connector.

### ***Mic:Microphone Jack***

### ***Line in: Audio in Jack***

### ***Speaker Out/Line Out: Audio Out Jack***

Use JP5/JP6 to control speaker out or line out.

### ***IDE LED Activity Light: (J2 pin1-4)***

This connector connects to the hard disk activity indicator light on the case.

### ***Infrared Port Module Connector (J2 pin6-10)***

The system board provides a 5-pin infrared connector-R1 for an optional wireless transmitting and receiving module. Pin 6 through 10 are Transmit, GND, Receive (low speed), Receive (high speed), and Vcc, respectively.

### ***J2 pin12, 13: PWR Switch***

Power Switch: Toggle this pin for turning on/off of the Power supply (for ATX power only).

### ***SLEEP Switch (J2 pin14, 15)***

Toggle this jumper forces the system to sleep and the system won't wake up until the hardware event is coming. (The BIOS Power Management setting must be Enabled.)



### ***Speaker Connector (J3 pin1-4)***

The speaker connector is a 4-pin connector for connecting the system and the speaker. (See the following drawing for jumper position.)

### ***Reset Switch (J3 pin5, 6)***

The system board has a 2-pin connector for rebooting your computer without having to turn off your power switch. This prolongs the life of the system's power supply.

### ***J8: Wake On Lan (WOL) Connector***

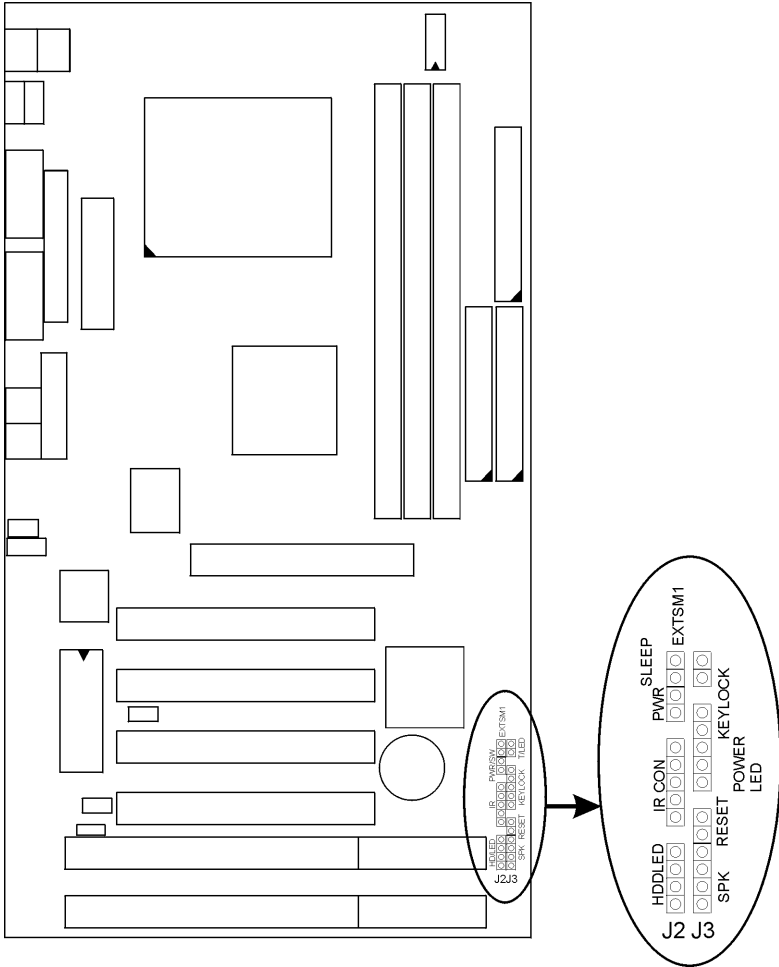
This connector is designed to use Lan to bootup the system. Connect the wake on signal from Lan card to this connector.

### ***Power LED and Keylock Switch (J3 pin8-12)***

The keylock switch is a 5-pin connector for locking the keyboard for security purposes. (See the following drawing for jumper position, and pin1~3 is connected to power LED and pin 4~5 is connected to keylock switch.)

## Turbo LED (J3 pin14, 15)

Connect the case's turbo LED to this connector.



## J2 Switch Signal Summary

J2	Pin	Signal Description
HDD LED Connector	1	+5V
	2	HDD LED Signal
	3	HDD LED Signal
	4	+5V
N.C.	5	No Connection
Infrared Connector	6	Infrared Transmit Signal
	7	GND
	8	Infrared Receive Signal (low speed)
	9	Infrared Receive Signal (high speed)
	10	+5V
N.C.	11	No Connection
PWR	12	CND
	13	Power Switch(for ATX Power)
SLEEP	14	GND
	15	Sleep Signal

## J3 Switch Signal Summary

J3	Pin	Signal Description
Speaker Connector	1	Speaker Signal
	2	No Connection
	3	Ground
	4	+5V
Reset Switch	5	Reset Signal
	6	Ground
N.C.	7	No Connection
Power LED Connector	8	+5V
	9	No Connection
	10	Ground
Keylock Connector	11	Keylock Signal
	12	GND
N.C.	13	No Connection
Turbo LED Connector	14	Turbo LED Connector
	15	Ground

# Chapter 3

## Award BIOS Setup

---

This 82440ZX motherboard comes with the AWARD BIOS from AWARD Software Inc. Enter the Award BIOS program Main Menu by:

1. Turn on or reboot the system.  
After a series of diagnostic checks, the following message will appear:

PRESS <DEL> TO ENTER SETUP

2. Press the <DEL> key and the main program screen will appear as follows.

```
ROM PCI/ISA BIOS
CMOS SETUP UTILITY
AWARD SOFTWARE, INC.
```

STANDARD CMOS SETUP	INTEGRATED PERIPHERALS
BIOS FEATURES SETUP	SUPERVISOR PASSWORD
CHIPSET FEATURES SETUP	USER PASSWORD
POWER MANAGEMENT SETUP	IDE HDD AUTO DETECTION
PNP/PCI CONFIGURATION	HDD LOW LEVEL FORMAT
LOAD SETUP DEFAULTS	SAVE & EXIT SETUP
	EXIT WITHOUT SAVING

Esc : Quit  
F10 : Save & Exit Setup

j  $\uparrow$   $\downarrow$   $\leftarrow$   $\rightarrow$  : Select Item  
(Shift) F2 : Change Color

Time, Date, Hard Disk Type...

3. Using the arrows on your keyboard, select an option, and press <Enter>. Modify the system parameters to reflect the options installed in your system.
4. You may return to the Main Menu anytime by pressing <ESC> .
5. In the Main Menu, “SAVE AND EXIT SETUP” saves your changes and reboots the system, and “EXIT WITHOUT SAVING” ignores your changes and exits the program.

## **Standard CMOS Setup**

Standard CMOS Setup allows you to record some basic system hardware configuration and set the system clock and error handling. You only need to modify the configuration values of this option when you change your system hardware configuration or the configuration stored in the CMOS memory gets lost or damaged.

Run the Standard CMOS Setup as follows:

1. Choose “STANDARD CMOS SETUP” from the Main Menu and a screen with a list of options will appear.

ROM PCI/ISA BIOS STANDARD CMOS SETUP AWARD SOFTWARE, INC.																
Date (mm:dd:yy) : Thu, May 9 1996																
Time (hh:mm:ss) : 15 : 45 : 10																
HARD DISKS	TYPE	SIZE	CYLS	HEAD	PRECOMP	LANDZ	SECTOR	MODE								
Primary Master	: Auto	0	0	0	0	0	0	Auto								
Primary Slave	: Auto	0	0	0	0	0	0	Auto								
Secondary Master	: Auto	0	0	0	0	0	0	Auto								
Secondary Slave	: Auto	0	0	0	0	0	0	Auto								
Drive A: 1.44M, 3.5 in.																
Drive B: None																
Video : EGA/VGA																
Halt On : All Errors																
<table border="1" style="float: right; border-collapse: collapse;"> <tr> <td>Base Memory:</td> <td style="text-align: right;">640K</td> </tr> <tr> <td>Extended Memory:</td> <td style="text-align: right;">15360K</td> </tr> <tr> <td>Other Memory:</td> <td style="text-align: right;">384K</td> </tr> <tr> <td colspan="2" style="border-top: 1px solid black;">Total Memory: 16384K</td> </tr> </table>									Base Memory:	640K	Extended Memory:	15360K	Other Memory:	384K	Total Memory: 16384K	
Base Memory:	640K															
Extended Memory:	15360K															
Other Memory:	384K															
Total Memory: 16384K																
Esc : Quit                    ↑ ↓ → ← ⌂ Select Item                    PU/PD/+/- : Modify																
F1 : Help                    (Shift) F2 : Change Color																

2. Use one of the arrow keys to move between options and modify the selected options by using PgUp/PgDn/+/↓ keys.

A short description of the screen options is as follows:

**Date (mm:dd:yy)** Set the current date and time.  
**Time (hh:mm:ss)**

**Primary  
(Secondary)  
Master/Slave** This field records the specifications for all non-SCSI hard disk drives installed in your system. Refer to the respective documentation on how to install the drives.

**Drive A/B** Set this field to the type(s) of floppy disk drive(s) installed in your system. The choices are:  
360KB, 5.25 in.,  
1.2MB, 5.25 in.,  
720KB, 3.5 in.,  
1.44M, 3.5 in. (default),  
2.88MB, 3.5 in., or None

**Video** Set this field to the type of video display card installed in the system. The choices are: Monochrome; Color 40x25; VGA/EGA (default); or Color 80x25

**Halt On** Set this warning feature for the type of errors that will cause the system to halt. The choices are: All Errors (default); No Errors; All, But Keyboard; All, But Diskette; or All, But Disk/Key

3. Press <ESC> to return to the Main Menu when you finish setting up the “Standard CMOS Setup”

## BIOS Features Setup

BIOS Features Setup allows you to improve your system performance or set up system features according to your preference.

Run the BIOS Features Setup as follows:

1. Choose “BIOS FEATURES SETUP” from the Main Menu and a screen with a list of options will appear.

ROM PCI/ISA BIOS BIOS FEATURES SETUP AWARD SOFTWARE, INC.			
Virus Warning	: Disabled	Video BIOS Shadow	: Enabled
CPU Internal Cache	: Enabled	C8000-CBFFF Shadow	: Disabled
External Cache	: Enabled	CC000-CFFFF Shadow	: Disabled
CPU L2 Cache ECC Checking	: Enabled	D0000-D3FFF Shadow	: Disabled
Quick Power on Self Test	: Enabled	D4000-D7FFF Shadow	: Disabled
Boot Sequence	: A,C,SCSI	D8000-DBFFF Shadow	: Disabled
Swap Floppy Drive	: Disabled	DC000-DFFFF Shadow	: Disabled
Boot Up Floppy Seek	: Enabled		
Boot Up NumLock Status	: On		
Gate A20 Option	: Fast		
Typematic Rate Setting	: Disabled		
Typematic Rate (Chars/Sec)	: 6	ESC :Quit	↓ ↑ ← → Select Item
Typematic Delay (Msec)	: 250	F1 :Help	PU/PD/+/- : Modify
Security Option	: Setup	F5 :Old Values(Shift)	F2 : Color
PCI/VGA Palette Snoop	: Disabled	F6 :Load BIOS Defaults	
Assign IRQ For VGA	: Enabled	F7 :Load Setup Defaults	
OS Select for DRAMs>64MB	: Non-OS/2		
Report No FDD For WIN 95	: No		

2. Use one of the arrow keys to move between options and modify the selected options by using PgUp/PgDn/+/- keys. An explanation of the <F> keys follows:

<F1>: “Help” gives options available for each item.

Shift <F2>: Change color.

<F5>: Get the previous values. These values are the values with which the user started in the current session.

<F6>: Load all options with the BIOS default values.

<F7>: Load all options with the Setup default values.

A short description of screen options follows:

- Virus Warning**      Enabled: Activates automatically when the system boots up causing a warning message to appear if there is anything attempting to access the boot sector or hard disk partition table.  
Disabled: No warning message will appear when there is something attempting to access the boot sector or hard disk partition table
- Note: Many diagnostic (or boot manager) programs which attempt to access the boot sector table can cause the above warning message. If you will be running such a program, we recommend that you disable the virus protection first.*
- CPU Internal Cache**      Choose Enabled (default) or Disabled. This option allows you to enable or disable the CPU's internal cache.
- External Cache**      Choose Enabled (default) or Disabled. This option allows you to enable or disable the external cache memory.
- Quick Power On Self Test**      Choose Enabled (default) or Disabled. This option allows you to speed up the Power-On Self-Test routine.



<b>Boot Sequence</b>	Default is “A, C, SCSI” This option determines which drive to look at first for an operating system.
<b>Swap Floppy Drive</b>	Choose Enabled or Disabled (default). This option swaps floppy drive assignments when it is enabled.
<b>Boot Up Floppy Seek</b>	Enabled (default): During POST, BIOS checks the track number of the floppy disk drive to see whether it is 40 or 80 tracks. Disabled: During POST, BIOS will not check the track number of the floppy disk drive.
<b>Boot Up NumLock Status</b>	Choose On (default) or Off. This option lets user activate the NumLock function at boot-up.
<b>Gate A20 Option</b>	Choose Normal or Fast (default). This option allows the RAM to access the memory above 1MB by using the fast gate A20 line.
<b>Typematic Rate Setting</b>	Choose Enabled or Disabled (default). Enable this option to adjust the keystroke repeat rate.
<b>Typematic Rate (Chars/Sec)</b>	Range between 6 (default) and 30 characters per second. This option controls the speed of repeating keystrokes.
<b>Typematic Delay (Msec)</b>	Choose 250 (default), 500, 750, and 1000. This option sets the time interval for displaying the first and the second characters.

<b>Security Option</b>	Choose System or Setup (default). This option prevents unauthorized system boot-up or use of BIOS Setup.
<b>PCI/VGA palette Snoop</b>	Choose Enabled or Disabled (default). It determines whether or not the MPEG ISA cards can work with PCI/VGA.
<b>Assign IRQ for VGA</b>	Choose Enabled (default) or Disabled. Enabled: Add one IRQ to VGA controller. Disabled: Remove IRQ from VGA controller. The system will have extra IRQ for other devices but the VGA controller will still not be disabled (only IRQ will be removed.)
<b>OS Select for DRAM &gt; 64MB</b>	Non-OS2 (default): For Non-OS/2 system. OS: For OS/2 system.
<b>Report No FDD For WIN95</b>	Yes: BIOS reports “NO FDD” to Win95. No (default): BIOS will not report “NO FDD” to Win95.
<b>Video BIOS Shadow</b>	Enabled (default): Map the VGA BIOS to system RAM. Disabled: Will not map the VGA BIOS to system RAM.
<b>C8000-CBFFF to DC000-DFFF Shadow</b>	These options are used to shadow other expansion card ROMs.

3. Press <ESC> and follow the screen instructions to save or disregard your settings.

## Chipset Features Setup

Chipset Features Setup changes the values of the chipset registers. These registers control the system options. Run the Chipset Features Setup as follows:

1. Choose “CHIPSET FEATURES SETUP” from the Main Menu and a screen with a list of options will appear.

ROM PCI/ISA BIOS CHIPSET FEATURES SETUP AWARD SOFTWARE, INC.		
Auto Configuration	: Enabled	CPU Host Clock(CPU/PCI):Default
EDO DRAM Speed Selection	: 60ns	CPU Clock Ratio :4.5X
EDO CAS# MA Wait State	: 2	CPU Warning Temperature:Disabled
EDO RAS# To CAS# Delay	: 2	Current System Temp :
SDRAM CAS latency Time	: 3	Current CPU1 Temperature:
DRAM Data Integrity Mode	: Non-ECC	Current CUFAN1 Speed :
System BIOS Cacheable	: Disabled	Current CUFAN2 Speed :
Video BIOS Cacheable	: Disabled	Current CUFAN3 Speed :
Video RAM Cacheable	: Disabled	IN0 (V) : IN1(V):
8 Bit I/O Recovery Time	: 1	IN2 (V) : +5 V :
16 Bit I/O Recovery Time	: 1	+12 V : -12 V :
Memory hole At 15M-16M	: Disabled	-5 V :
Passive Release	: Enabled	ESC: Quit ↑ ↓ → ←: Select Item
Delay Transaction	: Disabled	F1 : Help PU/PD/+/-: Modify
AGP Aperture Size (MB)	: 64	F5 : Old Values (Shift)F2 : Color
		F6 : Load BIOS Defaults
		F7 : Load Setup Defaults

2. Use one of the arrow keys to move between options and modify the selected options by using PgUp/PgDn/+/- keys.

A short description of screen options follows:

**Auto Configuration** Choose Enabled (default) or Disabled. The system sets all options on the left side of the screen automatically when you choose Enabled.

**EDO DRAM Speed Selection** Choose 50ns or 60ns (default). Do not change this setting unless you know the DRAM access time spec.

<b>EDO CASX# MA Wait State</b>	You could select the timing control type of EDO DRAM CAS MA (memory address bus). The choices are: 1, 2.
<b>CPU Host Clock (CPU/PCI)</b>	Choose 66/33,75/37,83/41MHz, or 133/33,140/35,112/37,115/38,120/40 140/35MHz,124/41,133/44MHz.
<b>CPU Clock Ratio</b>	Choose 2.0X, 2.5X, 3.0X, 3.5X, 4.5X, 4.0X,5.0X, 5.5X, 6.0X, 6.5X, 7.0X, 7.5X, or 8.0X.
<b>EDO RASX# Wait State</b>	You could select the timing control type of EDO DRAM RAS MA (memory address bus). The choice: 1, 2.
<b>SDRAM CAS Latency Time</b>	You can select CAS latency time in HCLKs of 2/2 or 3/3. The system board designer should have set the values in this field, depending on the DRAM installed. Do not change the values in this field unless you change specifications of the installed DRAM or the installed CPU..
<b>DRAM Data</b>	Choose Non-ECC (default) or ECC
<b>Integrity Mode</b>	Depends on the DRAM type. ECC stands for Error Check and Correct. Non-ECC: Disabled ECC check function. ECC: Enabled ECC check function.
<b>System BIOS Cacheable</b>	Choose Enabled or Disabled (default). When Enabled, the access to the system BIOS ROM addressed at F0000H-FFFFFFH is cached.

<b>Video BIOS Cacheable</b>	Choose Enabled or Disabled (default). When Enabled, the access to the VGA BIOS ROM addressed at C0000H-C7FFFH is cached.
<b>Video RAM Cacheable</b>	Choose Enabled or Disabled (default). When Enabled, the access to the VGA RAM addressed is cached.
<b>8 Bit I/O Recovery Time</b>	This delay happens when the CPU is running so much faster than the I/O bus that the CPU must be delayed to allow for the completion of the I/O.
<b>16 Bit I/O Recovery Time</b>	The choices for 8 bit I/O are NA, 1 to 8 CPU clock. Default is 3. The choices for 16 bit I/O are NA, 1 to 4 CPU clock. Default is 2.
<b>Memory Hole At 15M-16M</b>	Choose Enabled or Disabled (default). In order to improve performance, certain space in memory can be reserved for ISA cards. This memory must be mapped into the memory's space below 16MB.
<b>Passive Release</b>	When Enabled, CPU to PCI bus accesses are allowed during passive release. Otherwise, the arbiter only accepts another PCI master access to local DRAM. The Choice: Enabled, Disabled.
<b>Delayed Transaction</b>	The chipset has an embedded 32-bit posted write buffer to support delay transactions cycles. Select Enabled to support compliance with PCI specification version 2.1. The Choice: Enabled, Disabled.

**AGP Aperture Size (MB)** Choose 4 , 8, 16, 32, 64 (default), 128, or 256 MB. Memory mapped and graphics data structures can reside in a Graphics Aperture. This area is like a linear buffer. BIOS will automatically report the starting address of this buffer to the O.S.

3. Press <ESC> and follow the screen instructions to save or disregard your settings.

## Power Management Setup

Power Management Setup sets the system's power saving functions.

1. Choose "POWER MANAGEMENT SETUP" from the Main Menu and a screen with a list of options will appear.

ROM PCI/ISA BIOS  
POWER MANAGEMENT SETUP  
AWARD SOFTWARE, INC.

ACPI Function	: Enabled	** Reload Global Timer Events **
Power Management	: User Define	IRQ[3-7,9-15], NMI : Enabled
PM Control by APM	: No	Primary IDE 0 : Enabled
Video Off Method	: V/H	Primary IDE 1 : Enabled
SYNC+Blank		Secondary IDE 0 : Enabled
Video Off After	: Standby	Secondary IDE 1 : Enabled
Modem Use IRQ	: 3	Floppy Disk : Enabled
Doze Mode	: Disabled	Serial Port : Enabled
Standby Mode	: Disabled	Parallel Port : Enabled
Suspend Mode	: Disabled	
HDD Power Down	: Disabled	
Throttle Duty Cycle	: 62.5%	
PCI/VGA Act Monitor	: Enabled	
Soft-Off by PWR-BTTN	: Instant-Off	ESC : Quit   @   ↓   →   ← : Select Item
Poweron by Ring	: Disabled	F1 : Help PU/PD/+/- : Modify
Resume by Alarm	: Disabled	F5 : Old Values (Shift)F2 : Color
Wake Up On LAN	: Disabled	F6 : Load BIOS Defaults
IRQ 8 Break Suspend	: Disabled	F7 : Load Setup Defaults

2. Use one of the arrow keys to move between options and modify the selected options by using PgUp/PgDn/+/- keys.

A short description of screen options follows:

**Power Management** Choose Max. Saving, User Define (default), Disabled, or Min. Saving.

**PM Control by APM** Choose Yes or No (default). You need to choose Yes when the operating system has the APM functions, otherwise choose No.

<b>Video Off Method</b>	Choose Blank , DPMS, or V/H Sync+Blank (default). You can choose either DPMS or V/H Sync+Blank when the monitor has the Green function. You need to choose Blank when the monitor has neither the Green function.
<b>Video Off After</b>	Choose NA, Suspend, Standby (default), or Doze.
<b>MODEM Use IRQ</b>	Assign the IRQ number to the modem which is being used so that the ring signal can wakeup the system. The default setting is 3 (COM2).
<b>Doze Mode</b>	This mode sets the CPU speed down to 33MHz.
<b>Standby Mode Suspend Mode</b>	These two options allow you to choose the mode for the different timers. The Standby Mode turns off the VGA monitor, and the Suspend Mode turns off the CPU and saves the energy of the system.
<b>HDD Power Down</b>	Time is adjustable from 1 to 15 minutes. When the set time has elapsed, the BIOS sends a command to the HDD to power down, which turns off the motor.
<b>Throttle Duty Cycle</b>	Choose the duty cycle time: 12.5%, 25%, 37.5%, 50%, 62.5% (default), 75%,. The bigger the percentage, the more power saving.



**PCI/VGA  
Act-Monitor**

Enabled: the system can not enter the power saving mode when monitor is on.

Disabled: the system can enter the power saving mode when monitor is on.

**Soft-Off by PWR-  
BTTN**

Instant-off: (default) turns off the system power at once after pushing the power button.

Delay 4 Sec: turns off the system power 4 seconds after pushing the power button (to meet PC97/98 spec.)

**Modem Ring  
Resume**

An input signal on the serial Ring Indicator (RI) Line (in other words, An incoming call on the modem) Awakens the system from a soft off state

**Wake On LAN**

Enabled: Wake up the system from the LAN card (LAN Card must support Wake Up On LAN function And the power supply must provide at least 5V/750Ma standby current)

**IRQ8 Break  
Suspend**

You can Enable or Disable monitoring of IRQ8 so it does not awaken the system from Suspend mode.

The Choice: Enabled, Disabled.

<b>IRQ (#), NMI;</b>	Enabled: (default) The system can not enter the power saving mode when I/O ports or IRQ # is activated
<b>Primary IDE 0</b>	
<b>Primary IDE 1;</b>	
<b>Secondary IDE 0</b>	
<b>Secondary IDE 1;</b>	Disabled: The system still can enter the power saving mode when I/O ports or IRQ# is activated.
<b>Floppy Disk;</b>	
<b>Serial Port;</b>	
<b>Parallel Port</b>	

*Note: These functions can only be activated when the power management option is Enabled*

3. Press <ESC> and follow the screen instructions to save or disregard your settings.

## PnP/PCI Configuration Setup

PnP/PCI Configuration Setup configures the PCI bus slots.

Run the Chipset Features Setup as follows:

1. Choose “PnP/PCI CONFIGURATION SETUP” from the Main Menu and a screen with a list of options will appear.

ROM PCI/ISA BIOS  
 PNP/PCI CONFIGURATION  
 AWARD SOFTWARE, INC.

PNP OS Installed	: No	Used MEM base address	: N/A
Resources Controlled By	: Manual	Used MEM Length*	: 8K
Reset Configuration Data	: Disabled	Assign IRQ For USB	: Enabled
IRQ-3 assigned to	: PCI/ISA PnP		
IRQ-4 assigned to	: PCI/ISA PnP		
IRQ-5 assigned to	: PCI/ISA PnP		
IRQ-7 assigned to	: PCI/ISA PnP		
IRQ-9 assigned to	: PCI/ISA PnP		
IRQ-10 assigned to	: PCI/ISA PnP		
IRQ-11 assigned to	: PCI/ISA PnP		
IRQ-12 assigned to	: PCI/ISA PnP		
IRQ-14 assigned to	: PCI/ISA PnP		
IRQ-15 assigned to	: PCI/ISA PnP		
DMA-0 assigned to	: PCI/ISA PnP		
DMA-1 assigned to	: PCI/ISA PnP	ESC : Quit	i ⬅ ➡ ⬆ ⬇ Select Item
DMA-3 assigned to	: PCI/ISA PnP	F1 : Help	PU/PD/+/- : Modify
DMA-5 assigned to	: PCI/ISA PnP	F5 : Old Values (Shift)	F2 : Color
DMA-6 assigned to	: PCI/ISA PnP	F6 : Load BIOS Defaults	
DMA-7 assigned to	: PCI/ISA PnP	F7 : Load Setup Defaults	

2. Use one of the arrow keys to move between options and modify the selected options by using PgUp/PgDn/+/- keys.

A short description of screen options follows:

PNP OS Installed    Yes: OS supports Plug and Play function.  
 No (default): OS doesn't support Plug and Play function.

**Note: BIOS will automatically disable all PnP resources except the boot device card when you select Yes on Non-PnP OS..**

**Resources Controlled By** Choose Manual (default) or Auto. The BIOS checks the IRQ/DMA channel number on the ISA and PCI card manually if you choose Manual and the IRQ/DMA channel number will be checked automatically if you choose Auto.

**Reset Configuration Data** Choose Enabled or Disabled (default). Disabled retains PnP configuration data in BIOS and Enabled resets the PnP configuration data in the BIOS.

**IRQ-x assigned to DMA-x assigned to** Legacy ISA: Manually assigns IRQ/DMA to device.

PCI/ISA PnP: BIOS assigns IRQ/DMA to device automatically.

**Used MEM Base Address** Choose N/A (default) or ISA legacy card to have the memory start at the address.

**Used MEM Length\*** Choose 8K, 16K, 32K, or 64K.

With the above two functions, users can define where the used memory address is located and its corresponding length of the legacy area. BIOS will skip the UMB area which is used by the legacy device to avoid memory space conflict.

\* This function is active only when the "Used MEM Base Addr" is chosen.

### **Assign IRQ for USB**

Choose Enabled (default) or Disabled.

Enabled: Add one IRQ to USB controller.

Disabled: Remove IRQ from USB controller. The system will have extra IRQ for other devices but the USB controller will still not be disabled (only IRQ was removed.)

3. Press <ESC> and follow the screen instructions to save or disregard your settings.

### ***Load Setup Defaults***

---

Load Setup Defaults option loads the default system values to the system configuration fields. If the CMOS is corrupted the defaults are loaded automatically. Choose this option and the following message will appear:

```
"Load Setup Defaults (Y/N)? N"
```

To use the Setup defaults, change the prompt to "Y" and press <Enter>.

3. Press <ESC> and follow the screen instructions to save or disregard your settings.

## Integrated Peripherals

Integrated Peripherals option changes the values of the chipset registers. These registers control system options in the computer.

1. Choose “INTEGRATED PERIPHERALS” from the Main Menu and a screen with a list of options will appear.

ROM PCI/ISA BIOS INTEGRATED PERIPHERALS AWARD SOFTWARE, INC.	
IDE HDD Block Mode : Enabled	UART Mode Select : IrDA
IDE Primary Master PIO : Auto	RxD, TxD Active : Lo, Lo
IDE Primary Slave PIO : Auto	IR Transmission Delay : Disabled
IDE Secondary Master PIO : Auto	Onboard Parallel Port : 378/IRQ7
IDE Secondary Slave PIO : Auto	Parallel Port Mode : ECP+EPP
IDE Primary Master UDMA : Auto	ECP Mode Use DMA : 3
IDE Primary Slave UDMA : Auto	EPP Mode Select : EPP1.7
IDE Secondary Master UDMA : Auto	
IDE Secondary Slave UDMA : Auto	
On-Chip Primary PCI IDE : Enabled	
On-Chip Secondary PCI IDE : Enabled	
USB Keyboard Support : Disabled	
KBC Input Clock : 8 MHz	
Onboard FDC Controller : Enabled	
Onboard Serial Port 1 : Auto	
Onboard Serial Port 2 : Auto	
	ESC : Quit i     Select Item
	F1 : Help PU/PD/+/- : Modify
	F5 : Old Values (Shift)F2: Color
	F6 : Load BIOS Defaults
	F7 : Load Setup Defaults

2. Use one of the arrow keys to move between options and modify the selected options by using PgUp/PgDn/+/- keys.

A short description of screen options is as follows:

### IDE HDD Block Mode

Choose Enabled (default) or Disabled. If your hard disk size is larger than 540MB, choose Enabled, and, if you are using the IDE HDD Auto Detection option, the BIOS will choose this option automatically.

**Note:** *Some older model HDDs don't provide this feature.*

<b>IDE Primary Master/Slave PIO IDE Secondary Master/Slave PIO</b>	Choose Auto (default) or Mode 0~4. The BIOS will detect the HDD Mode type automatically when you choose Auto. You need to set to a lower mode than Auto when your hard disk becomes unstable.
<b>On-Chip Primary/Secondary PCI IDE</b>	Enabled: (default) Turn on the onboard IDE function. Disabled: Turn off the onboard IDE function.
<b>USB Keyboard Support</b>	Enabled: Enables function when the USB keyboard is being used. Disabled: (default) When the AT keyboard is being used.
<b>KBC Input Clock</b>	Choose 6MHz, 8MHz (default), 12MHz, or 16MHz. There may be a compatibility problem when it is set above 8MHz.
<b>Onboard FDC Controller</b>	Choose Enabled (default) or Disabled. Choose Disabled when you use an ISA card with FDD function, or , choose Enabled to use the onboard FDD connector.
<b>Onboard Serial Port 1</b>	Choose Auto (default), 3F8/IRQ4, 2F8/IRQ3, 3E8/IRQ4, 2E8/IRQ3, or Disabled. Do not set port 1 & 2 to the same value, except when setting at Disabled.
<b>Onboard Serial Port 2</b>	Choose Auto (default), 3F8/IRQ4 , 2F8/IRQ3, 3E8/IRQ4, 2E8/IRQ3, or Disabled.

- UART Mode select** Choose Normal (default), IrDA, or ASKIR.
- IR Transmission Delay** Enabled: Enabled delay when transferring data.  
Disabled (default) Disabled delay when transferring data.
- Onboard Parallel Port** Choose the printer I/O address:  
378H/IRQ7 (default), 3BCH/IRQ7,  
278H/IRQ5
- Parallel Port Mode** Choose SPP (default), ECP + EPP EPP, or ECP mode. The mode depends on the external device connected to this port.
- ECP Mode Use DMA** Choose DMA3 (default) or DMA1. Most sound cards use DMA1. Check with your sound card configuration to make sure that there is no conflict with this function.  
*\*: This option will not be displayed unless the EPP/ECP function is selected..*
- EPP Mode Select** Choose EPP1.7 (default) or EPP1.9. EPP1.9 supports hardware handshake. This setting is dependent upon your EPP device.  
*Note: The above 2 options will not be displayed unless the EPP/ECP function is selected.*

3. Press <ESC> and follow the screen instructions to save or disregard your settings.



## ***Supervisor/User Password***

---

These two options allow you to set your system passwords. Normally, the supervisor has a higher ability to change the CMOS setup option than the user. The way to set up the passwords for both Supervisor and User are as follows:

1. Choose "Change Password" in the Main Menu and press <Enter>. The following message appears:

"Enter Password:"

2. The first time you run this option, enter your password up to 8 characters and press <Enter>. The screen does not display the entered characters.

3. After you enter the password, the following message appears prompting you to confirm the password:

"Confirm Password:"

4. Enter the same password "exactly" as you just typed again to confirm the password and press <Enter>.

5. Move the cursor to Save & Exit Setup to save the password.

6. If you need to delete the password you entered before, choose the Supervisor Password and press <Enter>. It will delete the password that you had before.

7. Move the cursor to Save & Exit Setup to save the option you did, otherwise the old password will still be there the next time you turn your machine on.

8. Press <ESC> to exit to the Main Menu.

***Note: If you forget or lose the password, the only way to access the system is to clear the CMOS RAM by setting JBATI. All setup information will be lost and you need to run the BIOS setup program again.***

## ***IDE HDD Auto Detection***

---

IDE HDD Auto Detection detects the parameters of an IDE hard disk drive and automatically enters them to the Standard CMOS Setup screen.

The screen will ask you to select a specific hard disk for Primary Master after you select this option. If you accept a hard disk detected by the BIOS, you can enter “Y” to confirm and then press <Enter> to check next hard disk. This function allows you to check four hard disks and you may press the <ESC> after the <Enter> to skip this function and go back to the Main Menu.

## ***Save & Exit Setup***

---

Save & Exit Setup allows you to save all modifications you have specified into the CMOS memory. Highlight this option on the Main Menu and the following message appears:

SAVE to CMOS and EXIT (Y/N)? Y

Press <Enter> key to save the configuration changes.

## ***Exit Without Saving***

---

Exit Without Saving allows you to exit the Setup utility without saving the modifications that you have specified. Highlight this option on the Main Menu and the following message appears:

Quit Without Saving (Y/N)? N

You may change the prompt to “Y” and press the <Enter> key to leave this option.