

6VXE

USER'S MANUAL

1. **System power on by PS/2 Mouse:** First, enable this function in CMOS Setup, then you can power on the system by double clicking the right or left button of your PS/2 Mouse.
2. **System power on by Keyboard:** If your ATX power supply supports larger than 300 mA 5V Stand-By current (depends on the specification of keyboards), you can power on your system by entering password from the keyboard after setting the "Keyboard power on" password in CMOS Setup.
3. **Supports 3 steps ACPI LED.**
4. **Modem Ring-On. (COM A , B).**
5. **Wake-Up on LAN. (The ATX power supply supports larger than 720 mA 5V Stand-By current)**

**For Intel Pentium® II / III / Celeron™ Processor MAINBOARD
REV. 4.0 First Edition**

R-40-01-090812

The author assumes no responsibility for any errors or omissions which may appear in this document nor does it make a commitment to update the information contained herein.

Third-party brands and names are the property of their respective owners.

Sound Blaster is a registered trademark of Creative Technology Ltd in the United States and certain other countries. Sound Blaster-LINK and SB-LINK are trademarks of Creative Technology Ltd.

August 12, 1999 Taipei, Taiwan

I. Quick Installation Guide :**CPU SPEED SETUP**

The system bus speed is selectable between 66 / 100 / 133MHz. The user can select the system bus speed (**SW1**) and change the DIP SWITCH (**SW2**) selection to set up the CPU speed for 233 - 650MHz processor.

Set System Bus Speed**SW1:**

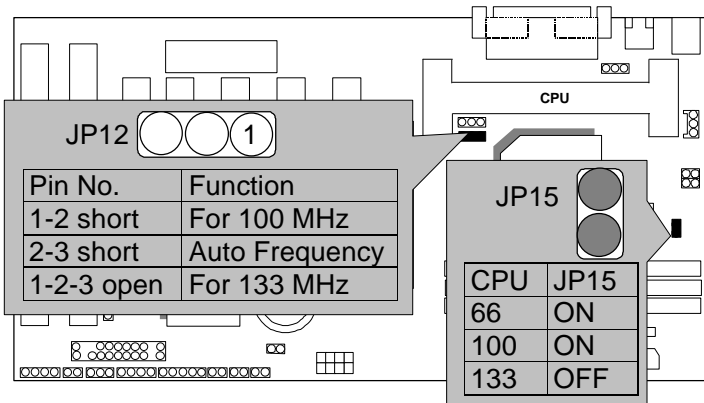
CPU	JP15	1	2	3	4
66	ON	ON	OFF	OFF	ON
75	ON	ON	ON	OFF	ON
83	ON	ON	OFF	ON	ON
100	ON	OFF	OFF	OFF	OFF
112	ON	OFF	ON	OFF	OFF
124	OFF	OFF	OFF	ON	OFF
133	OFF	OFF	OFF	OFF	OFF
140	OFF	OFF	ON	ON	OFF
150	OFF	OFF	ON	OFF	OFF

The CPU speed **MUST** match with the frequency **RATIO**. It will cause system hanging up if the frequency **RATIO** is higher than that of CPU.

SW2:

FREQ. RATIO	DIP SWITCH			
	1	2	3	4
X 3	ON	OFF	ON	ON
X 3.5	OFF	OFF	ON	ON
X 4	ON	ON	OFF	ON
X 4.5	OFF	ON	OFF	ON
X 5	ON	OFF	OFF	ON
X 5.5	OFF	OFF	OFF	ON
X 6	ON	ON	ON	OFF
X 6.5	OFF	ON	ON	OFF
X 7	ON	OFF	ON	OFF
X 7.5	OFF	OFF	ON	OFF
X 8	ON	ON	OFF	OFF
X 8.5	OFF	ON	OFF	OFF
X 9	ON	OFF	OFF	OFF
X 9.5	OFF	OFF	OFF	OFF

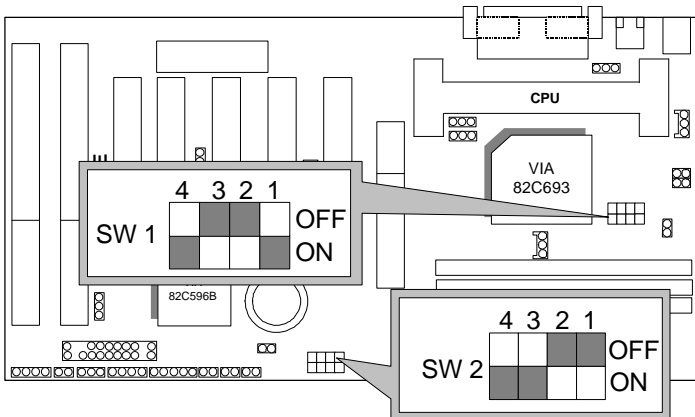
☛ For 133MHz Jumper Setting:



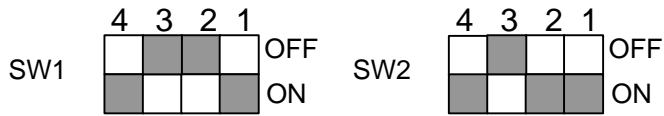
★ **Note:** We don't recommend you to set up your system speed to 75, 83, 112, 124, 140, 150 MHz because these frequencies are not the standard specifications for CPU, Chipset and most of the peripherals. Whether your system can run under 75, 83, 112, 124, 140, 150 MHz properly will depend on your hardware configurations: CPU, SDRAM, Cards, etc.

☛ The black part in the picture is the white extruding piece of the DIP switch.

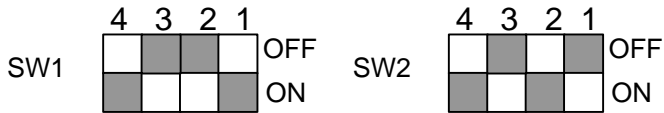
1. Pentium® II /Celeron 233 / 66 MHz FSB



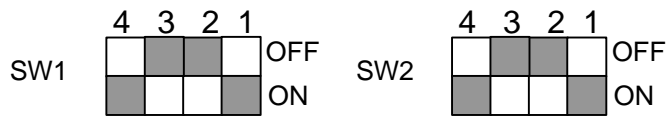
2. Pentium® II /Celeron 266 / 66 MHz FSB



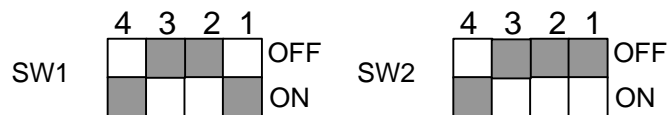
3. Pentium® II /Celeron 300/Celeron 300A / 66 MHz FSB



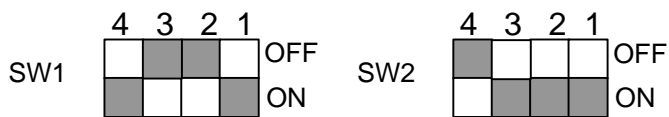
4. Pentium® II /Celeron 333 / 66 MHz FSB



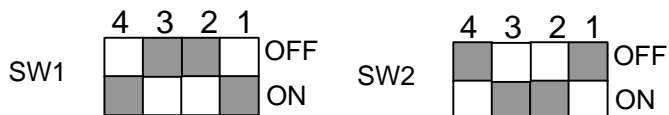
5. Pentium® II /Celeron 366 / 66MHz FSB



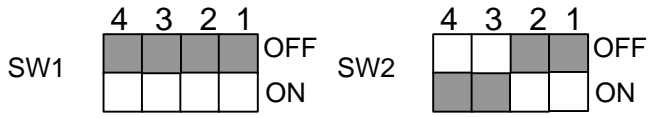
6. Pentium® II /Celeron 400 / 66MHz FSB



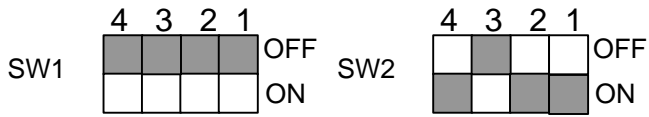
7. Pentium® II /Celeron 433 / 66MHz FSB



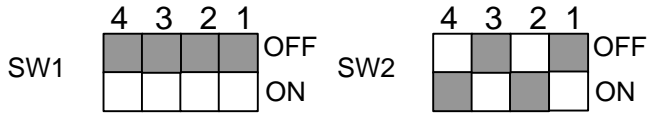
8. Pentium® II 350 / 100 MHz FSB



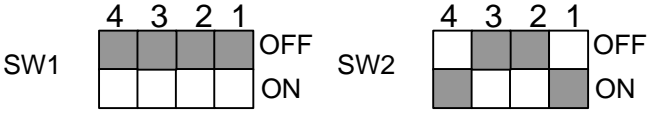
9. Pentium® II 400 / 100 MHz FSB



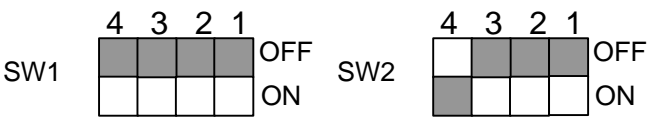
10. Pentium® III 450 / 100 MHz FSB



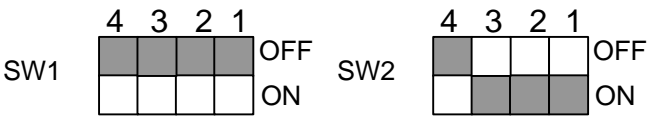
11. Pentium® III 500 / 100 MHz FSB



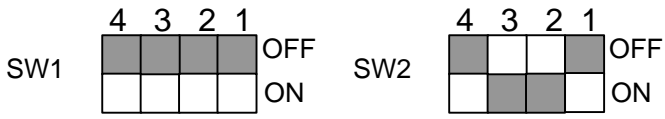
12. Pentium® III 550 / 100 MHz FSB



13. Pentium® III 600 / 100 MHz FSB

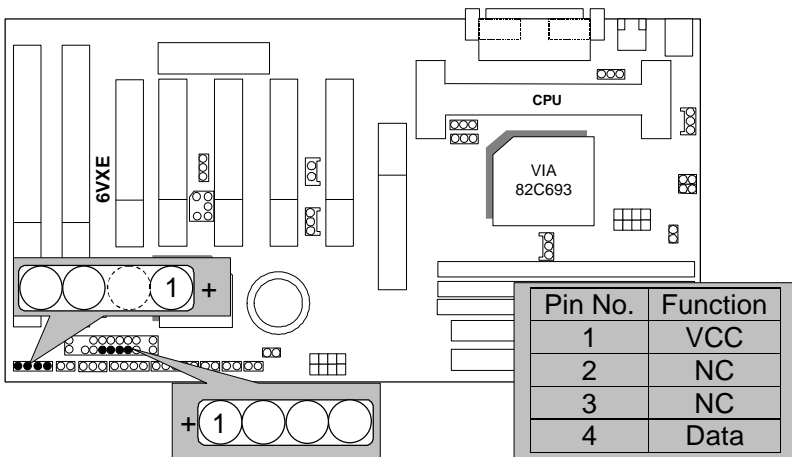


14. Pentium® III 650 / 100 MHz FSB

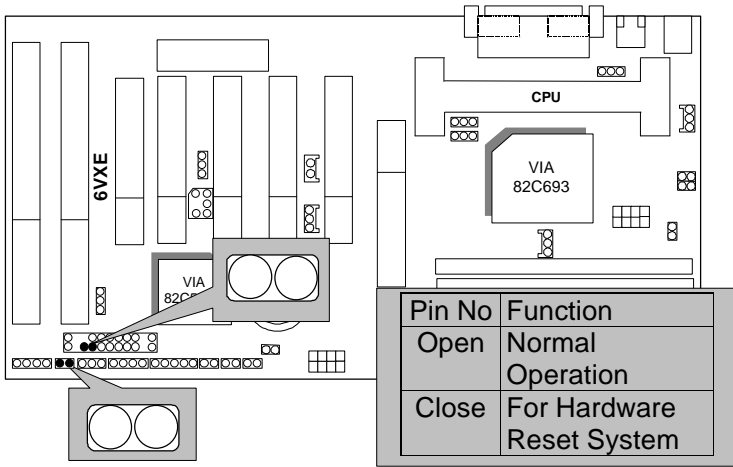


II. Jumper setting :

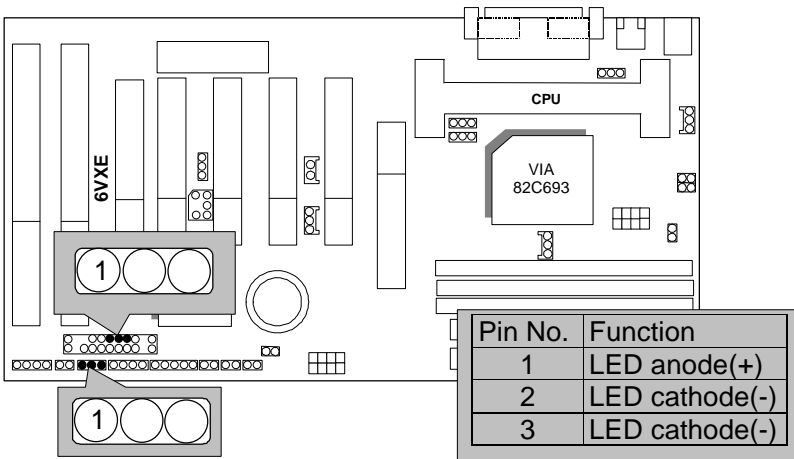
SPK : Speaker Connector



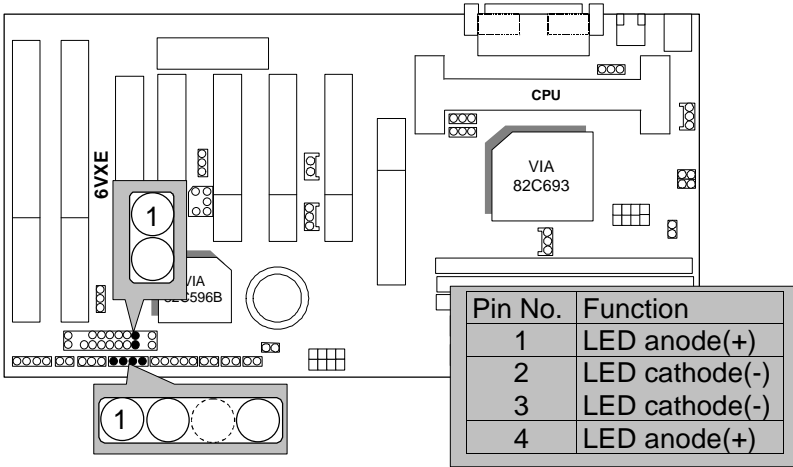
RST : Reset Switch



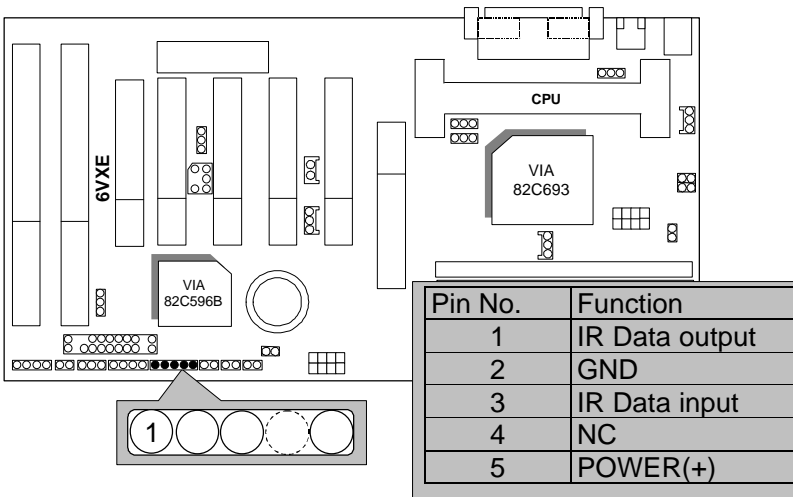
PW LED : Power LED Connector (As 3 steps ACPI LED)



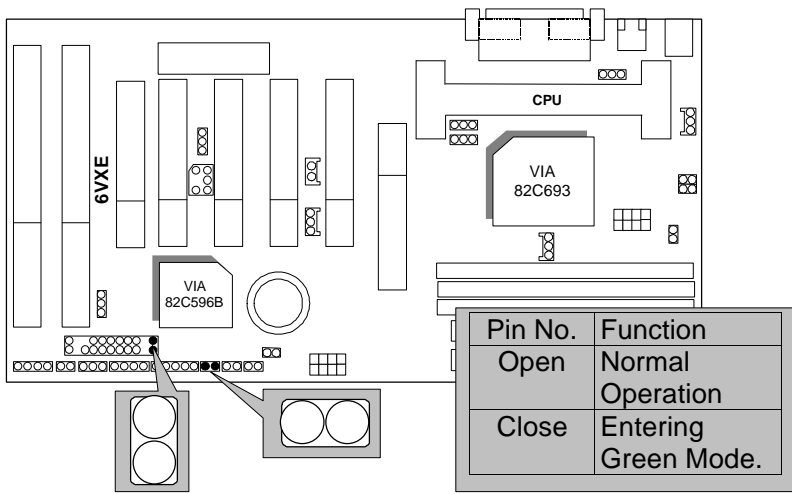
HD : IDE Hard Disk Active LED



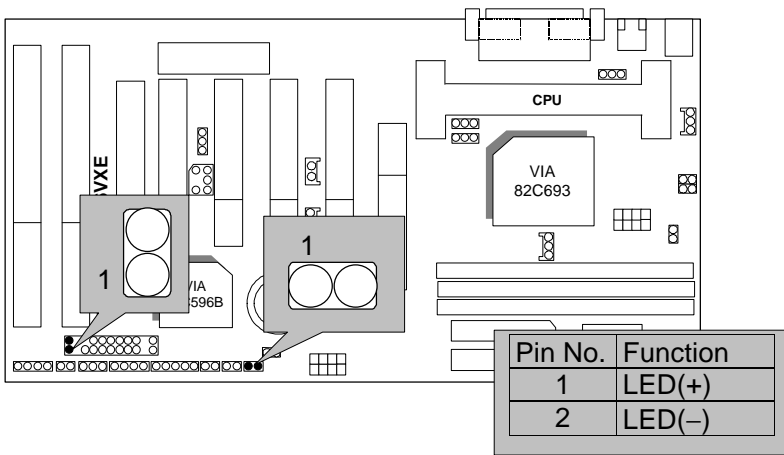
IR : Infrared Connector (Optional)



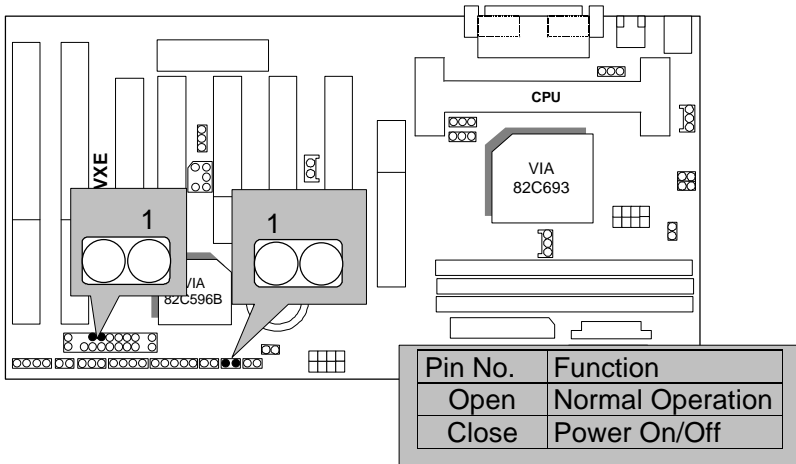
GN : Green Function Switch



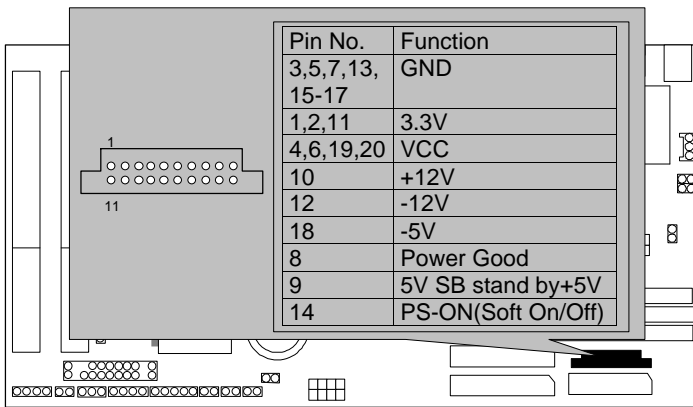
GD : Green LED



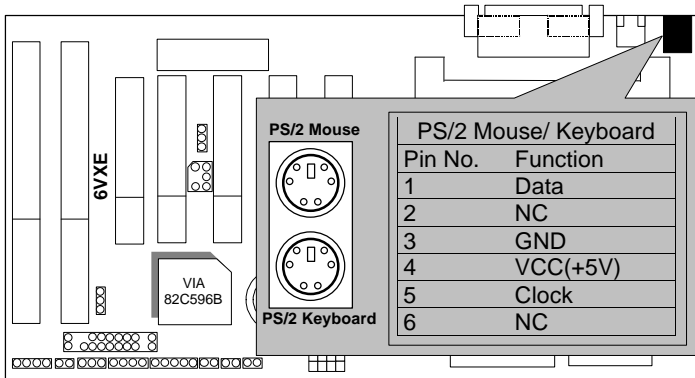
Soft POWER : Soft Power Connector



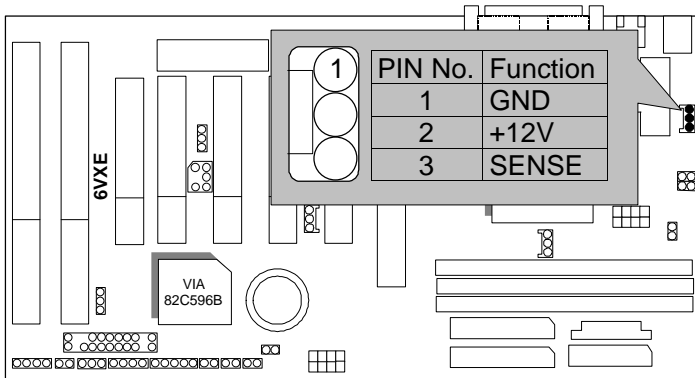
POWER1 : Power Connector



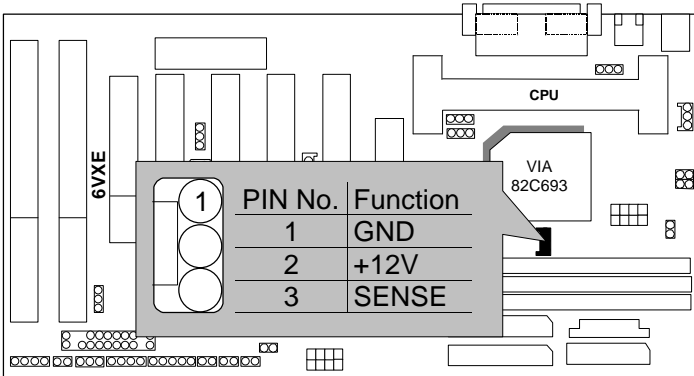
PS/2 Mouse / Keyboard Connector



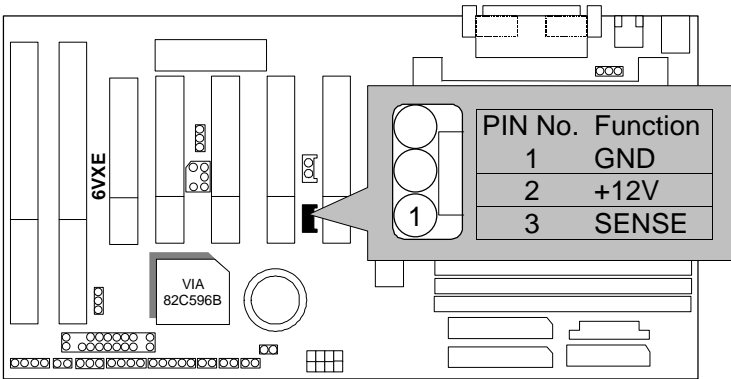
CPU FAN : CPU Cooling Fan Power Connector



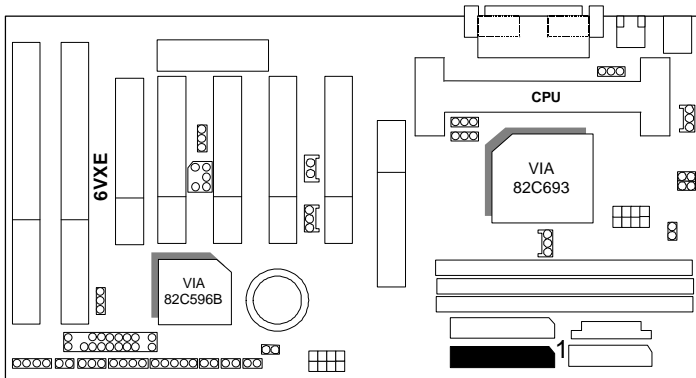
Power FAN : Power Fan Power Connector



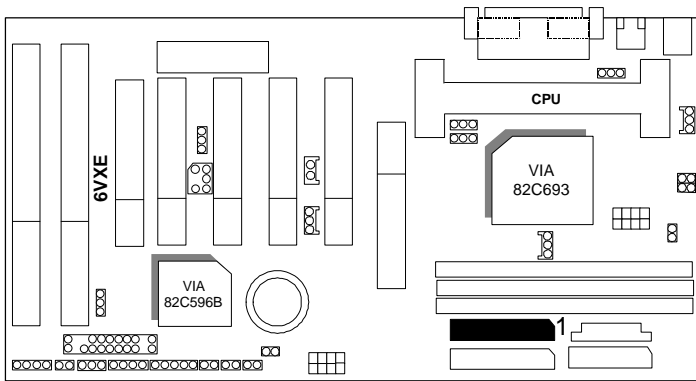
System FAN : System Fan Power Connector



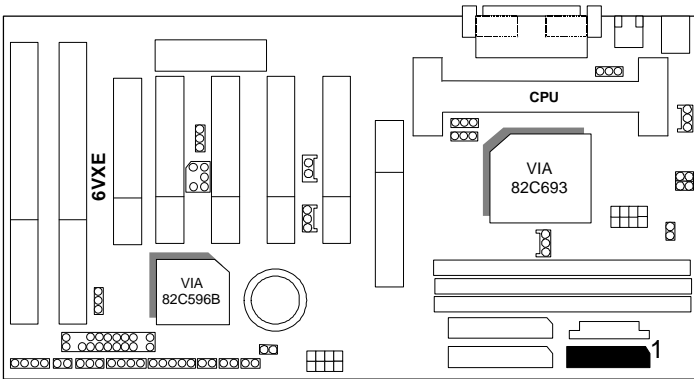
IDE1: For Primary IDE port



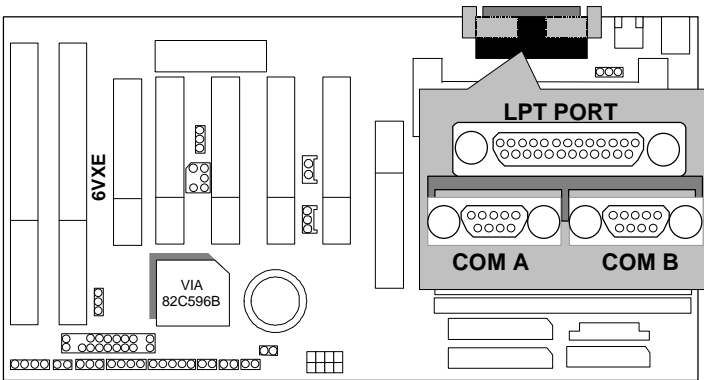
IDE2: For Secondary IDE port



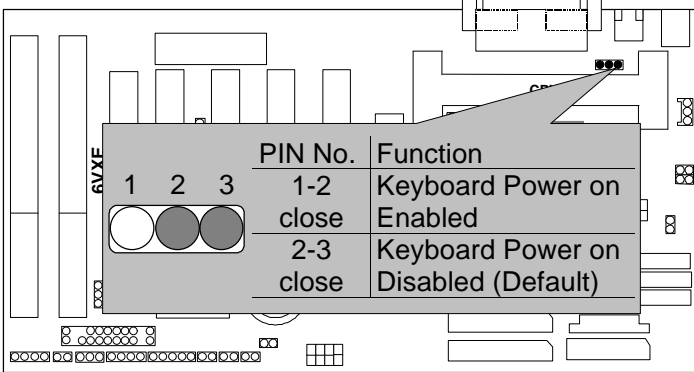
FLOPPY : FLOPPY PORT



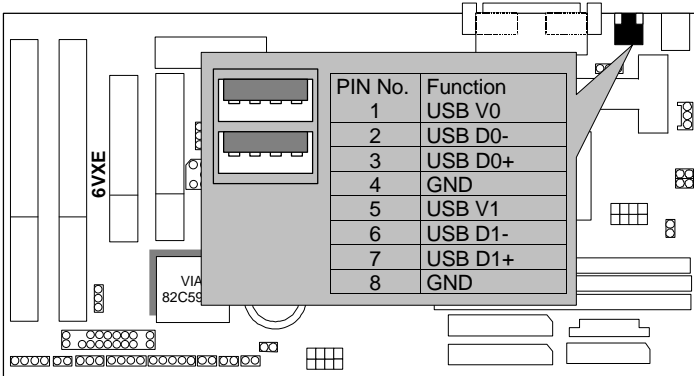
LPT PORT / COM A / COM B



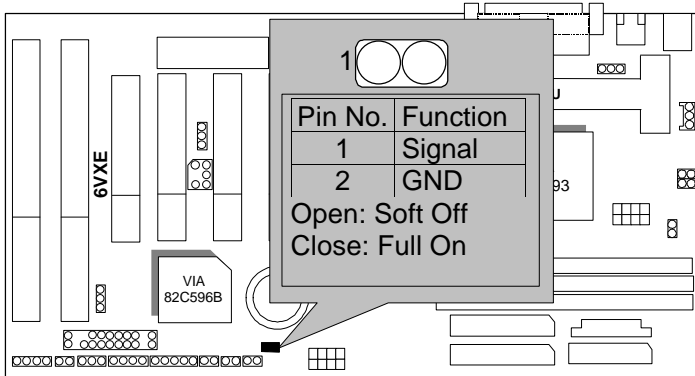
JP1 : Keyboard Power On Selection



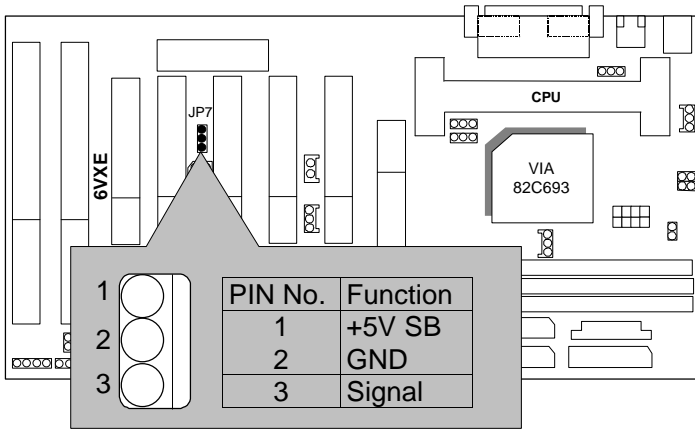
USB : USB Port



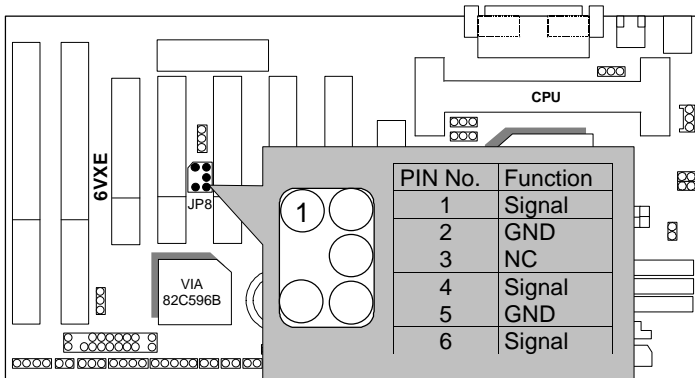
J15: System After AC Back



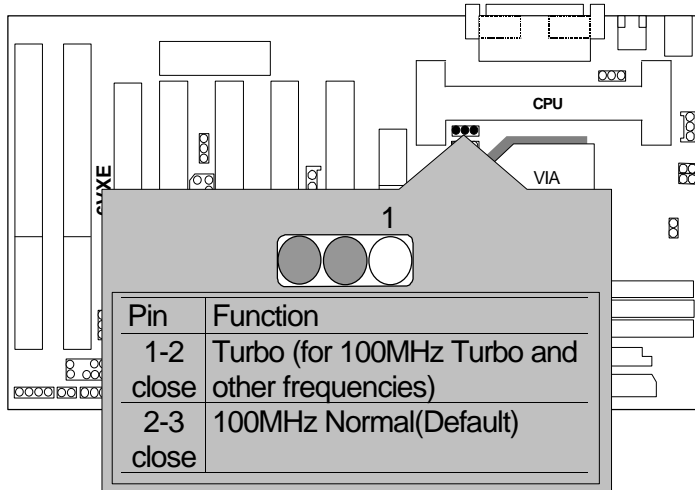
JP7: Wake On LAN



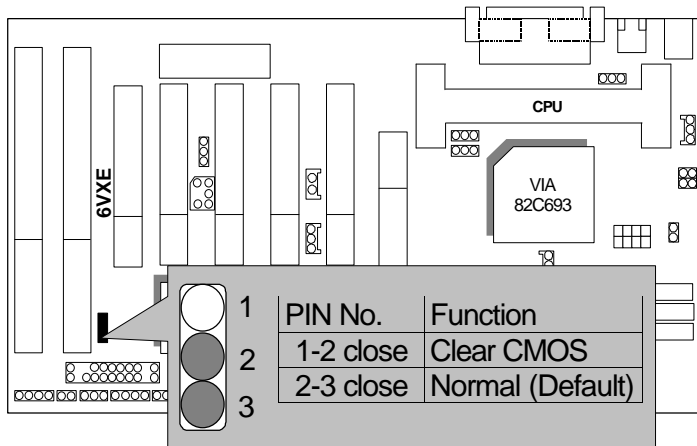
JP8:SB-LINK Creative PCI Sound Card Support



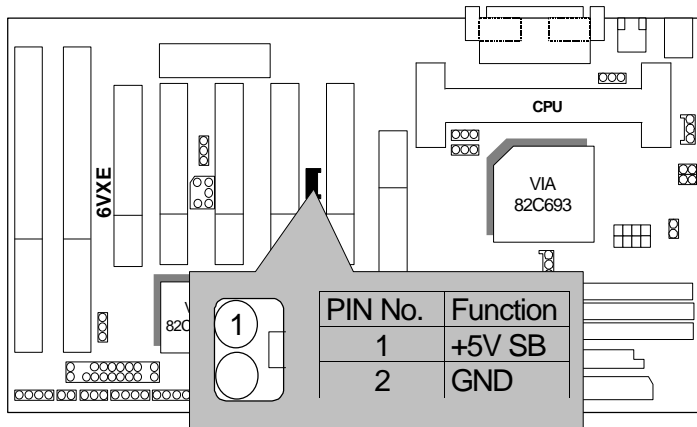
JP10 : System Acceleration



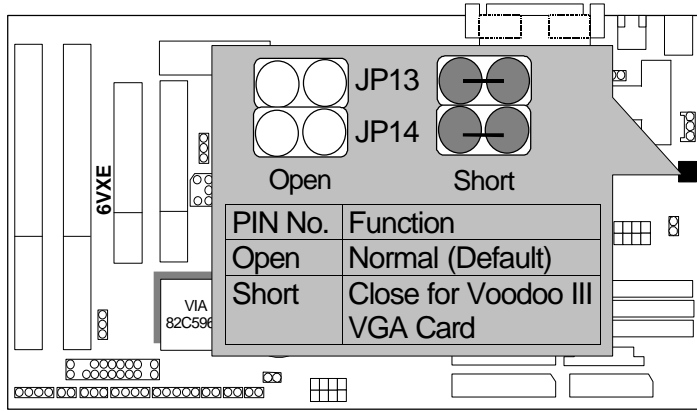
JP11: CLEAR CMOS FUNCTION



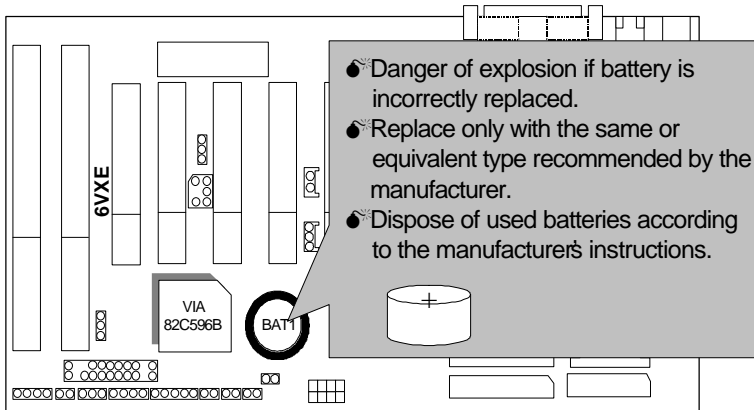
Internal Ring Power On FUNCTION



JP13/ JP14 : Close for Voodoo III



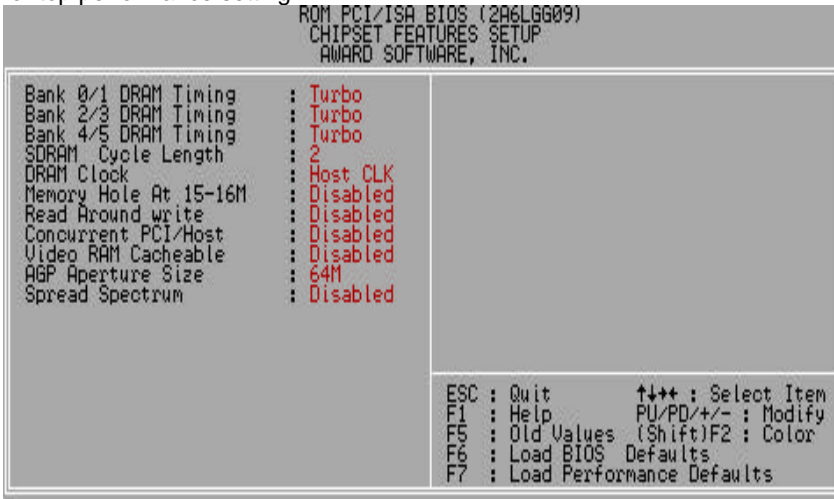
BAT1 :BATTERY



III. Top Performance Test Setting:

The following performance data list is the testing results of some popular benchmark testing programs.

Users have to modify the value for each item in chipset features as follow for top performance setting.



These data are just referred by users, and there is no responsibility for different testing data values gotten by users. (Different Hardware & Software configuration will result in different benchmark testing results.)

- CPU Pentium® III processor
- DRAM 128MB SDRAM (Winbond 902WB W986408BH-8H)
- CACHE SIZE 512 KB included in CPU
- DISPLAY GA-630 (16MB SGRAM)
- STORAGE Onboard IDE (IBM DJNA-371800)
- O.S. Windows NT™4.0
- DRIVER Display Driver at 1024 x 768 x 64K colors x 75Hz.
VIA Bus Master IDE Driver 4.00

Processor	Intel Pentium® III
	500MHz(100x5)
Winbench99(Ver 1.1)	
CPU mark99	37.2
FPU Winmark	2560
Business Disk	5660
Hi-End Disk	12800
Business Graphics	58.5
Hi-End Graphics	79.5
Winstone99	
Business	26.3
Hi-End	24.1