

6BXDU

USER'S MANUAL

1. **System power on by PS/2 Mouse:** First, enable this function in CMOS Setup, then you can power on the system by double clicking the right or left button of your PS/2 Mouse.
2. **System power on by Keyboard:** If your ATX power supply supports larger than 100~300 mA 5V Stand-By current (dependent on specification of keyboard), you can power on your system by entering password from the Keyboard after setting the "Keyboard power on" jumper (JP1) and password in CMOS Setup.
3. **Modem Ring-On on COM A , COM B.**
4. **Wake-up on LAN supports(on JP8):** Your ATX power supply must support larger than 720 mA 5V Stand-By current.
5. **Support LDCM**
6. **Support 3 steps ACPI LED**

**Pentium® II Processor MAINBOARD
REV. 1.2 First Edition**

R-12-01-081015

The author assumes no responsibility for any errors or omissions that may appear in this document nor does it make a commitment to update the information contained herein.

Third-party brands and names are the property of their respective owners.

Sound Blaster is a registered trademark of Creative Technology Ltd in the United States and certain other countries. Sound Blaster-LINK and SB-LINK are trademarks of Creative Technology Ltd.

Oct 15, 1998 Taipei, Taiwan

I. Quick Installation Guide :

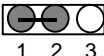

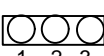
CPU SPEED SETUP

The system bus speed can be selectable between 66MHz and 100MHz. The user can select the system bus speed (JP6) and change the DIP SWITCH (**SW**) selection to set up the CPU speed for 200 - 633MHz processor.

⚠ **The CPU speed must match with the frequency RATIO. It will cause system hanging up if the frequency RATIO is higher than CPU's.**

FREQ. RATIO	DIP SWITCH (SW)			
	1	2	3	4
X 3	ON	OFF	ON	ON
X 3.5	OFF	OFF	ON	ON
X 4	ON	ON	OFF	ON
X 4.5	OFF	ON	OFF	ON
X 5	ON	OFF	OFF	ON
X 5.5	OFF	OFF	OFF	ON

⚠ **JP6** (Select the system speed between 66MHz and 100MHz)

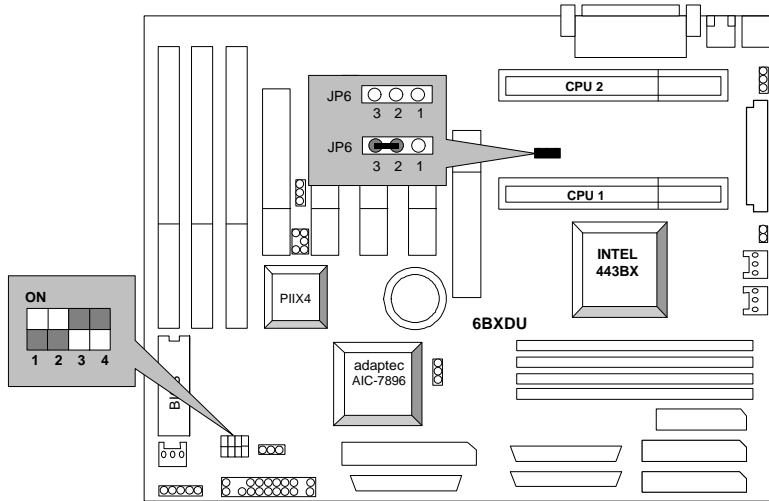
1-2 Close 	Set system speed to 66MHz - system always run at 66MHz FSB (Front Side Bus).
2-3 Close 	Set system speed to Auto - system speed detect automatically (66 /100MHz FSB).
1-2-3 Open 	Set system speed to 100MHz - system always run at 100MHz FSB (Front Side Bus).

⚠ If you use single CPU, please install to CPU2 slot.

• There are two ways to set system speed

- A. 66MHz forced (JP6 1-2 short) or Auto detect (2-3 short)
- B. 100MHz forced (JP6 1-2-3 open) or Auto detect (2-3 short)

1. Pentium® II 350 / 100MHz FSB



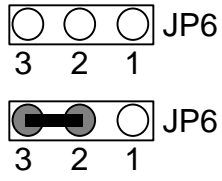
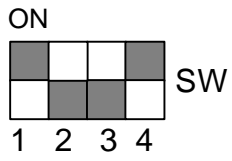
2. Pentium® II 400 / 100 MHz FSB



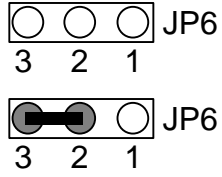
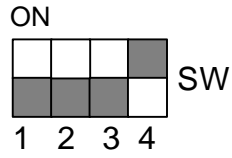
3. Pentium® II 450 / 100 MHz FSB



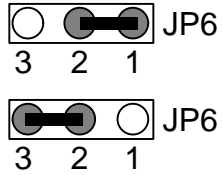
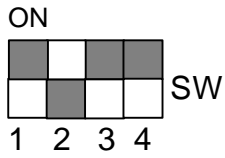
4. Pentium® II 500 / 100 MHz FSB



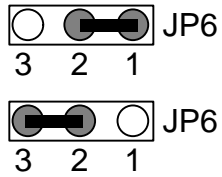
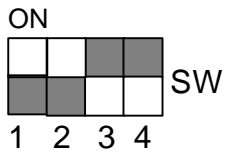
5. Pentium® II 550 / 100 MHz FSB



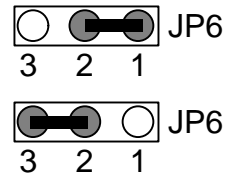
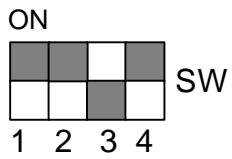
6. Pentium® II 200 / 66 MHz FSB



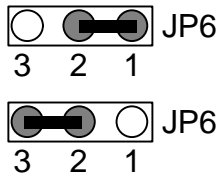
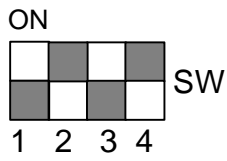
7. Pentium® II 233 / 66 MHz FSB



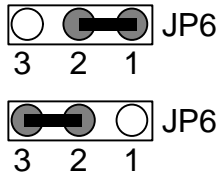
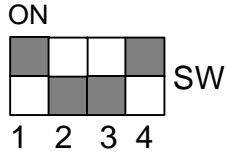
8. Pentium® II 266 / 66 MHz FSB



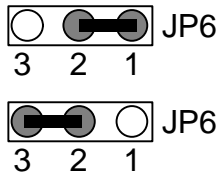
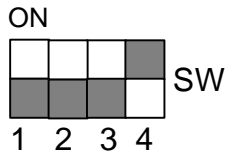
9. Pentium® II 300 / 66 MHz FSB



10. Pentium® II 333 / 66 MHz FSB

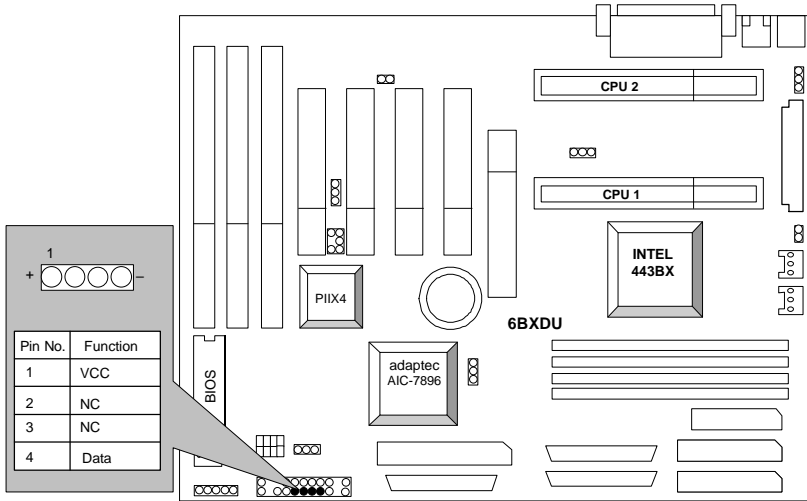


11. Pentium® II 366 / 66 MHz FSB

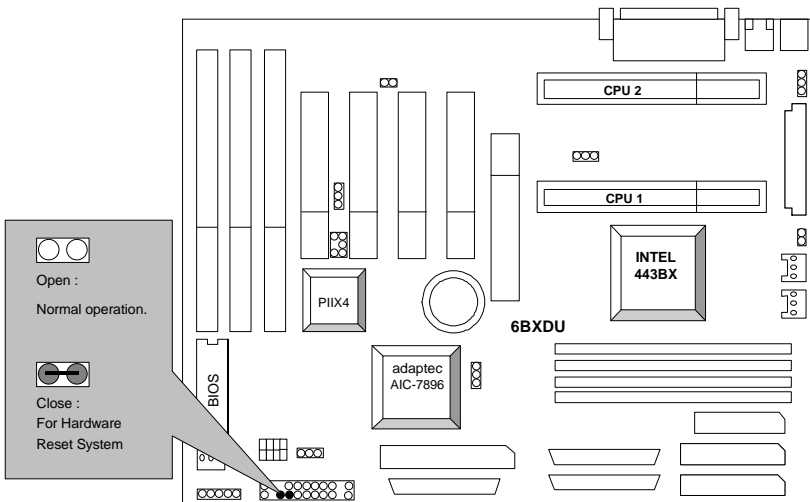


II. Jumper setting :

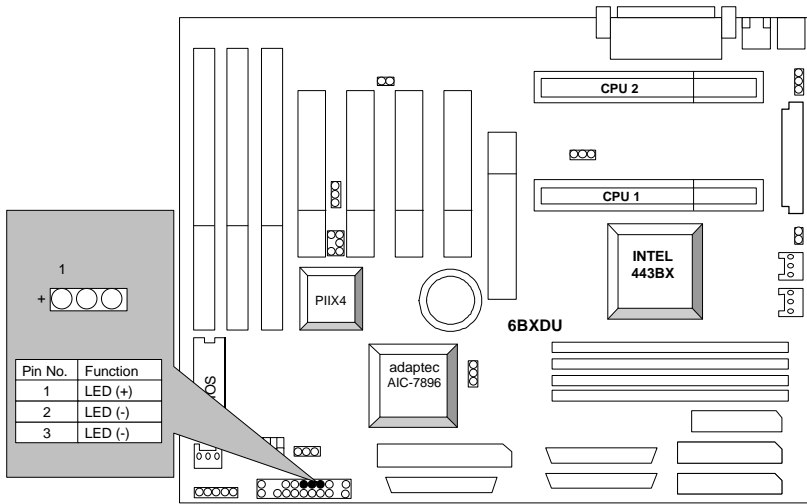
SPK : Speaker Connector



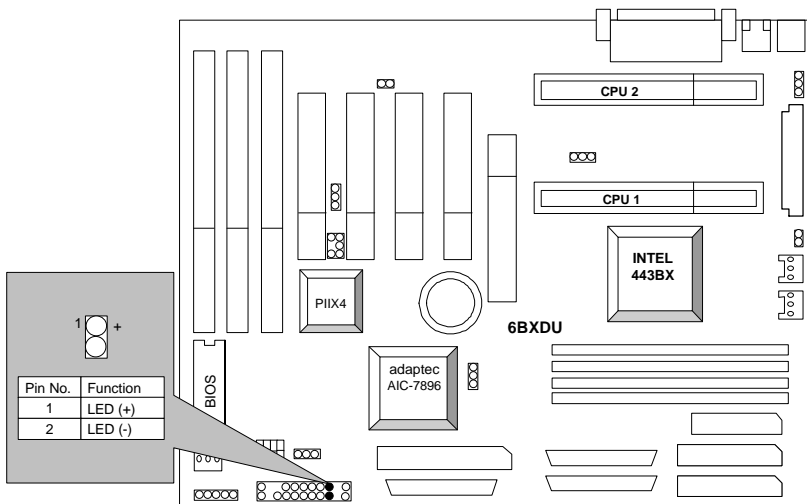
RST : Reset Switch



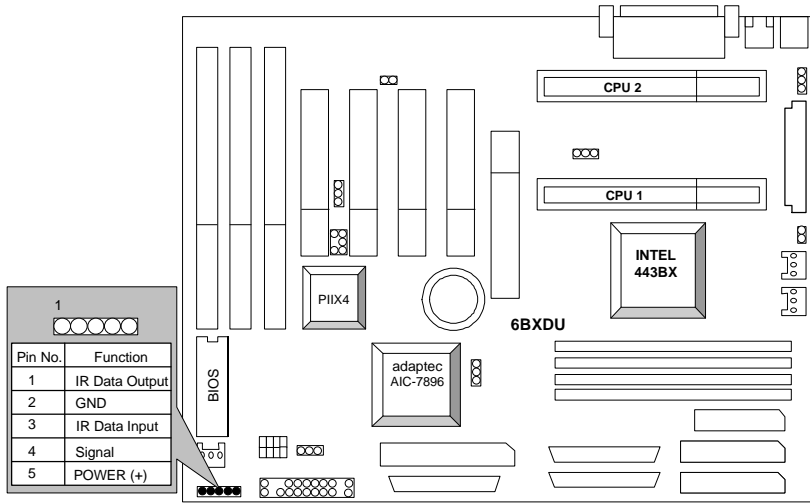
PWR : Power LED Connector



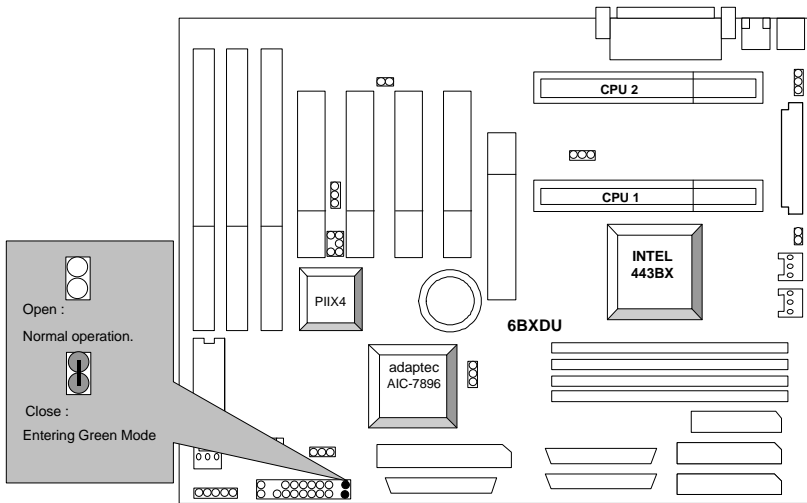
HD : IDE Hard Disk Active LED



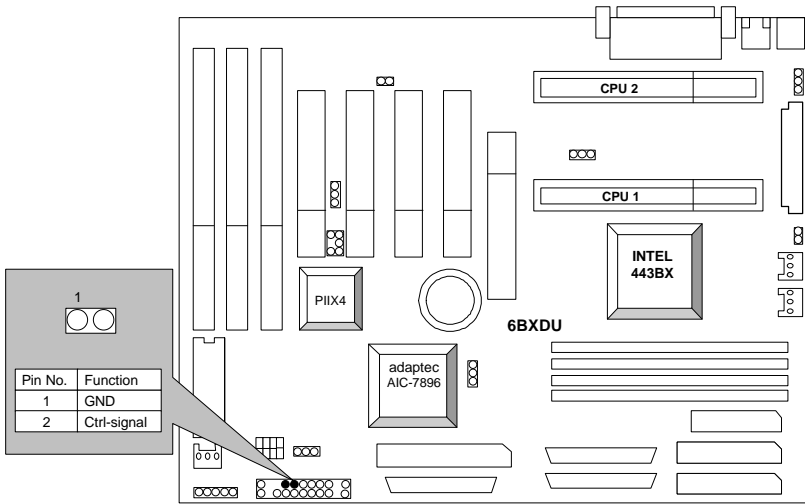
IR : Infrared Connector (Optional)



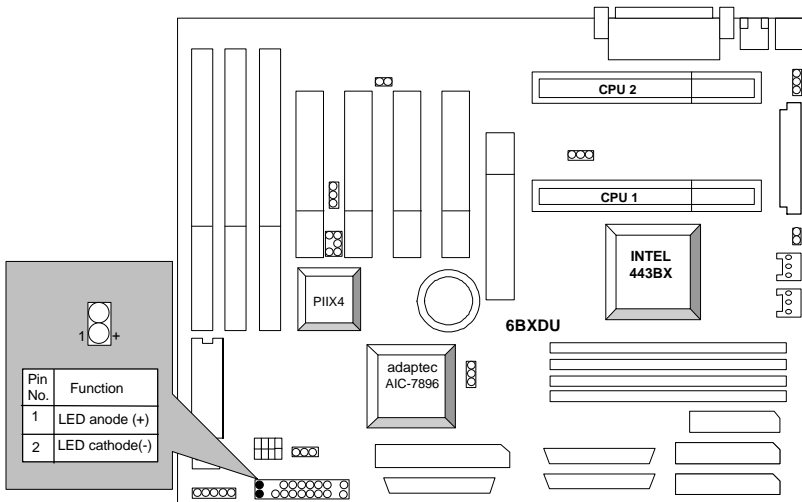
GN : Green Function Switch



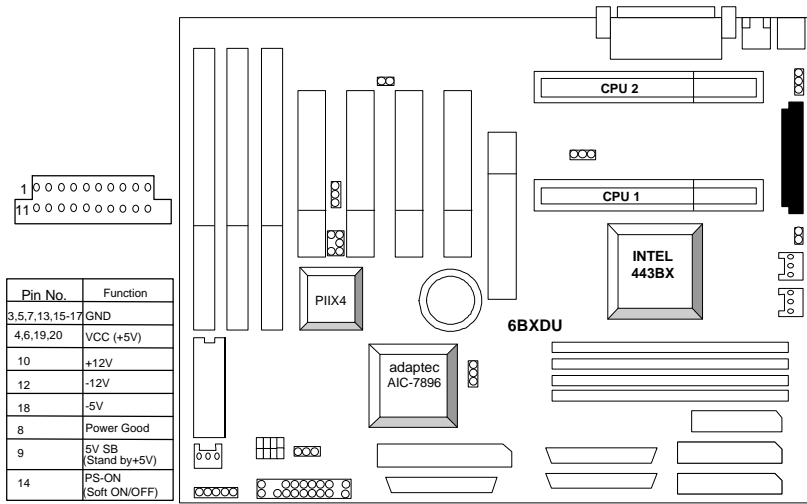
SOFT PWR : Soft Power Connector



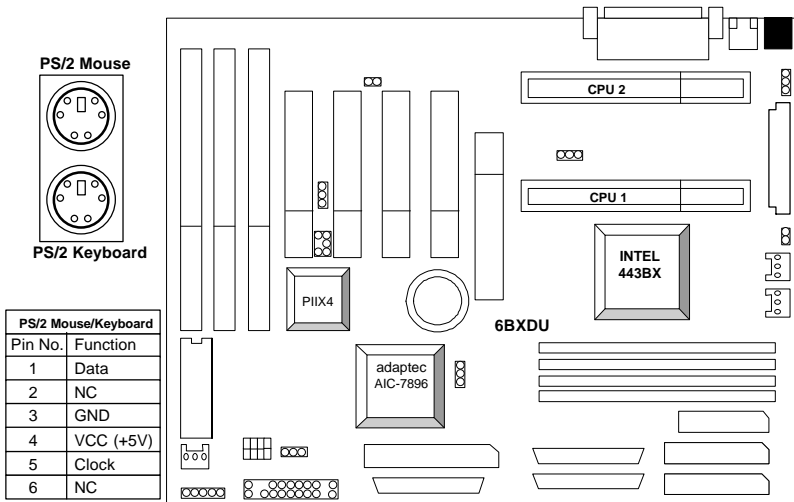
GD : Green Function LED



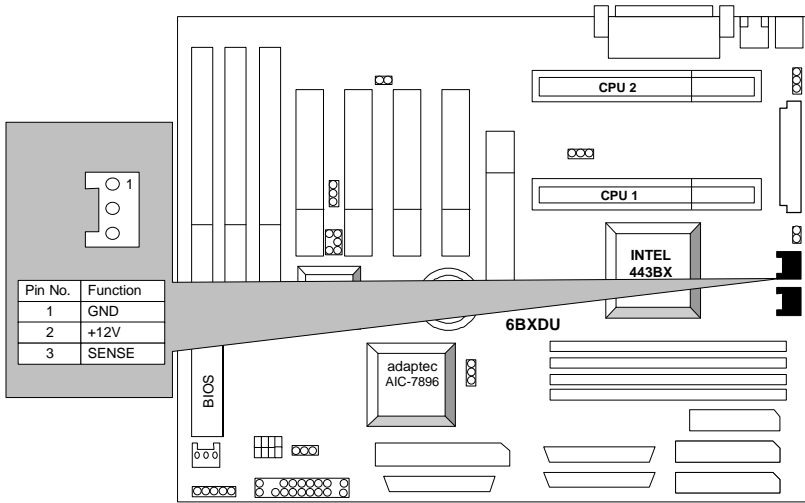
ATX POWER : ATX Power Connector



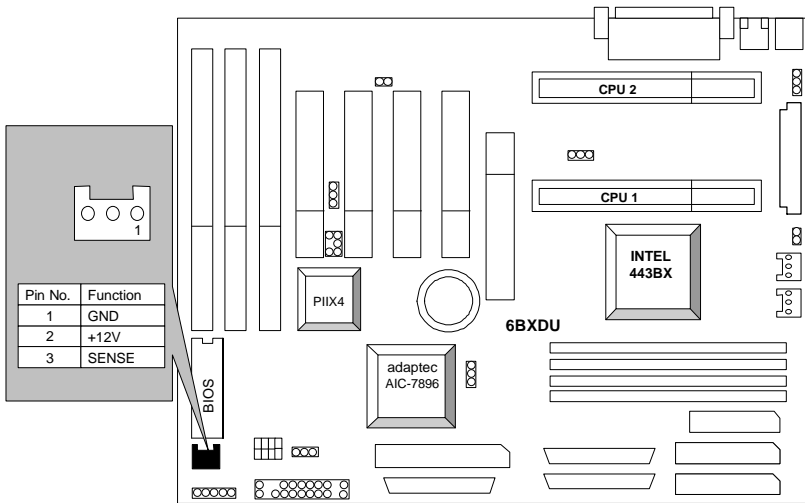
PS/2 Mouse / Keyboard Connector



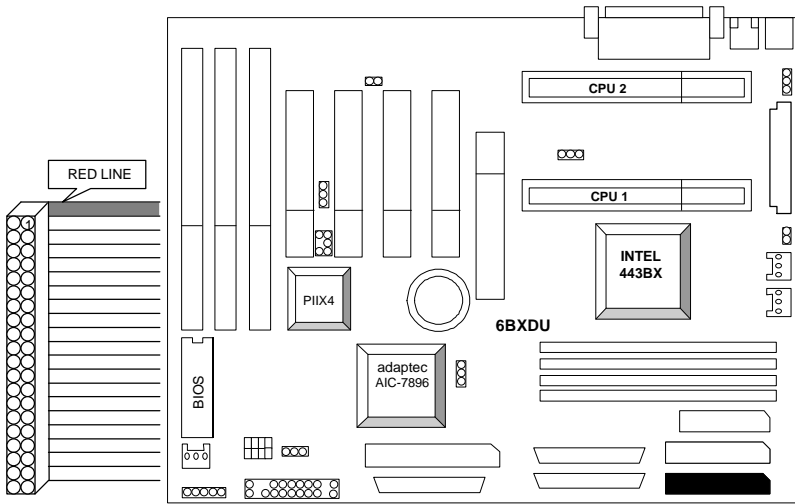
FAN PWR1 / FAN PWR2 : CPU Cooling Fan Power Connector



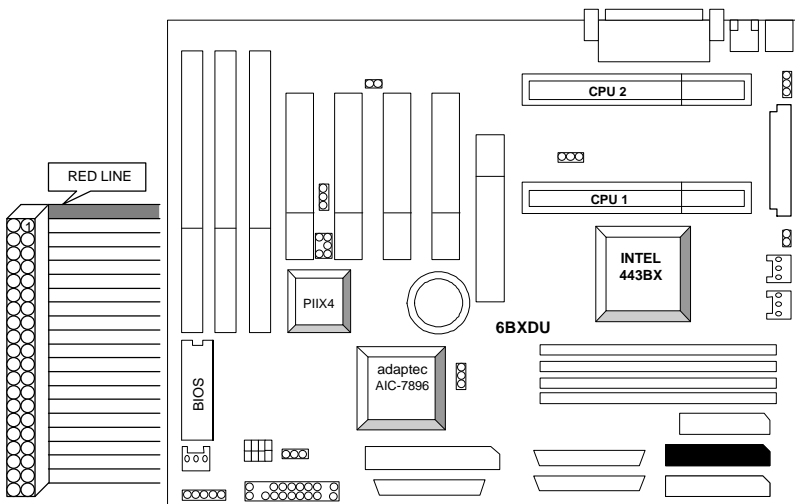
SYSTEM FAN : SYSTEM Fan Power Connector



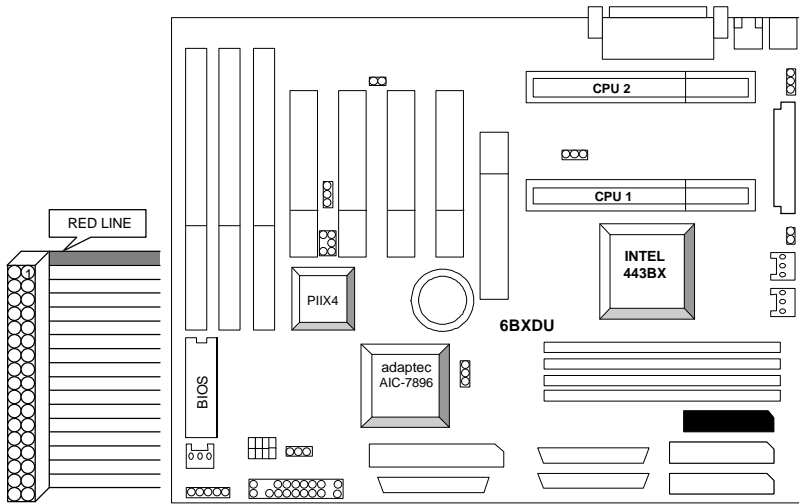
IDE1: For Primary IDE port



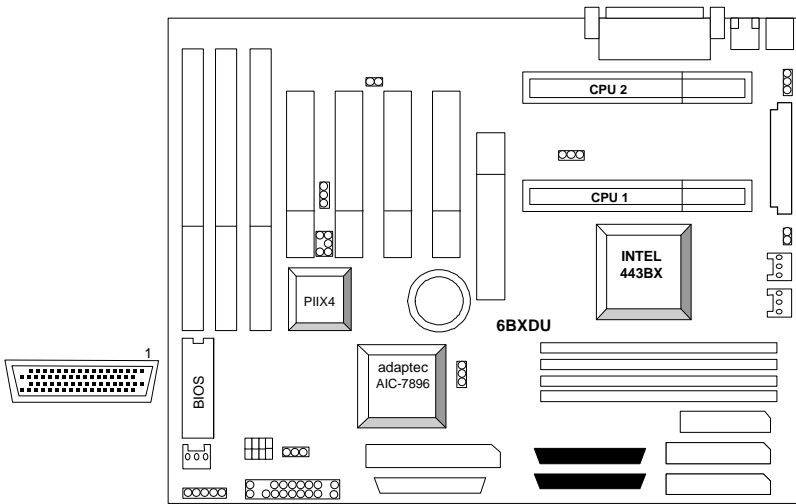
IDE2: For Secondary IDE port



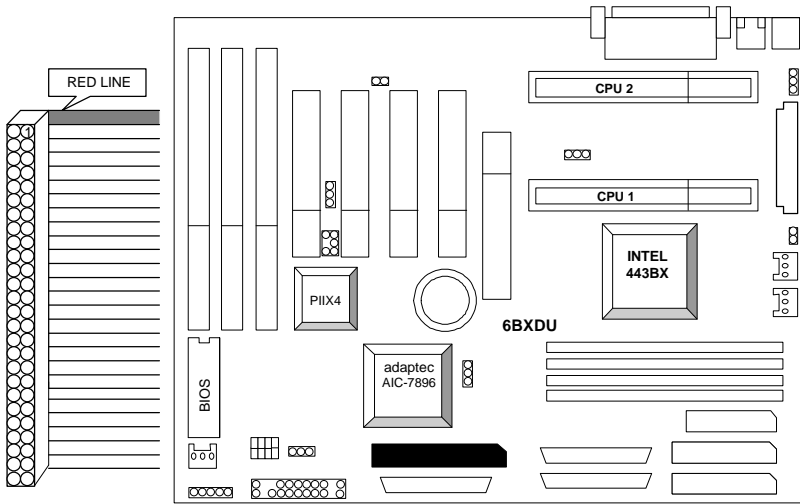
FLOPPY: For FLOPPY PORT



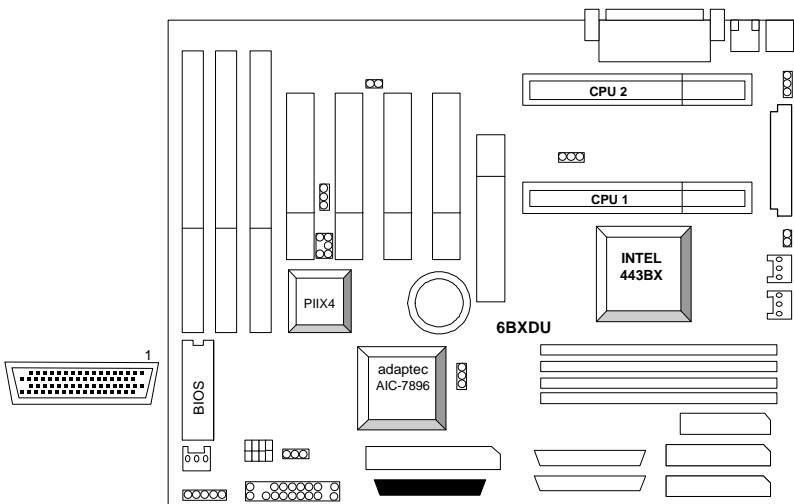
CHANNEL A : ON BOARD LVD PORT



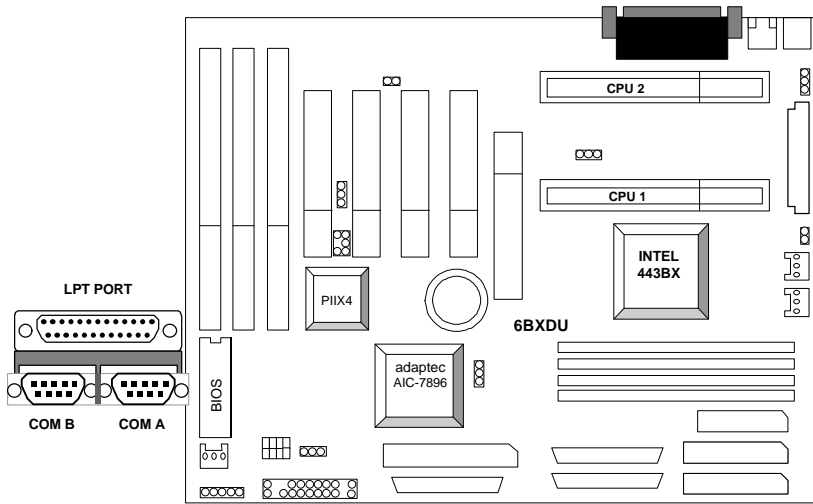
CHANNEL B : ON BOARD SE PORT



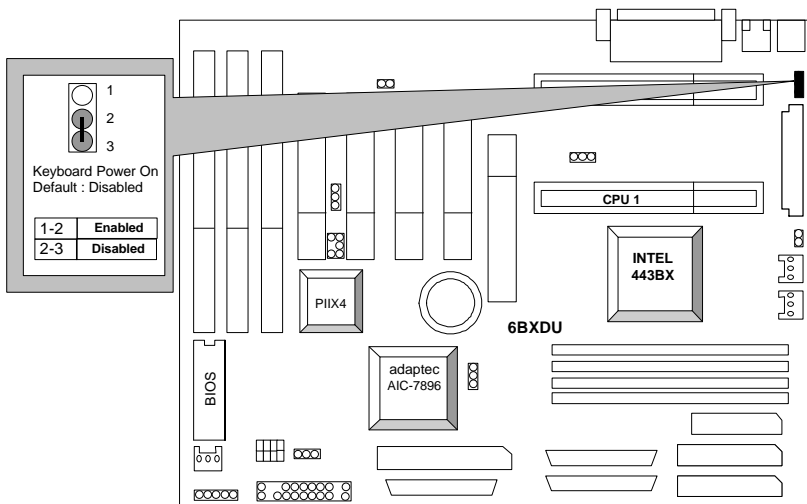
CHANNEL B : ON BOARD LVD PORT



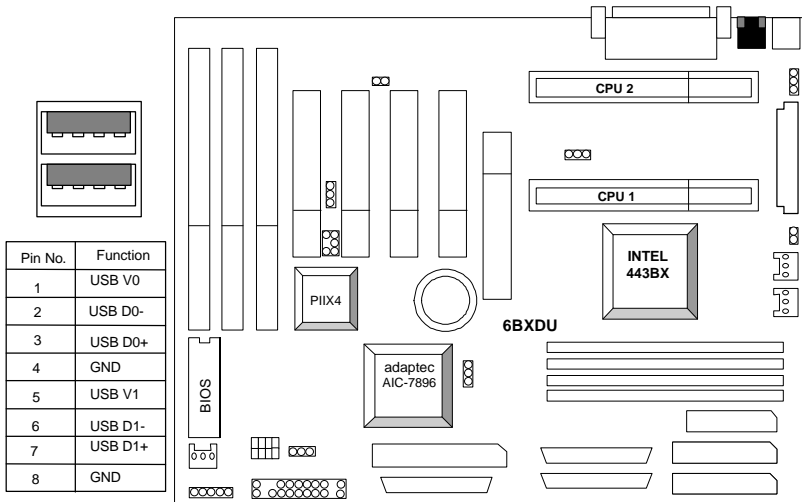
LPT PORT / COM A / COM B



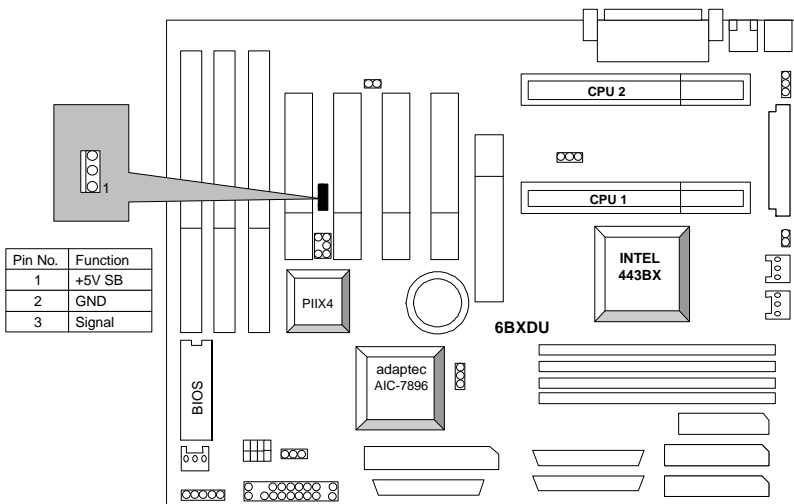
JP1 : Keyboard Power On



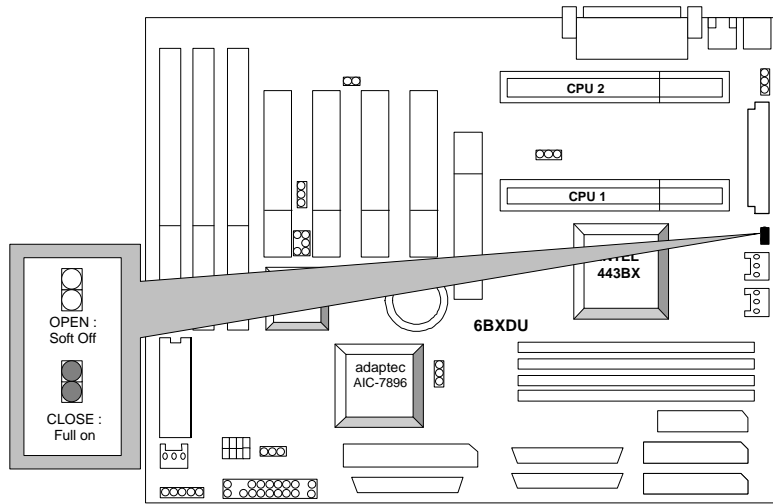
USB: USB Port



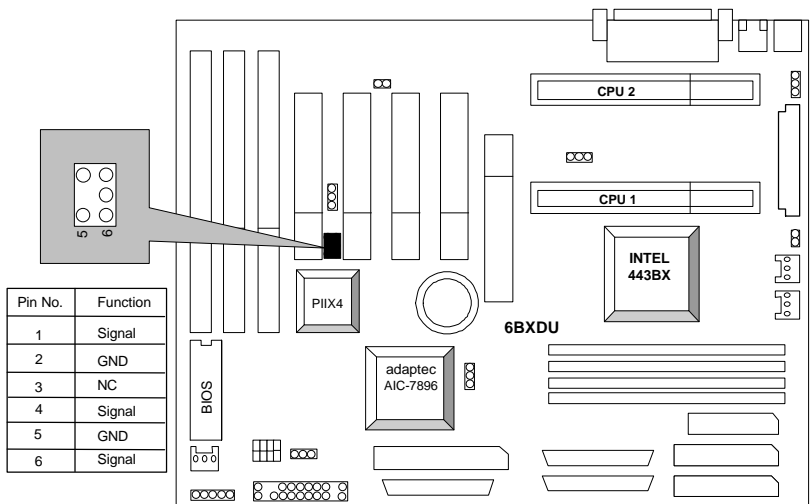
JP8: Wake on LAN



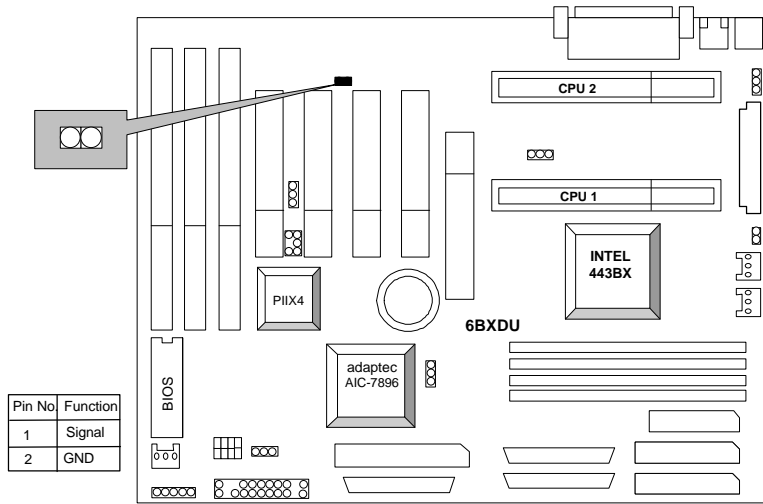
J1: ATX Power Control Selection



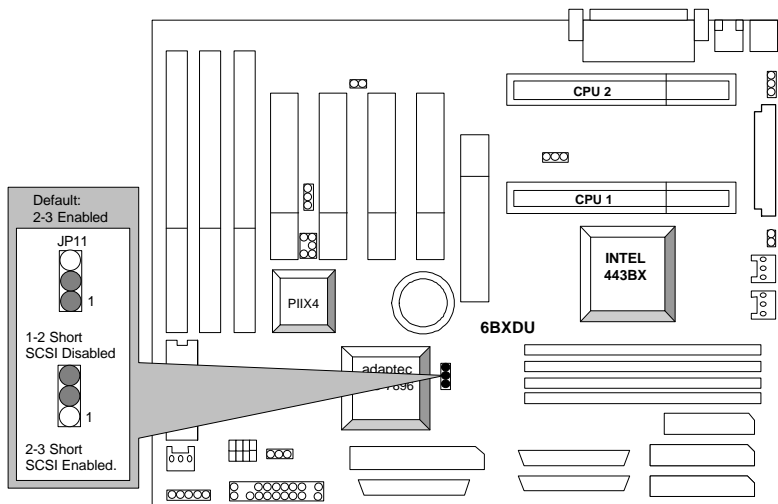
SB-LINK : For PCI Audio / Sound Card use only



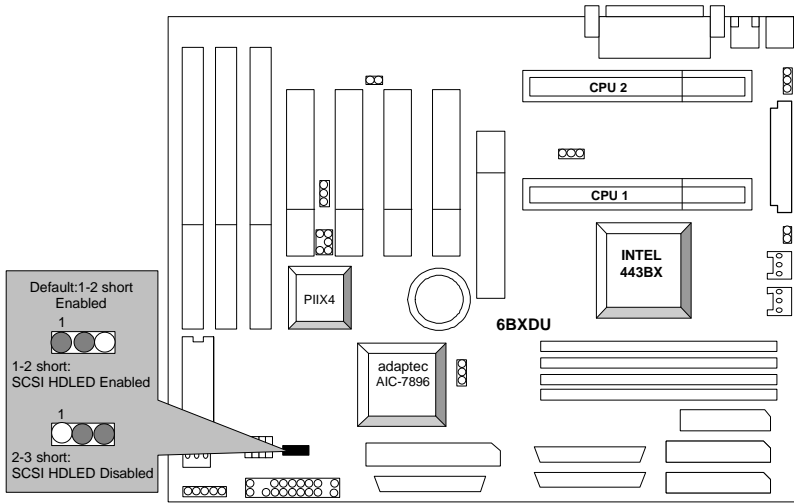
J13 : Case Open



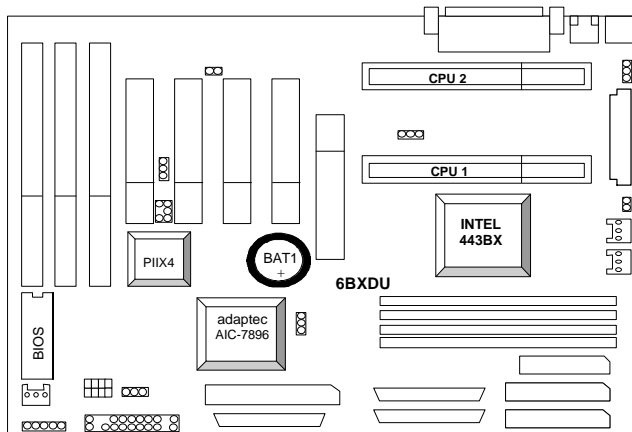
JP11 : Onboard PCI SCSI Function



JP12: Onboard SCSI HDLED Function



BAT1: For Battery



- ⚠ Danger of explosion if battery is incorrectly replaced.
- ⚠ Replace only with the same or equivalent type recommended by the manufacturer.
- ⚠ Dispose of used batteries according to the manufacturer's instructions.

III. Top Performance Test Setting:

The following performance data list is the testing results of some popular benchmark testing programs.

Users have to modify the value for each item in chipset features as follow

```

ROM PCI/ISA BIOS (2A69K60E)
CHIPSET FEATURES SETUP
AWARD SOFTWARE, INC.

Reset Case Open Status      : No
Case Opened                 : No
Slow Down CPU Duty Cycle   : Normal
Shutdown Temp. (°C/°F)    : 75/167
* Temp. Select (°C/°F)
CPU1: 70/158 CPU2: 70/158
* Temperature Alarm
CPU1: No CPU2: No
* Current Temp. (°C/°F)
CPU1: 33/91 CPU2: 33/91
* Fan Fail Alarm
CPU1: No CPU2: No System: No
* Current Fan Speed (RPM)
CPU1: 5443 CPU2: 0 System: 0
* Current Voltage (V)
UCOREA: 2.01 UCOREB: 2.08 UCC3: 3.56
+ 5V: 5.08 +12V: 12.52 -12V: -11.86
- 5V: - 5.09 VBAT: 3.26 5VSB: 5.05

EDO CAS# Wait State       : 1
EDO RAS# Wait State      : 1
SDRAM CAS Latency Time   : 2
DRAM Data Integrity Mode : Non-ECC
System BIOS Cacheable    : Enabled
Video BIOS Cacheable     : Enabled
Video RAM Cacheable      : Disabled
16Bit I/O Recovery Time  : 1
Memory Hole At 15M-16M   : Disabled
Delayed Transaction      : Disabled
Clock Spread Spectrum    : Disabled
Auto Detect DIMM Clk     : Disabled

ESC : Quit          ↑↑↑ : Select Item
F1  : Help          PU/PD/+/- : Modify
F5  : Old Values (Shift) F2 : Color
F6  : Load BIOS Defaults
F7  : LOAD PERFORMANCE DEFAULTS

```

for top performance setting.

- ** Each value of items as above depends on your hardware configuration : CPU , SDRAM , Cards , etc.
- Please modify each value of items If your system does not work properly .

These data are just referred by users, and there is no responsibility for different testing data values gotten by users. (The different Hardware & Software configuration will result in different benchmark testing results.)

- CPU Pentium® II processor
- DRAM (128x1)MB SDRAM (TOSHIBA TC59S6408FTL-80H)
- CACHE SIZE 512 KB included in CPU
- DISPLAY GA-601 AGP Display Card (4MB SGRAM)
- STORAGE Onboard Ultra II SCSI (IBM DDRS-39130)
- O.S. Windows NT™ 4.0
- DRIVER Display Driver at 1024 x 768 x 64k colors x 75Hz.
Adaptec AIC-789x PCI Ultra II SCSI Driver

Processor	Intel Pentium® II	
	300MHz(100x3)	350MHz(100x3.5)
Winbench98		
CPU mark32	776	905
FPU Winmark	1540	1800
Business Disk	2070	2080
Hi-End Disk	4840	4950
Business Graphics	172	197
Hi-End Graphics	180	208
Winstone98		
Business	31	33.8
Hi-End	34.6	37.8