

6VX7

USER'S MANUAL

- 1. System power on by PS/2 Mouse: First, enable this function in CMOS Setup, then you can power on the system by double clicking the right or left button of your PS/2 Mouse.**
- 2. System power on by Keyboard: If your ATX power supply supports larger than 300 mA 5V Stand-By current (depends on the specification of keyboards), you can power on your system by entering password from the Keyboard after setting the “Keyboard power on” jumper and password in CMOS Setup.**
- 3. Support 3 steps ACPI LED selectable.**
- 4. Support Modem Ring-On. (Include internal Modem and external modem on COM A and COM B)**
- 5. Support Wake-up On LAN. (Your ATX power supply must support larger than 720 mA 5V Stand-By current)**

Celeron™ Socket 370 Processor MAINBOARD

REV. 1.4 First Edition

R-14-01-090916

The author assumes no responsibility for any errors or omissions which may appear in this document nor does it make a commitment to update the information contained herein.

Third-party brands and names are the property of their respective owners.

Sound Blaster is a registered trademark of Creative Technology Ltd in the United States and certain other countries. Sound Blaster-LINK and SB-LINK are trademarks of Creative Technology Ltd.

Sep. 16, 1999 Taipei, Taiwan

I. Quick Installation Guide :

The system bus speed can be set for 66MHz. The user can select the system bus speed (**SW2**) and change the DIP SWITCH (**SW1**) selection to set up the CPU speed for 366 - 566MHz processor.

⚠ **The CPU speed must match with the frequency RATIO. It will cause system hanging up if the frequency RATIO is higher than CPU's.**

SW1: (O:ON / X:OFF)

FREQ. RATIO	DIP SWITCH (SW)			
	1	2	3	4
X 3	O	X	O	O
X 3.5	X	X	O	O
X 4	O	O	X	O
X 4.5	X	O	X	O
X 5	O	X	X	O
X 5.5	X	X	X	O
X 6	O	O	O	X
X 6.5	X	O	O	X
X 7	O	X	O	X
X 7.5	X	X	O	X
X 8	O	O	X	X
X 8.5	X	O	X	X
X 9	O	X	X	X
X 9.5	X	X	X	X

Set System Bus Speed

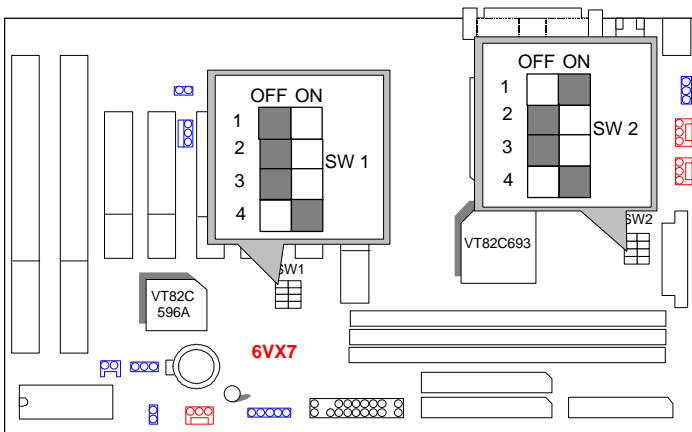
SW2: (O:ON / X:OFF)

CPU	AGP	1	2	3	4
66	66	O	X	X	O
75	75	O	O	X	O
83	83	O	X	O	O
100	66	X	X	X	X
112	75	X	O	X	X
133	89	X	X	O	X

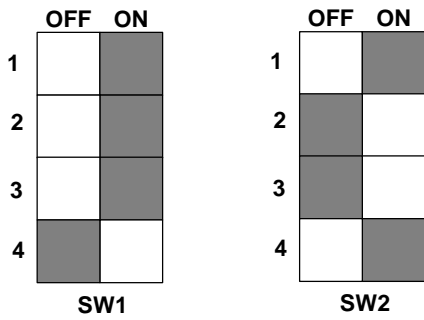
★ **Note: We don't recommend you to set up your system speed to 75,83,100,112 or 133MHz because these frequencies are not the standard specifications for CPU, Chipset and most of the peripherals. Whether your system can run under 75,83,100,112 or 133MHz properly will depend on your hardware configurations: CPU, SDRAM, Cards, etc.**

☞ **The black part in the picture is the white extruding piece of the DIP switch.**

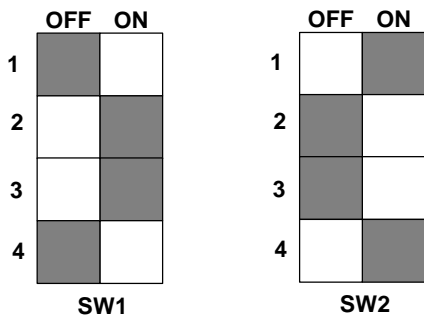
1. Celeron™ 366/ 66 MHz FSB



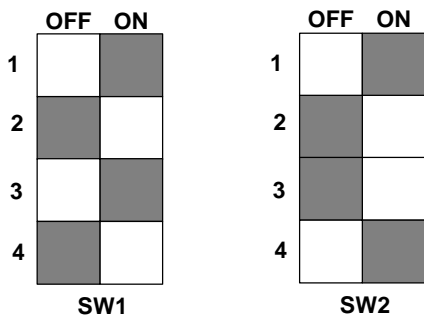
2. Celeron™ 400/ 66 MHz FSB



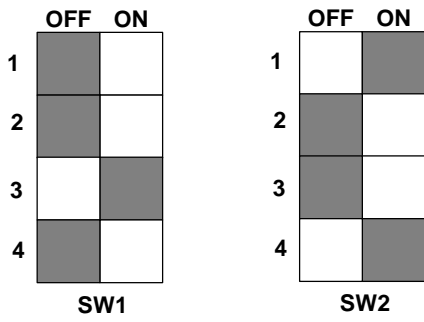
3. Celeron™ 433/ 66 MHz FSB



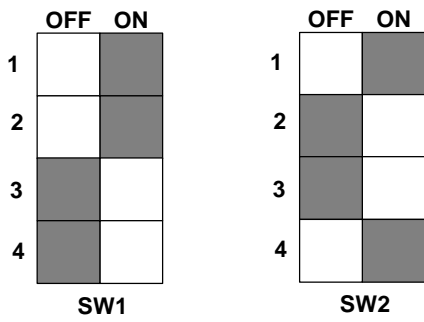
4. Celeron™ 466/ 66 MHz FSB



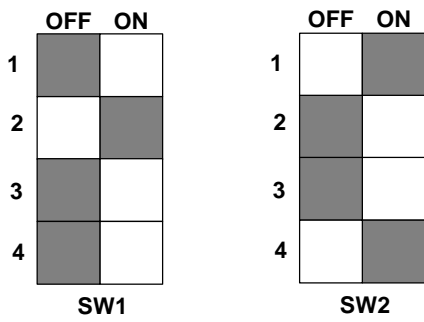
5. Celeron™ 500/ 66 MHz FSB



6. Celeron™ 533/ 66 MHz FSB

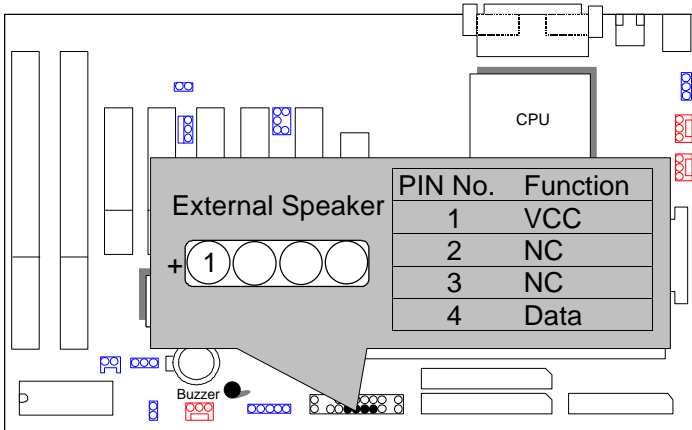


7. Celeron™ 566/ 66 MHz FSB

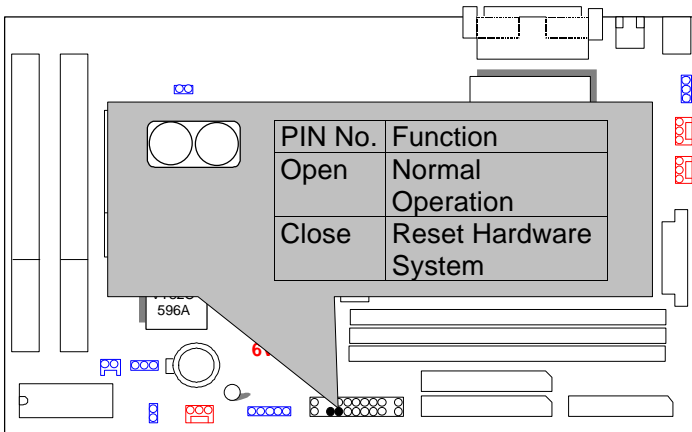


II. Jumper setting :

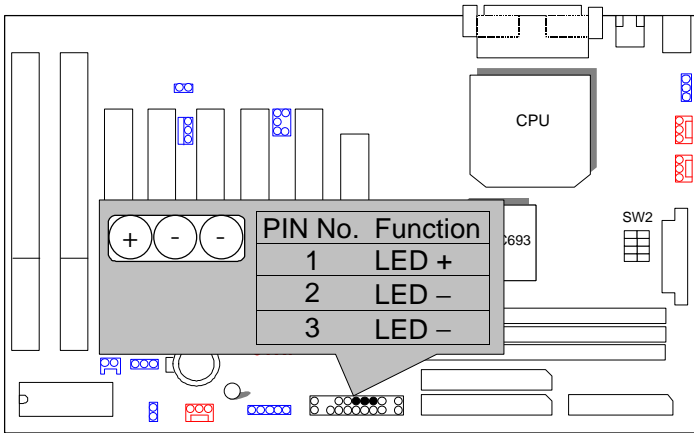
SPK : Speaker Connector



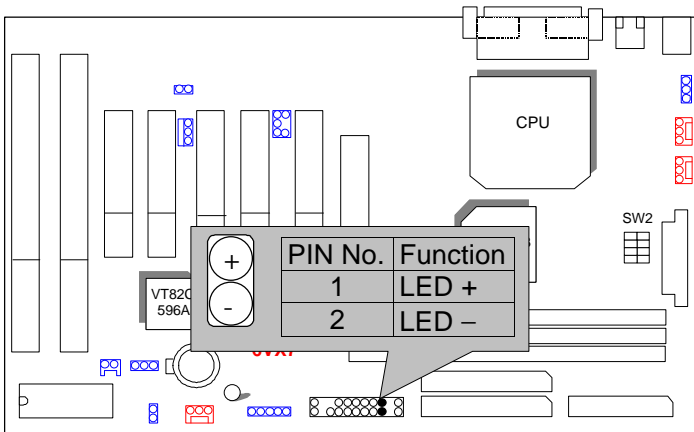
RST : Reset Switch



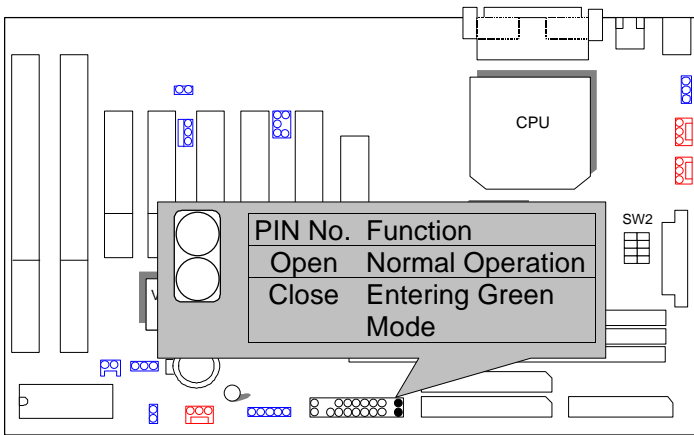
PW LED : Power LED Connector



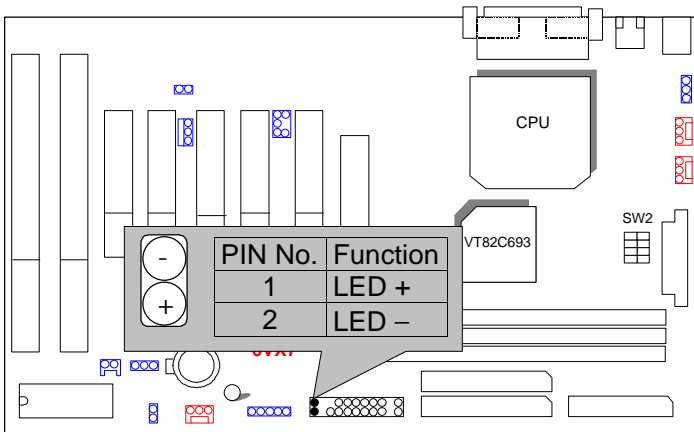
HD : IDE Hard Disk Active LED



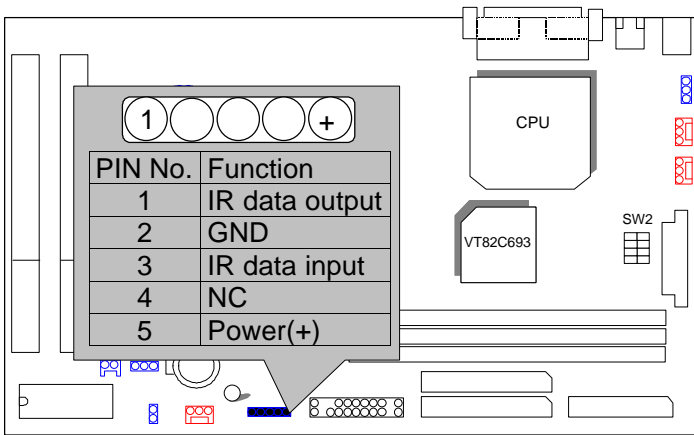
GN : Green Function Switch



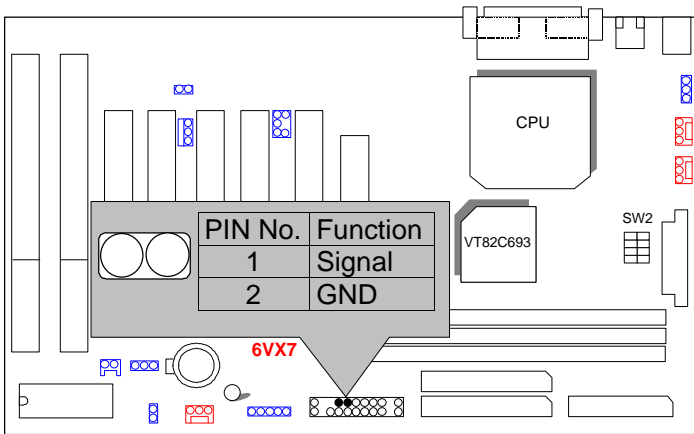
GD : Green LED



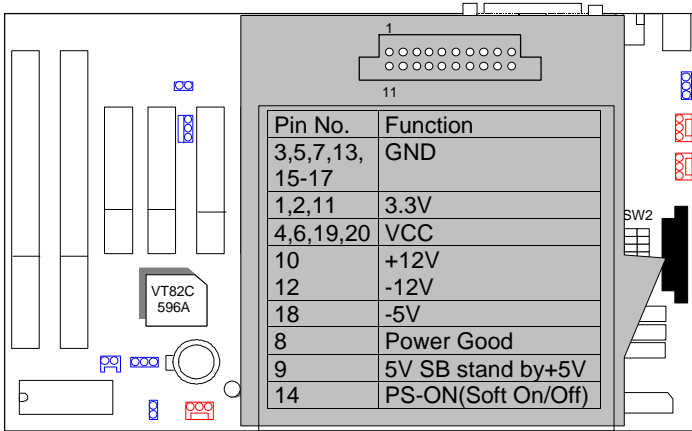
IR : Infrared Connector (Optional)



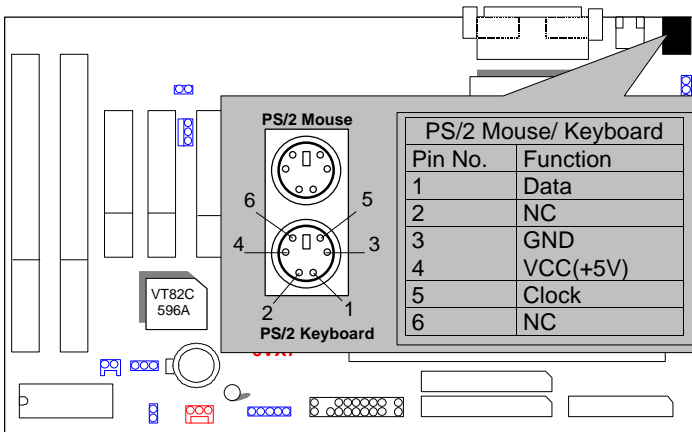
Soft Power : Soft Power Connector



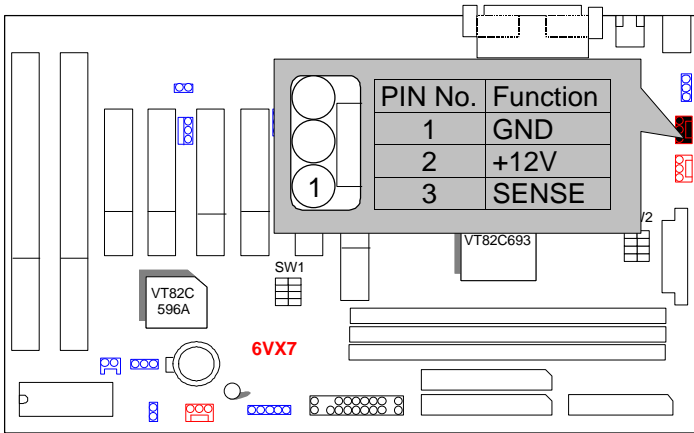
ATX Power : ATX Power Connector



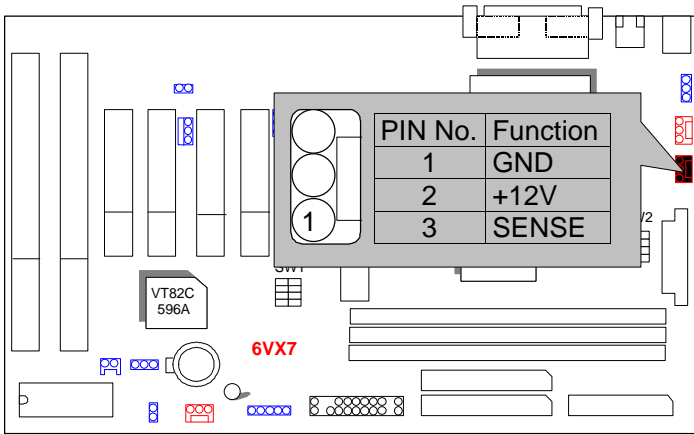
PS/2 Mouse / Keyboard Connector



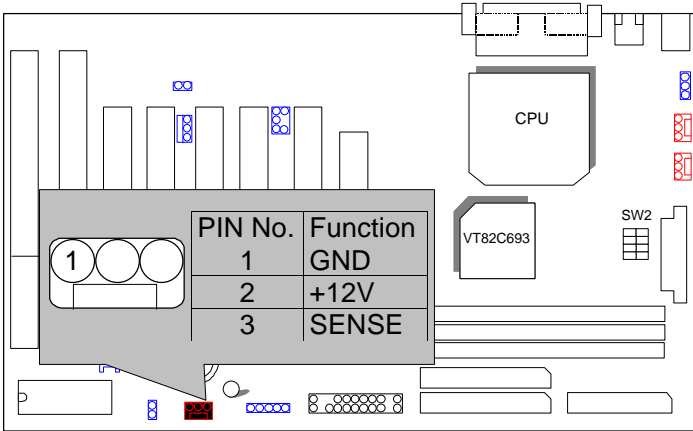
CPU FAN : CPU FAN Connector



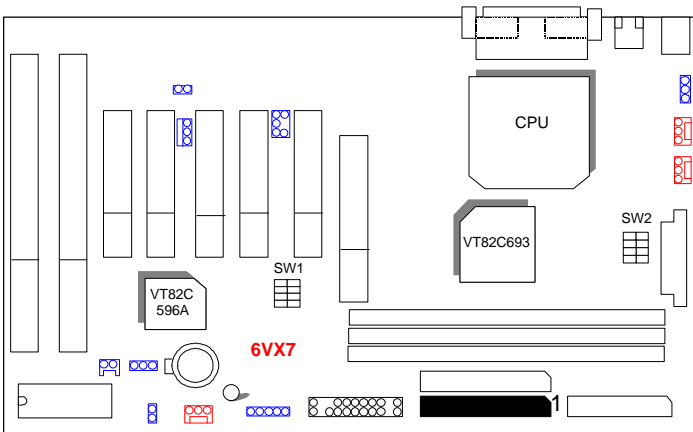
PWR FAN : Power FAN Connector



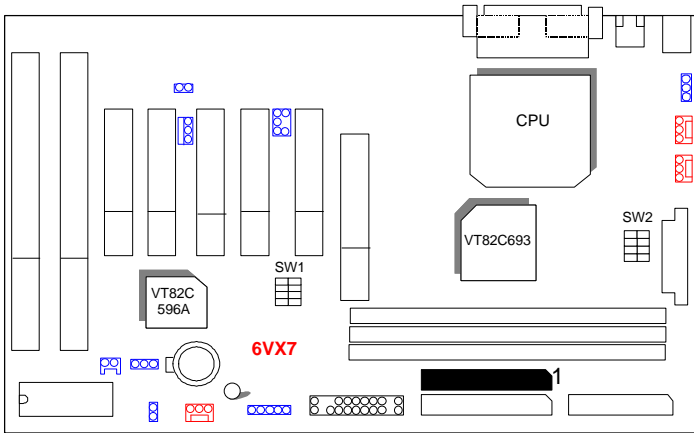
SYSTEM FAN : System FAN Connector



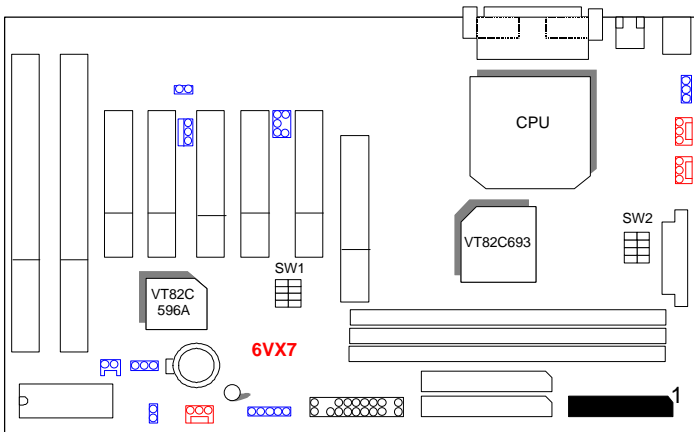
IDE1: For Primary IDE Port



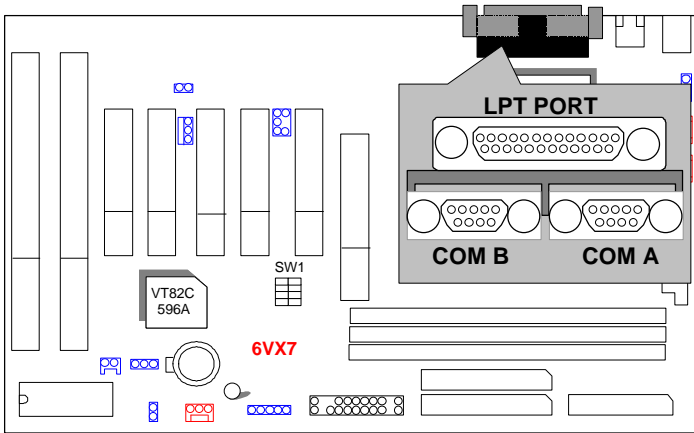
IDE2: For Secondary IDE Port



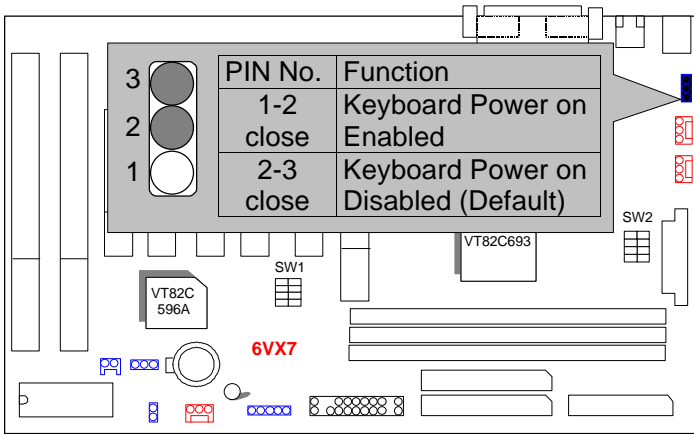
FLOPPY : FLOPPY Port



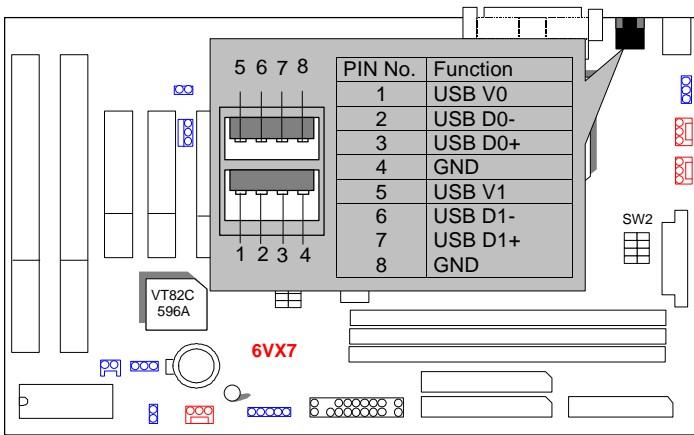
LPT PORT / COM A / COM B



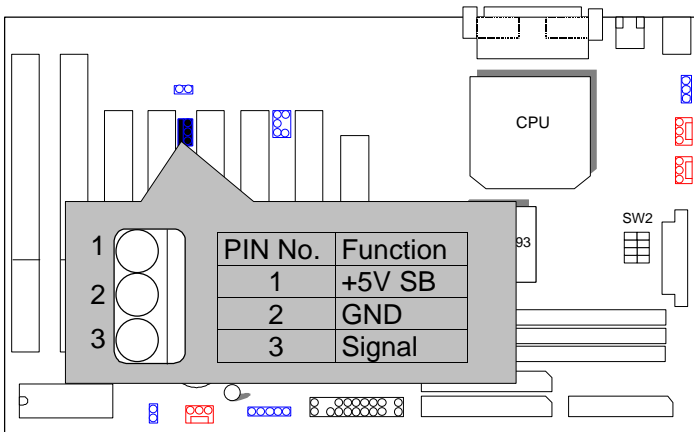
JP1 : Keyboard Power On Selection



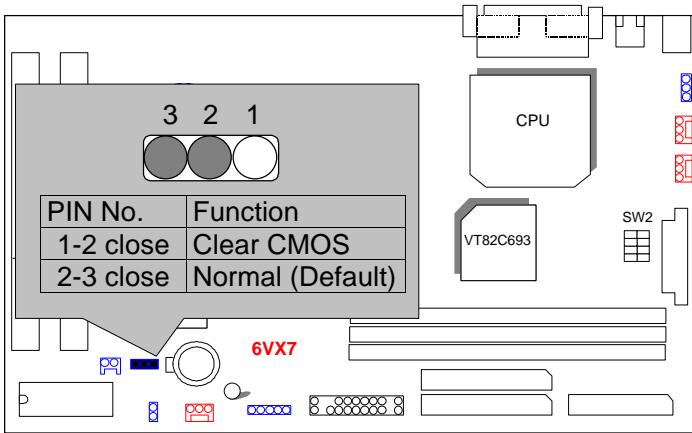
USB : USB Port



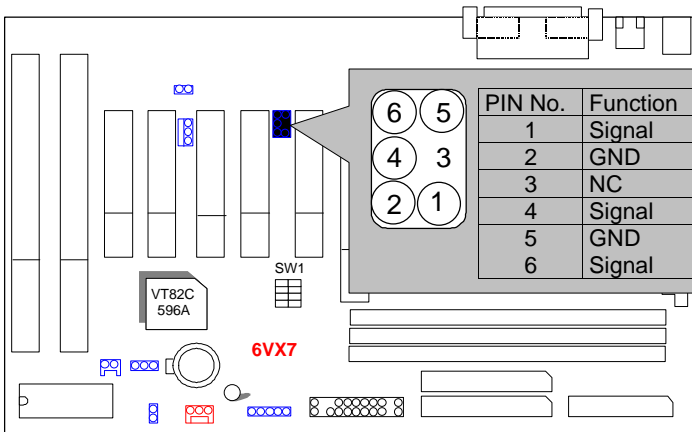
JP7: Wake On LAN



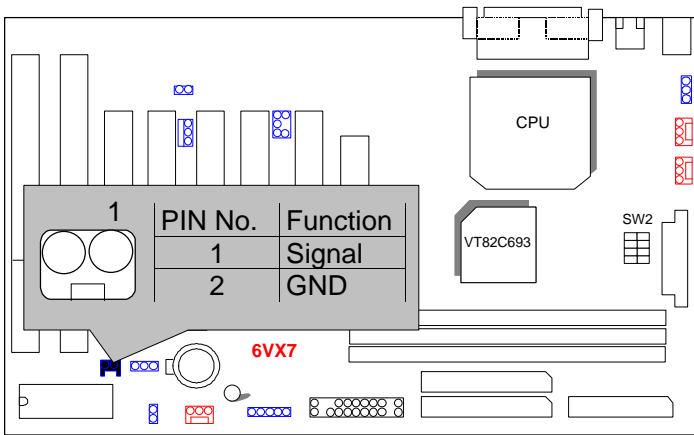
JP9 : CLEAR CMOS Function



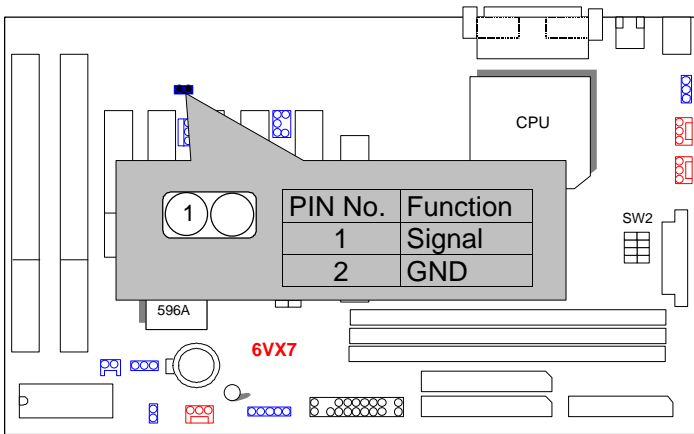
J14 :SB-LINK



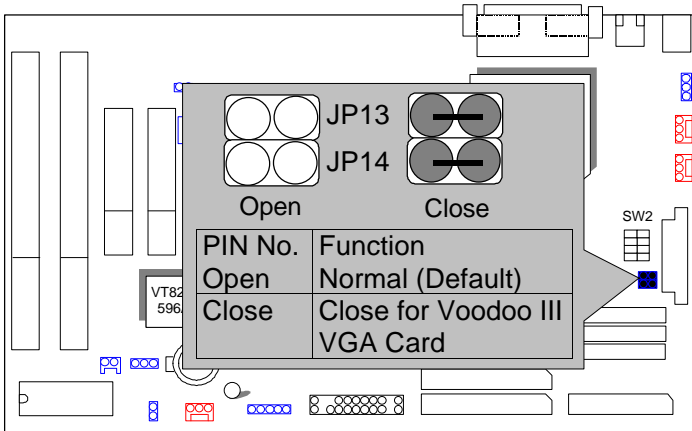
J16: Internal Modem Ring On



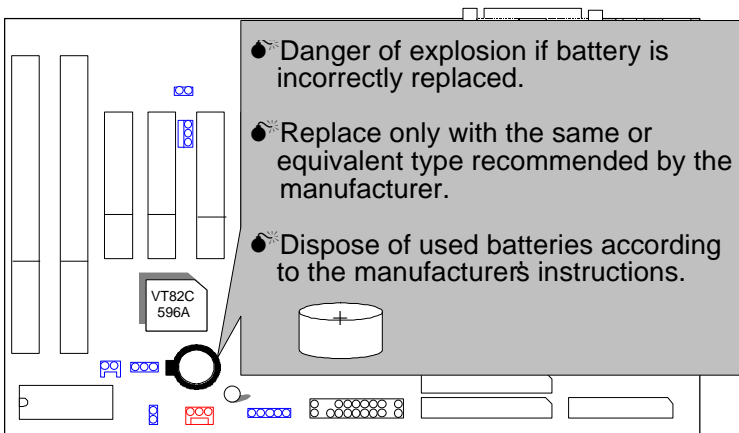
JP10 : CASE OPEN (Optional)



JP13 / JP14

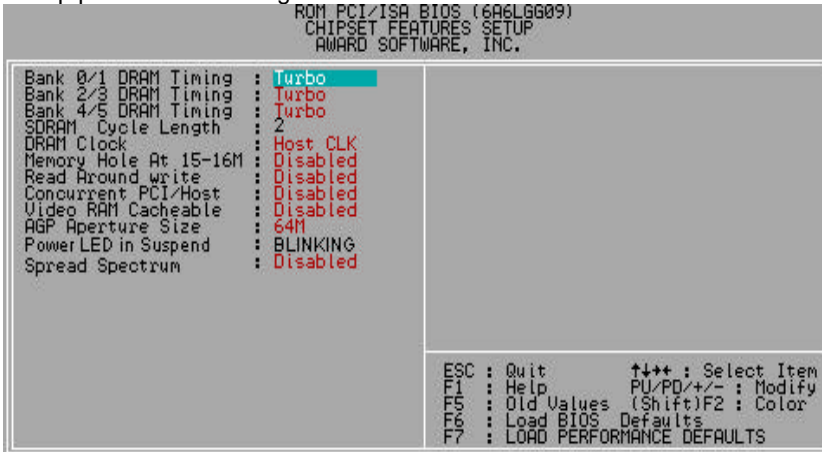


BAT1 :Battery



III. Top Performance Test Setting:

Users have to modify the value for each item in chipset features as follow for top performance setting.



** Each value of items as above depends on your hardware configuration : CPU , SDRAM , Cards , etc.

Please modify each value of items If your system does not work properly .

The following performance data list is the testing results of some popular benchmark testing programs.

These data are just referred by users, and there is no responsibility for different testing data values gotten by users. (Different Hardware & Software configuration will result in different benchmark testing results.)

- CPU Intel Celeron™ Socket 370 Processor
- DRAM (128 x 1) MB SDRAM (Micron 48LC8M8AZ-8EB)
- CACHE SIZE 128 KB included in CPU
- DISPLAY GA-660 AGP Card (32MB SDRAM)
- STORAGE Onboard IDE (IBM DJNA-371800) (18GB)
- O.S. Windows NT™4.0 (SP5)
- DRIVER Display Driver at 1024 x 768 x 64K x 75Hz

Processor	Intel Celeron™ Socket 370	
	400MHz (100x4)	533MHz (66x8)
Winbench99		
CPU mark99	31.4	32.2
FPU Winmark 99	2140	2860
Business Disk Winmark 99	4480	4550
Hi-End Disk Winmark 99	12100	12100
Business Graphics Winmark 99	167	169
Hi-End Graphics Winmark 99	326	363
Winstone99		
Business Winstone99	27.6	27.8
Hi-End Winstone99	24.1	24.9