

# **6ZM7/6ZM7A**

## **USER'S MANUAL**

- 1. System power on by PS/2 Mouse: First, enable this function in CMOS Setup, then you can power on the system by double clicking the right or left button of your PS/2 Mouse.**
- 2. System power on by Keyboard: If your ATX power supply supports larger than 300 mA 5V Stand-By current (depends on the specification of keyboards), you can power on your system by entering password from the Keyboard after setting the "Keyboard power on" jumper and password in CMOS Setup.**
- 3. Support 3 steps ACPI LED selectable.**
- 4. Support Modem Ring-On (Include internal Modem and external modem on COM A and COM B).**
- 5. Support Wake-up On LAN (Your ATX power supply must support larger than 720 mA 5V Stand-By current).**
- 6. ESS SOLO-1 ES1938S PCI Sound Onboard (Optional).**

**INTEL<sup>®</sup> Celeron<sup>™</sup> Socket 370 Processor MAIN BOARD  
REV. 1.0 First Edition**

R-10-01-090209



The author assumes no responsibility for any errors or omissions that may appear in this document nor does it make a commitment to update the information contained herein.

Third-party brands and names are the property of their respective owners.

Sound Blaster is a registered trademark of Creative Technology Ltd in the United States and certain other countries. Sound Blaster-LINK and SB-LINK are trademarks of Creative Technology Ltd.

February 9, 1999 Taipei, Taiwan

## I. Quick Installation Guide :

### CPU SPEED SETUP

The system bus frequency can be switched between 66MHz and 133MHz by adjusting DIP SW2. The CPU frequency ratio can be switched from X3 to X9.5 by adjusting DIP SW1. The user can set up CPU speed for 366~533MHz processors by adjusting SW1 and SW2 properly.

⚠ **The CPU speed must match with the frequency RATIO. It will cause system hanging up if the frequency RATIO is higher than that of CPU.**

SW1: (O:ON / X:OFF)

FREQ. RATIO	DIP SWITCH (SW)			
	1	2	3	4
X 3	O	X	O	O
X 3.5	X	X	O	O
X 4	O	O	X	O
X 4.5	X	O	X	O
X 5	O	X	X	O
X 5.5	X	X	X	O
X 6	O	O	O	X
X 6.5	X	O	O	X
X 7	O	X	O	X
X 7.5	X	X	O	X
X 8	O	O	X	X
X 8.5	X	O	X	X
X 9	O	X	X	X
X 9.5	X	X	X	X

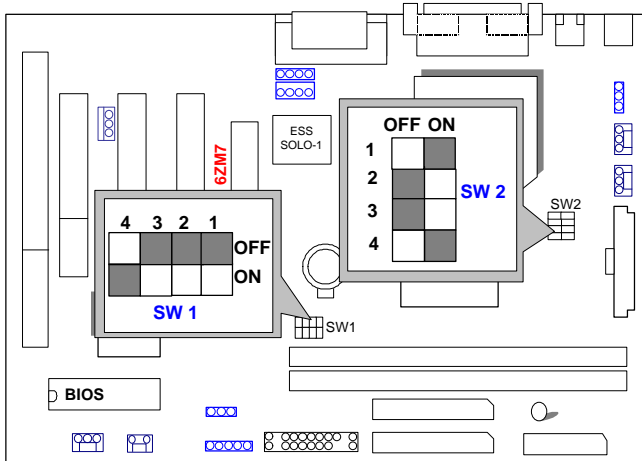
**Set System Bus Speed**

**SW2: (O:ON / X:OFF)**

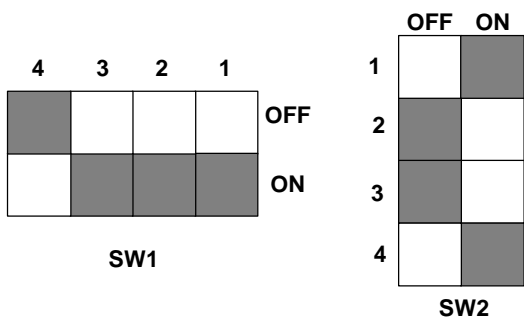
CPU	AGP	1	2	3	4
66	66	O	X	X	O
75	75	O	O	X	O
83	83	O	X	O	O
100	66	X	X	X	X
112	75	X	O	X	X
133	89	X	X	O	X

★ **Note:** Please set the CPU host frequency in accordance with your processor's specifications. We don't recommend you to set the system bus frequency over the CPU's specification because these specific bus frequencies are not the standard specifications for CPU, chipset and most of the peripherals. Whether your system can run under these specific bus frequencies properly will depend on your hardware configurations, including CPU, Chipsets, SDRAM, Cards..etc.

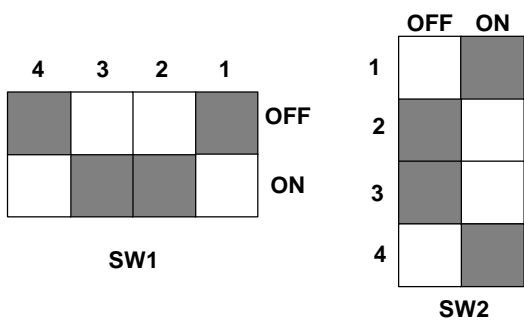
1. Celeron™ 366/ 66 MHz FSB



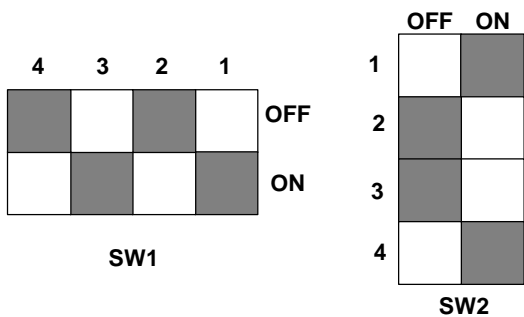
2. Celeron™ 400/ 66 MHz FSB



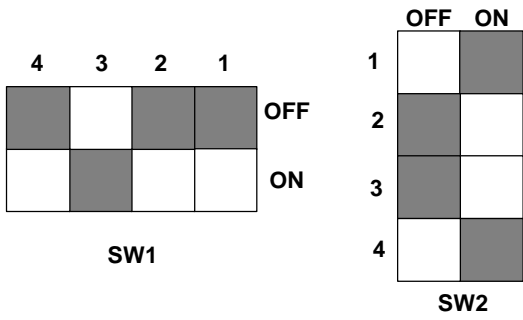
3. Celeron™ 433/ 66 MHz FSB



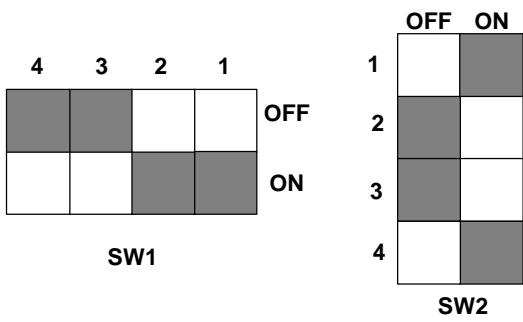
4. Celeron™ 466/ 66 MHz FSB



5. Celeron™ 500/ 66 MHz FSB

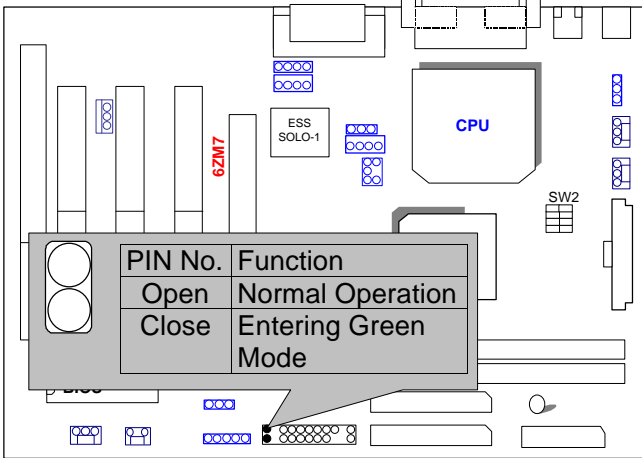


6. Celeron™ 533/ 66 MHz FSB

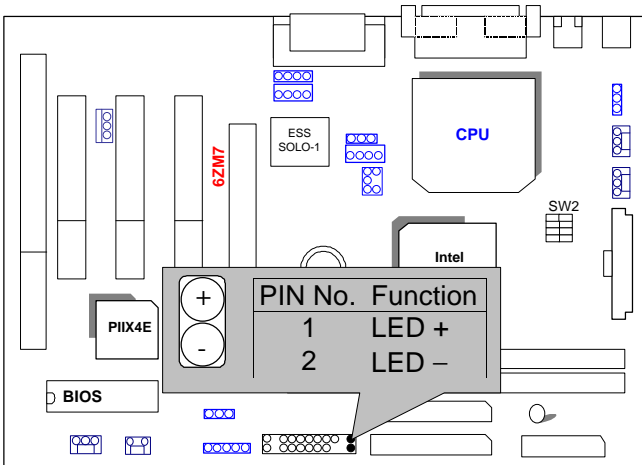


## II. Jumper setting :

GN : Green Function Switch

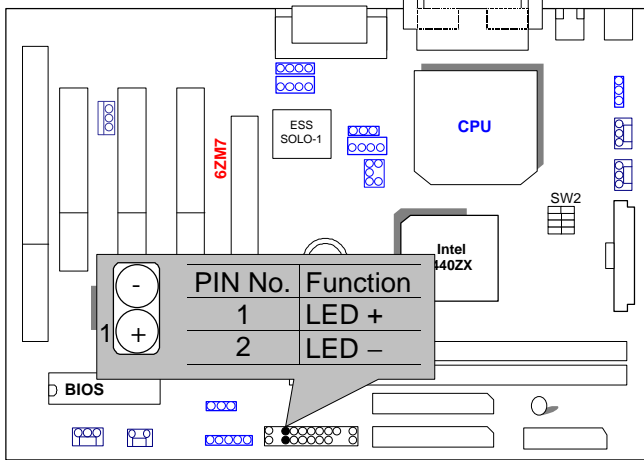


GD : Green Function LED

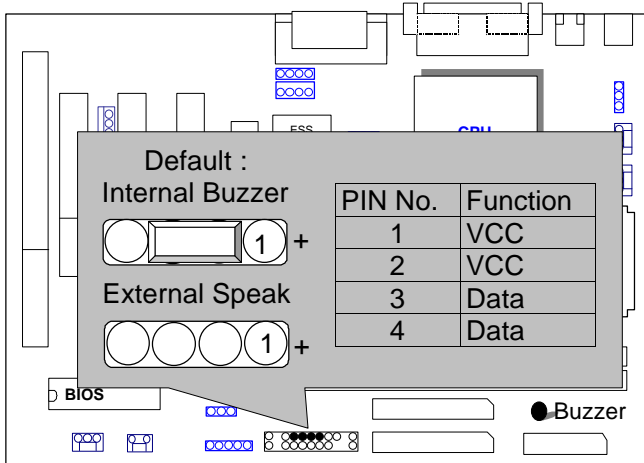




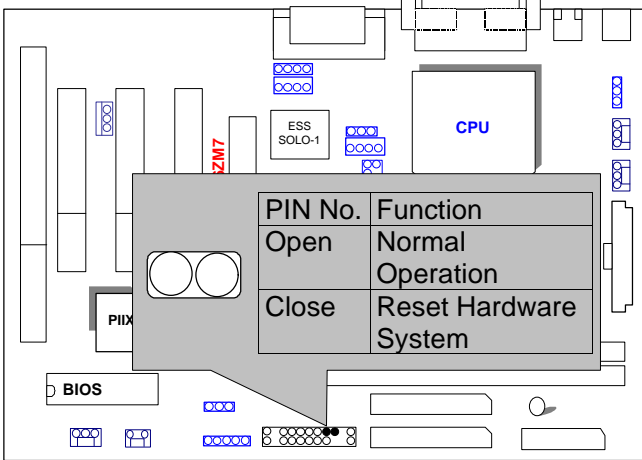
HD : IDE Hard Disk Active LED



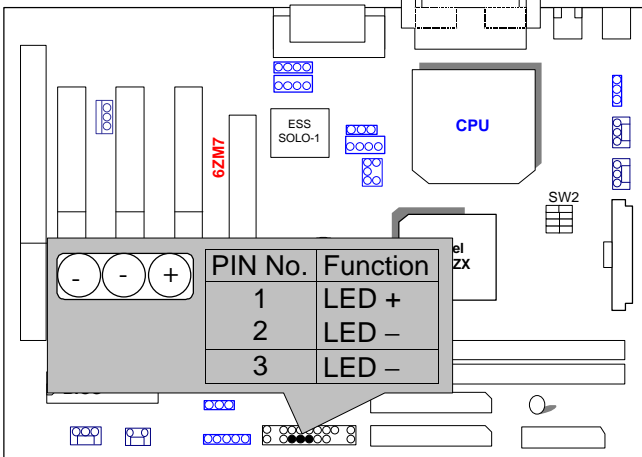
SPKR: External Speaker/ Internal Buzzer Connector



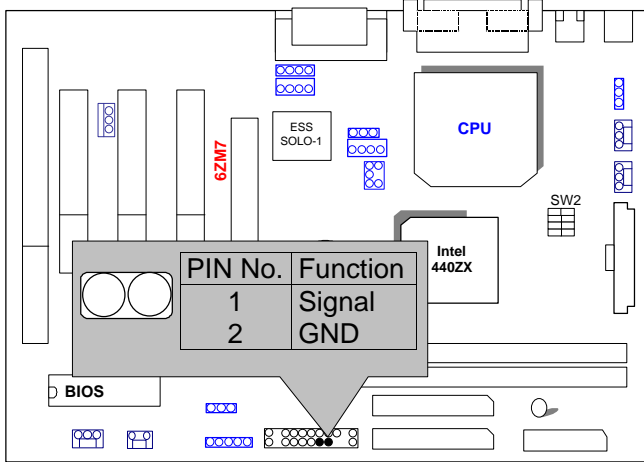
RES : Reset Switch



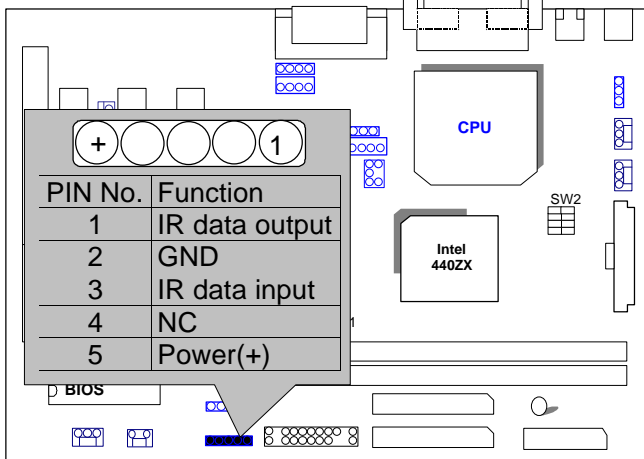
PWR : Power LED Connector (as 3 steps ACPI LED)



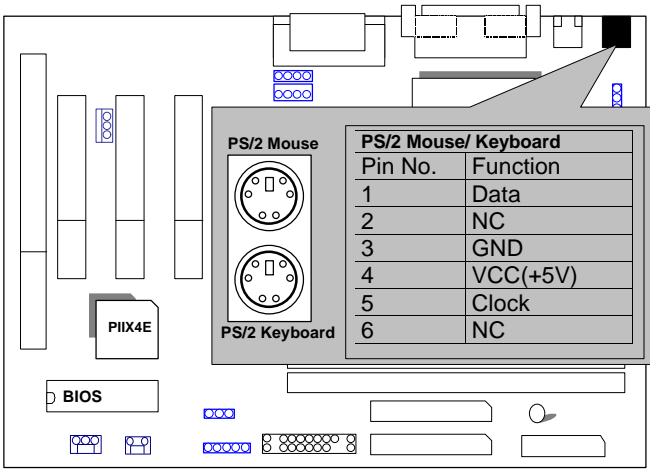
PW: Soft Power Connector



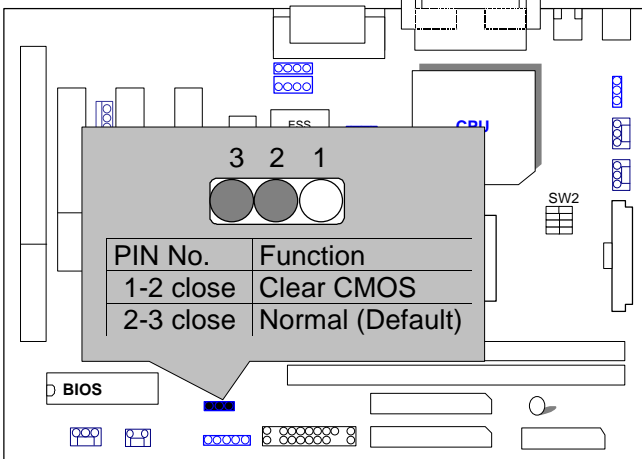
IR : Infrared Connector (Optional)



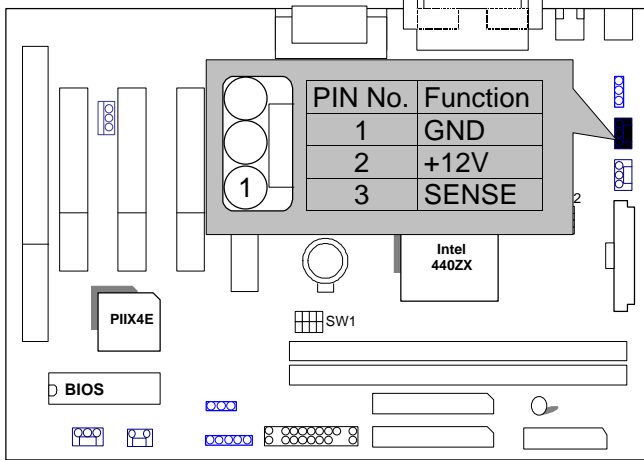
PS/2 Mouse / Keyboard Connector



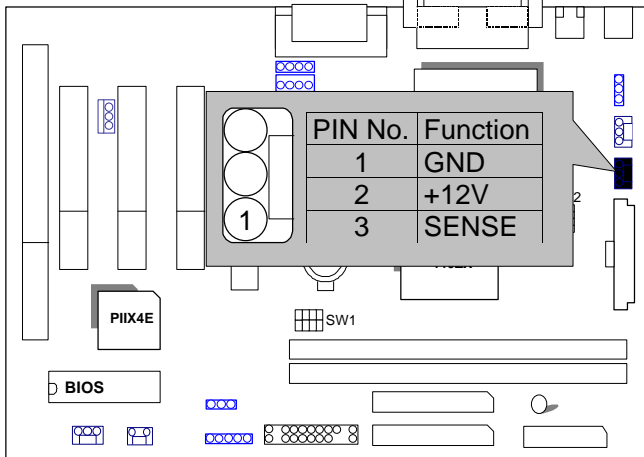
J13: CLEAR CMOS Function



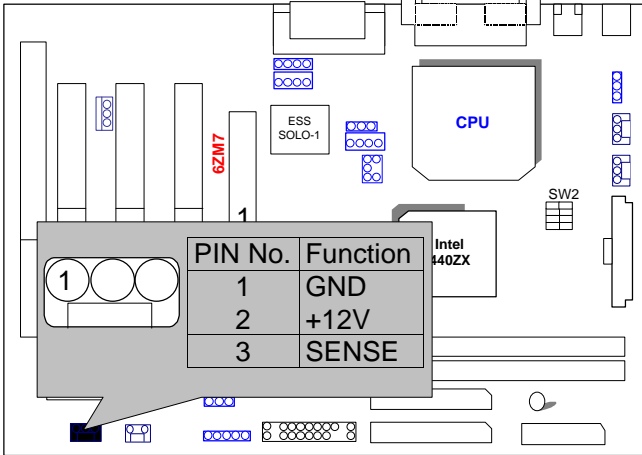
CPU FAN : CPU Cooling Fan Power Connector



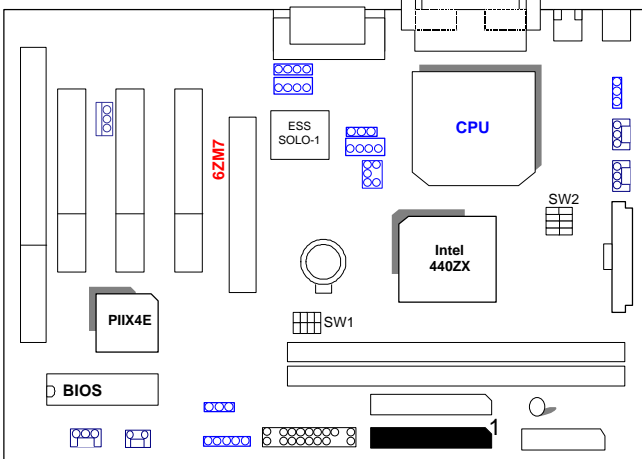
PWR FAN : POWER Cooling Fan Power Connector



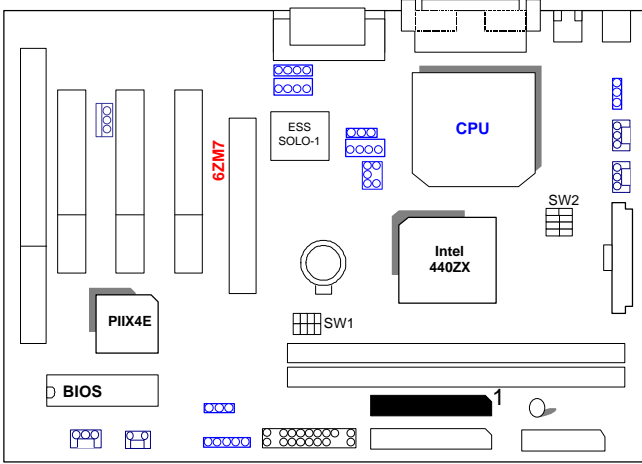
SYSTEM FAN : SYSTEM Cooling Fan Power Connector



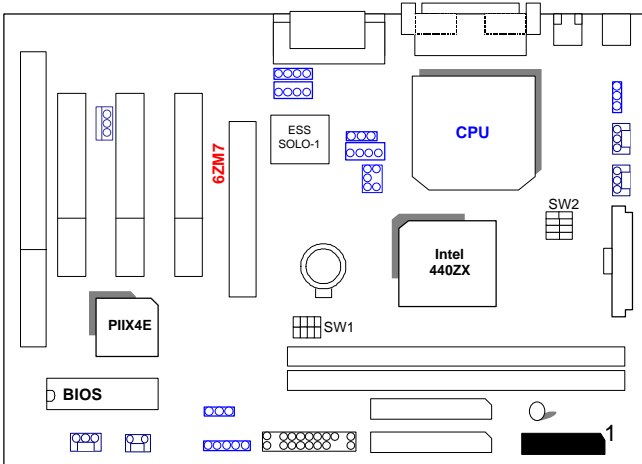
IDE1: For Primary IDE port



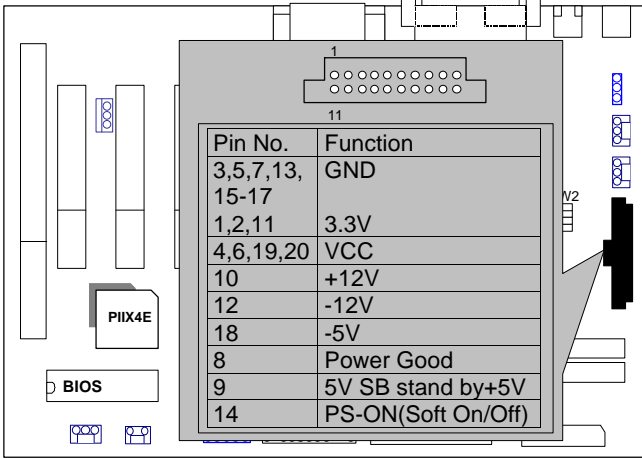
IDE2: For Secondary IDE port



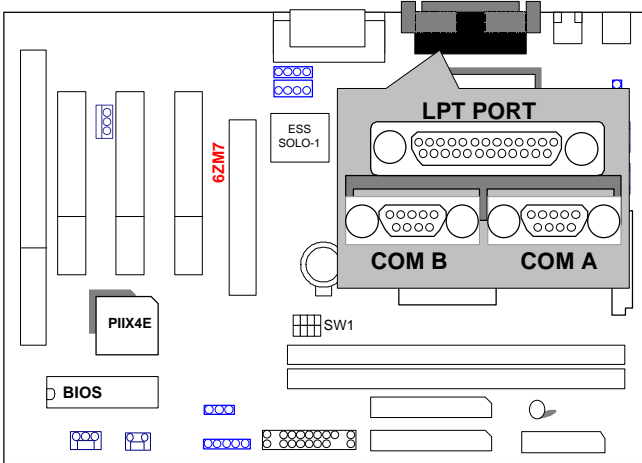
FLOPPY : FLOPPY PORT



ATX POWER : ATX POWER Connector

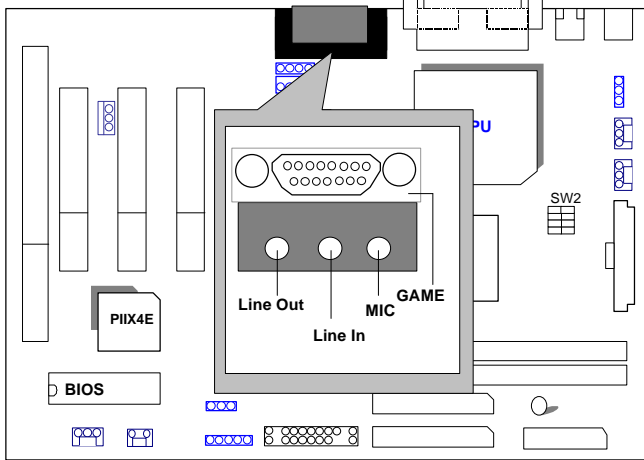


COM A / COM B / LPT PORT

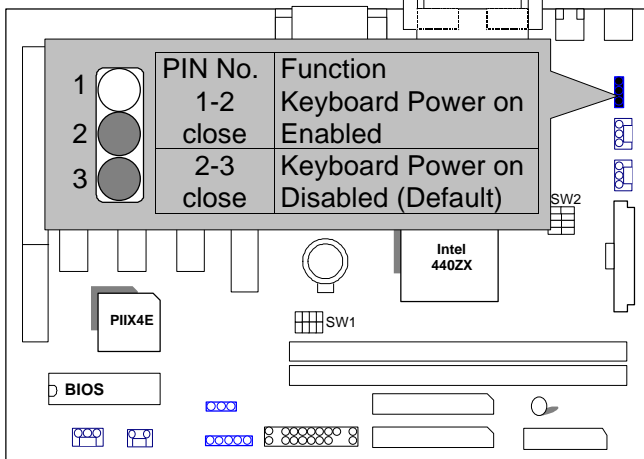




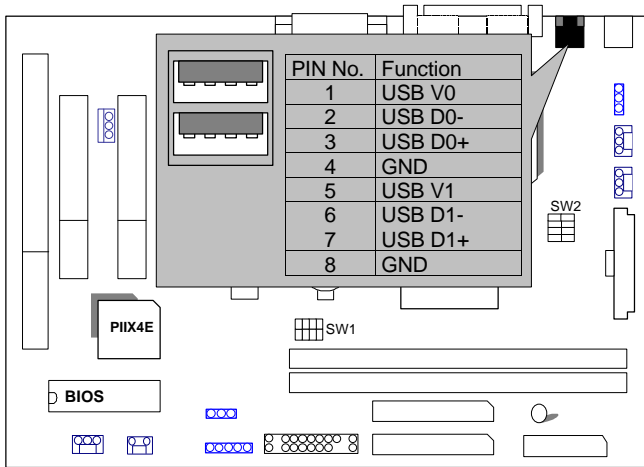
GAME & AUDIO PORT (Optional)



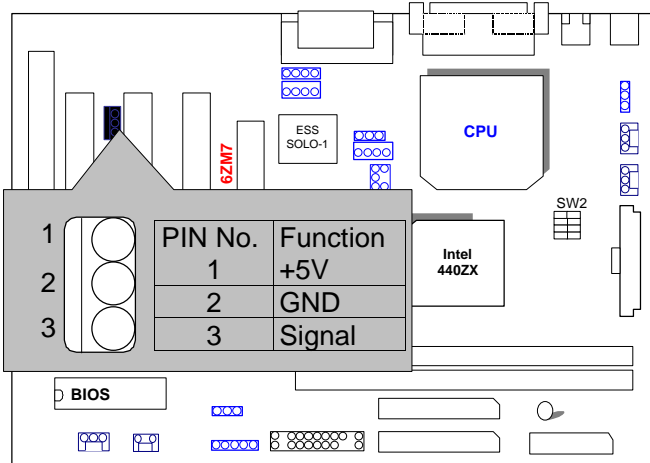
JP1 : Keyboard Power On Selection



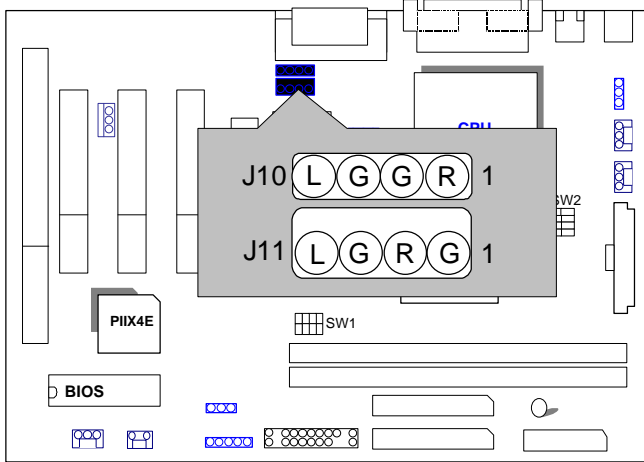
USB: USB Port



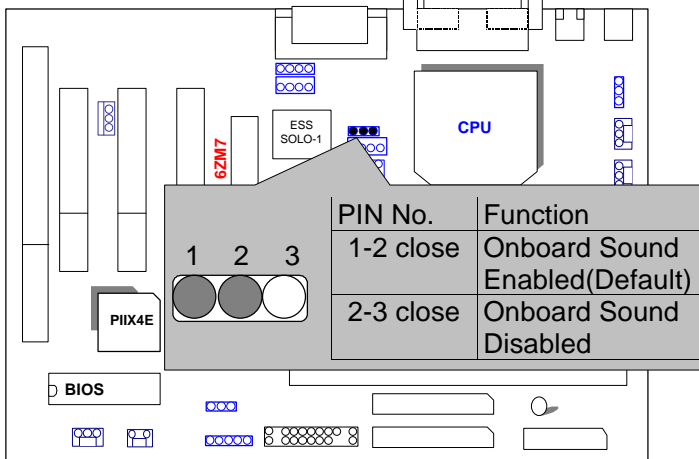
JP10: Wake on LAN



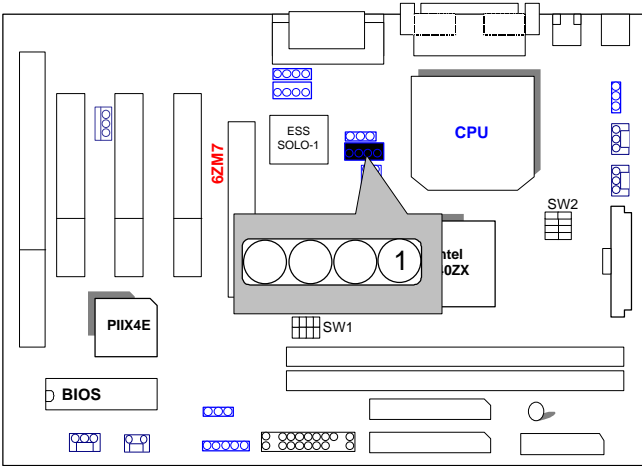
J10 & J11: CD Audio Line In (Optional)



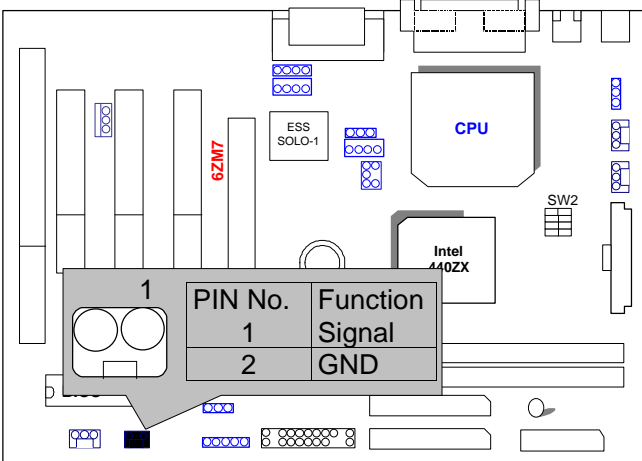
JP7: Onboard Sound Function Selection (Optional)



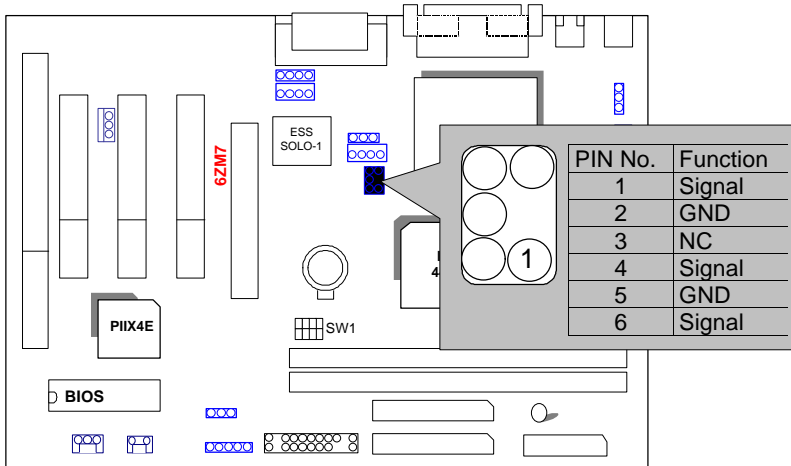
TEL: The connector is for Modem with internal voice connector.(Optional)



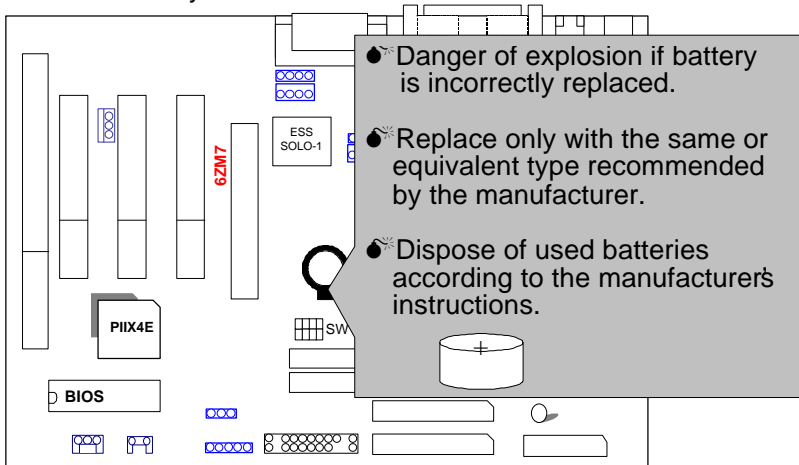
J14 RING PWR ON: Internal Modem Card Ring PWR On



JP5 :SB-LINK Creative PCI Sound Card Support(Optional)



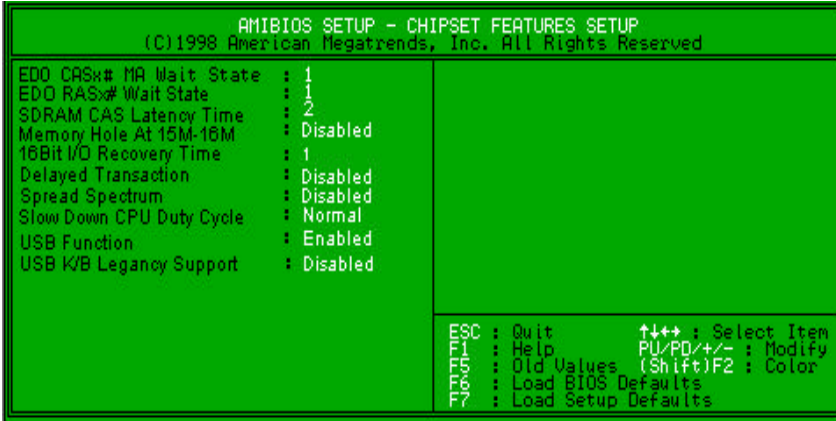
BAT1:For Battery



### III. Top Performance Test Setting:

The following performance data list is the testing results of some popular benchmark testing programs.

Users have to modify the value for each item in chipset features as follow



for top performance setting.

\*The above settings have to modify according to different kinds of CPU, SDRAM, and peripherals for your system to work properly.

These data are just referred by users, and there is no responsibility for different testing data values gotten by users. (The different Hardware & Software configuration will result in different benchmark testing results.)

- CPU Intel® Celeron™ 366MHz Socket 370 processor
- DRAM (128x 1) MB SDRAM (SEC KM48S8030BT-GH)
- CACHE SIZE 128 KB included in CPU
- DISPLAY GA-630 VOODOO BANSHEE (16MB SGRAM)
- STORAGE Onboard IDE (IBM DHEA 38451)
- O.S. Windows NT™4.0 SPK4
- DRIVER Display Driver at 1024 x 768 x 64k colors x 75Hz.  
TRIONES Bus Master IDE Driver 3.60

Processor	Intel® Celeron™ (Socket 370) 366MHz (66x5.5)
<b>Winbench99</b>	
CPU mark32	713
FPU Winmark	1970
Business Disk	4100
Hi-End Disk	10300
Business Graphics	176
Hi-End Graphics	326
<b>Winstone99</b>	
Business	26.9
Hi-End	24.4

