

SERVICE MANUAL

M375C / M385C

notebook



Notebook Computer

M375C/M385C

Service Manual

Notice

The company reserves the right to revise this publication or to change its contents without notice. Information contained herein is for reference only and does not constitute a commitment on the part of the manufacturer or any subsequent vendor. They assume no responsibility or liability for any errors or inaccuracies that may appear in this publication nor are they in anyway responsible for any loss or damage resulting from the use (or misuse) of this publication.

This publication and any accompanying software may not, in whole or in part, be reproduced, translated, transmitted or reduced to any machine readable form without prior consent from the vendor, manufacturer or creators of this publication, except for copies kept by the user for backup purposes.

Brand and product names mentioned in this publication may or may not be copyrights and/or registered trademarks of their respective companies. They are mentioned for identification purposes only and are not intended as an endorsement of that product or its manufacturer.

Version 1.0
July 2003

Trademarks

Intel[®] and **Pentium**[®] are registered trademarks of Intel Corporation.

Windows[®] is a registered trademark of Microsoft Corporation.

Other brand and product names are trademarks and./or registered trademarks of their respective companies.

About this Manual

This manual is intended for service personnel who have completed sufficient training to undertake the maintenance and inspection of personal computers.

It is organized to allow you to look up basic information for servicing and/or upgrading components of the *M375C/M385C* series notebook PC.

The following information is included:

Chapter 1, Introduction, provides general information about the location of system elements and their specifications.

Chapter 2, Disassembly, provides step-by-step instructions for disassembling parts and subsystems and how to upgrade elements of the system.

Appendix A, Part Lists

Appendix B, Schematic Diagrams

IMPORTANT SAFETY INSTRUCTIONS

When using your telephone equipment, basic safety precautions should always be followed to reduce the risk of fire, electric shock and injury to persons, including the following:

1. Do not use this product near water, for example near a bath tub, wash bowl, kitchen sink or laundry tub, in a wet basement or near a swimming pool.
2. Avoid using a telephone (other than a cordless type) during an electrical storm. There may be a remote risk of electrical shock from lightning.
3. Do not use the telephone to report a gas leak in the vicinity of the leak.
4. Use only the power cord and batteries indicated in this manual. Do not dispose of batteries in a fire. They may explode. Check with local codes for possible special disposal instructions.
5. This product is intended to be supplied by a Listed Power Unit (DC Output 20V, 3.25A).

CAUTION

Always disconnect all telephone lines from the wall outlet before servicing or disassembling this equipment.

**TO REDUCE THE RISK OF FIRE, USE ONLY NO. 26 AWG OR LARGER,
TELECOMMUNICATION LINE CORD**

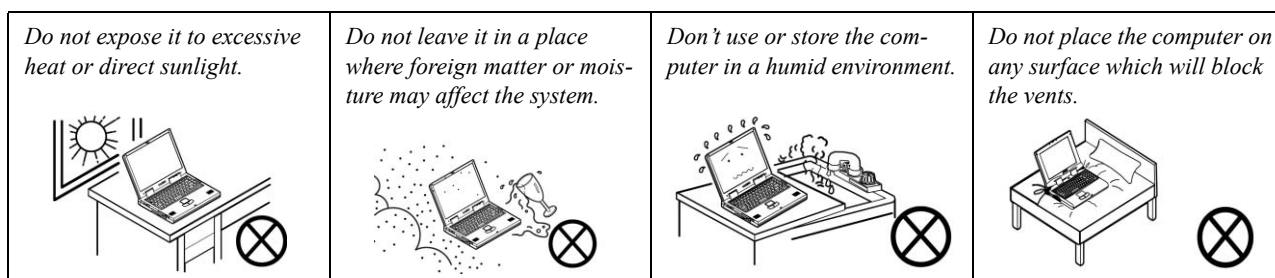
Instructions for Care and Operation

The notebook computer is quite rugged, but it can be damaged. To prevent this, follow these suggestions:

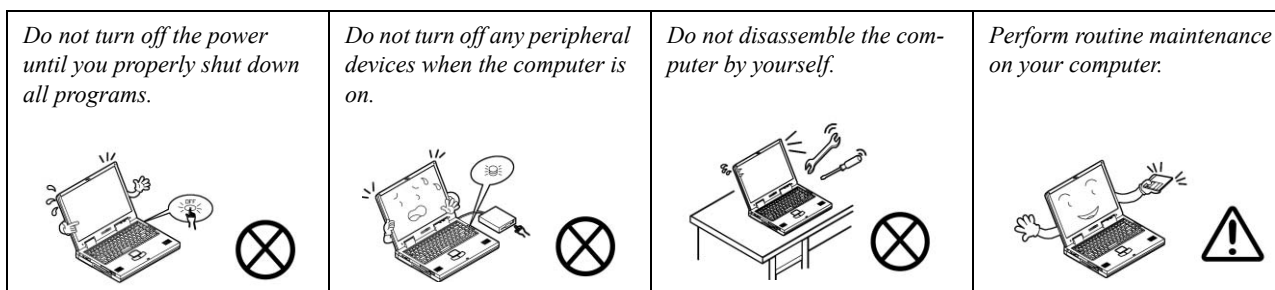
1. **Don't drop it, or expose it to shock.** If the computer falls, the case and the components could be damaged.



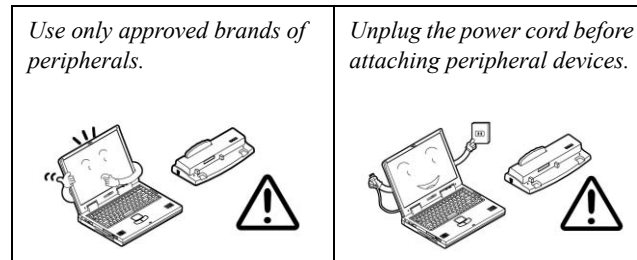
2. **Keep it dry, and don't overheat it.** Keep the computer and power supply away from any kind of heating element. This is an electrical appliance. If water or any other liquid gets into it, the computer could be badly damaged.



3. **Follow the proper working procedures for the computer.** Shut the computer down properly and don't forget to save your work. Remember to periodically save your data as data may be lost if the battery is depleted.



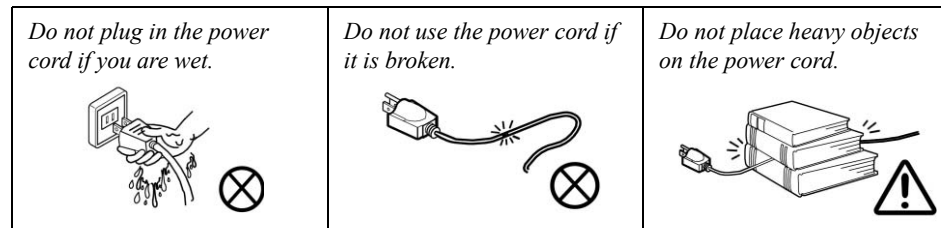
4. **Avoid interference.** Keep the computer away from high capacity transformers, electric motors, and other strong magnetic fields. These can hinder proper performance and damage your data.
5. **Take care when using peripheral devices.**



Power Safety

The computer has specific power requirements:

- Only use a power adapter approved for use with this computer.
- Your AC adapter may be designed for international travel but it still requires a steady, uninterrupted power supply. If you are unsure of your local power specifications, consult your service representative or local power company.
- The power adapter may have either a 2-prong or a 3-prong grounded plug. The third prong is an important safety feature; do not defeat its purpose. If you do not have access to a compatible outlet, have a qualified electrician install one.
- When you want to unplug the power cord, be sure to disconnect it by the plug head, not by its wire.
- Make sure the socket and any extension cord(s) you use can support the total current load of all the connected devices.
- Before cleaning the computer, make sure it is disconnected from any external power supplies.



Power Safety Warning

Before you undertake any upgrade procedures, make sure that you have turned off the power, and disconnected all peripherals and cables (including telephone lines). It is advisable to also remove your battery in order to prevent accidentally turning the machine on.

Battery Precautions

- Only use batteries designed for this computer. The wrong battery type may explode, leak or damage the computer.
- Recharge the batteries using the notebook's system. Incorrect recharging may make the battery explode.
- Do not try to repair a battery pack. Refer any battery pack repair or replacement to your service representative or qualified service personnel.
- Keep children away from, and promptly dispose of a damaged battery. Always dispose of batteries carefully. Batteries may explode or leak if exposed to fire, or improperly handled or discarded.
- Keep the battery away from metal appliances.
- Affix tape to the battery contacts before disposing of the battery.
- Do not touch the battery contacts with your hands or metal objects.



Battery Disposal

The product that you have purchased contains a rechargeable battery. The battery is recyclable. At the end of its useful life, under various state and local laws, it may be illegal to dispose of this battery into the municipal waste stream. Check with your local solid waste officials for details in your area for recycling options or proper disposal.

Caution

Danger of explosion if battery is incorrectly replaced. Replace only with the same or equivalent type recommended by the manufacturer. Discard used battery according to the manufacturer's instructions.

Related Documents

You may also need to consult the following manual for additional information:

User's Manual on CD

This describes the notebook PC's features and the procedures for operating the computer and its ROM-based setup program. It also describes the installation and operation of the utility programs provided with the notebook PC.

Contents

Introduction	1-1	Disassembly	2-1
Overview	1-1	Overview	2-1
System Specifications	1-2	Maintenance Tools	2-2
Processor Options	1-2	Connections	2-2
Core Logic	1-2	Maintenance Precautions	2-3
Structure	1-2	Disassembly Steps	2-4
Security	1-2	Removing the Battery	2-5
Memory	1-2	Removing the Hard Disk Drive and Wireless LAN	2-6
BIOS	1-2	Removing the System Memory (RAM)	2-8
LCD	1-2	Removing the CD Device	2-9
Display	1-2	Removing the Modem	2-10
Storage	1-2	Removing the Processor	2-11
PC Card	1-3	Part Lists	A-1
Audio	1-3	Part List Illustration Location	A-2
Keyboard	1-3	Top (M375C)	A-3
Interface	1-3	Bottom (M375C)	A-4
Communication	1-3	LCD (M375C)	A-5
Power Management	1-3	Card Reader (M375C)	A-6
Power	1-3	CD-ROM Drive - QSI-TEAC (M375C)	A-7
Indicators	1-3	CD-RW Drive - TEAC (M375C)	A-8
Buttons	1-4	Combo Drive - TEAC (M375C)	A-9
Environmental Spec	1-4	DVD-ROM Drive - TEAC-TOSHIBA (M375C)	A-10
Physical Dimensions	1-4	DVD-RW Drive - TOSHIBA (M375C)	A-11
Weight	1-4	Top (M385C)	A-12
Optional	1-4	Bottom (M385C)	A-13
External Locator - Top View with LCD Panel Open	1-5	LCD (M385C)	A-14
External Locator - Front & Left Side Views	1-6	Card Reader (M385C)	A-15
External Locator - Right Side & Rear Views	1-7	CD-ROM Drive - QSI-TEAC (M385C)	A-16
External Locator - Bottom View	1-8	CD-RW Drive - TEAC (M385C)	A-17

Preface

Combo Drive - TEAC (M385C)	A-18
DVD-ROM Drive - TEAC-TOSHIBA (M385C)	A-19
DVD-RW Drive - TOSHIBA (M385C)	A-20

Schematic Diagrams..... B-1

System Block Diagram	B-2
Socket 479 - 1 of 2	B-3
Socket 479 - 2 of 2	B-4
Montara GM-1	B-5
Montara GM-2	B-6
Montara GM-3	B-7
DDRAM	B-8
DDR Termination	B-9
Clock Generator	B-10
LVDS; CRT	B-11
ICH4-1 (1 of 3)	B-12
ICH4-2 (2 of 3)	B-13
ICH4-3 (3 of 3)	B-14
USB 2.0, Wireless LAN	B-15
MDC, BT, CCT	B-16
HDD, CDROM	B-17
LAN RTL8100BL	B-18
ROM, W517	B-19
TI1394 (TSB43AB21)	B-20
Hitachi H8S	B-21
CON	B-22
Audio Codec ALC201	B-23
PCMCIA (ENE1410)	B-24
PCMCIA Socket	B-25
AC IN; Power Button	B-26
CH7011; TV-Out	B-27
V_CORE	B-28


Charger	B-29
Multi-Function Board	B-30

1: Introduction

Overview

This manual covers the information you need to service or upgrade the *M375C/M385C* series notebook computer. Information about operating the computer (e.g. getting started, and the *Setup* utility) is in the *User's Manual*. Information about drivers (e.g. VGA & audio) is also found in *User's Manual*. That manual is shipped with the computer.

Operating systems (e.g. *DOS*, *Windows 9x*, *Windows NT 4.0*, *Windows 2000*, *Windows XP*, *OS/2 Warp*, *UNIX*, etc.) have their own manuals as do application software (e.g. word processing and database programs). If you have questions about those programs, you should consult those manuals.

The *M375C/M385C* series notebook is designed to be upgradeable. See *“Disassembly” on page 2 - 1* for a detailed description of the upgrade procedures for each specific component. Please note the warning and safety information indicated by the “” symbol.

The balance of this chapter reviews the computer's technical specifications and features.

System Specifications

Processor Options

- Mobile Intel Pentium 4 Processor-M
 - (478-pin) uFC-PGA package
 - (μ0.13) 0.13 Micron Process Technology,
 - 1.3/ 1.4/ 1.5/ 1.6/ 1.7 GHz

Core Logic

- Intel 855GM + ICH4-M

Structure

- PC2001 Compliant
- PCI 2.2 Compliant
- ACPI 2.0 Compliant

Security

- Security (Kensington® Type) Lock Slot
- BIOS Password

Memory

- Two 200-pin SODIMM sockets, supporting 200/266 MHz DDR modules
- Memory expandable up to 1GB (128/ 256/ 512 MB DDR modules)

BIOS

- One 512KB Flash ROM
- Insyde BIOS, Plug and Play (1.0a)

LCD

- 15.4" WXGA Flat Panel TFT
- 16:10 Aspect Ratio
- 1280*800 Resolution

Display

- Dynamic Video Memory Technology
- 128 bit 2D/3D Graphics Engine
- Motion Compensation for DVD Accelerator
- Fully DirectX 7/8 Compliant Graphics Engine
- Supports VESA DDCI, DDC2B and DDC 3.0 Specifications



Video Memory

The system allocates or "shares" a portion of system memory for video use. "Shared" memory is user-configurable via the SCU. The default setting is set to 8MB.

Storage

- One changeable 12.7mm(h) Optical Drive
 - Easy changeable 2.5" 9.5 mm (h) HDD
- Supports Master Mode IDE
Supports LBA Mode
Supports PIO Mode 4
ATA-33/66/100

PC Card

- One Type-II PCMCIA 3.3V/5V Socket

Audio

- AC'97 2.2 Compliant
- Advanced Wavetable Synthesizer
- DirectSound™ 3D Accelerator
- Full-duplex
- S/P DIF Digital Output
- Built-In Microphone
- 5 Built-In Speakers

Keyboard

- A4 Size Win 95 Keyboard (3mm travelling)
- Built-In TouchPad with Scrolling Function

Interface

- Two USB 2.0 Ports
- One USB 1.1 Port
- One Mini- IEEE 1394 Port
- One External CRT Monitor Port
- One Headphone-Out Jack
- One Microphone-In Jack
- One S/P DIF Output Jack
- One TV-Out Jack
- One RJ-11 Jack for Plug & Play Fax/Modem
- One RJ-45 Jack for 10M/ 100M Fast Ethernet
- One DC-in jack

Communication

- 56K Plug & Play Fax/Modem V.90/92 Compliant
- 10M/100M (Max) Fast Ethernet (IEEE 802.3 and 802.3u Standard Compliant)
- PC Camera with USB Interface (**Optional**)
- Intel PRO Wireless LAN 2100 (802.11b) Module with PCI interface
- Bluetooth 1.1 with MDC Interface (**Optional**)

Power Management

- Supports ACPI 2.0
- Power Button as Sleep/Resume Key
- Supports Hibernate Mode
- Supports Standby Mode
- Supports Battery Low Sleep Mode
- Supports Resume From Modem Ring
- Supports Wake on LAN

Power

- Full Range AC Adapter
AC-Input 100~240V, 47~63Hz
DC Output 20V, 3.25A (**65W**)
- One 6 Cell, 48 Watt, Smart Lithium-Ion Battery Pack -
Approx 3 Hours Battery Life
- One 12 Cell, 96 Watt, Smart Lithium-Ion Battery Pack
(**Optional**) - Approx 6 Hours battery life

Indicators

- LED Indicators (Power/Suspend, Battery, HDD/CD-ROM, Num Lock, Caps Lock, Scroll Lock, E-Mail, Wireless LAN & Bluetooth)

Introduction

Buttons

- E-Mail
- Internet Browser
- Power
- Module On/Off Button

Environmental Spec

- Temperature
 - Operating: 5°C ~ 35°C
 - Non-Operating: -20°C ~ 60°C
- Relative Humidity
 - Operating: 20% ~ 80%
 - Non-Operating: 10% ~ 90%

Physical Dimensions

- 360mm (w) * 273mm (d) * 27.5mm (h) Min

Weight

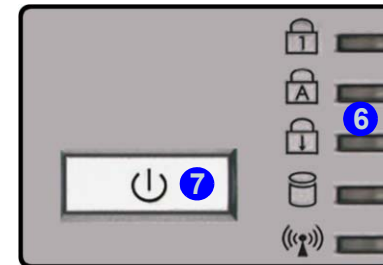
- 2.8kg with 6 cell Battery

Optional

- Standard Smart Lithium-Ion (48Watt) Battery Pack
- Bluetooth 1.1 + MDC Module
- Extended Smart Lithium-Ion (96Watt) Battery Pack
- PC Camera with USB Interface

External Locator - Top View with LCD Panel Open

Figure 1
Top View



1. Optional Built-In PC Camera
2. LCD
3. LED Power & Communication Indicators
4. Speakers
5. Close Cover Switch
6. LED Status Indicators
7. Power Button
8. Keyboard
9. Built-In Microphone
10. TouchPad and Buttons
11. Hot-Key Buttons

Introduction

Figure 2
Front View

1. LCD Latches
2. Hot-Key Buttons

External Locator - Front & Left Side Views



Figure 3
Left Side View

1. Vent
2. External Monitor (CRT) Port
3. S-Video-Out Port
4. RJ-11 Phone Jack
5. RJ-45 LAN Jack
6. 2 * USB 2.0 Ports
7. Mini-IEEE 1394 Port
8. PC Card Slot
9. PC Card Slot Eject Button



External Locator - Right Side & Rear Views



Figure 4
Right Side View

1. Microphone-In Jack
2. Headphone-Out Jack
3. S/P DIF Out Port
4. CD Device Bay
5. DC-In Jack

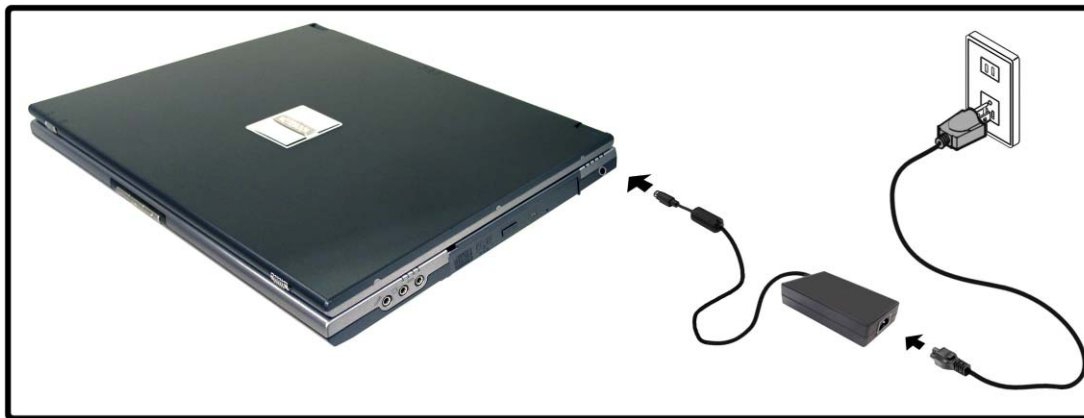


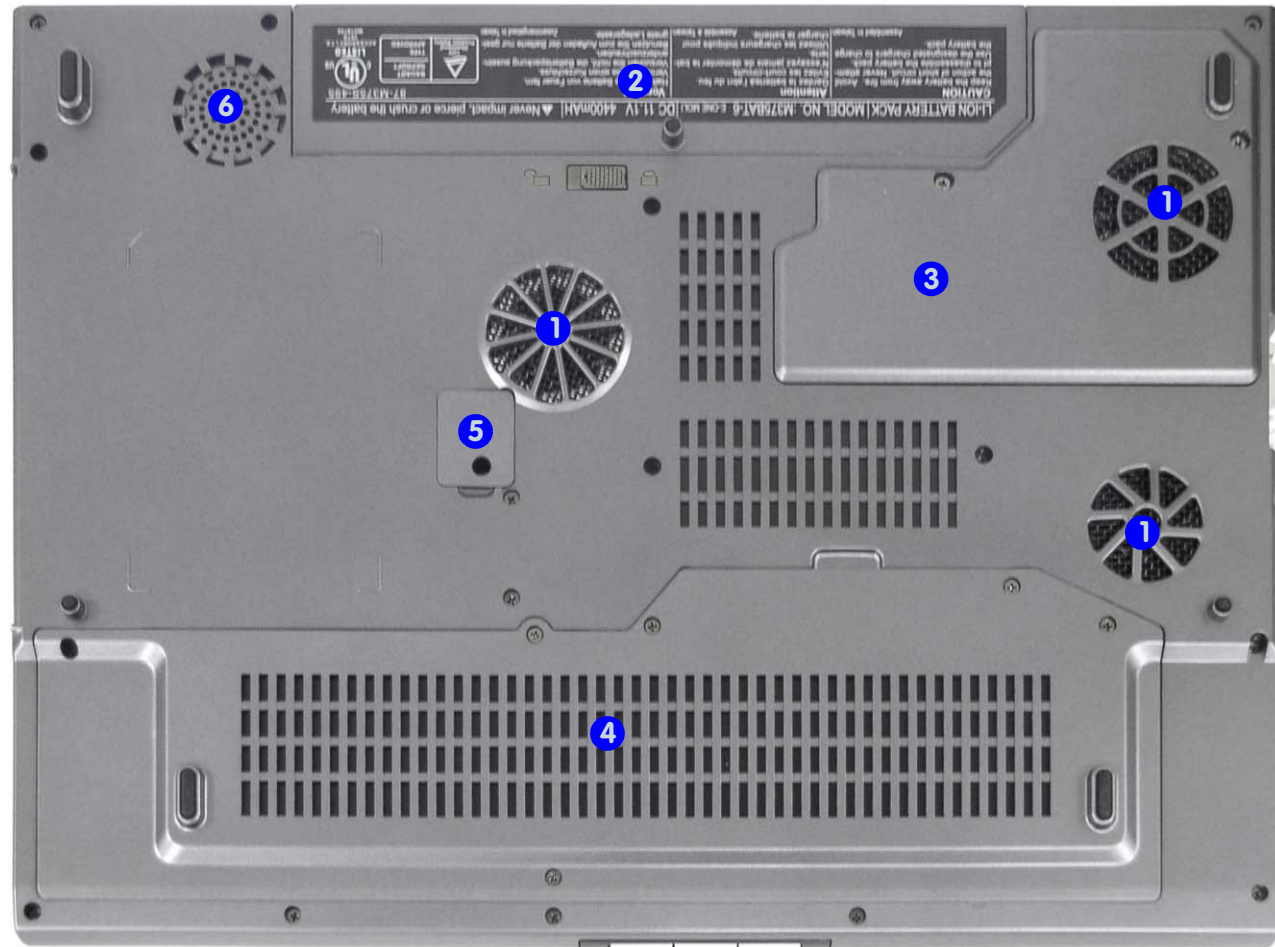
Figure 5
Rear View

1. Security Lock Slot
2. 1 * USB 1.1 Port
3. Vent

External Locator - Bottom View

Figure 6
Bottom View

1. Fan Intakes
2. Battery
3. CPU Cover
4. Hard Disk, RAM, WLAN & Bluetooth Module Cover
5. CD Device Removal Cover
6. Sub-Woofer




2: Disassembly



Overview

This chapter provides step-by-step instructions for disassembling the *M375C/M385C* series notebook's parts and sub-systems. When it comes to reassembly, reverse the procedures (unless otherwise indicated).

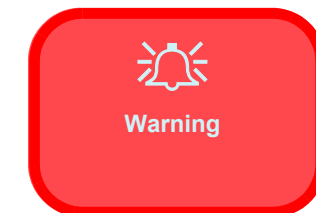
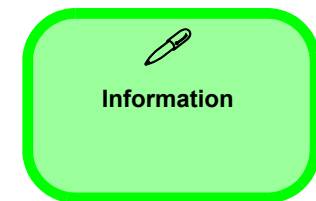
We suggest you completely review any procedure before you take the computer apart.

Procedures such as upgrading/replacing the RAM, CD device and hard disk are included in the User's Manual but are repeated here for your convenience.

To make the disassembly process easier each section may have a box in the page margin. Information contained under the figure # will give a synopsis of the sequence of procedures involved in the disassembly procedure. A box with a  lists the relevant parts you will have after the disassembly process is complete. **Note:** The parts listed will be for the disassembly procedure listed ONLY, and not any previous disassembly step(s) required. Refer to the part list for the previous disassembly procedure. The amount of screws you should be left with will be listed here also.

A box with a  will also provide any possible helpful information. A box with a  contains warnings.

An example of these types of boxes are shown in the sidebar.



Disassembly

NOTE: All disassembly procedures assume that the system is turned **OFF**, and disconnected from any power supply (the battery is removed too).

Maintenance Tools

The following tools are recommended when working on the notebook PC:

- M3 Philips-head screwdriver
- M2.5 Philips-head screwdriver (magnetized)
- M2 Philips-head screwdriver
- Small flat-head screwdriver
- Pair of needle-nose pliers
- Anti-static wrist-strap

Connections

Connections within the computer are one of four types:

Locking collar sockets for ribbon connectors	To release these connectors, use a small flat-head screwdriver to gently pry the locking collar away from its base. When replacing the connection, make sure the connector is oriented in the same way. The pin1 side is usually not indicated.
Pressure sockets for multi-wire connectors	To release this connector type, grasp it at its head and gently rock it from side to side as you pull it out. Do not pull on the wires themselves. When replacing the connection, do not try to force it. The socket only fits one way.
Pressure sockets for ribbon connectors	To release these connectors, use a small pair of needle-nose pliers to gently lift the connector away from its socket. When replacing the connection, make sure the connector is oriented in the same way. The pin1 side is usually not indicated.
Board-to-board or multi-pin sockets	To separate the boards, gently rock them from side to side as you pull them apart. If the connection is very tight, use a small flat-head screwdriver - use just enough force to start.

Maintenance Precautions

The following precautions are a reminder. To avoid personal injury or damage to the computer while performing a removal and/or replacement job, take the following precautions:

1. **Don't drop it.** Perform your repairs and/or upgrades on a stable surface. If the computer falls, the case and other components could be damaged.
2. **Don't overheat it.** Note the proximity of any heating elements. Keep the computer out of direct sunlight.
3. **Avoid interference.** Note the proximity of any high capacity transformers, electric motors, and other strong magnetic fields. These can hinder proper performance and damage components and/or data. You should also monitor the position of magnetized tools (i.e. screwdrivers).
4. **Keep it dry.** This is an electrical appliance. If water or any other liquid gets into it, the computer could be badly damaged.
5. **Be careful with power.** Avoid accidental shocks, discharges or explosions.
 - Before removing or servicing any part from the computer, turn the computer off and detach any power supplies.
 - When you want to unplug the power cord or any cable/wire, be sure to disconnect it by the plug head. Do not pull on the wire.
6. **Peripherals** – Turn off and detach any peripherals.
7. **Beware of static discharge.** ICs, such as the CPU and main support chips, are vulnerable to static electricity. Before handling any part in the computer, discharge any static electricity inside the computer. When handling a printed circuit board, do not use gloves or other materials which allow static electricity buildup. We suggest that you use an anti-static wrist strap instead.
8. **Beware of corrosion.** As you perform your job, avoid touching any connector leads. Even the cleanest hands produce oils which can attract corrosive elements.
9. **Keep your work environment clean.** Tobacco smoke, dust or other air-borne particulate matter is often attracted to charged surfaces, reducing performance.
10. **Keep track of the components.** When removing or replacing any part, be careful not to leave small parts, such as screws, loose inside the computer.

Cleaning

Do not apply cleaner directly to the computer, use a soft clean cloth.

Do not use volatile (petroleum distillates) or abrasive cleaners on any part of the computer.



Power Safety Warning

Before you undertake any upgrade procedures, make sure that you have turned off the power, and disconnected all peripherals and cables (including telephone lines). It is advisable to also remove your battery in order to prevent accidentally turning the machine on.

Disassembly Steps

The following table lists the disassembly steps, and on which page to find the related information. **PLEASE PERFORM THE DISASSEMBLY STEPS IN THE ORDER INDICATED.**

To remove the Battery:

1. Remove the battery *page 2 - 5*

To remove the HDD & WLAN:

1. Remove the battery *page 2 - 5*
2. Remove the HDD & WLAN *page 2 - 6*

To remove the System Memory:

1. Remove the battery *page 2 - 5*
2. Remove the system memory *page 2 - 8*

To remove the CD Device:

1. Remove the battery *page 2 - 5*
2. Remove the CD device *page 2 - 9*

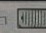
To remove the Modem:

1. Remove the battery *page 2 - 5*
2. Remove the modem *page 2 - 10*

To remove the Processor:

1. Remove the battery *page 2 - 5*
2. Remove the processor *page 2 - 11*

Removing the Battery

1. Turn the computer **off**, and turn it over.
2. Locate the battery bay at point **1** (*Figure 1a*).
3. Slide the battery lock **2** in the direction of the arrow (towards the unlock symbol , and hold it in place as shown in *Figure 1b*).
4. Slide the Battery **3** out of the computer's battery bay (*Figure 1c*).

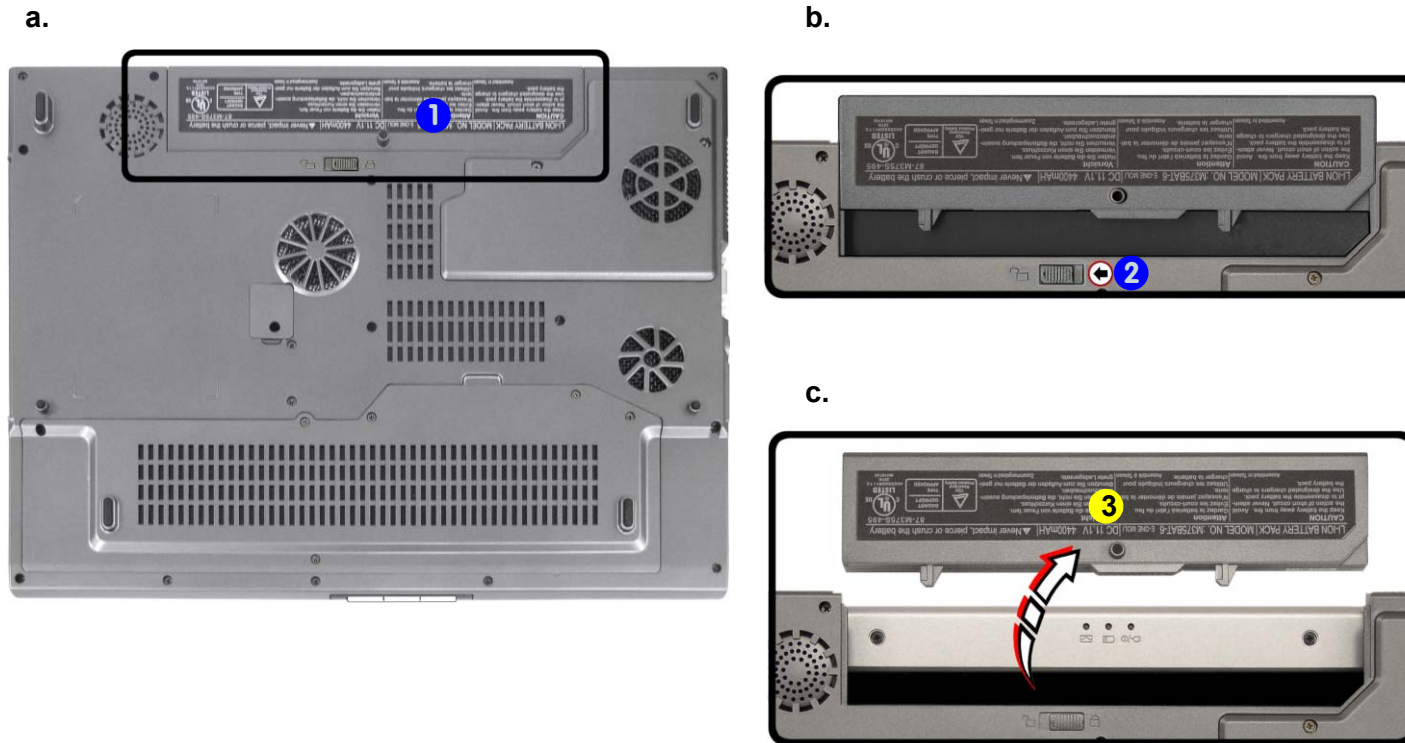
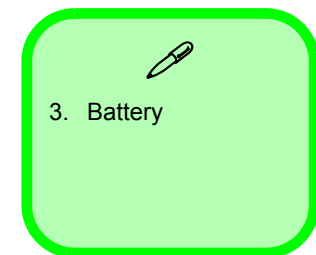


Figure 1
Battery Removal

- a. Locate the battery release latch.
- b. Slide the latch to the left and hold.
- c. Slide the battery out.



Removing the Hard Disk Drive and Wireless LAN

Figure 2
HDD Assembly &
Wireless LAN
Removal

The hard disk drive is mounted in a removable case and can be taken out to accommodate other 2.5" IDE hard disk drives with a height of 9.5mm (h). Follow your operating system's installation instructions, and install all necessary drivers and utilities (as outlined in **Chapter 4 of the User's Manual**) when setting up a new hard disk.

Hard Disk Upgrade Process

- a. Locate bay cover
 - b. Remove the 6 screws.
 - c. Remove the cover.
1. Turn **off** the computer, and turn it over and remove the battery ([page 2 - 5](#)).
 2. Locate the hard disk and memory (RAM) bay cover **1**.
 3. Remove screws **2 - 7**.
 4. Remove the bay cover **8**.



HDD System Warning

New HDD's are blank. Before you begin make sure:

You have backed up any data you want to keep from your old HDD.

You have all the CD-ROMs and FDDs required to install your operating system and programs.

If you have access to the internet, download the latest application and hardware driver updates for the operating system you plan to install. Copy these to a removable medium.

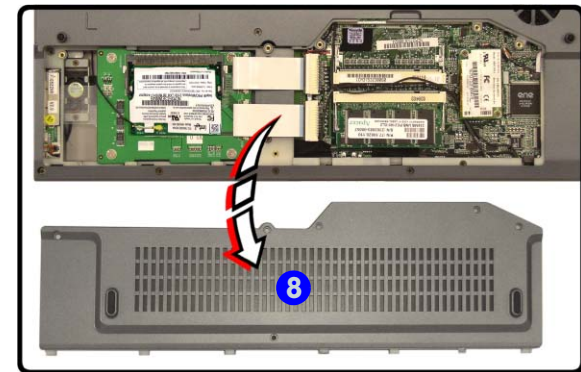


- 7. Bay Cover
- 6 Screws

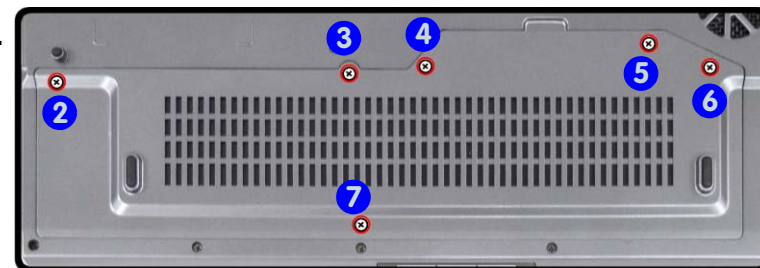
a.



c.



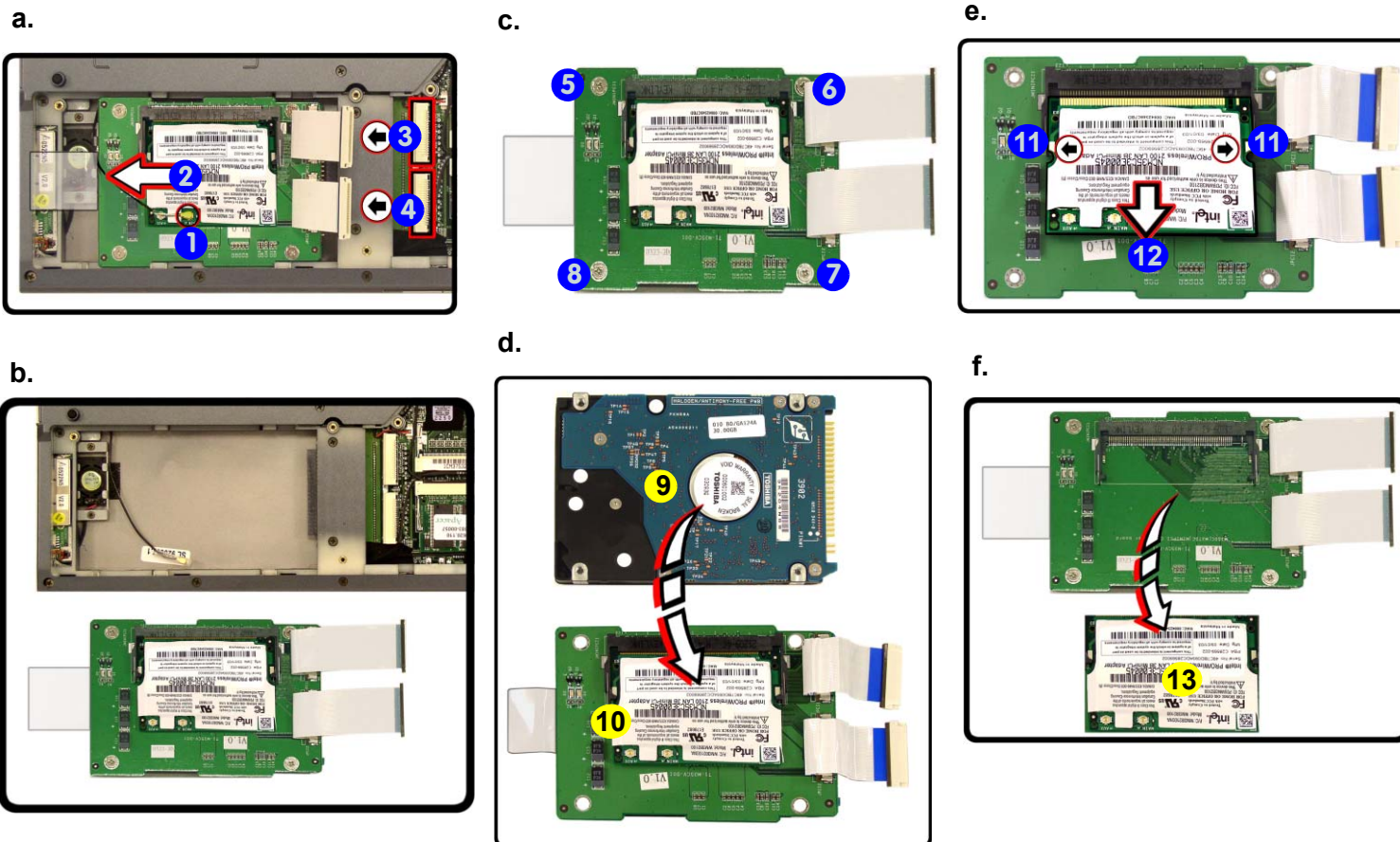
b.



5. Carefully disconnect the Wireless LAN antenna cable **1**, and slide the hard disk assembly in the direction of the arrow **2** (*Figure 3a*).
6. Carefully lift the hard disk assembly up out off the computer (the cables **3** & **4** will be released as you lift out the hard disk and Mini-PCI board).
7. Remove screws **5** - **8** in order to separate the Mini-PCI board **10** from the hard disk **9** (*Figure 3c*).
8. Pull the release latches **11** on the side of the Wireless LAN module as indicated by the arrow **11** (*Figure 3e*).
9. The Wireless LAN module **13** will pop-up, and you can remove it (*Figure 3f*).
10. Reverse the process to install a new hard disk (pay careful attention to the orientation of the disk in the case) or replace the Wireless LAN module.

Figure 3
**HDD Assembly &
 Wireless LAN
 Removal (Cont.)**

- a. Disconnect antenna cable and slide out the HDD assembly.
- b. Lift the HDD assembly out of the bay.
- c. Remove the screws.
- d. Separate the Mini PCI board and HDD.
- e. Pull the release latches.
- f. Remove the Wireless LAN module from the Mini PCI board.



✍️

9. Hard Disk
 10. Mini PCI Board
 13. Wireless LAN Module

- 4 Screws

Removing the System Memory (RAM)

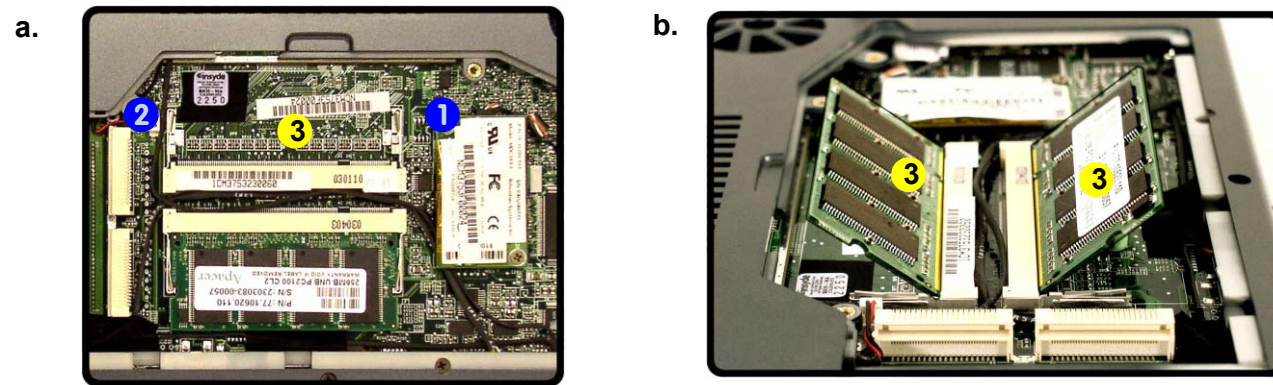
Figure 4
**Removing/
Installing a RAM
Module**

- Pull the release latches.
- Remove the module.

The computer has two memory sockets for 200 pin Small Outline Dual In-line Memory Modules (SO-DIMM) supporting DDR 200/266/333MHz. The main memory can be expanded up to 1024MB. The SO-DIMM modules supported are 128Mb, 256Mb, and 512Mb. The total memory size is automatically detected by the POST routine once you turn on your computer.

Memory Upgrade Process

- Turn **off** the computer, remove the battery ([page 2 - 5](#)) and the bay cover ([page 2 - 6](#)).
- Gently pull the two release latches (1 & 2) on the sides of the memory socket toward the sides of the computer.



- The RAM module 3 ([Figure 4b](#)) will pop-up, and you can remove it.
- Pull the latches to release the second module if necessary.
- Insert a new module holding it at about a 30° angle and fit the connectors firmly into the memory slot.
- The module will only fit one way as defined by its pin alignment. Make sure the module is seated as far into the slot as it will go. **DO NOT FORCE IT**; it should fit without much pressure.
- Press the module down towards the mainboard until the slot levers click into place to secure the module.
- Replace the memory socket cover and the 6 screws (see [page 2 - 6](#)).
- Restart the computer to allow the BIOS to register the new memory configuration as it starts up.



Contact Warning

Be careful not to touch the metal pins on the module's connecting edge. Even the cleanest hands have oils which can attract particles, and degrade the module's performance.



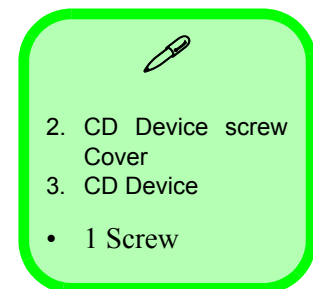
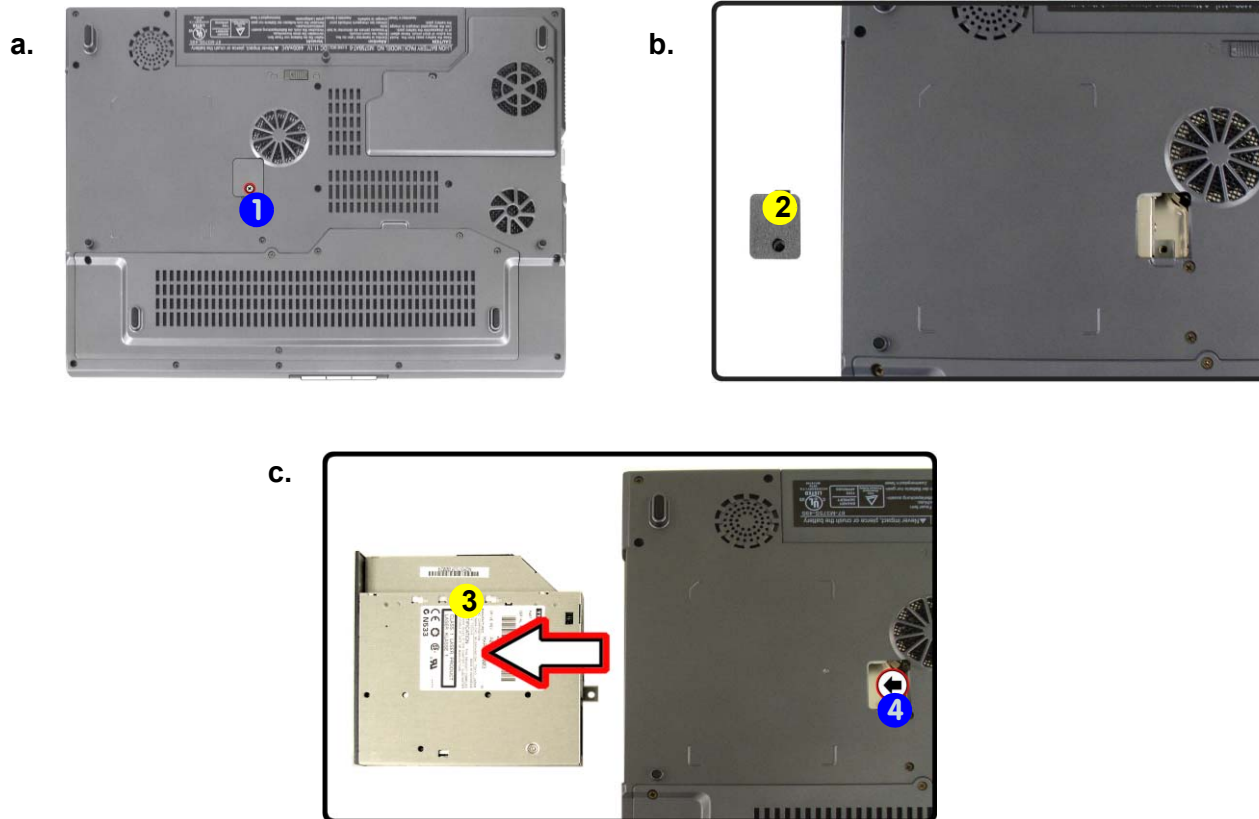
3. RAM Module

Removing the CD Device

1. Turn **off** the computer, and turn it over and remove the battery ([page 2 - 5](#)).
2. Remove screw **1** ([Figure 5a](#)) and carefully lift up the CD device screw cover **2** ([Figure 5b](#)).
3. Apply pressure at point **4** to push the CD device **3** out of the computer ([Figure 5c](#)).
4. Insert the new device and carefully slide it into the computer (the device only fits one way. **DO NOT FORCE IT**; The screw holes should line up).
5. Reverse the process to install the new device.
6. Restart the computer to allow it to automatically detect the new device.

Figure 5
CD Device Removal

- a. Remove the screws.
- b. Carefully lift the cover off the computer.
- c. Push the CD device out off the computer at point 4.



Disassembly

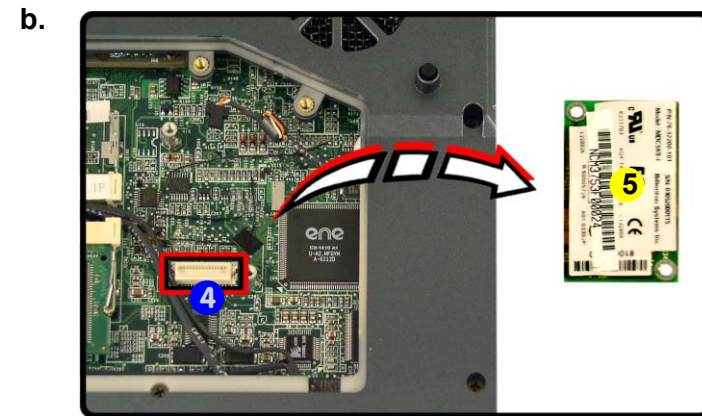
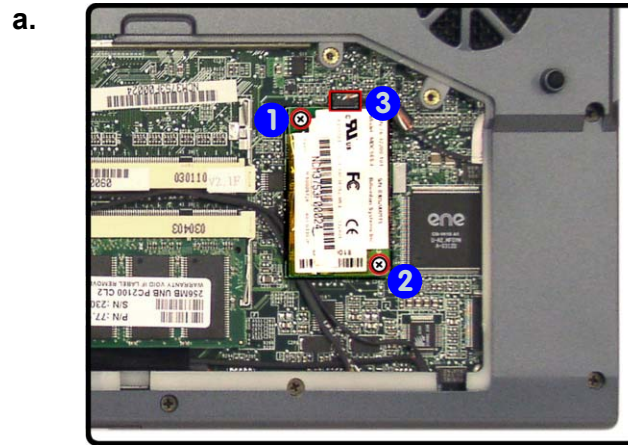
Figure 6

Modem Removal

- Remove the screws and disconnect the cable and connector.
- Remove the modem.

Removing the Modem

- Turn **off** the computer, remove the battery ([page 2 - 5](#)) and the bay cover ([page 2 - 6](#)).
- Remove screws **1** - **2** ([Figure 6a](#)), carefully disconnect cable **3** and separate the modem from the connector **4**.
- Lift the modem **5** ([Figure 6b](#)) off the computer.



- 5. Modem
- 2 Screws

Removing the Processor

1. Turn **off** the computer, and turn it over and remove the battery ([page 2 - 5](#)).
2. Remove screws **1** - **2** from the CPU cover.
3. Carefully lift up the CPU cover **3** off the computer.
4. Remove screws **4** - **6** ([Figure 7c](#)) from the heat sink.
5. Carefully lift up the heat sink **7** ([Figure 7d](#)) off the computer.

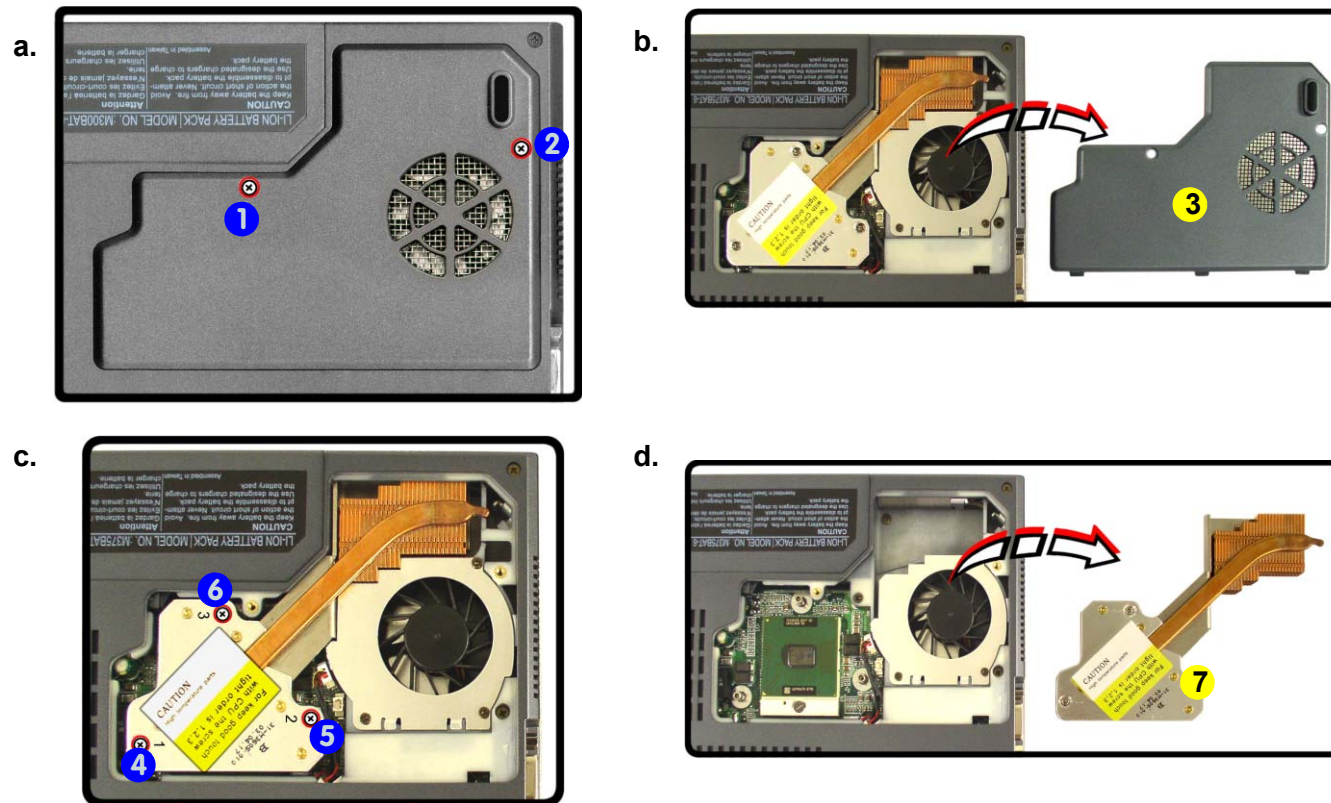
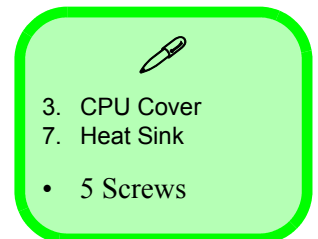


Figure 7
Processor Removal

- a. Remove the screws.
- b. Carefully lift the cover off the computer.
- c. Remove the screws in the order indicated.
- d. Remove the heat sink.



Disassembly


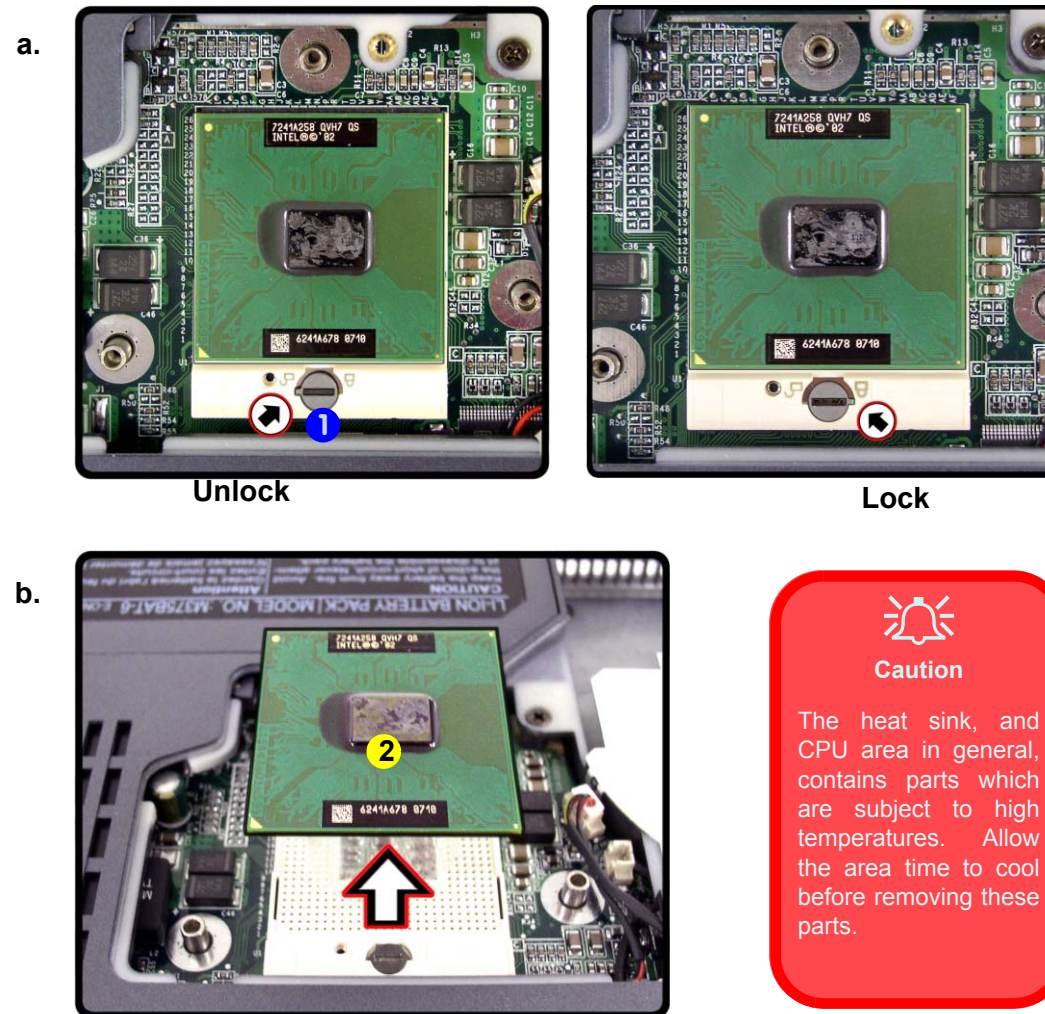
6. Turn the release latch **1** towards the unlock symbol , to release the CPU (*Figure 8a*).
7. Carefully (it may be hot) lift the CPU **2** up out of the socket (*Figure 8b*).
8. Reverse the process to install a new CPU.
9. When re-inserting the CPU, pay careful attention to the pin alignment, it will fit only one way (don't force it!).

Figure 8

Processor Removal (cont'd)

- a. Raise the latch to unlock the CPU.
- b. Lift the CPU out of the socket.



2. CPU

Appendix A:Part Lists

This appendix breaks down the *M375C/M385C* series notebook's construction into a series of illustrations. The component part numbers are indicated in the tables opposite the drawings.

Note: This section indicates the *manufacturer's* part numbers. Your organization may use a different system, so be sure to cross-check any relevant documentation.

Note: Some assemblies may have parts in common (especially screws). However, the part lists DO NOT indicate the total number of duplicated parts used.

Note: Be sure to check any update notices. The parts shown in these illustrations are appropriate for the system at the time of publication. Over the product life, some parts may be improved or re-configured, resulting in *new* part numbers.

Part List Illustration Location

The following table indicates where to find the appropriate part list illustration.

Table 1 - 1
Part List Illustration
Location

Part	M375C	M385C
Top	<i>page A - 3</i>	<i>page A - 12</i>
Bottom	<i>page A - 4</i>	<i>page A - 13</i>
LCD	<i>page A - 5</i>	<i>page A - 14</i>
Card Reader	<i>page A - 6</i>	<i>page A - 15</i>
CD-ROM Drive - QSI-TEAC	<i>page A - 7</i>	<i>page A - 16</i>
CD-RW Drive - TEAC	<i>page A - 8</i>	<i>page A - 17</i>
Combo Drive - TEAC	<i>page A - 9</i>	<i>page A - 18</i>
DVD-ROM Drive - TEAC-Toshiba	<i>page A - 10</i>	<i>page A - 19</i>
DVD-RW Drive - Toshiba	<i>page A - 11</i>	<i>page A - 20</i>

Top (M375C)

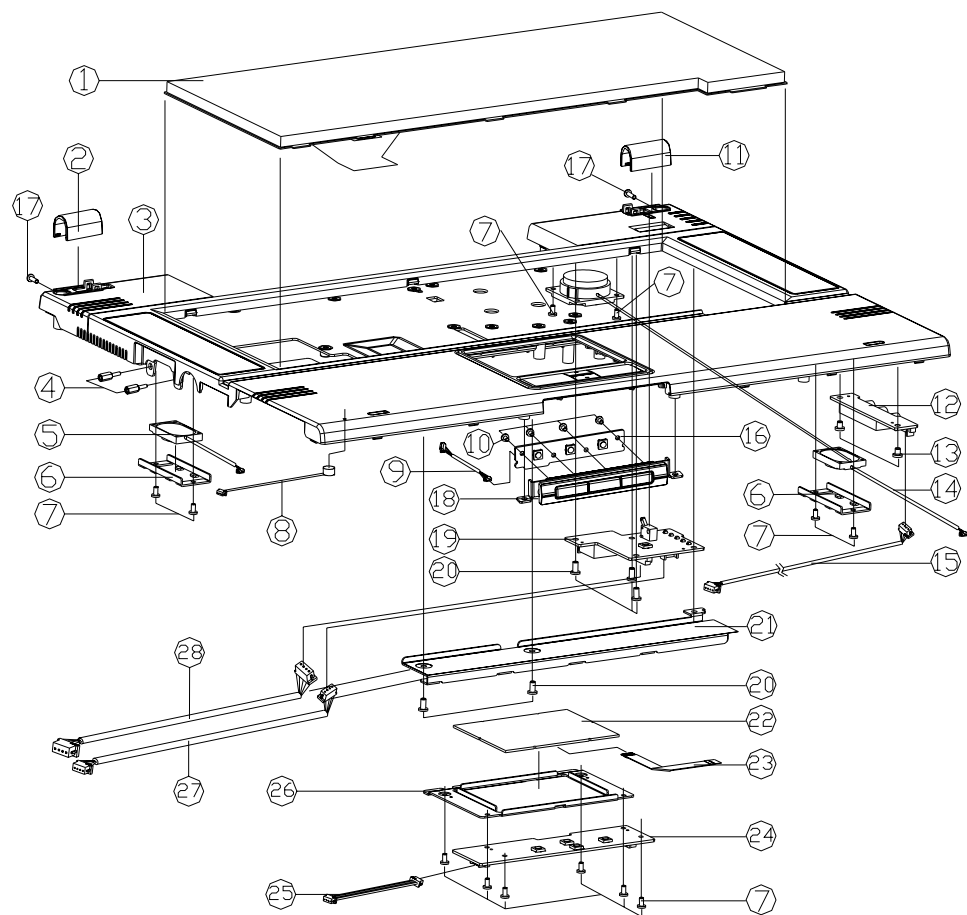


Figure 1
Top (M375C)

ITEM	PART NAME	PART NO	REMARK
1	KEYBOARD	80-M3708-7G0	
2	HINGE COVER(L)	42-M375Y-040	
3	TOP CASE MODULE	39-M3752-010	
4	HEX STUD(SUM22 NI-PL)11MM	34-07009-011-A	
5	SPEAKER(SMSL 80mm 1W)+CABLE 100mm 2P	23-S2510-145	
6	SPEAKER BRACKET	33-M3751-050	
7	SCREW M2*4L KI BNI ICT NY	35-B9120-4RA	
8	MIC 6MMx5 2V-18V 22K W/CABLE 55mm	23-E0610-55B	
9	WIRE CABLE FOR HOT KEY L=45mm	43-M3750-010	
10	SCREW M2*3L KI NI ICT NY	35-B1120-3RA	
11	HINGE COVER (R)	42-M375Y-030	
12	AUDIO ADAPTOR BOARD	77-M3008-D02	
13	SCREW M2.5*4.5P*3L KI BNI ICT NY	35-B9125-3R0	
14	SPK WOODER+NDORMAL+CABLE	23-S2620-490	
15	WIRE CABLE FOR AUDIO L=390mm	43-M3759-010	
16	HOTKEY CONVERTER BOARD	77-M3754-D02	
17	SCREW M2.5*8L KI BNI ICT NY	35-B9125-8R0	
18	HOT KEY MODULE M375C	42-M3751-400	
19	MULTIFUNCTION BOARD	77-M375V-D04	
20	SCREW M2.5*5L KI BNI ICT NY	35-B9125-5R0	
21	CABLE ALIGN BRACKET+HL FDIL	33-M3752-060	
22	TOUCH PAD SYNAPTICS 1M4P6C35I-1	49-42002-010	
23	FFC CABLE FOR TOUCHPAD L=65mm	43-M3752-010	
24	CLICK BOARD	77-M3752-D01	
25	WIRE CABLE FOR CLICK BOARD L=130mm	43-M3002-010	
26	TOUCH PAD BRACKET	33-M3752-010	
27	WIRE CABLE FOR MULTI-FUNC. L=240mm	43-M375V-010	
28	WIRE CABLE FOR DC POWER L=220mm	43-M375C-010	

A.Part Lists

Bottom (M375C)

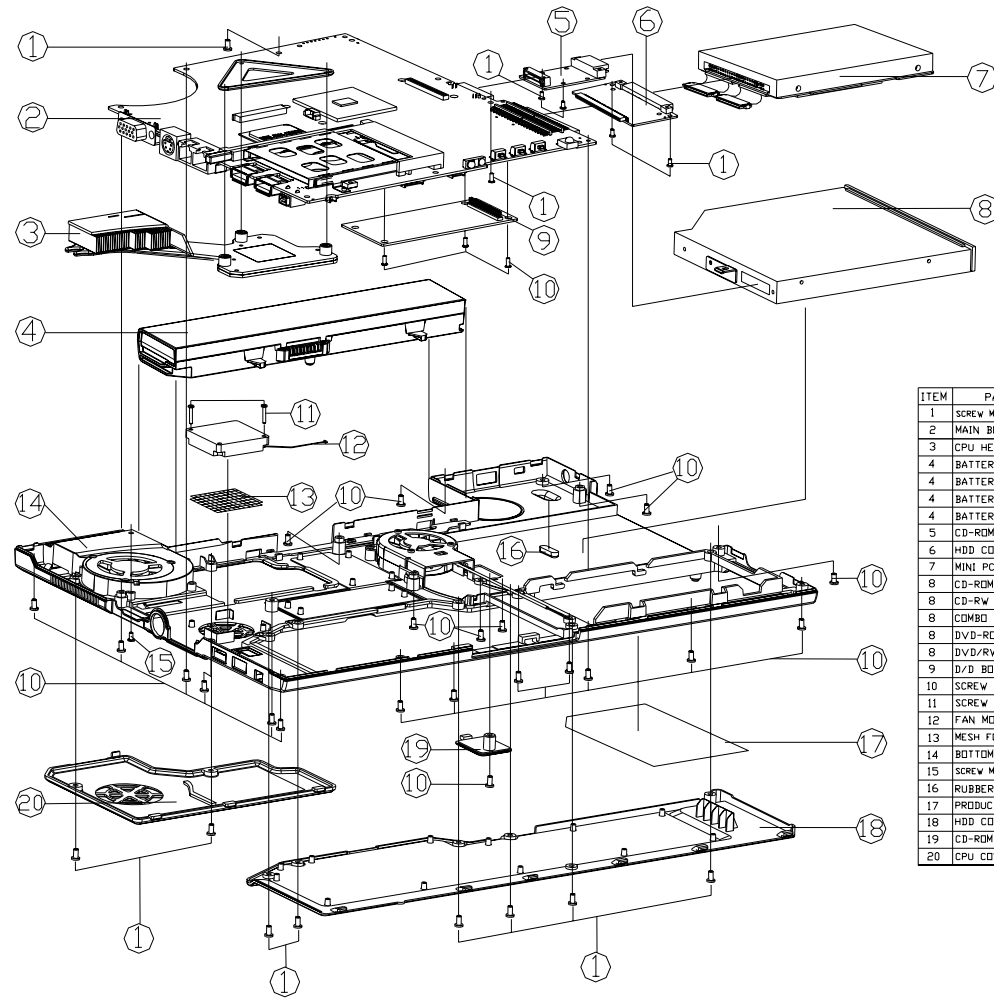


Figure 2
Bottom (M375C)

ITEM	PART NAME	PART NO	REMARK
1	SCREW M2.5*5L KI BNI ICT NY	35-B9125-SR0	
2	MAIN BOARD	77-M3750-DOX	
3	CPU HEATSINK FOR M360B	31-M360S-010	
4	BATTERY(OPTION)	B7-M375S-495	
4	BATTERY(OPTION)	B7-M375S-445	
4	BATTERY(OPTION)	B7-M375S-498	
4	BATTERY(OPTION)	B7-M375S-4E8	
5	CD-ROM CONVERTER BOARD	77-M375Z-D01	
6	HDD CONVERTER BOARD	77-M375N-D02	
7	MINI PCI CONVERTER BOARD	77-M35CV-101	
8	CD-ROM ASS'Y (OPTION)	79-M375Z-000	Reference Ass'y. No. (99-M375Z-040)
8	CD-RW ASS'Y (OPTION)	79-M375W-000	Reference Ass'y. No. (99-M375W-060)
8	COMBO ASS'Y (OPTION)	79-M375X-000	Reference Ass'y. No. (99-M375X-040)
8	DVD-RM ASS'Y (OPTION)	79-M375V-000	Reference Ass'y. No. (99-M375V-070)
8	DVD/RW ASS'Y (OPTION)	79-M3750-000	Reference Ass'y. No. (99-M3750-080)
9	D/D BOARD	77-M350C-D01A	
10	SCREW M2.5*8L KI BNI ICT NY	35-B9125-BR0	
11	SCREW M1.7*8L F NI TAP	35-21717-BR0	
12	FAN MODULE FOR SYSTEM	31-M375S-100	
13	MESH FOR SYSTEM FAN	33-M300S-040	
14	BOTTOM CASE MODULE	39-M3753-010	
15	SCREW M2.5*0.45*3.5L KI BNI ICT NY	35-B9125-3R0	
16	RUBBER FRONT FOOT	47-D6211-011	
17	PRODUCT LABEL FOR M375C	45-M3753-010	
18	HDD COVER MODULE	42-M375I-100	
19	CD-ROM LOCK COVER	42-M375Z-010	
20	CPU COVER MODULE	42-M375S-100	

LCD (M375C)

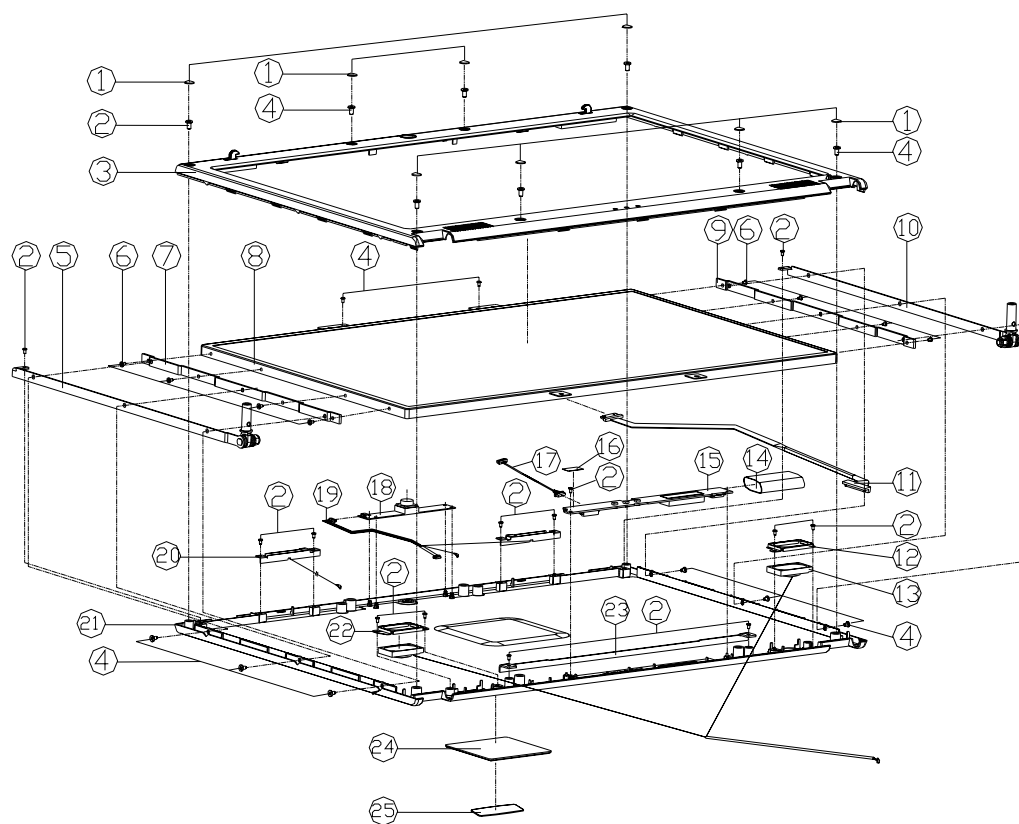


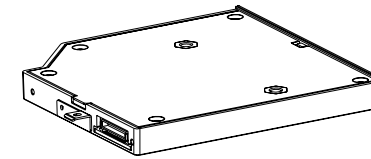
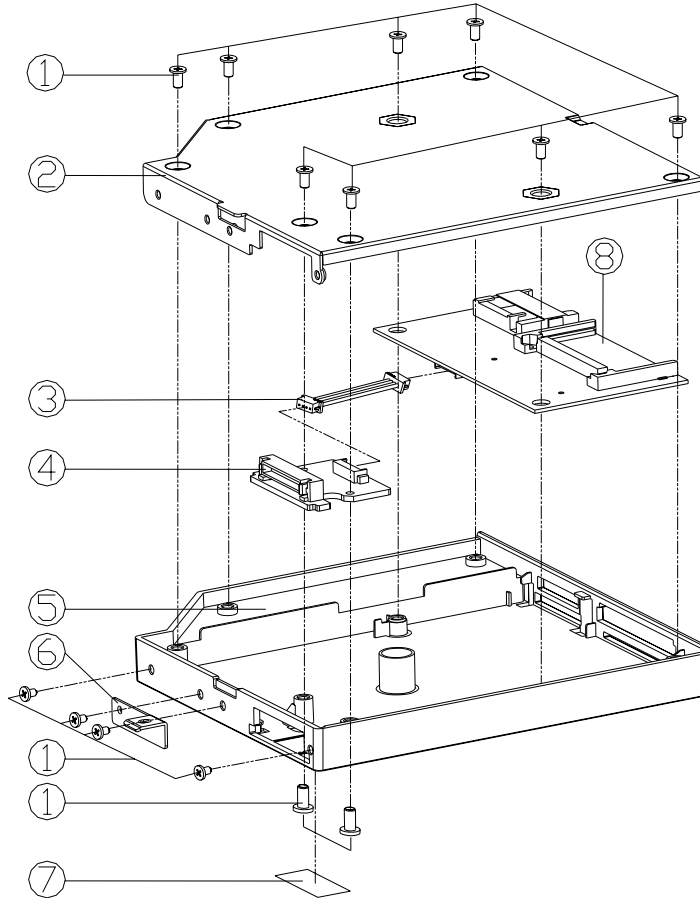
Figure 3
LCD (M375C)

ITEM	PART NAME	PART NO	REMARK
1	LCD F-CVR RUBBER, SILICONE M360C	47-M36C1-040	
2	SCREW M2*4L KI BNI ICT NY	35-B9120-4RA	
3	LCD FRONT COVER MODULE W/CCD	39-M3751-110	
3	LCD FRONT COVER MODULE W/O CCD	39-M3751-010	
4	SCREW M2.5*4L KI BK/D ICT NY	35-B4125-4RA	
5	LCD HINGE L FDR SAM/HIT	33-M3751-050	
6	SCREW M2*3L KI NI ICT NY	35-B1120-3RA	
7	CONVERTER BRACKET (L) SAM/HIT	33-M3752-050	
8	LED 15.4" 1280*800 TFT OPT CLAMISAWA16 15.4" WxGA 6.0MM	50-L8260-C00	
8	LED 1 OPT CLAMISAWA16 15.4" WxGA 6.0MM	50-L8260-C01	
8	LED 15.4" 1280*800 TFT SAMSUNG L155AH-LE 6.5MM	50-L8265-M00	
9	CONVERTER BRACKET (R) SAM/HIT	33-M3752-070	
10	LCD HINGE R FDR SAM/HIT	33-M3751-060	
11	LCD COAXIAL CABLE FOR HITACHI(S988VCF1A)	43-M3751-010	
11	LCD COAXIAL CABLE FOR SAMSUNG(L1554X1)	43-M3751-020	
11	LCD COAXIAL CABLE FOR OPT(CLA1554W4D)	43-M3751-030	
12	SPEAKER FIXTURE(R)	33-M300T-031	
13	SPEAKER R+L+CABLE 4P	23-52510-498	
14	KAPTON(44*37*0075) FDR INVERTER	40-M375S-010	
15	INVERTER BOARD	77-M300R-D02	
16	MYLAR(12*7*0.1T) FDR INVERTER	40-M375R-010	
17	WIRE CABLE FDR INVERTER L=280MM	43-M375R-010	
18	VIDEO CAMERA CMTL(CCM-3130ASSY M300N	79-M300C-010	OPTION
18	VIDEO CAMERA (PN-616ASSY M300N	79-M300C-020	OPTION
19	ANTENNA 2AG PPA FOR WLAN+CAMERA CABLE M375C	23-742R4-B10	
20	ANTENNA 2AG PPA FOR BLUETOOTH(OH-3M L-55MM)M375C	23-742R4-AB0-1	OPTION
21	LCD BACK COVER MODULE	39-M3751-020	
22	SPEAKER FIXTURE(L)	33-M300T-041	
23	LCD BRACKET DOWN FDR SAM/HIT	33-M3751-030	
24	NAME PLATE M375C	45-M3752-010	
25	NAME PLATE "NOTEBOOK"	45-42001-010	

A.Part Lists

Card Reader (M375C)

Figure 4
Card Reader
(M375C)



ITEM	PART NAME	PART NO	REMARK
1	SCREW M2*4L K1 NI ICT NY	35-B1120-4R0	
2	CARD READER COVER (METAL)	33-M375E-010	
3	CABLE 4PIN FOR CARD READER D500P	43-D500E-010	
4	CARD READER MODULE FOR D470W	88-D47E0-430	
5	CARD READER CASE	42-M375E-030	
5	CARD READER CASE	42-M385E-030	
6	CD-ROM BRACKET	33-M300Z-010	
7	MYLAR 20X40X0.5t (R1.0)	40-M375S-020	
8	CARD READER M375C	77-M375F-D01	

CD-ROM Drive - QSI-TEAC (M375C)

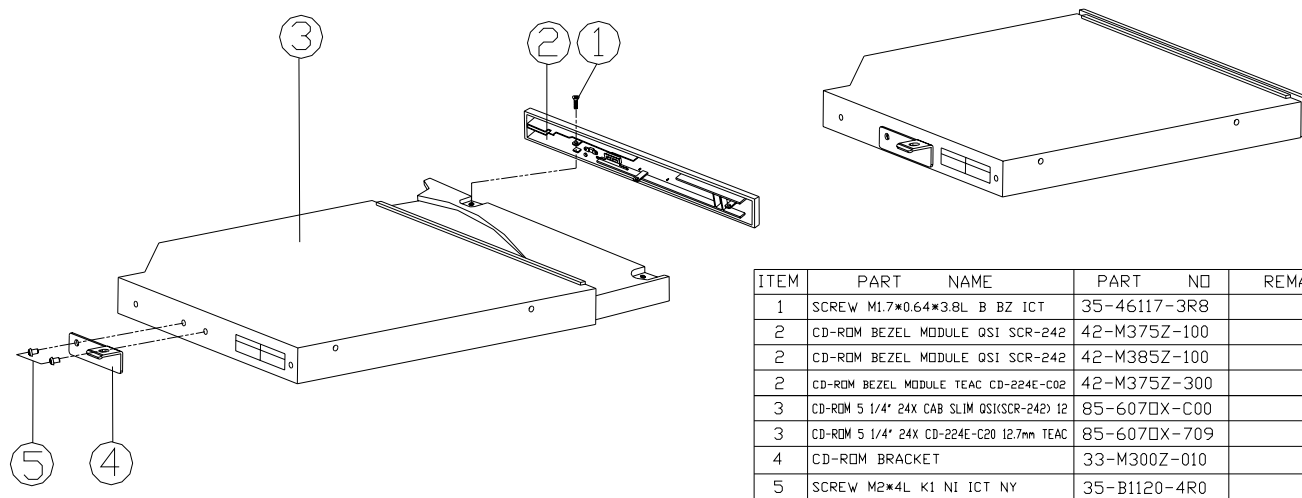


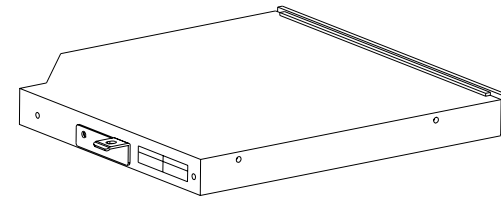
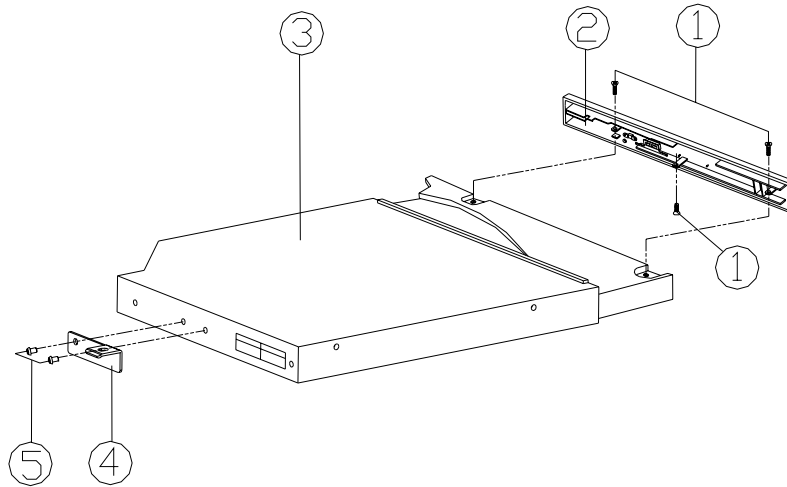
Figure 5
CD-ROM Drive -
QSI-TEAC
(M375C)

ITEM	PART NAME	PART NO	REMARK
1	SCREW M1.7*0.64*3.8L B BZ ICT	35-46117-3R8	
2	CD-ROM BEZEL MODULE QSI SCR-242	42-M375Z-100	
2	CD-ROM BEZEL MODULE QSI SCR-242	42-M385Z-100	
2	CD-ROM BEZEL MODULE TEAC CD-224E-C02	42-M375Z-300	
3	CD-ROM 5 1/4" 24X CAB SLIM QSI(SCR-242) 12	85-607□X-C00	
3	CD-ROM 5 1/4" 24X CD-224E-C20 12.7mm TEAC	85-607□X-709	
4	CD-ROM BRACKET	33-M300Z-010	
5	SCREW M2*4L K1 NI ICT NY	35-B1120-4R0	

A.Part Lists

CD-RW Drive - TEAC (M375C)

Figure 6
CD-RW Drive -
TEAC (M375C)



ITEM	PART NAME	PART NO	REMARK
1	SCREW M2*5L K1 BK/D TAP/	35-B4920-5R0	
2	CD-RW BEZEL MODULE TEAC(CD-W224E-A82)	42-M375W-100	
2	CD-RW BEZEL MODULE TEAC(CD-W224E-A82)	42-M385W-100	
3	CD-R/W 5 1/4" 24X CD-W224E-A82 12.7mm TEAC	85-807□X-700	
4	CD-ROM BRACKET	33-M300Z-010	
5	SCREW M2*4L K1 NI ICT NY	35-B1120-4R0	

Combo Drive - TEAC (M375C)

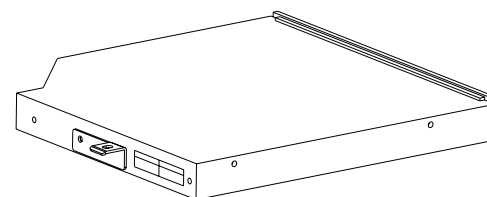
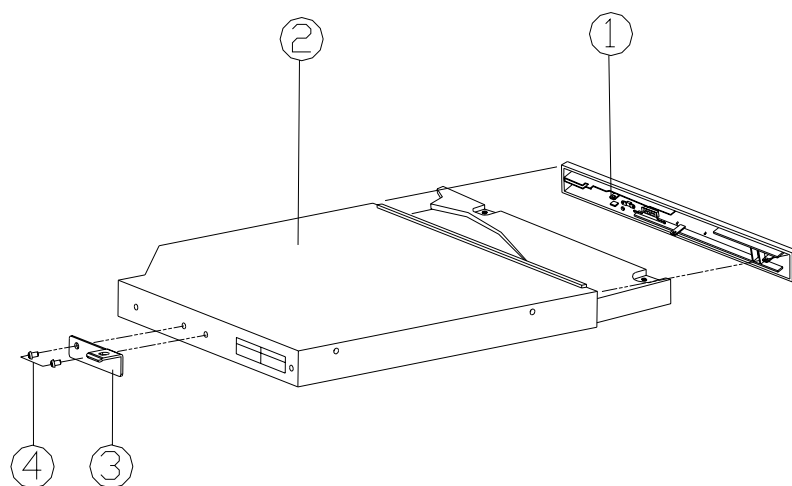


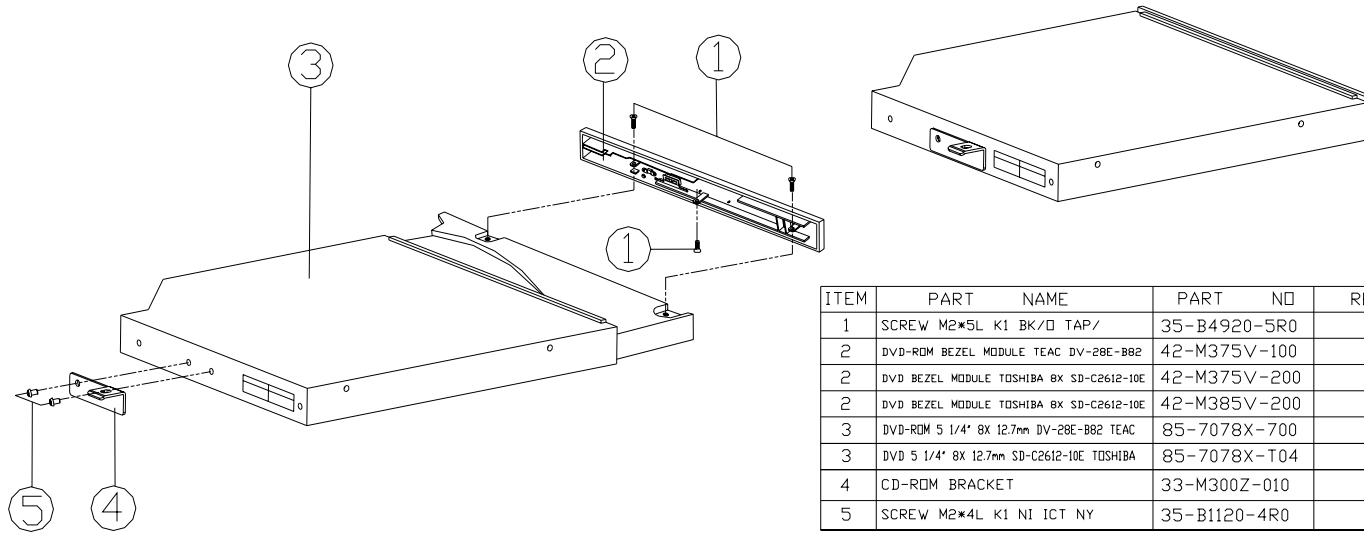
Figure 7
Combo Drive -
TEAC (M375C)

ITEM	PART NAME	PART NO	REMARK
1	COMBO BEZEL MODULE TEAC <DW-28E-82>	42-M375X-200	
1	COMBO BEZEL MODULE TEAC <DW-28E-82>	42-M385X-200	
2	CD-ROM/DVD 5 1/4" 24X 12.7mm DW-224E-82 TEAC	85-907□X-700	
3	CD-ROM BRACKET	33-M300Z-010	
4	SCREW M2*4L K1 NI ICT NY	35-B1120-4R0	

A.Part Lists

DVD-ROM Drive - TEAC-TOSHIBA (M375C)

Figure 8
DVD-ROM Drive -
TEAC-TOSHIBA
(M375C)



ITEM	PART	NAME	PART NO	REMARK
1	SCREW	M2*5L K1 BK/D TAP/	35-B4920-5R0	
2	DVD-ROM BEZEL MODULE	TEAC DV-28E-B82	42-M375V-100	
2	DVD BEZEL MODULE	TOSHIBA 8X SD-C2612-10E	42-M375V-200	
2	DVD BEZEL MODULE	TOSHIBA 8X SD-C2612-10E	42-M385V-200	
3	DVD-ROM 5 1/4" 8X	12.7mm DV-28E-B82 TEAC	85-7078X-700	
3	DVD 5 1/4" 8X	12.7mm SD-C2612-10E TOSHIBA	85-7078X-T04	
4	CD-ROM	BRACKET	33-M300Z-010	
5	SCREW	M2*4L K1 NI ICT NY	35-B1120-4R0	

DVD-RW Drive - TOSHIBA (M375C)

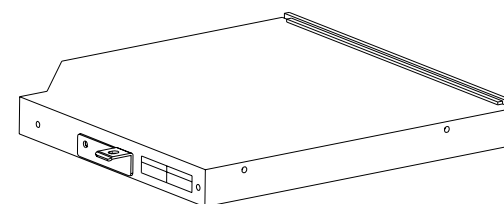
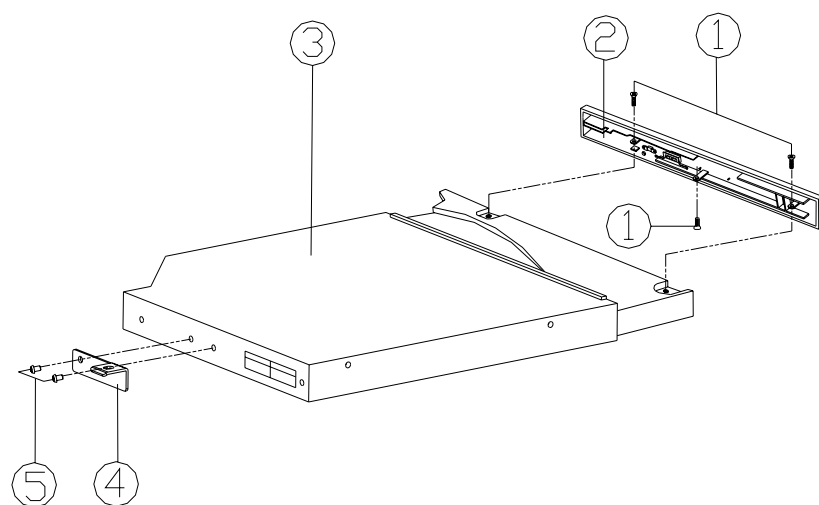


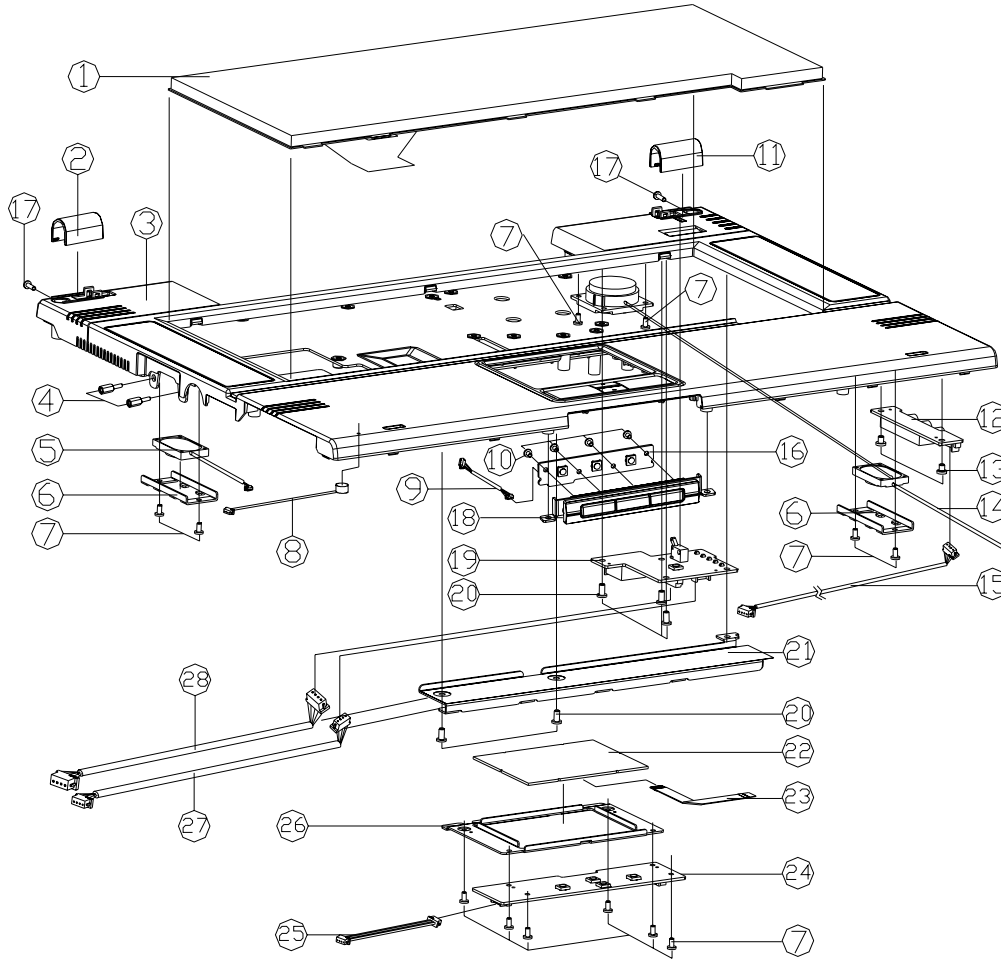
Figure 9
DVD-RW Drive -
TOSHIBA (M375C)

ITEM	PART NAME	PART NO	REMARK
1	SCREW M2*SL K1 BK/O TAP/	35-B4920-5R0	
2	DVD-RW BEZEL MODULE TOSHIBA SD-R6012	42-M375Q-100	
2	DVD-RW BEZEL MODULE TOSHIBA SD-R6012	42-M385Q-100	
3	DVD-RW 5 1/4" 1X 12.7mm SD-R6012 TOSHIBA F/W=1033	85-A071X-T00	
4	CD-ROM BRACKET	33-M300Z-010	
5	SCREW M2*4L K1 NI ICT NY	35-B1120-4R0	

A.Part Lists

Top (M385C)

Figure 10
Top (M385C)



ITEM	PART NAME	PART NO	REMARK
1	KEYBOARD	80-M3708-7G0	
2	HINGE COVER(L)	42-M385Y-040	
3	TOP CASE MODULE	39-M3852-010	
4	HEX STUDBSUM22 NI-PL31MM	34-07009-011-A	
5	SPEAKER(SISA, 80mm 1W)+CABLE 100mm 2P	23-52510-145	
6	SPEAKER BRACKET	33-M375T-050	
7	SCREW M2*4L KI BNI ICT NY	35-B9120-4RA	
8	MIC 6MM5 2V-10V 22K W/CABLE 55mm	23-E0610-55B	
9	WIRE CABLE FDR HOT KEY L=45mm	43-M3750-010	
10	SCREW M2*3L KI NI ICT NY	35-B1120-3RA	
11	HINGE COVER (R)	42-M385Y-030	
12	AUDIO ADAPTOR BOARD	77-M3008-D02	
13	SCREW M2.5*0.45P*3L KI BN ICT NY	35-B9125-3R0	
14	SPK WOODER+NDRMAL+CABLE	23-52820-490	
15	WIRE CABLE FDR AUDIO L=390mm	43-M3758-010	
16	HOTKEY CONVERTER BOARD	77-M3754-D02	
17	SCREW M2.5*BL KI BNI ICT NY	35-B9125-8R0	
18	HOT KEY MODULE M375C	42-M3751-400	
19	MULTIFUNCTION BOARD	77-M375V-D04	
20	SCREW M2.5*5L KI BNI ICT NY	35-B9125-5R0	
21	CABLE ALIGN BRACKET(+AL FDIL)	33-M3752-060	
22	TOUCH PAD SYNAPTICS TM4190351-I	49-42002-010	
23	FFC CABLE FOR TOUCHPAD L=65mm	43-M3752-010	
24	CLICK BOARD	77-M3752-D01	
25	WIRE CABLE FOR CLICK BOARD L=120mm	43-M3002-010	
26	TOUCH PAD BRACKET	33-M3752-010	
27	WIRE CABLE FOR MULTI-FUNC. L=240mm	43-M375V-010	
28	WIRE CABLE FOR DC POWER L=220mm	43-M375C-010	

Bottom (M385C)

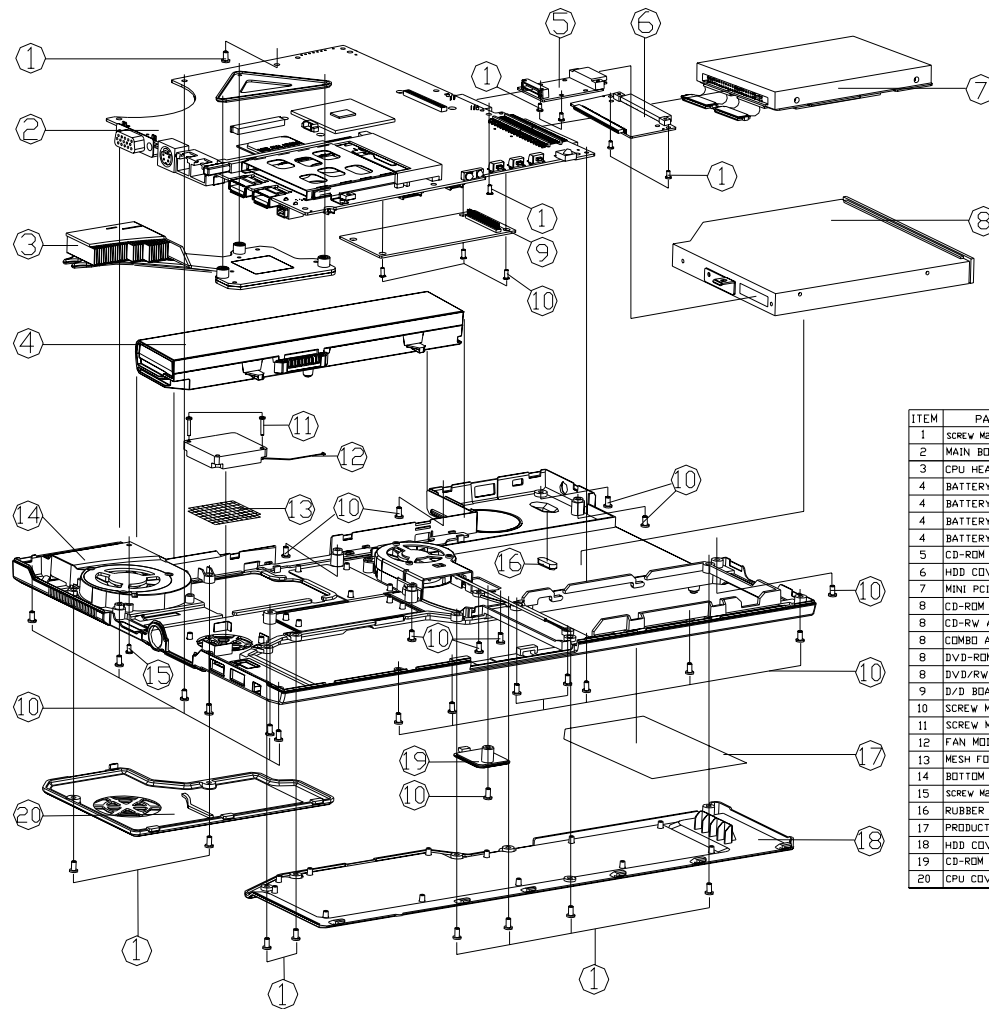
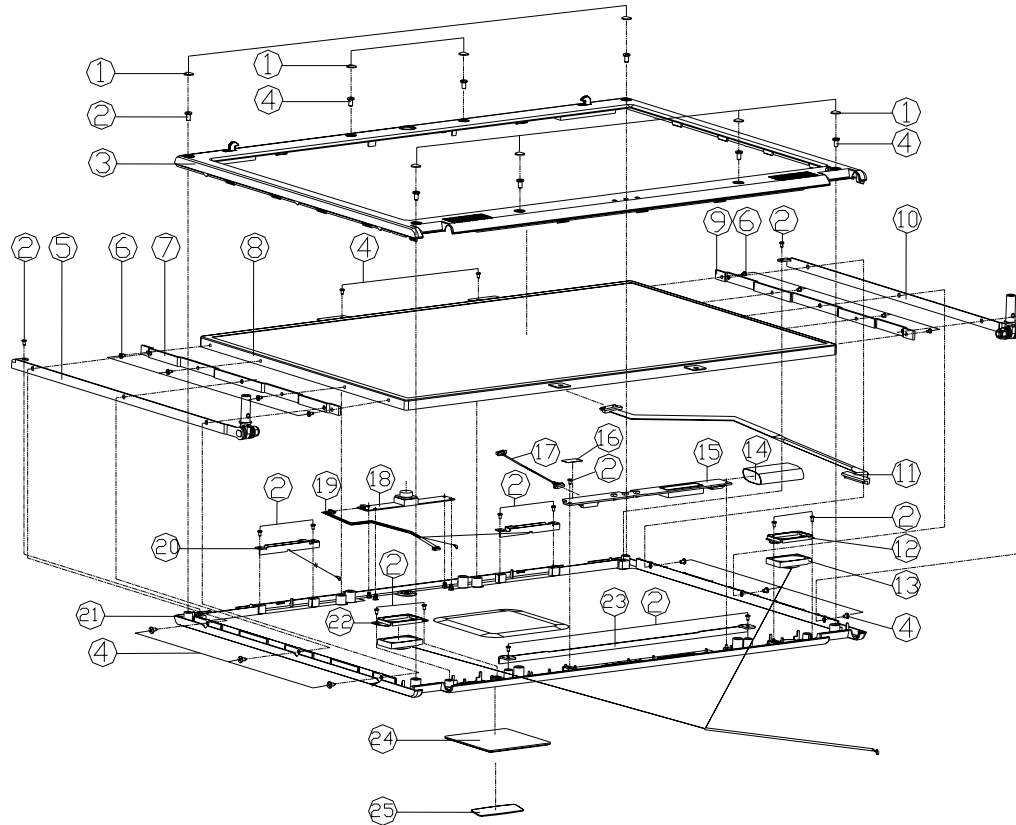


Figure 11
Bottom (M385C)

ITEM	PART NAME	PART NO	REMARK
1	SCREW M2.5*5L K1 BNI ICT NY	35-B9125-5R0	
2	MAIN BOARD	77-M3750-D0X	
3	CPU HEATSINK FOR M360B	31-M360S-010	
4	BATTERY(OPTION)	87-M385S-495	
4	BATTERY(OPTION)	87-M385S-445	
4	BATTERY(OPTION)	87-M385S-498	
4	BATTERY(OPTION)	87-M385S-4E8	
5	CD-RDM CONVERTER BOARD	77-M375Z-D01	
6	HDD CONVERTER BOARD	77-M375N-D02	
7	MINI PCI CONVERTER BOARD	77-M35CV-101	
8	CD-RDM ASS'Y (OPTION)	79-M385Z-000	Reference Ass'y Bsp (C99-M375S-140)
8	CD-RW ASS'Y (OPTION)	79-M385W-000	Reference Ass'y Bsp (C99-M375S-100)
8	COMBO ASS'Y (OPTION)	79-M385X-000	Reference Ass'y Bsp (C99-M375S-100)
8	DVD-RDM ASS'Y (OPTION)	79-M385V-000	Reference Ass'y Bsp (C99-M375S-170)
8	DVD/RW ASS'Y (OPTION)	79-M385Q-000	Reference Ass'y Bsp (C99-M375S-100)
9	D/D BOARD	77-M350C-D01A	
10	SCREW M2.9*8L K1 BNI ICT NY	35-B9125-8R0	
11	SCREW M1.7*8L F NI TAP	35-Z1717-8R0	
12	FAN MODULE FOR SYSTEM	31-M375S-100	
13	MESH FOR SYSTEM FAN	33-M300S-040	
14	BOTTOM CASE MODULE	39-M3853-010	
15	SCREW M2.5*0.45P*3L K1 BNI ICT NY	35-B9125-3R0	
16	RUBBER FRONT FOOT	47-D6211-011	
17	PRODUCT LABEL FOR M385C	45-M3853-010	
18	HDD COVER MODULE	42-M3851-100	
19	CD-RDM LOCK COVER	42-M385Z-010	
20	CPU COVER MODULE	42-M385S-100	

LCD (M385C)

Figure 12
LCD (M385C)



ITEM	PART NAME	PART NO	REMARK
1	LCD F-CVR RUBBER, SILICONE M36C	47-M36C1-040	
2	SCREW M2*4L KI BNI ICT NY	35-B9120-4RA	
3	LCD FRONT COVER MODULE W/CCD	39-M3851-110	
3	LCD FRONT COVER MODULE W/D CCD	39-M3851-010	
4	SCREW M2.5*4L KI BK/D ICT NY	35-B4125-4RA	
5	LCD HINGE L FOR SAM/HIT	33-M3751-050	
6	SCREW M2*3L KI NI ICT NY	35-B1120-3RA	
7	CONVERTER BRACKET (L) SAM/HIT	33-M3752-050	
8	LED 15.4" 1280*800 TFT OPT CLAM54WHD 6.0MM	50-L8260-C00	
8	LED T OPT CLAM54WHD 15.4" WXGA 6.0MM	50-L8260-C01	
8	LED 15.4" 1280*800 TFT SAMUNG L1N5KH-LR 6.0MM	50-L8265-M00	
9	CONVERTER BRACKET (R) SAM/HIT	33-M3752-070	
10	LCD HINGE R FOR SAM/HIT	33-M3751-060	
11	LCD COAXIAL CABLE FOR SAM/KL1N54HD	43-M3751-020	
11	LCD COAXIAL CABLE FOR OPTICLAM54WHD	43-M3751-030	
12	SPEAKER FIXTURE(R)	33-M300T-031	
13	SPEAKER R+L+CABLE 4P	23-52510-498	
14	KAPTON(44*37*0.075) FOR INVERTER	40-M375S-010	
15	INVERTER BOARD	77-M300R-D02	
16	MYLAR(12*7*0.11) FOR INVERTER	40-M375R-010	
17	WIRE CABLE FOR INVERTER L=280MM	43-M375R-010	
18	VIDEO CAMERA CAMEL(CM-3120)ASSY M300N	79-M300C-010	OPTION
18	VIDEO CAMERA CPN-616)ASSY M300N	79-M300C-020	OPTION
19	ANTENNA 24G PFA FOR NUN 40MEDIA CABLE 1075C	23-742R4-B10	
20	ANTENNA 24G PFA FOR BLUEWIN 08-5MM L-55MM)KUN	23-742R4-A80-1	OPTION
21	LCD BACK COVER MODULE	39-M3851-020	
22	SPEAKER FIXTURE(L)	33-M300T-041	
23	LCD BRACKET DOWN FOR SAM/HIT	33-M3751-030	
24	NAME PLATE M375C	45-M3752-010	
25	NAME PLATE *NOTEBOOK*	45-42001-010	

Card Reader (M385C)

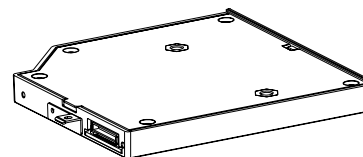
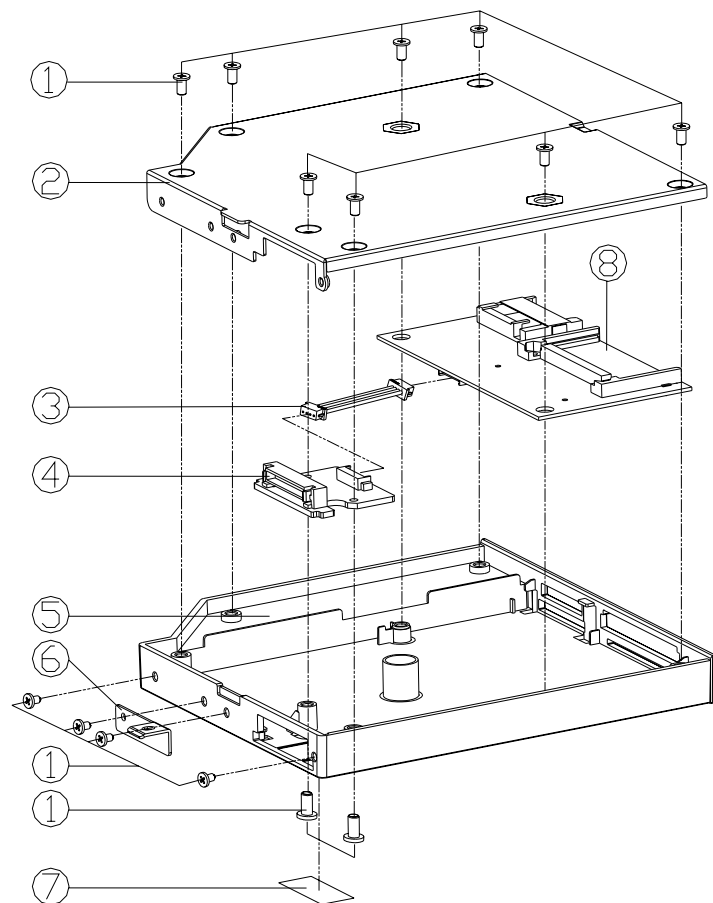


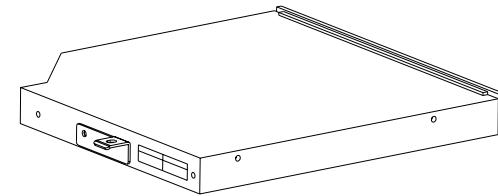
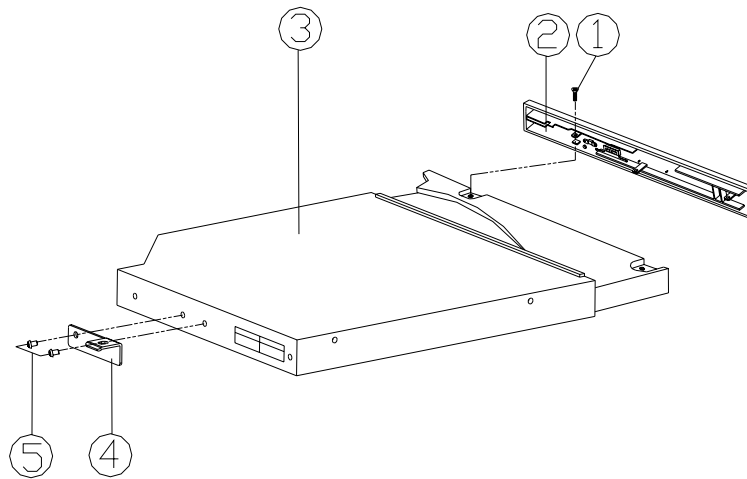
Figure 13
Card Reader
(M385C)

ITEM	PART NAME	PART NO	REMARK
1	SCREW M2*4L K1 NI ICT NY	35-B1120-4R0	
2	CARD READER COVER (METAL)	33-M375E-010	
3	CABLE 4PIN FOR CARD READER D500P	43-D500E-010	
4	CARD READER MODULE FOR D470W	88-D47E0-430	
5	CARD READER CASE	42-M375E-030	
5	CARD READER CASE	42-M385E-030	
6	CD-ROM BRACKET	33-M300Z-010	
7	MYLAR 20X40X0.5t (R1.0)	40-M375S-020	
8	CARD READER M375C	77-M375F-D01	

A.Part Lists

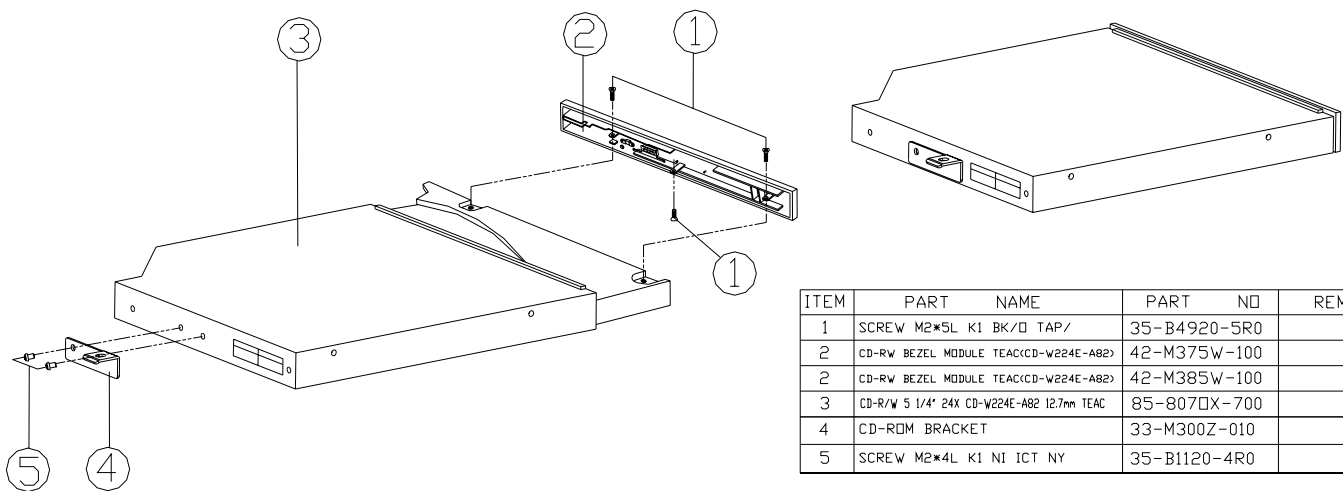
CD-ROM Drive - QSI-TEAC (M385C)

Figure 14
CD-ROM Drive -
QSI-TEAC (M385C)



ITEM	PART NAME	PART NO	REMARK
1	SCREW M1.7*0.64*3.8L B BZ ICT	35-46117-3R8	
2	CD-ROM BEZEL MODULE QSI SCR-242	42-M375Z-100	
2	CD-ROM BEZEL MODULE QSI SCR-242	42-M385Z-100	
2	CD-ROM BEZEL MODULE TEAC CD-224E-C02	42-M375Z-300	
3	CD-ROM 5 1/4" 24X CAB SLIM QSI(SCR-242) 12	85-607□X-C00	
3	CD-ROM 5 1/4" 24X CD-224E-C20 12.7mm TEAC	85-607□X-709	
4	CD-ROM BRACKET	33-M300Z-010	
5	SCREW M2*4L K1 NI ICT NY	35-B1120-4R0	

CD-RW Drive - TEAC (M385C)

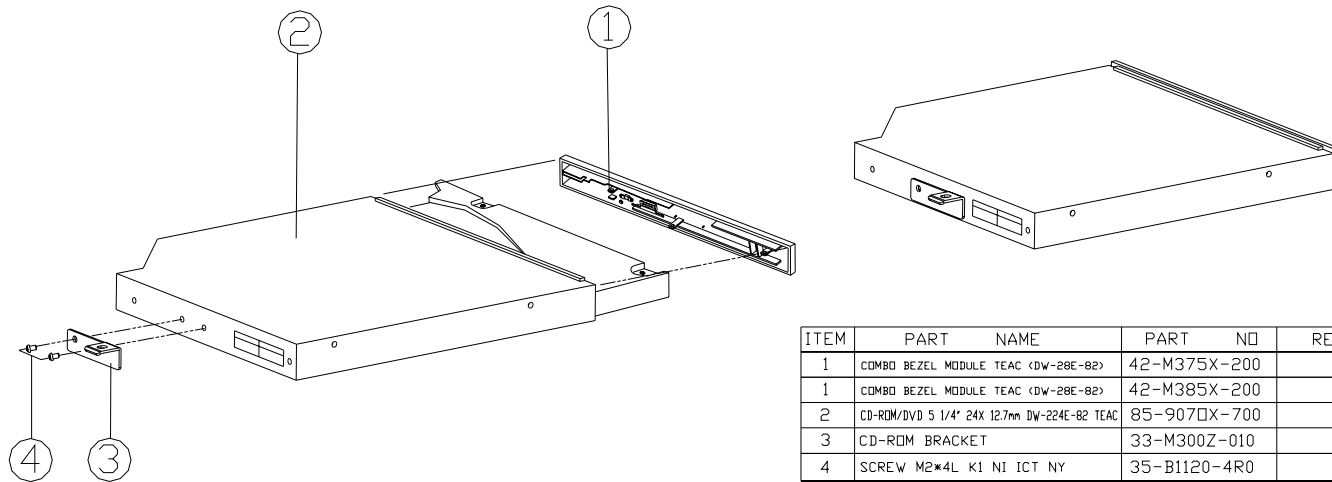


ITEM	PART NAME	PART NO	REMARK
1	SCREW M2*5L K1 BK/O TAP/	35-B4920-5R0	
2	CD-RW BEZEL MODULE TEAC(CD-W224E-A82)	42-M375W-100	
2	CD-RW BEZEL MODULE TEAC(CD-W224E-A82)	42-M385W-100	
3	CD-R/W 5 1/4" 24X CD-W224E-A82 12.7mm TEAC	85-807□X-700	
4	CD-ROM BRACKET	33-M300Z-010	
5	SCREW M2*4L K1 NI ICT NY	35-B1120-4R0	

Figure 15
CD-RW Drive -
TEAC (M385C)

Combo Drive - TEAC (M385C)

Figure 16
Combo Drive -
TEAC (M385C)



ITEM	PART NAME	PART NO	REMARK
1	COMBO BEZEL MODULE TEAC <DW-28E-82>	42-M375X-200	
1	COMBO BEZEL MODULE TEAC <DW-28E-82>	42-M385X-200	
2	CD-ROM/DVD 5 1/4" 24X 12.7mm DW-224E-82 TEAC	85-907□X-700	
3	CD-ROM BRACKET	33-M300Z-010	
4	SCREW M2*4L K1 NI ICT NY	35-B1120-4R0	

DVD-ROM Drive - TEAC-TOSHIBA (M385C)

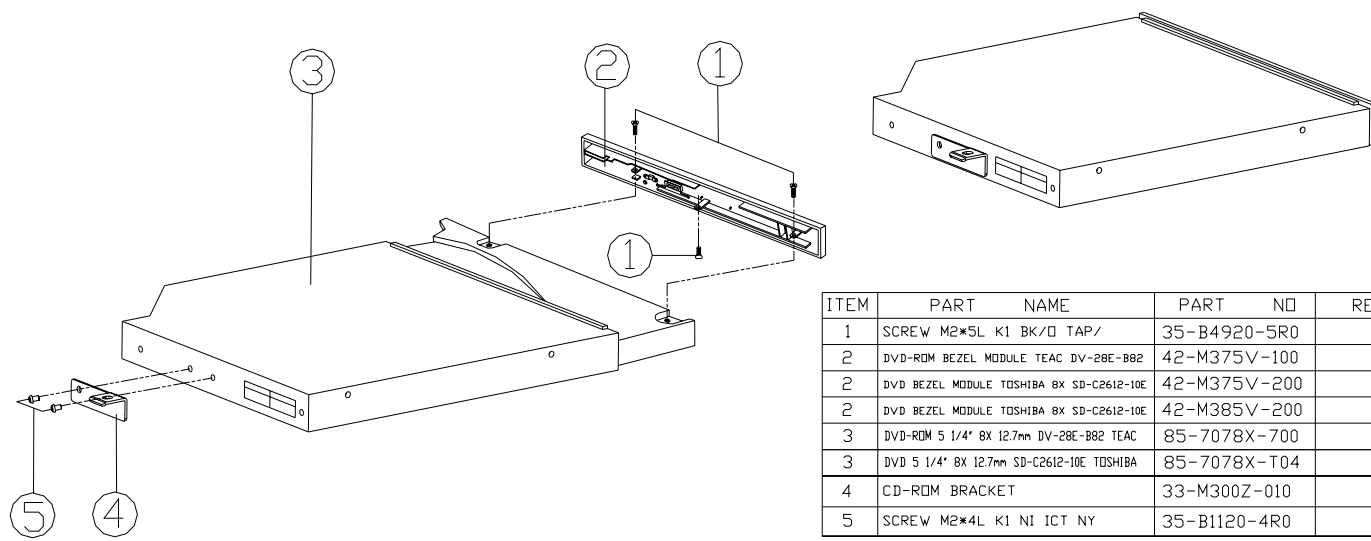


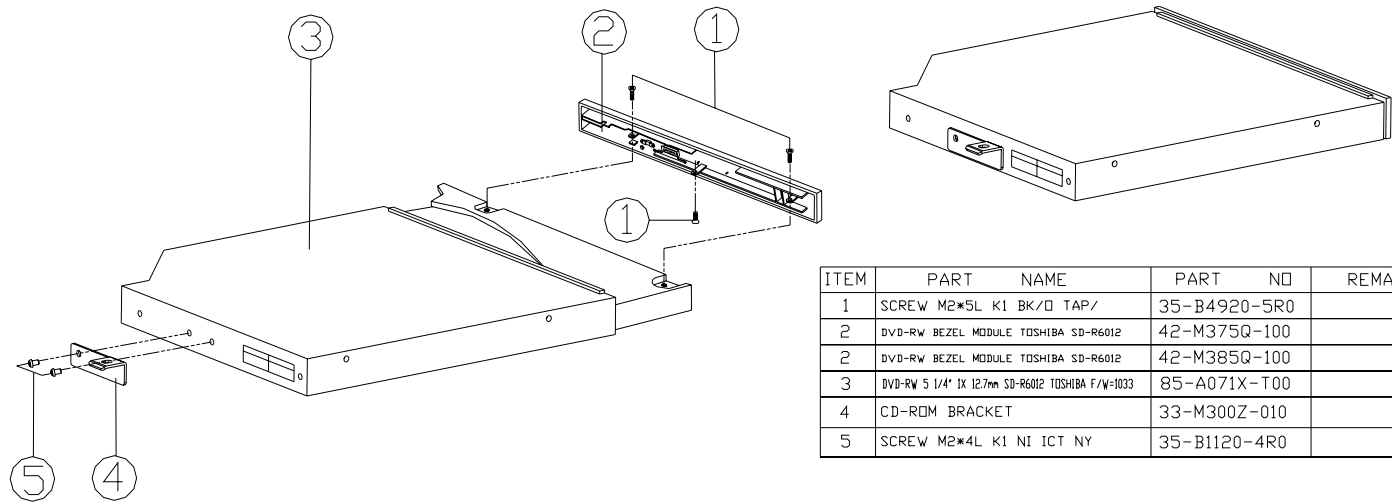
Figure 17
DVD-ROM Drive -
TEAC-TOSHIBA
(M385C)

ITEM	PART NAME	PART NO	REMARK
1	SCREW M2*5L K1 BK/D TAP/	35-B4920-5R0	
2	DVD-ROM BEZEL MODULE TEAC DV-28E-B82	42-M375V-100	
2	DVD BEZEL MODULE TOSHIBA 8X SD-C2612-10E	42-M375V-200	
2	DVD BEZEL MODULE TOSHIBA 8X SD-C2612-10E	42-M385V-200	
3	DVD-ROM 5 1/4" 8X 12.7mm DV-28E-B82 TEAC	85-7078X-700	
3	DVD 5 1/4" 8X 12.7mm SD-C2612-10E TOSHIBA	85-7078X-T04	
4	CD-ROM BRACKET	33-M300Z-010	
5	SCREW M2*4L K1 NI ICT NY	35-B1120-4R0	

A.Part Lists

DVD-RW Drive - TOSHIBA (M385C)

Figure 18
DVD-RW Drive -
TOSHIBA (M385C)



ITEM	PART NAME	PART NO	REMARK
1	SCREW M2*5L K1 BK/D TAP/	35-B4920-5R0	
2	DVD-RW BEZEL MODULE TOSHIBA SD-R6012	42-M375Q-100	
2	DVD-RW BEZEL MODULE TOSHIBA SD-R6012	42-M385Q-100	
3	DVD-RW 5 1/4" IX 12.7mm SD-R6012 TOSHIBA F/W=1033	85-A071X-T00	
4	CD-ROM BRACKET	33-M300Z-010	
5	SCREW M2*4L K1 NI ICT NY	35-B1120-4R0	

Appendix B:Schematic Diagrams

This appendix has circuit diagrams of the *M375C/M385C* notebook's PCB's. The following table indicates where to find the appropriate schematic diagram.

Diagram - Page	Diagram - Page
<i>System Block Diagram - Page B - 2</i>	<i>HDD, CDROM - Page B - 17</i>
<i>Socket 479 - 1 of 2 - Page B - 3</i>	<i>LAN RTL8100BL - Page B - 18</i>
<i>Socket 479 - 2 of 2 - Page B - 4</i>	<i>ROM, W517 - Page B - 19</i>
<i>Montara GM-1 - Page B - 5</i>	<i>TI1394 (TSB43AB21) - Page B - 20</i>
<i>Montara GM-2 - Page B - 6</i>	<i>Hitachi H8S - Page B - 21</i>
<i>Montara GM-3 - Page B - 7</i>	<i>CON - Page B - 22</i>
<i>DDRAM - Page B - 8</i>	<i>Audio Codec ALC201 - Page B - 23</i>
<i>DDR Termination - Page B - 9</i>	<i>PCMCIA (ENE1410) - Page B - 24</i>
<i>Clock Generator - Page B - 10</i>	<i>PCMCIA Socket - Page B - 25</i>
<i>LVDS; CRT - Page B - 11</i>	<i>AC IN; Power Button - Page B - 26</i>
<i>ICH4-1 (1 of 3) - Page B - 12</i>	<i>CH7011; TV-Out - Page B - 27</i>
<i>ICH4-2 (2 of 3) - Page B - 13</i>	<i>V_CORE - Page B - 28</i>
<i>ICH4-3 (3 of 3) - Page B - 14</i>	<i>Charger - Page B - 29</i>
<i>USB 2.0, Wireless LAN - Page B - 15</i>	<i>Multi-Function Board - Page B - 30</i>
<i>MDC, BT, CCT - Page B - 16</i>	

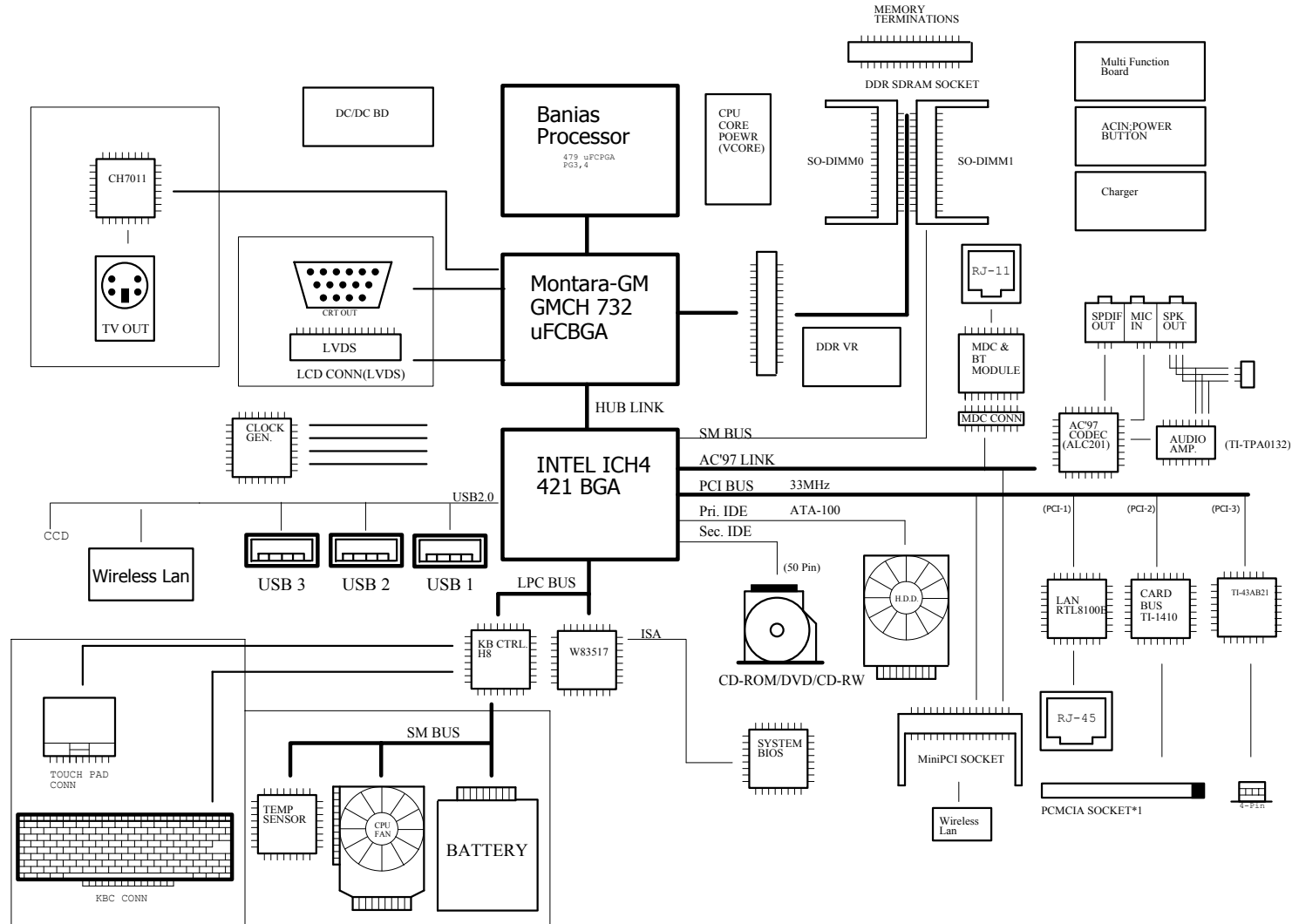
Table 1
**Schematic
Diagrams**



Version Note

The schematic diagrams in this chapter are based upon version 71-M35C0-D02. If your mainboard (or other boards) are a later version, please check with the Service Center for updated diagrams (if required).

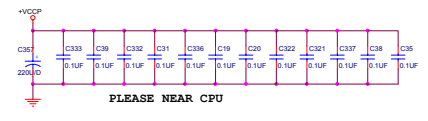
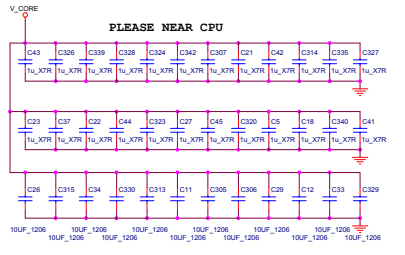
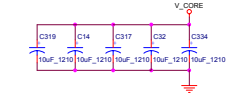
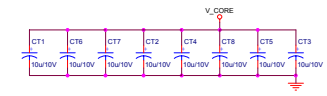
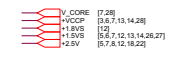
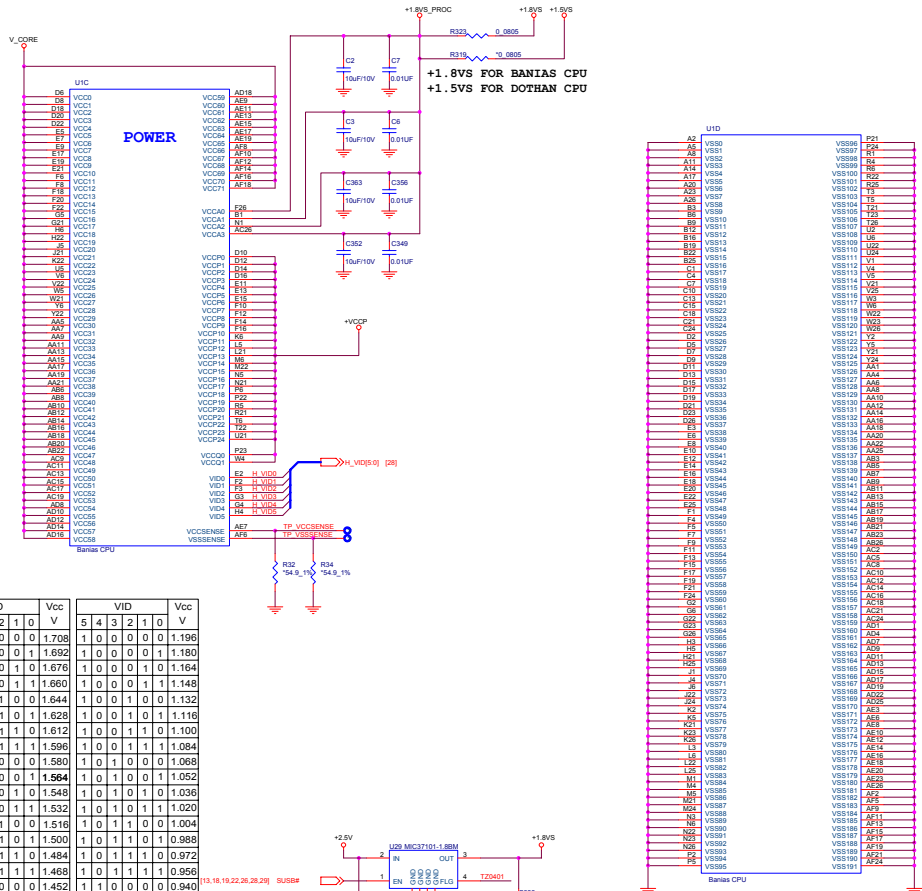
System Block Diagram



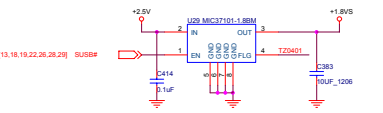
Sheet 1 of 29
System Block
Diagram

Socket 479 - 2 of 2

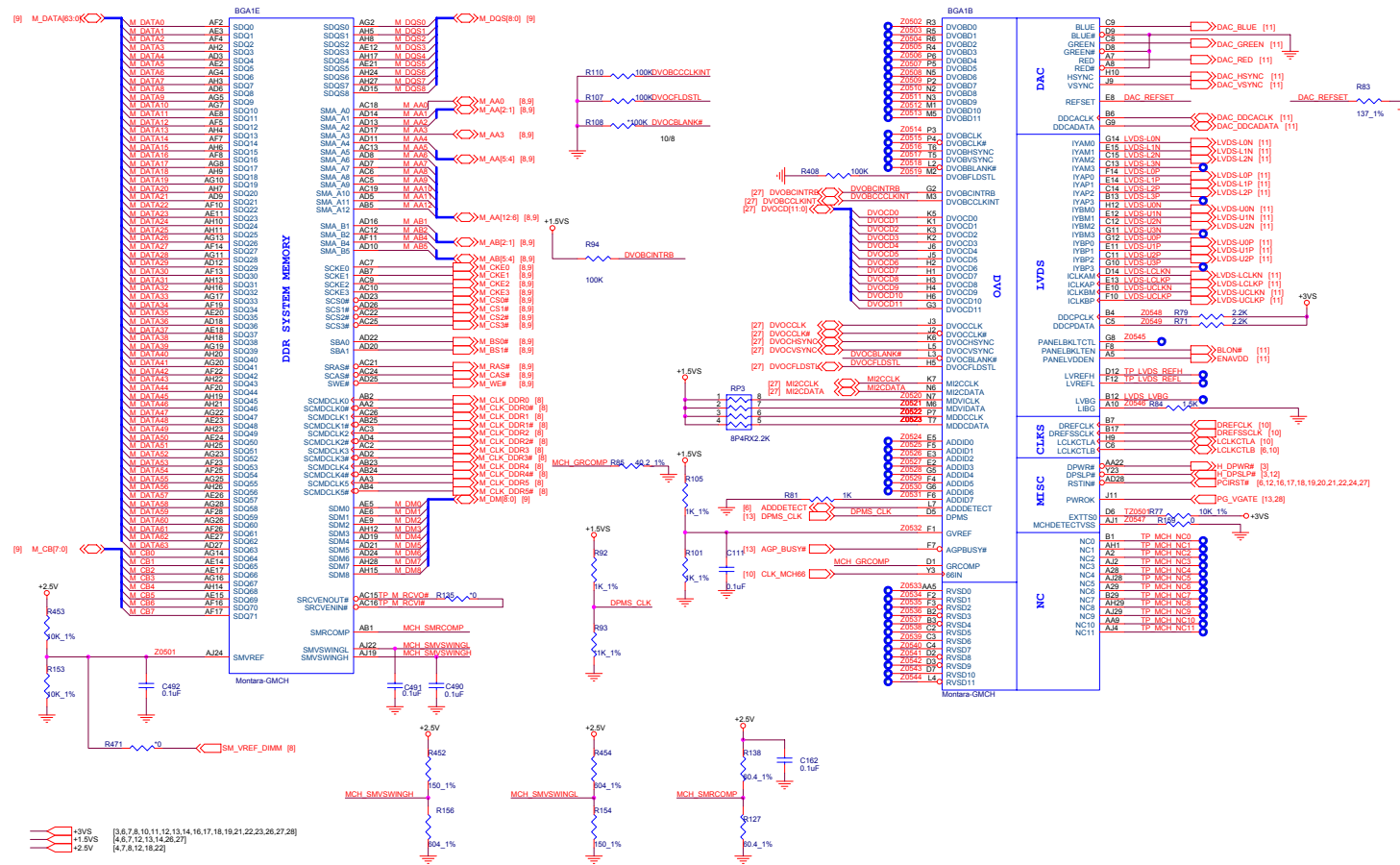
Sheet 3 of 29
Socket 478
2 of 2



VID	Vcc	VID	Vcc								
5	4	3	2	1	0	5	4	3	2	1	0
V											
0	0	0	0	0	0	1	0	0	0	0	1.196
0	0	0	0	0	1	1	0	0	0	0	1.180
0	0	0	0	1	0	1	0	0	0	1	1.164
0	0	0	0	1	1	0	0	0	1	1	1.148
0	0	0	1	0	0	1	0	0	0	1	1.132
0	0	0	1	0	1	0	0	1	1	1	1.116
0	0	0	1	1	0	1	0	1	1	0	1.100
0	0	0	1	1	1	0	1	0	1	1	1.084
0	0	1	0	0	0	1	0	1	0	0	1.068
0	0	1	0	0	1	1	0	1	0	1	1.052
0	0	1	0	1	0	1	0	1	0	0	1.036
0	0	1	0	1	1	0	1	0	1	0	1.020
0	0	1	1	0	0	1	0	1	1	0	1.004
0	0	1	1	0	1	0	1	1	0	0	0.988
0	0	1	1	1	0	0	1	1	1	0	0.972
0	0	1	1	1	1	0	1	1	1	0	0.956
0	1	0	0	0	0	1	1	0	0	0	0.940
0	1	0	0	0	1	1	0	0	0	1	0.924
0	1	0	0	1	0	1	1	0	0	0	0.908
0	1	0	0	1	1	0	0	1	1	0	0.892
0	1	0	1	0	0	1	1	0	0	0	0.876
0	1	0	1	0	1	1	0	1	0	1	0.860
0	1	0	1	1	0	1	1	0	1	0	0.844
0	1	0	1	1	1	0	1	1	1	0	0.828
0	1	1	0	0	0	1	1	1	0	0	0.812
0	1	1	0	0	1	1	1	0	0	1	0.796
0	1	1	0	1	0	1	1	0	1	0	0.780
0	1	1	0	1	1	0	1	1	1	0	0.764
0	1	1	1	0	0	1	1	1	0	0	0.748
0	1	1	1	0	1	1	1	0	1	0	0.732
0	1	1	1	1	0	1	1	1	1	0	0.716
0	1	1	1	1	1	1	1	1	1	0	0.700



Montara GM-1

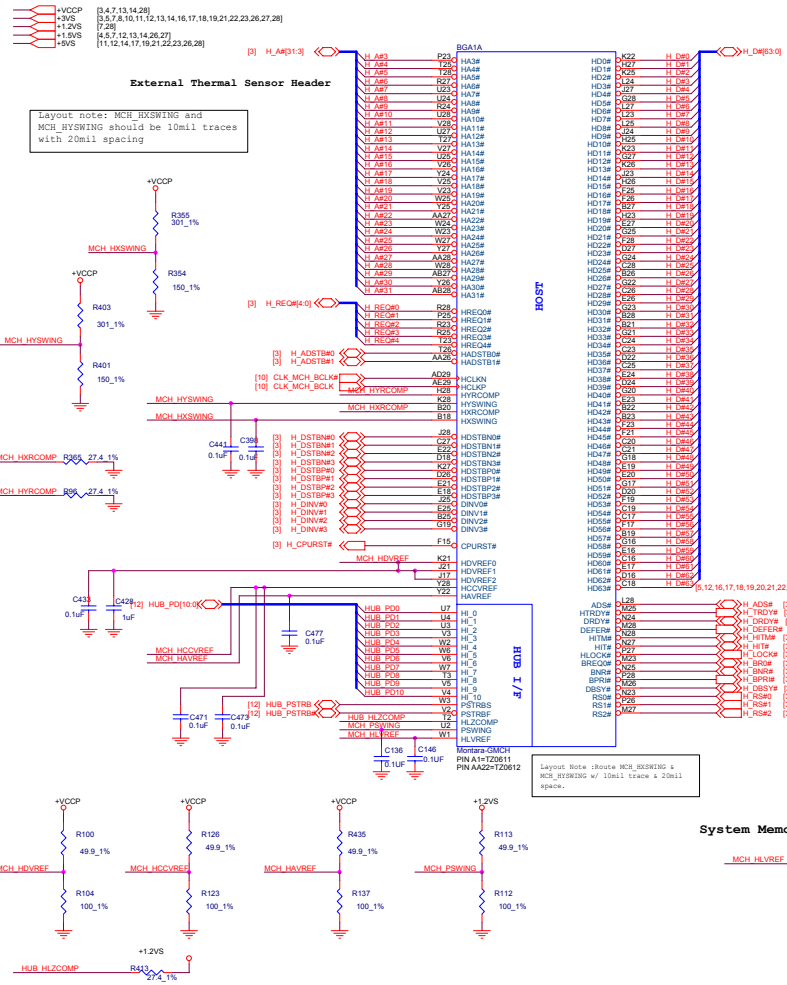


Sheet 4 of 29
Montara GM-1

B. Schematic Diagrams

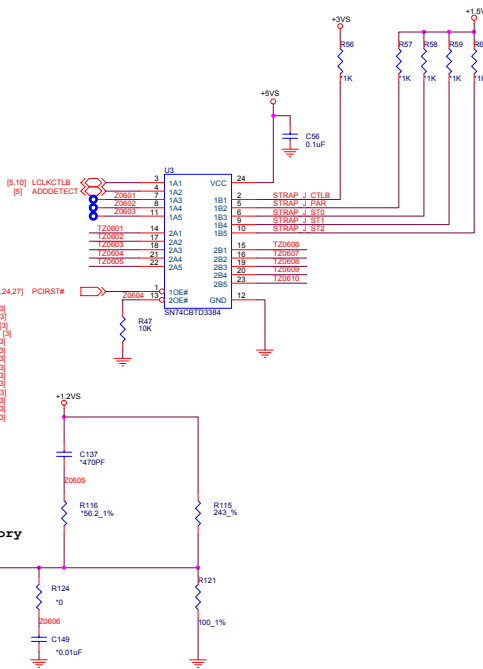
Schematic Diagrams

Montara GM-2



	FUNCTION	Board Default	Optional Override
R56	PSB Voltage Select	No JMP for 1.2VS	1.05V
R57	DVO Strap	No JMP for DVO	RESERVED
R58	CLOCK Configuration Straps	NO JMP	
R59		NO JMP	
R60		NO JMP	

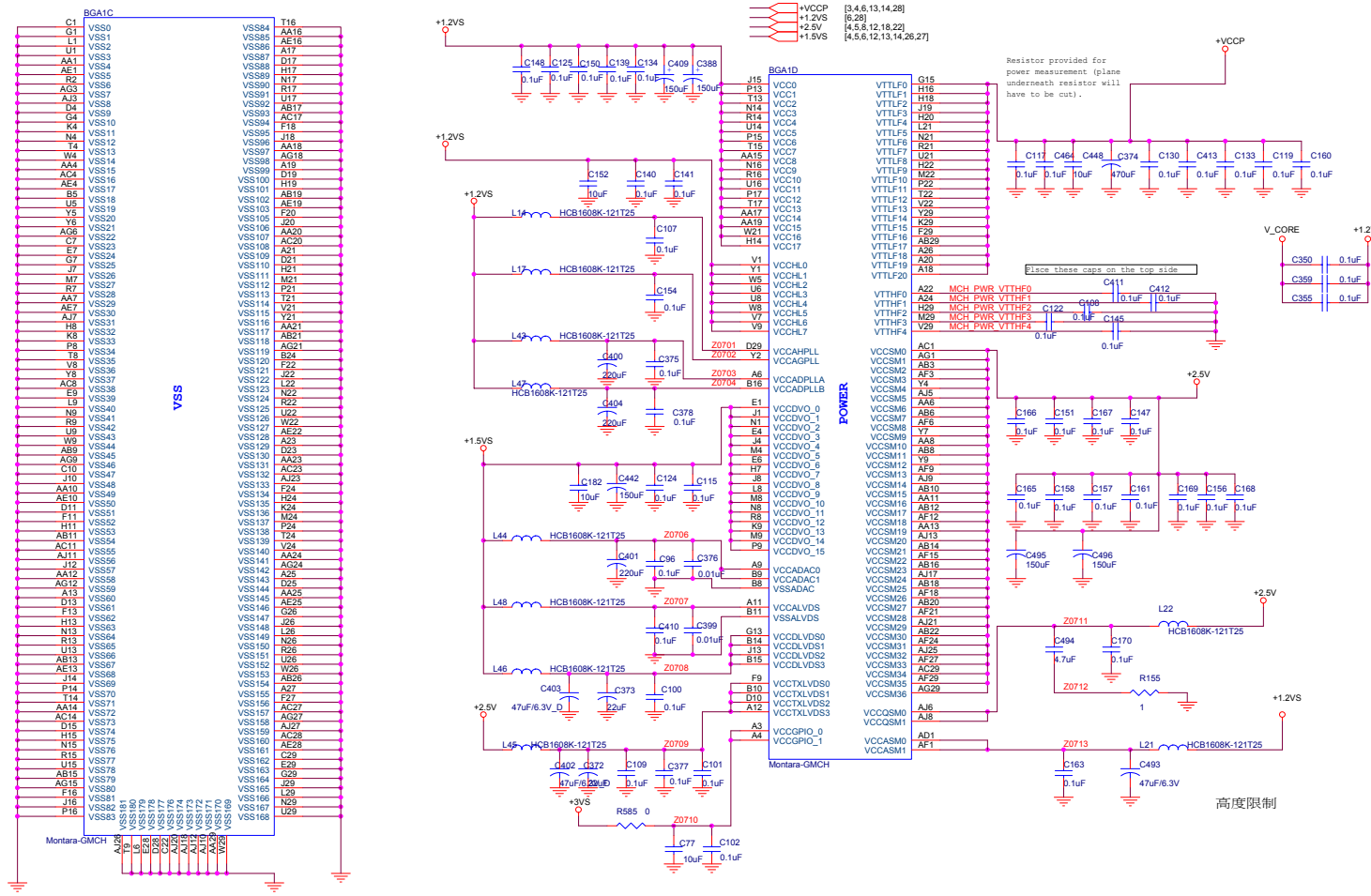
GMCH Strapping Options



B.Schematic Diagrams

Sheet 5 of 29
Montara GM-2

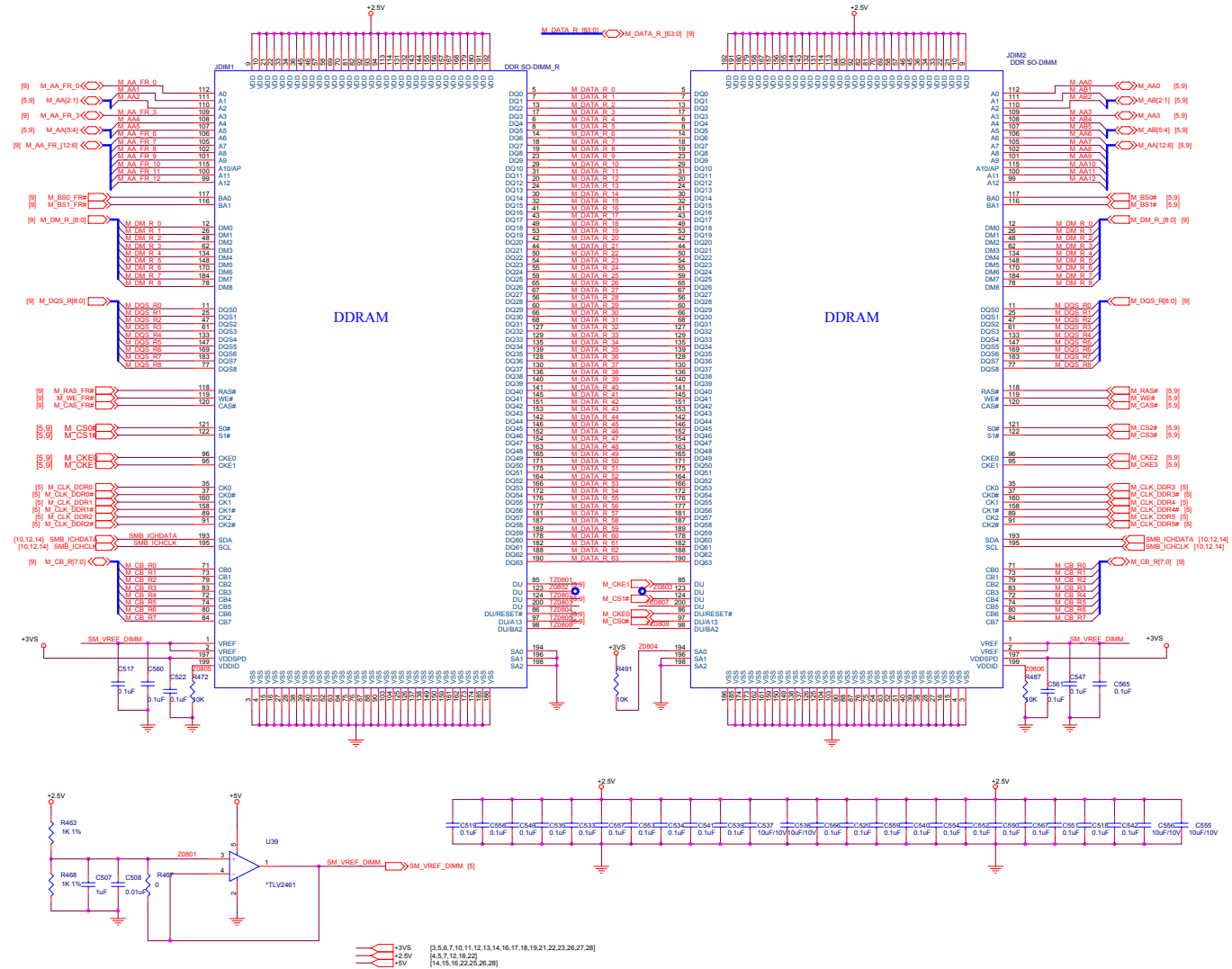
Montara GM-3



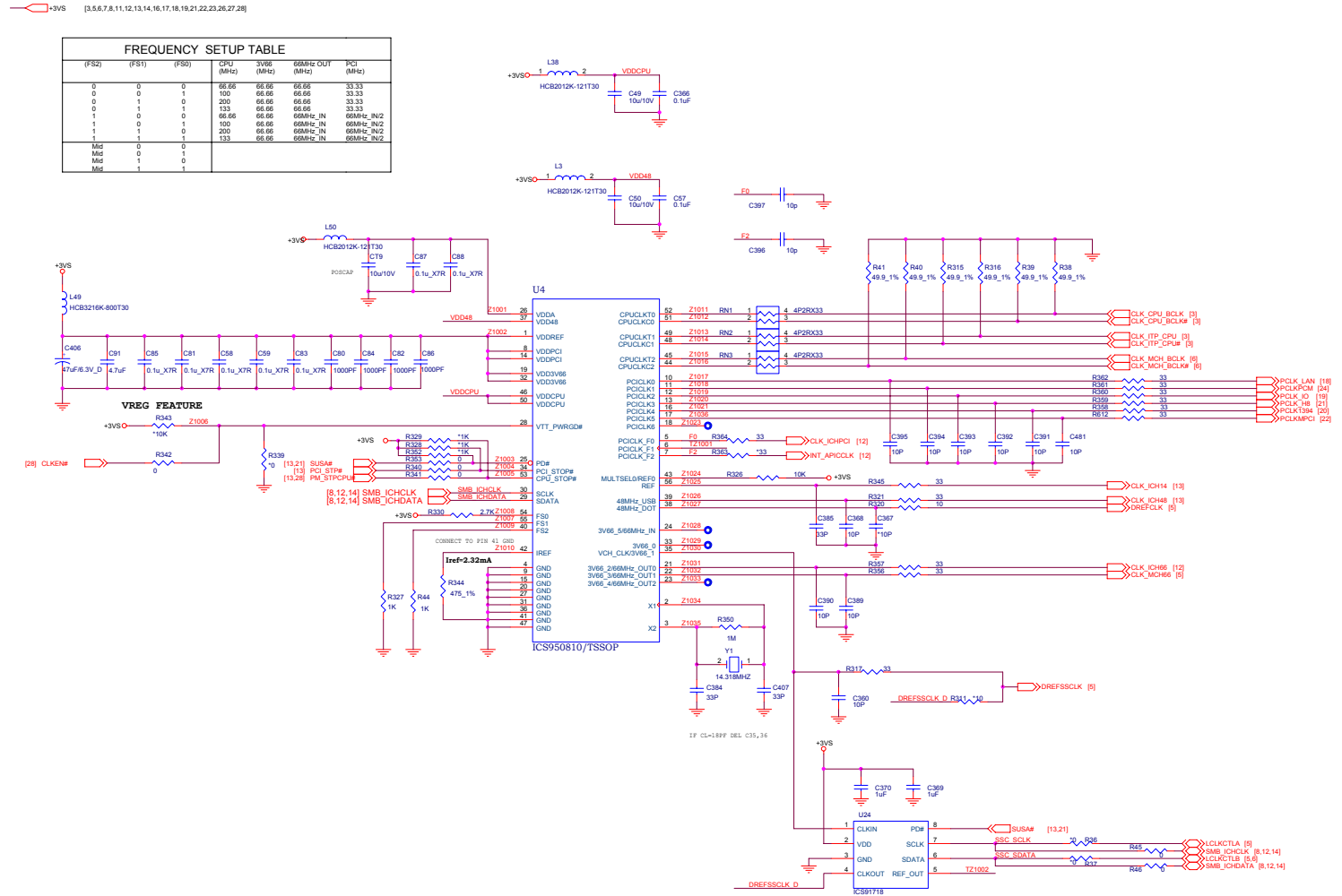
Sheet 6 of 29
Montara GM-3

B. Schematic Diagrams

DDR4M



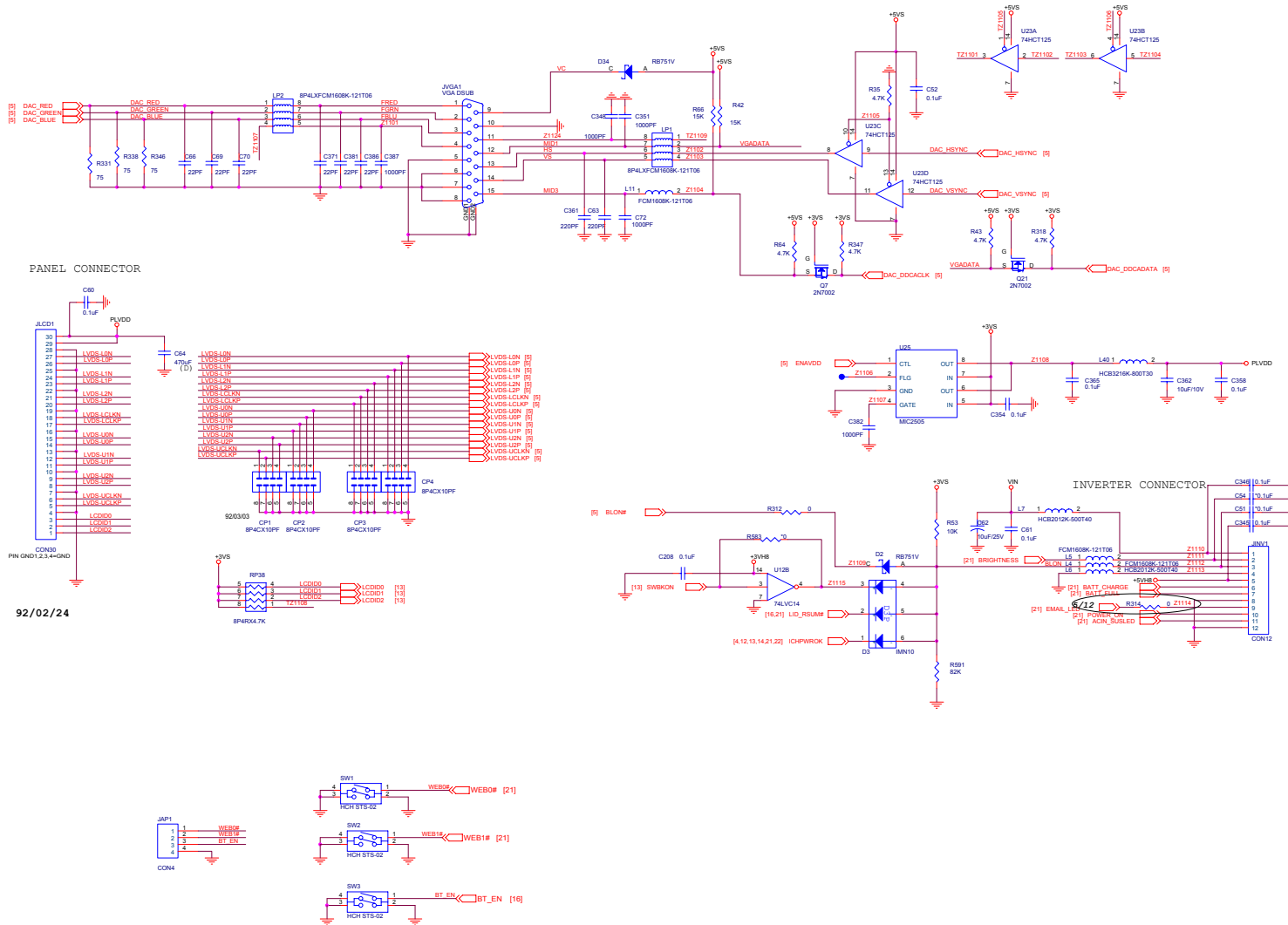
Clock Generator



Sheet 9 of 29
Clock Generator

LVDS; CRT

VIN [22,26,28]
 +3V3 [3,16,7,8,10,12,13,14,16,17,18,19,21,22,23,26,27,28]
 +5V3 [6,12,14,17,19,21,22,23,26,28]

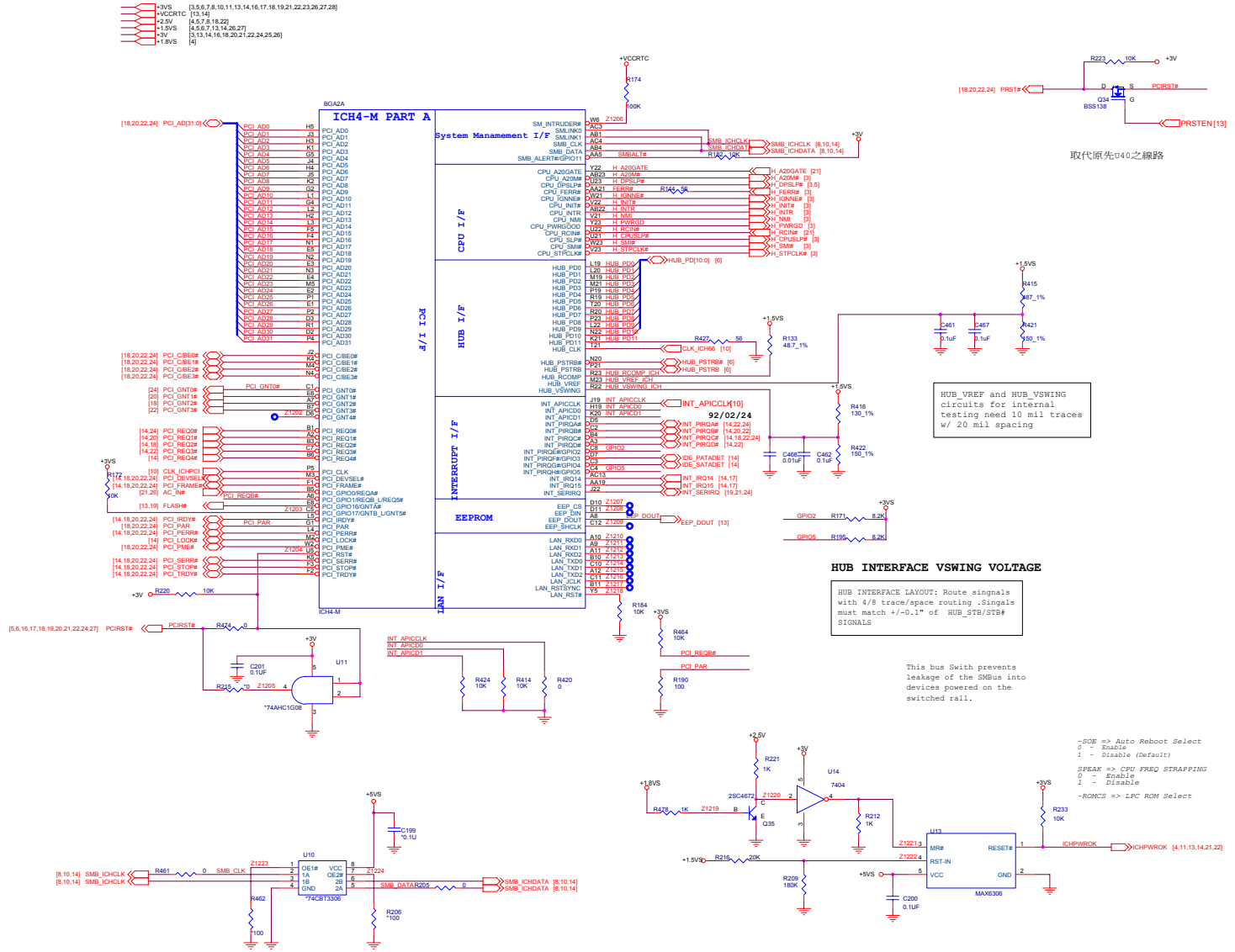


Sheet 10 of 29
 LVDS; CRT

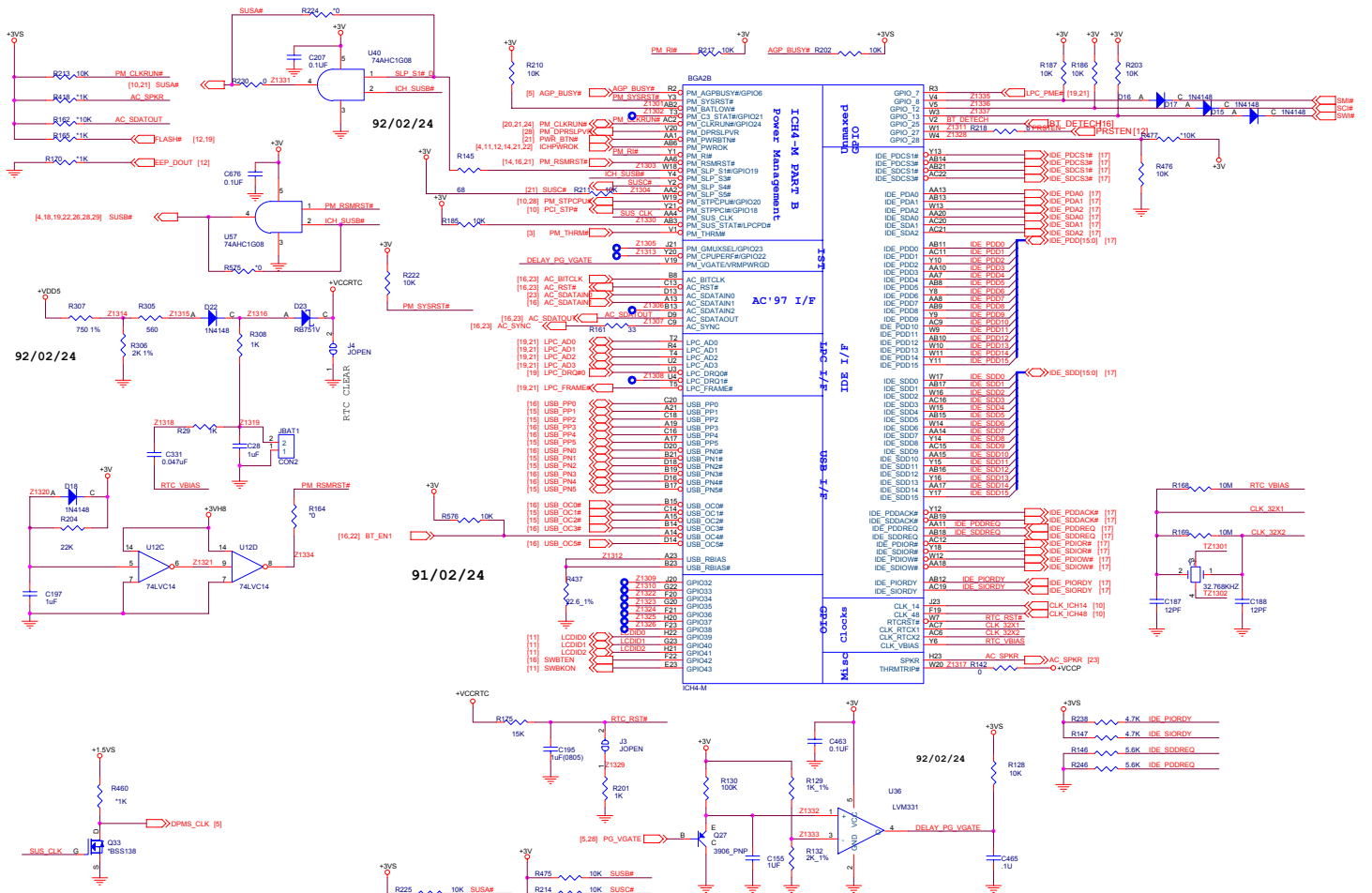
B. Schematic Diagrams

ICH4-1 (1 of 3)

Sheet 11 of 29
ICH4-1
(1 of 3)



ICH4-2 (2 of 3)

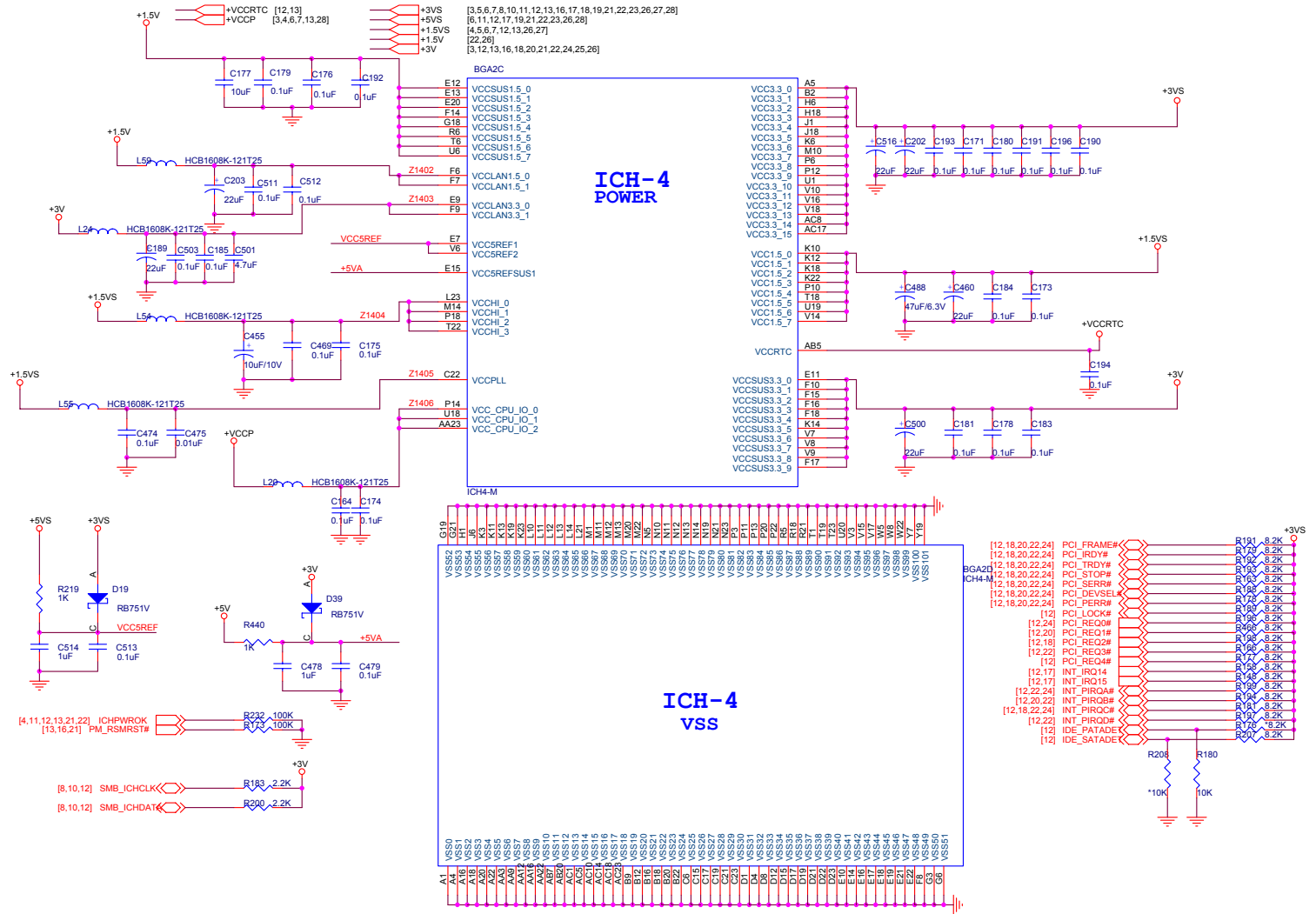


Sheet 12 of 29
ICH4-2
(2 of 3)


B. Schematic Diagrams

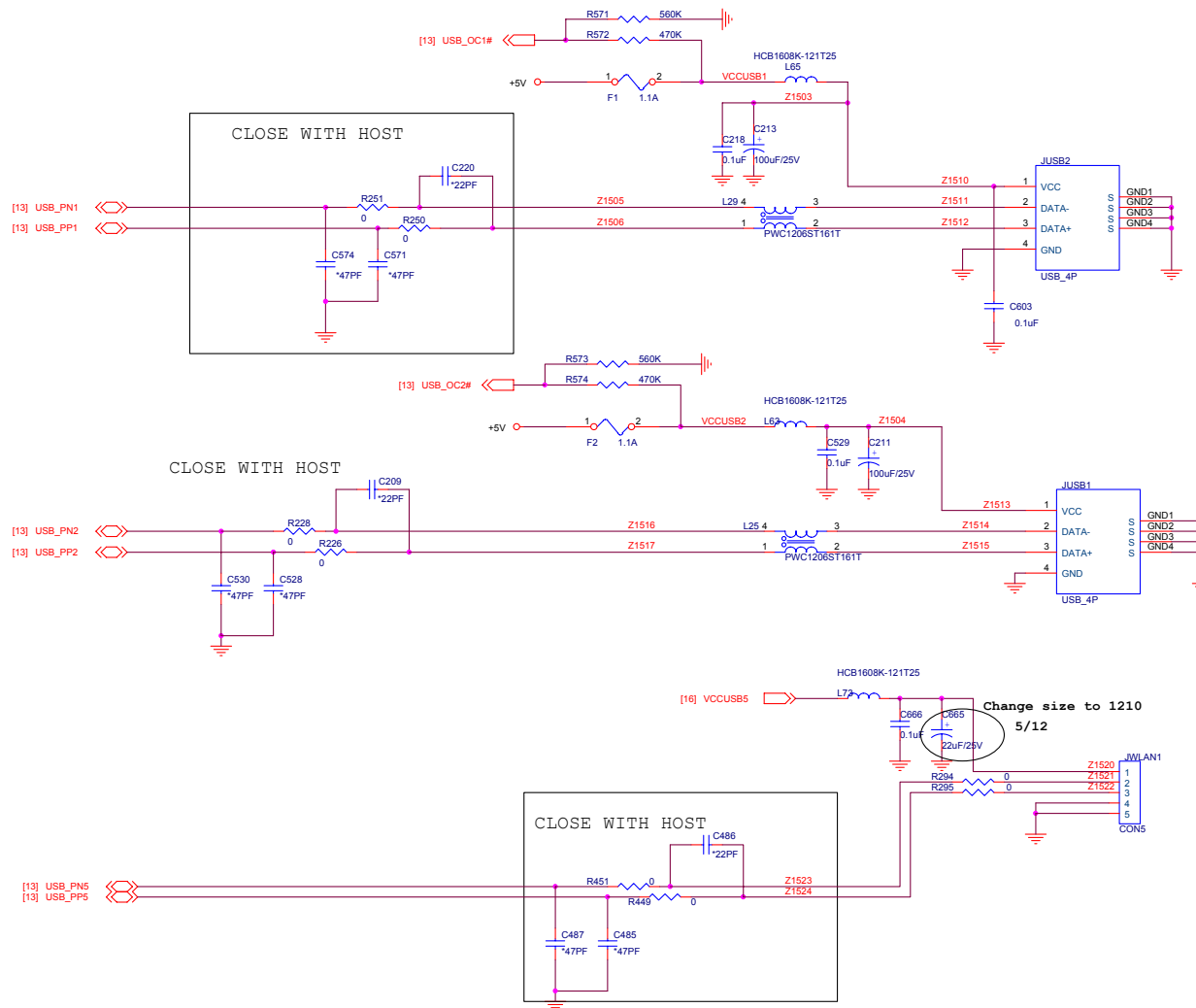
ICH4-3 (3 of 3)

Sheet 13 of 29
ICH4-3
(3 of 3)



USB 2.0, Wireless LAN

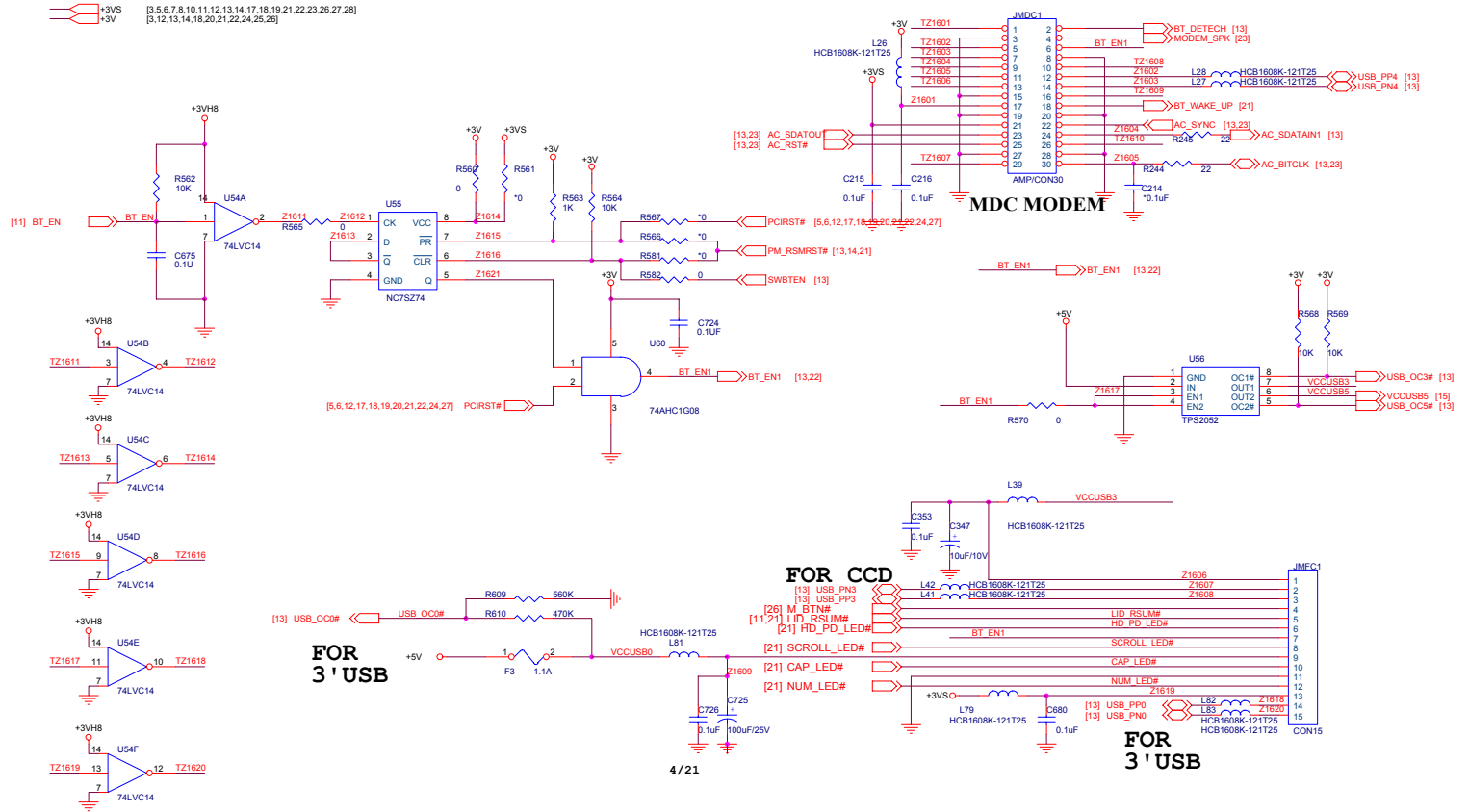

 [3,5,6,7,8,10,11,12,13,14,16,17,18,19,21,22,23,26,27,28]
 [6,11,12,14,17,19,21,22,23,26,28]



Sheet 14 of 29
USB 2.0,
Wireless LAN

MDC, BT, CCT

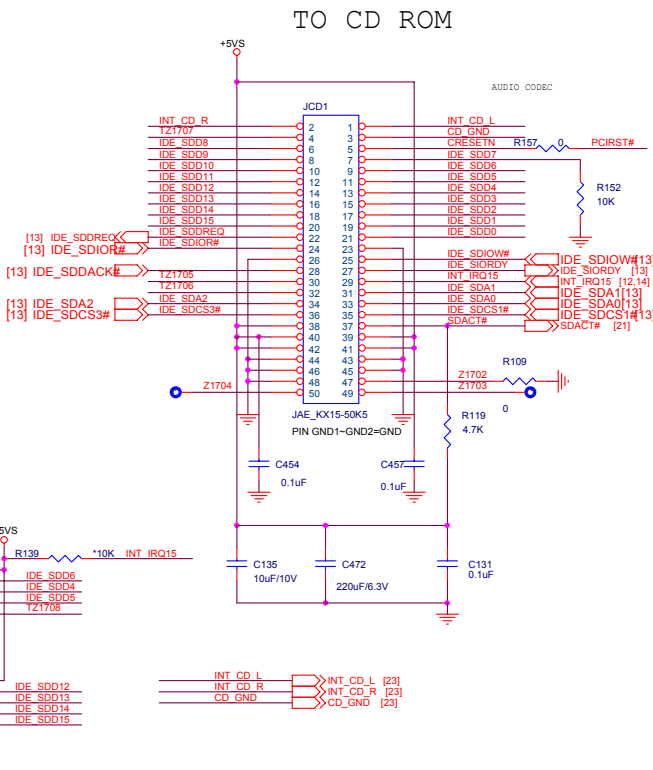
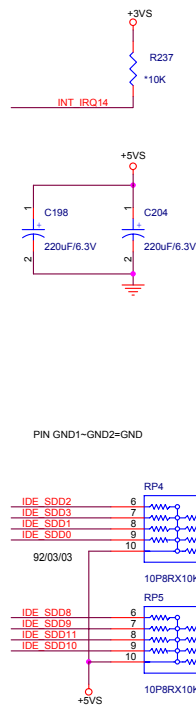
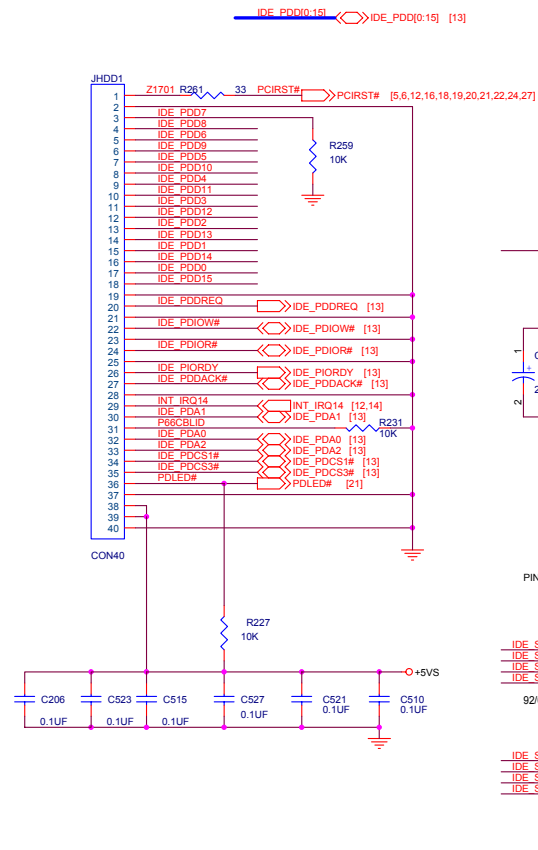
Sheet 15 of 29
MDC, BT, CCT



HDD, CDROM



[6,11,12,14,19,21,22,23,26,28]
[3,5,6,7,8,10,11,12,13,14,16,18,19,21,22,23,26,27,28]



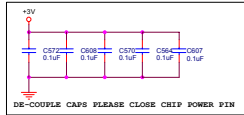
Sheet 16 of 29
HDD, CDROM

B.Schematic Diagrams

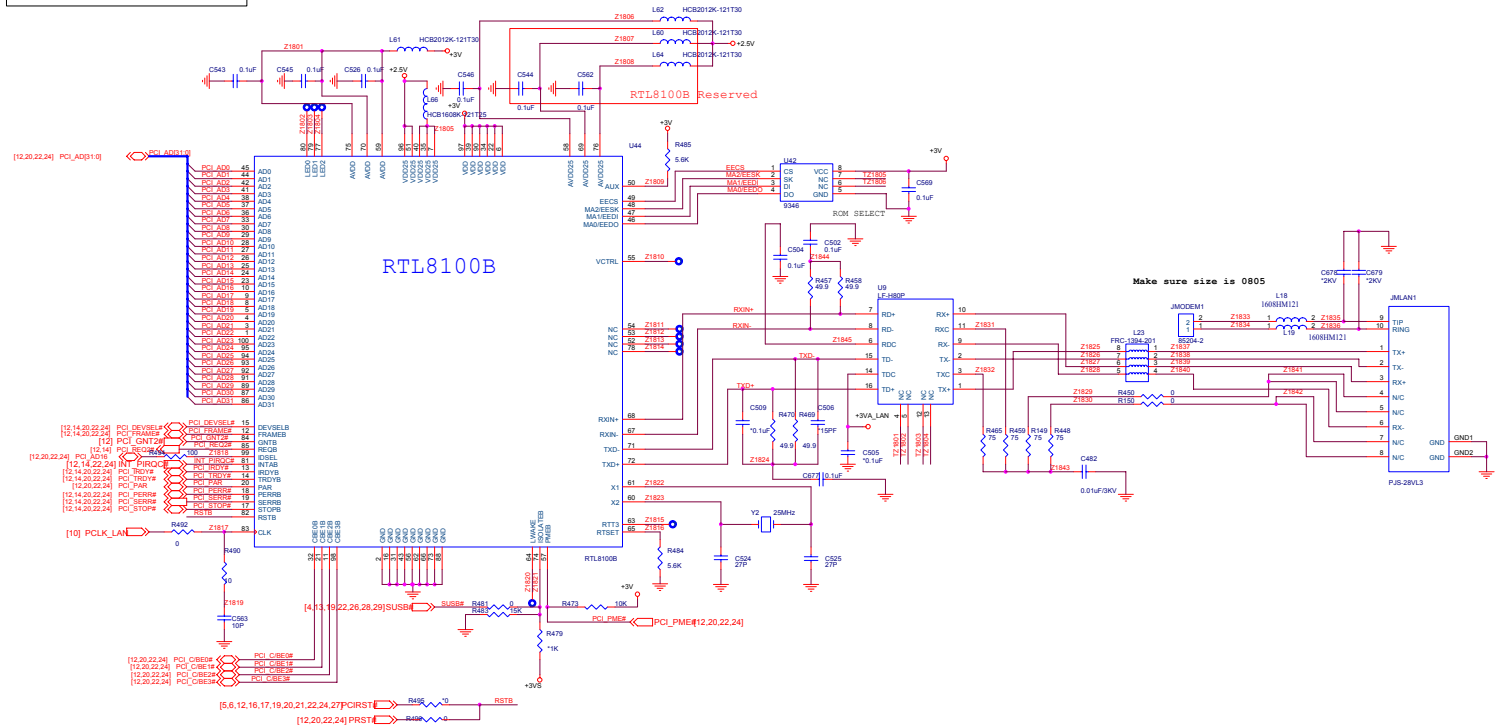
LAN RTL8100BL

Sheet 17 of 29
LAN RTL8100BL

2.5V [4,6,7,8,12,23]
3V [3,12,13,14,16,20,21,22,24,25,26]

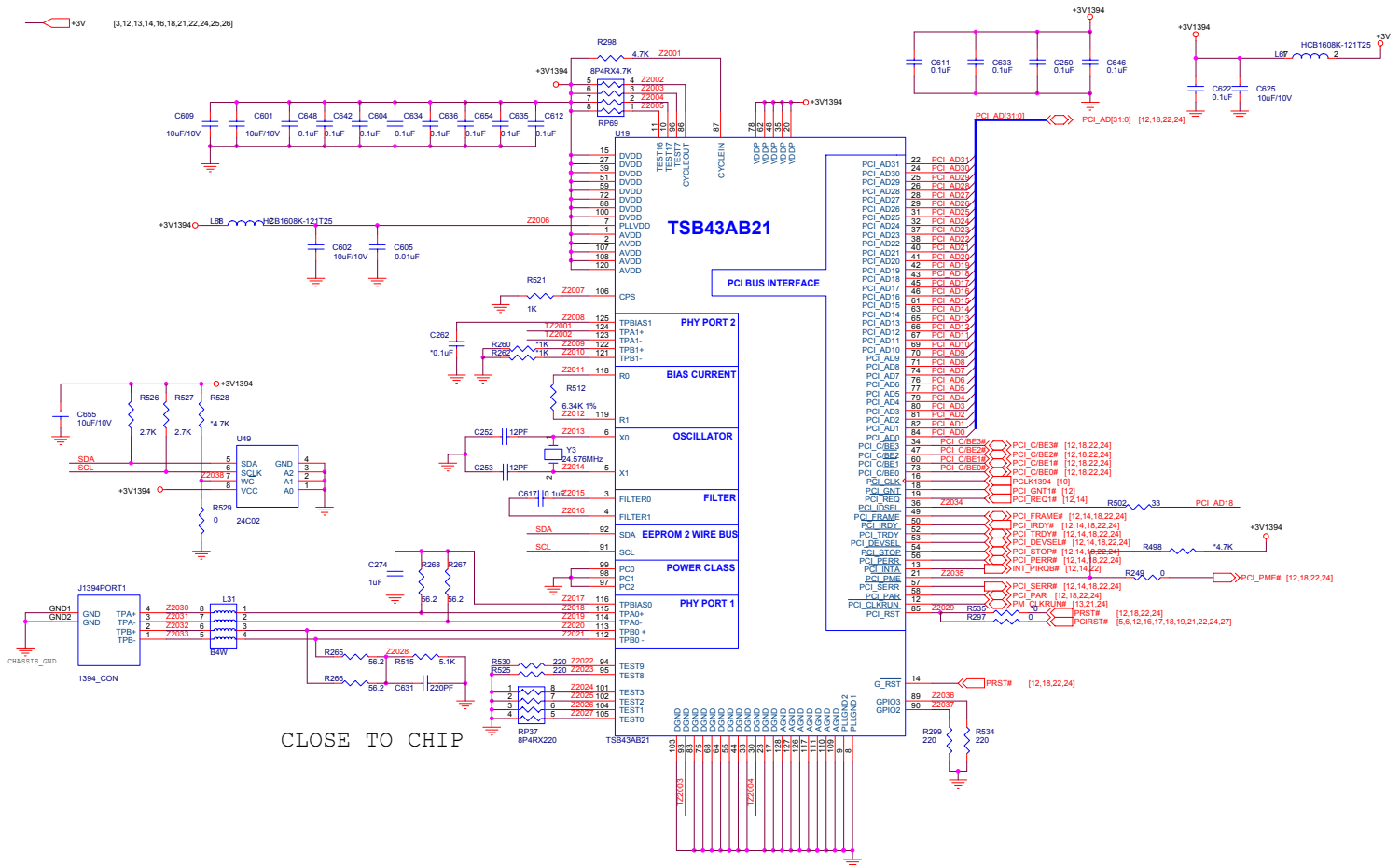


*For RTL8100C application, all bead must be rated 300mA/100ohm@100kHz
The maximum voltage drop when on should be less than 0.3V

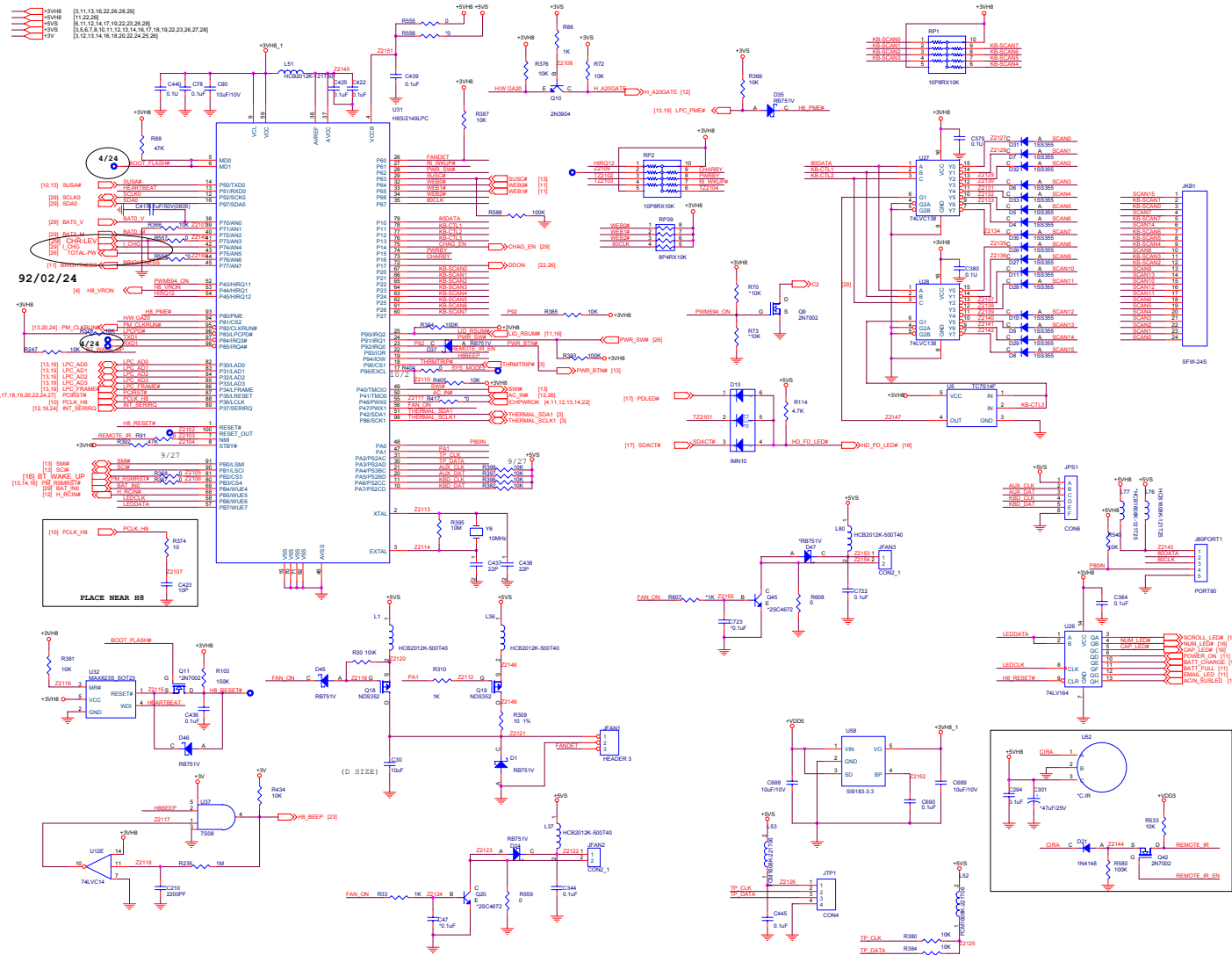


TI1394 (TSB43AB21)

Sheet 19 of 29
TI1394
(TSB43AB21)



Hitachi H8S

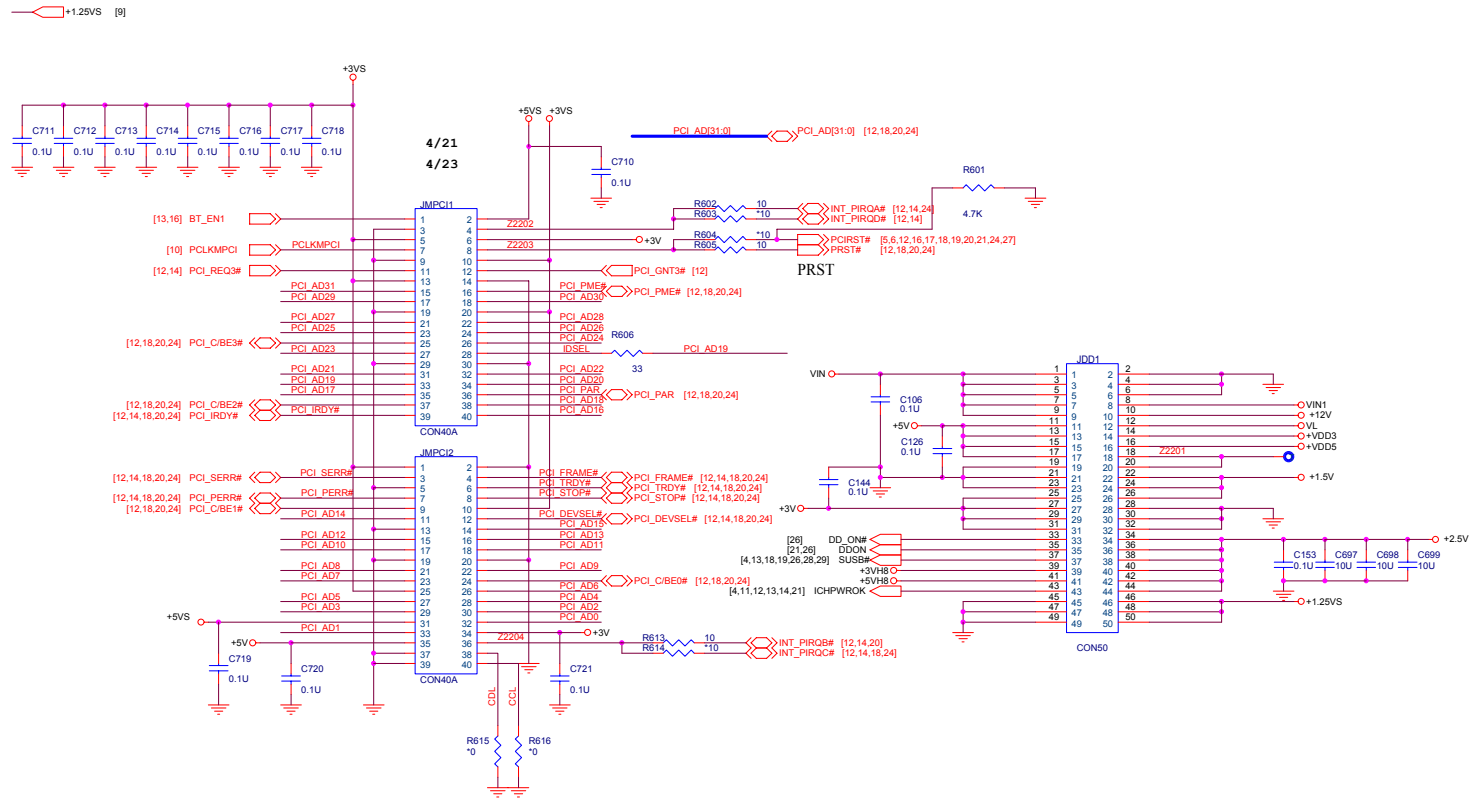


Sheet 20 of 29
Hitachi H8S

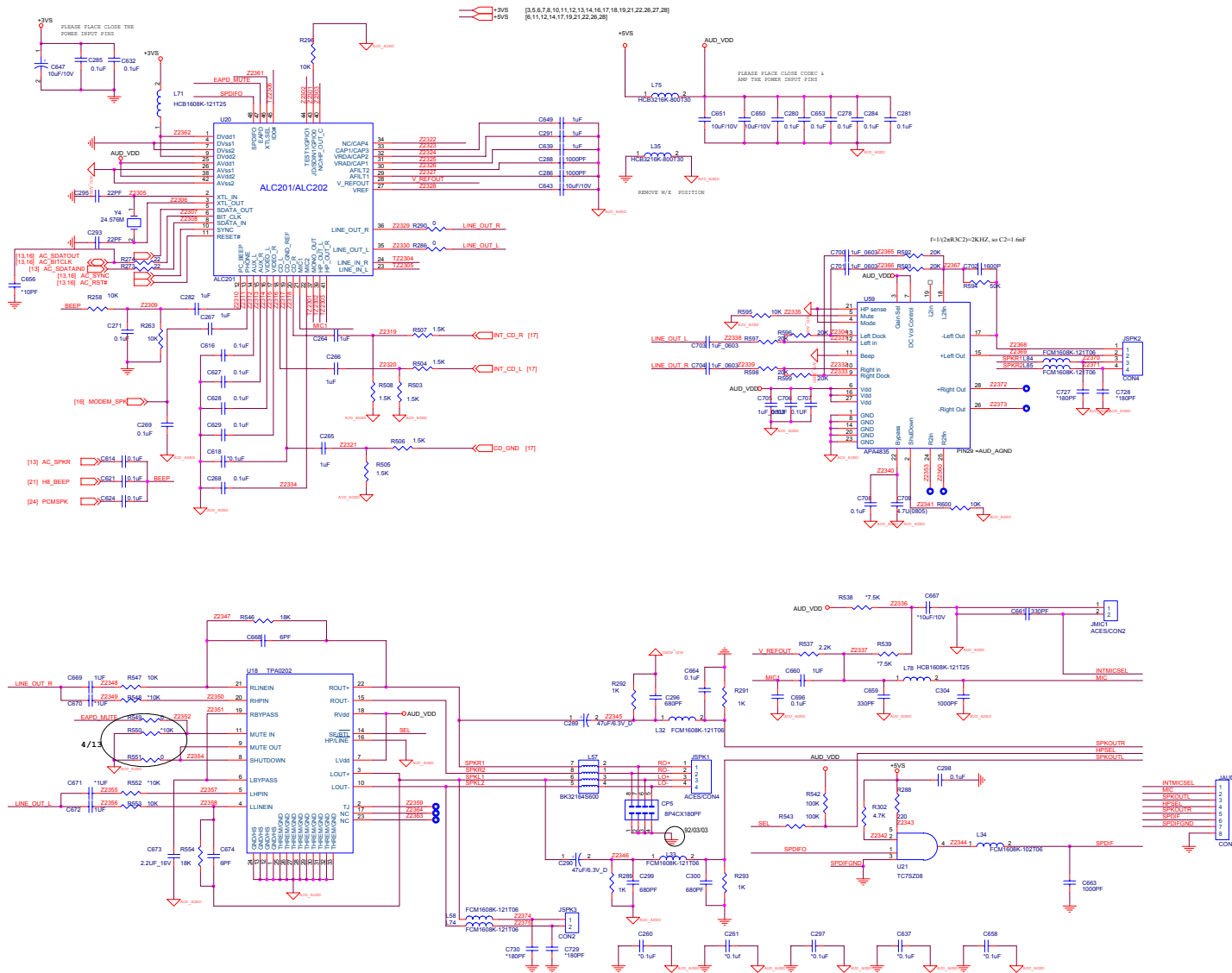
B. Schematic Diagrams

CON

Sheet 21 of 29
CON



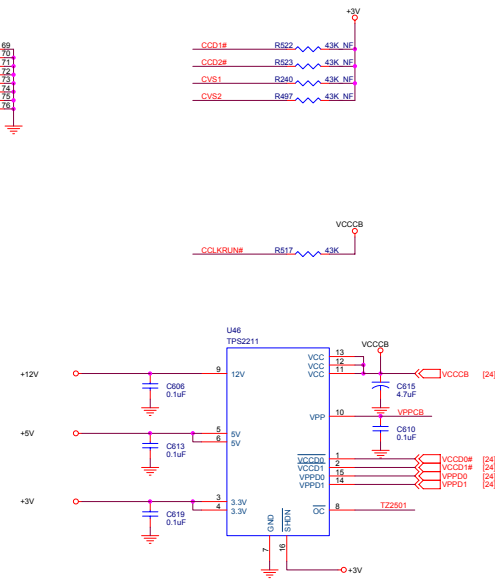
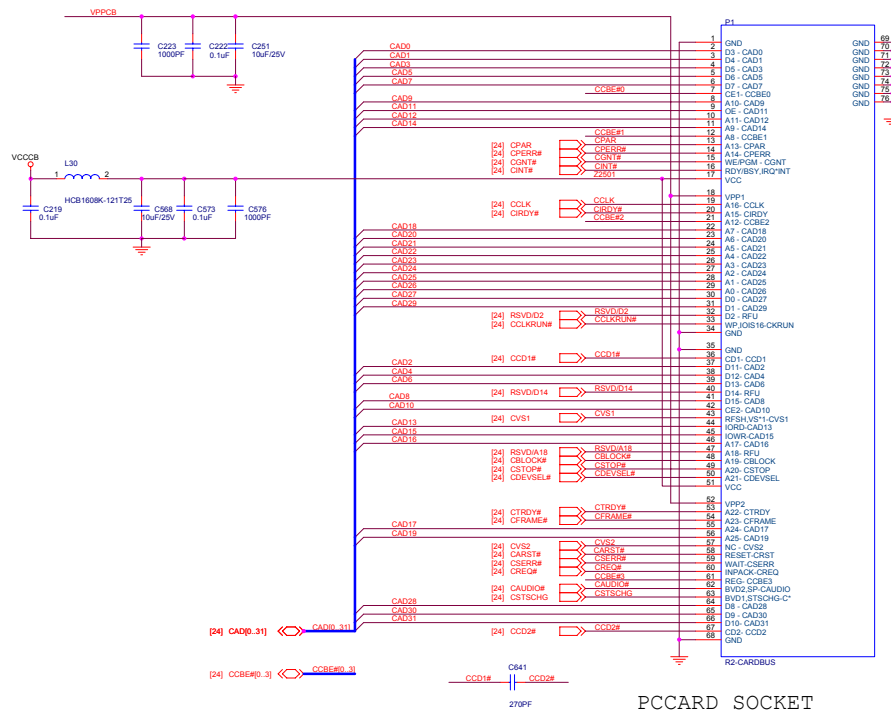
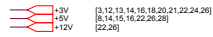
Audio Codec ALC201



Sheet 22 of 29
Audio Codec
ALC201

B.Schematic Diagrams

PCMCIA Socket

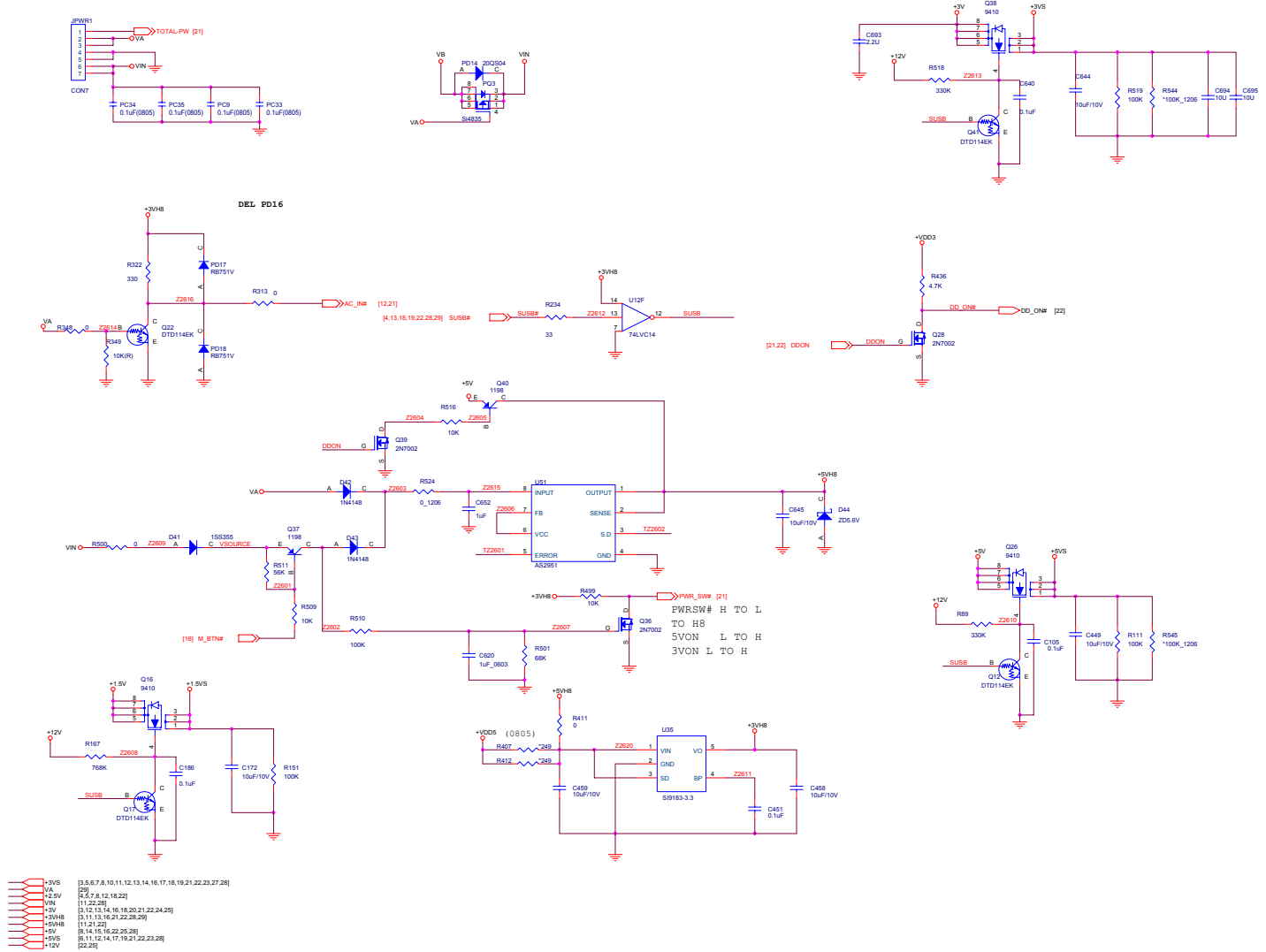


Sheet 24 of 29
PCMCIA Socket

B. Schematic Diagrams

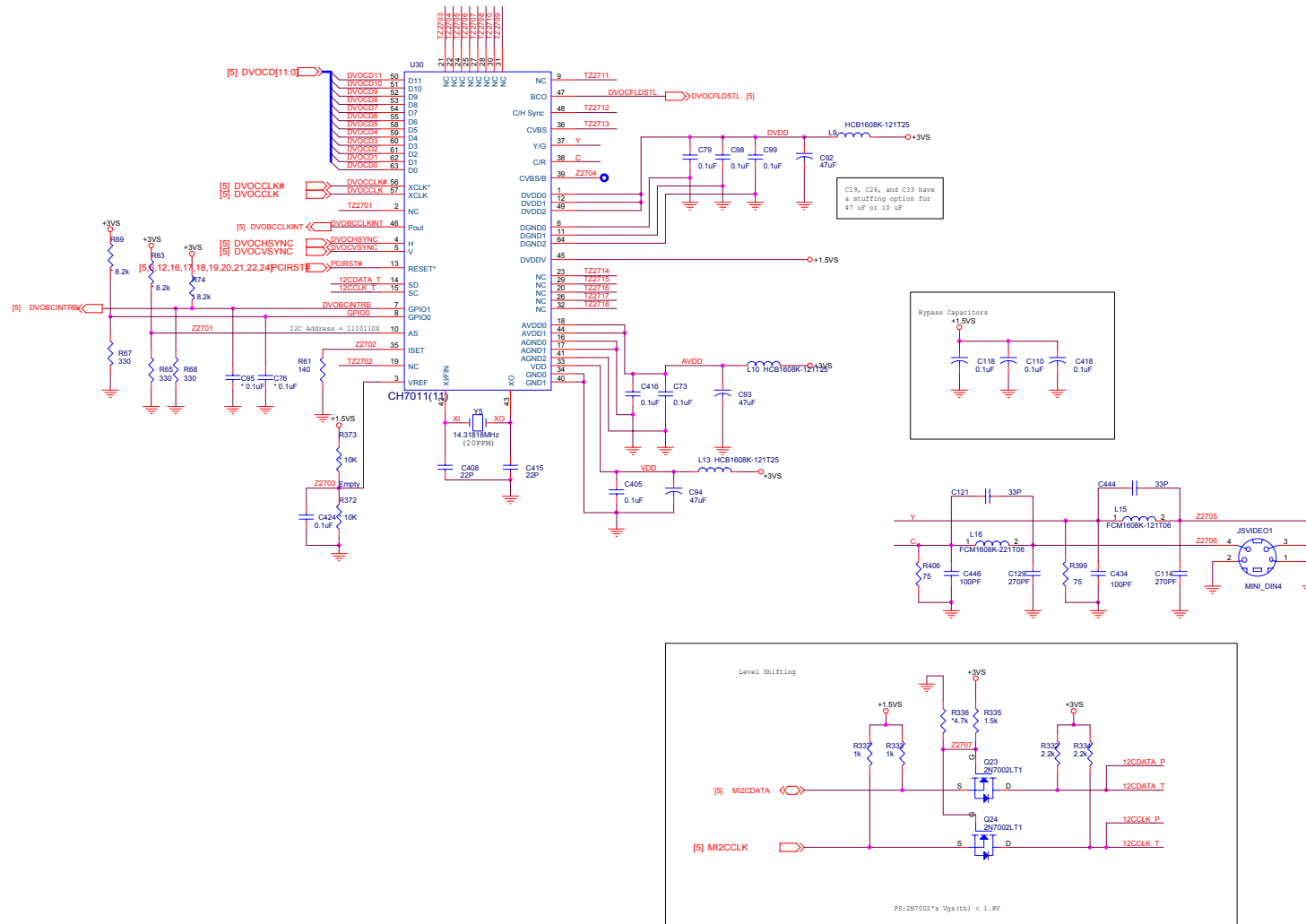
AC IN; Power Button

Sheet 25 of 29
AC IN; Power Button



CH7011; TV-Out

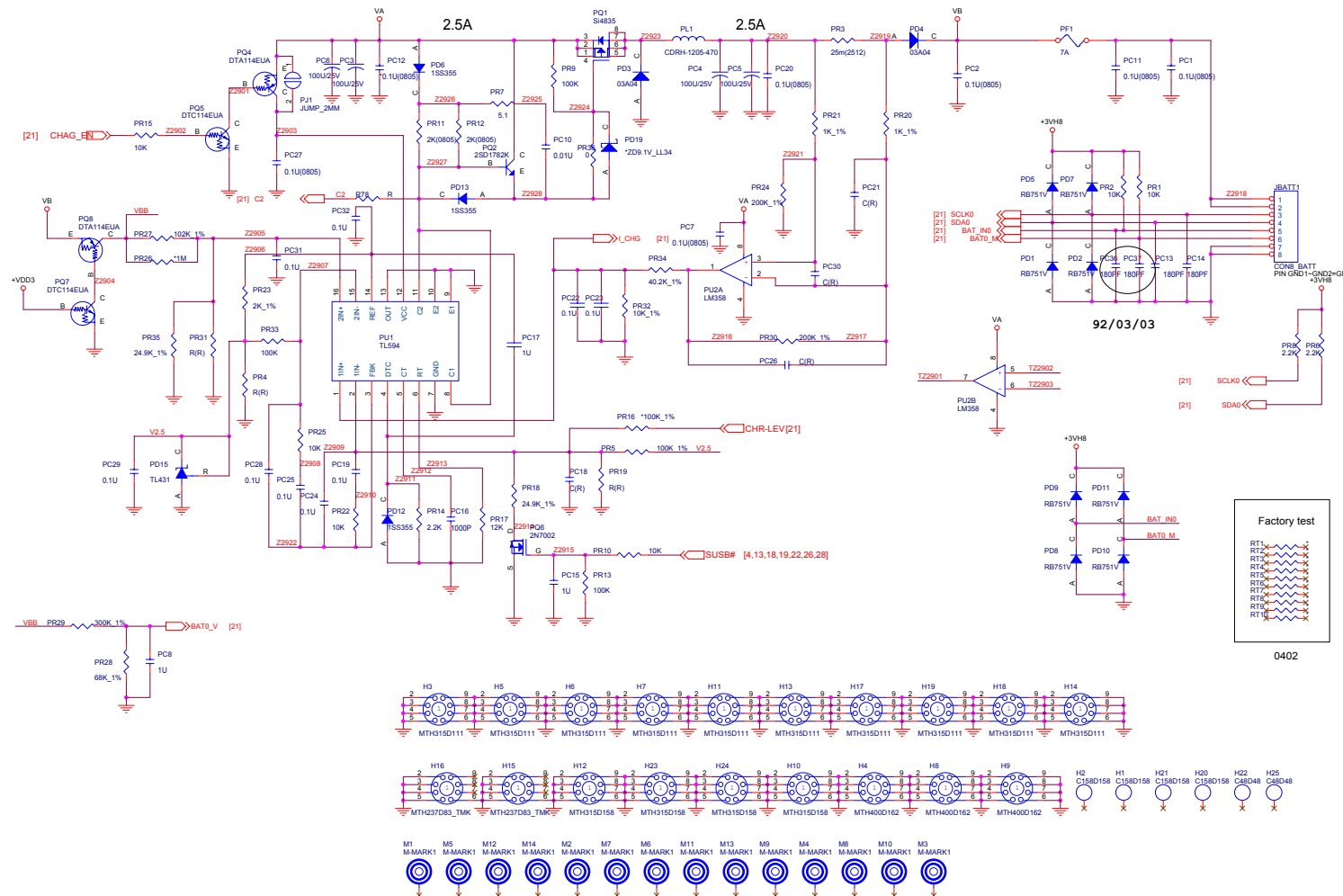
— +3VS [3,5,6,7,8,10,11,12,13,14,16,17,18,19,21,22,23,26,28]
— +4VS [6,11,12,14,17,19,21,22,23,26,28]
— +1.5VS [4,5,6,7,12,13,14,28]



Sheet 26 of 29
CH7011; TV-Out

B. Schematic Diagrams

Charger



Sheet 28 of 29
Charger

B. Schematic Diagrams

Schematic Diagrams

Multi-Function Board

B.Schematic Diagrams

Sheet 29 of 29
Multi-Function
Board

