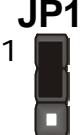




Setting Jumpers

Jumper Settings

Jumper	Type	Description	Setting (default)
JP1	3-pin	BIOS flash protection jumper	1-2: Disable 2-3: Enable 
JP2	3-pin	Clear CMOS jumper	1-2: Normal 2-3: Clear CMOS 
JP3 JP4 JP5 JP6 JP7	3-pin	CPU core voltage select jumper	

JP1: BIOS Flash Protect Jumper

This jumper is used to protect the BIOS from being unintentionally flashed. Enable this jumper for protection and disable this jumper when you want to flash the BIOS.

JP2: Clear CMOS Jumper

This jumper enables you to reset the BIOS. Follow these instructions to reset the BIOS:

1. Turn the system off.
2. Short pins 2 and 3 on JP2.
3. Return the jumper to the normal setting.
4. Turn the system on. The BIOS is returned to the default settings.

Jumper 3 ~ 7: CPU Vcore adjust jumper

Use these 3 X 1 pin jumpers to manually set the CPU core voltage. Refer to the table below for pin information.

Warning: These values are set at the factory. The following information is for reference only. It is not recommended to change the settings for jumper 3 ~ 7. Please notice that the CPU will burn out if the core voltage is higher than the default value.

Jumper 3 – 7 pin settings

JP7	JP6	JP5	JP4	JP3	Vcore
1-2	1-2	1-2	1-2	1-2	Auto*
2-3	Open	Open	Open	Open	1.300
2-3	Open	Open	Open	2-3	1.350
2-3	Open	Open	2-3	Open	1.400
2-3	Open	Open	2-3	2-3	1.450
2-3	Open	2-3	Open	Open	1.500
2-3	Open	2-3	Open	2-3	1.550
2-3	Open	2-3	2-3	Open	1.600
2-3	Open	2-3	2-3	2-3	1.650
2-3	2-3	Open	Open	Open	1.700
2-3	2-3	Open	Open	2-3	1.750
2-3	2-3	Open	2-3	Open	1.800
2-3	2-3	Open	2-3	2-3	1.050
2-3	2-3	2-3	Open	Open	1.100
2-3	2-3	2-3	Open	2-3	1.150
2-3	2-3	2-3	2-3	Open	1.200
2-3	2-3	2-3	2-3	2-3	1.250
JP7	JP6	JP5	JP4	JP3	Vcore
Open	Open	Open	Open	Open	1.325
Open	Open	Open	Open	2-3	1.375
Open	Open	Open	2-3	Open	1.425
Open	Open	Open	2-3	2-3	1.475
Open	Open	2-3	Open	Open	1.525
Open	Open	2-3	Open	2-3	1.575
Open	Open	2-3	2-3	Open	1.625
Open	Open	2-3	2-3	2-3	1.675
Open	2-3	Open	Open	Open	1.725
Open	2-3	Open	Open	2-3	1.775
Open	2-3	Open	2-3	Open	1.825
Open	2-3	Open	2-3	2-3	1.075
Open	2-3	2-3	Open	Open	1.125
Open	2-3	2-3	Open	2-3	1.175
Open	2-3	2-3	2-3	Open	1.225
Open	2-3	2-3	2-3	2-3	1.275

