

Quick Jumper Setting Reference

If you are familiar with most of the material in this chapter, you can begin preparing the mainboard for installation by using this quick reference to begin setting the jumpers. A detailed description of the jumper setting appears later in this chapter.

JP1: Clear CMOS jumper

Use this jumper to clear the system CMOS. Before clearing CMOS, the AC power should be disconnected.

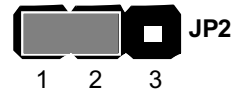
Function	Jumper Setting
Normal operation	Short pins 1-2
Clear CMOS	Short pins 2-3



JP2: USB port 1-2 wake-up jumper

Use this jumper to enable device activity on USB ports 1-2 to power on the computer.

Function	Jumper Setting
Disable	Short pins 1-2
Enable	Short pins 2-3



JP4: Codec selector jumper

Use this jumper to select either onboard or AMR slot codec.

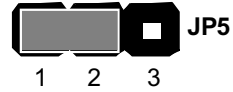
Function	Jumper Setting
Use on board codec	Short pins 1-2
Use AMR slot codec	Short pins 2-3



JP5: BIOS write protect jumper

Use this jumper to make the BIOS read-only.

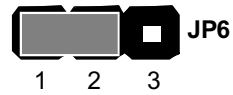
Function	Jumper Setting
Disable	Short pins 1-2
Enable	Short pins 2-3



JP6: USB port 3-4 wake-up jumper

Use this jumper to enable device activity on USB ports 3-4 to power on the computer.

Function	Jumper Setting
Disable	Short pins 1-2
Enable	Short pins 2-3



JP7: Onboard codec mode

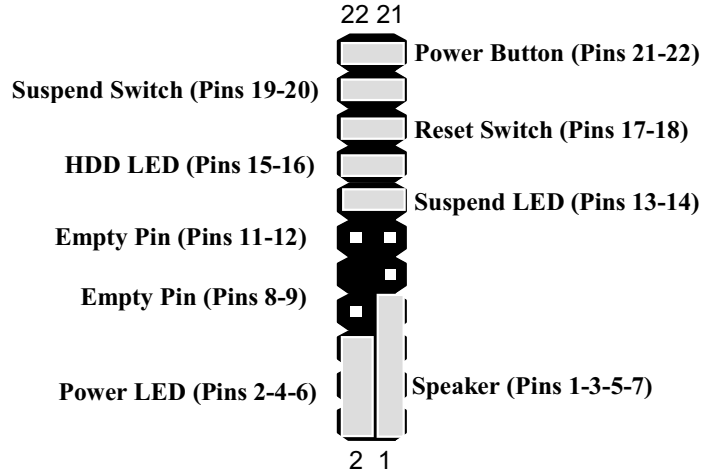
Use this jumper to define the onboard codec mode function.

Function	Jumper Setting
Master	Open
Slave	Short



PANEL1: Panel connectors for switches and indicators

Use the panel connector to implement the switches and indicators on your system case.



Function	Pins
Speaker	1, 3, 5, 7
Power LED Indicator	+2, 4, 6
Empty Pin	8, 9
Empty Pin	11, 12
Suspend LED Indicator	+13, 14
Hard Disk LED Indicator	+15, 16
Reset Switch	17, 18
Suspend Switch	19, 20
Power Button	21, 22

Note: The plus sign (+) indicates a pin which must be connected to a positive voltage.