
Federal Communications Commission (F.C.C) Statement

This device complies with Part 15 of the FCC Rules. Operation of this device is subject to the following two conditions: (1) this device may not cause harmful interference, and (2) this device must accept any interference received, including interference that may cause undesired operation.

Accessories: This device has been tested and found to comply with the limits of a Class B digital device, the accessories associated with this equipment are as follows:

1. Shielded serial cable. (Can be obtained from multiple retail outlets)
2. Shielded printer cable. (Can be obtained from multiple retail outlets)
3. Shielded video cable. (Can be obtained from multiple retail outlets)
4. Shielded power cord. (Provided by manufacturer)

These accessories are required to be used in order to ensure compliance with FCC Rules. It is the responsibility of the user to provide and use these accessories properly.

This equipment has been tested and found to comply with the limits of a Class B digital device, pursuant to Part 15 of the FCC Rules. These limits are designed to provide reasonable protection against harmful interference in a residential installation. This equipment generates, uses and can radiate radio frequency energy and, if not installed and used in accordance with the instructions, may cause harmful interference to radio communications. However, there is no guarantee that interference will not occur in a particular installation. If this equipment does cause harmful interference to radio or television reception, which can be determined by turning the equipment off and on, the user is encouraged to try to correct the interference by one or more of the following measures:

1. Reorient / Relocate the receiving antenna.
 2. Increase the separation between the equipment and receiver.
 3. Connect the equipment into an outlet on a circuit different from that to which the receiver is connected.
 4. Consult the dealer or an experienced radio/TV technician for help.
-

Caution: Changes or modifications not expressly approved by the manufacturer could void the user's authority to operate the equipment.

Disclaimer

The Vendor makes no representations or warranties with respect to the contents here of and specially disclaims any implied warranties of merchantability or fitness for any purpose. Further the Vendor reserves the right to revise this publication and to make changes from time to time in the contents here of without obligation to notify any party beforehand. Duplication of this publication, in part or in whole, is not allowed without first obtaining the Vendor's approval in writing.

Trademarks and Remarks

MS-DOS, Windows, Windows NT, and Windows 9x are products of Microsoft Corp, with its ownership of trademark, and are distributed by the Vendor under a license agreement.

All trademarks used in this manual are the property of their respective owners.

Copyright(C) 1992
All Rights Reserved

Canadian D.O.C. Statement

This digital apparatus does not exceed the Class B limits for radio noise emissions from digital apparatus as set out in the radio interference regulations of the Canadian Department of Communications.

Cet appareil numérique n'émet pas de bruits radioélectriques dépassant les limites appliqués aux appareils numériques de Class B prescrits dans le règlement du brouillage radioélectrique édicté par le ministère Des Communications du Canada.

Contents

Introduction	1-1
1 Motherboard Description	1-2
1.1 Features	1-2
1.1.1 Hardware	1-2
1.1.2 Software	1-5
1.1.3 Attachments	1-5
1.2 Motherboard Installation	16
1.2.1 Layout of Motherboard	1-6
1.3 Motherboard Connectors	1-7
1.3.1 Front Panel Connectors (J12)	1-8
1.3.2 Floppy Disk Connector (J10)	1-10
1.3.3 Hard Disk Connectors (J4/J5)	1-10
1.3.4 ATX 20-pin Power Connector (J13)	1-11
1.4 Back Panel Connectors	1-12
1.4.1 USB Connectors (J11)	1-12
1.4.2 PS/2 Mouse Connector (J14)	1-12
1.5 Serial and Parallel Interface Ports	1-13
1.6 CPU Installation/Jumper Setting	1-17
1.6.1 CPU Installation Procedure	1-17
1.6.2 CPU Ratio Select (SW1)	1-18
1.6.3 Host Bus Frequency (JP1/SW(5))	1-18

Contents

1.7 Jumper Settings	1-19
1.7.1 CMOS Function Selection (JP2)	1-20
1.7.2 CPU FAN Header (J1)	1-21
1.7.3 Wake on Mode Connector (J2)	1-21
1.7.4 Wake-On-LAN Header (J3)	1-21
1.7.5 FAN Connector (J16) (optional)	1-21
1.8 DRAM Installation.....	1-22
1.8.1 DIMM	1-23
1.8.2 How to install a DIMM Module.....	1-25
2. AWARD BIOS Setup	2-1
2.1 Main Menu.....	2-3
2.2 Standard CMOS Setup	2-5
2.3 BIOS Features Setup	2-9
2.4 Chipset Features Setup	2-14
2.5 Power Management Setup.....	2-17
2.6 PNP / PCI Configuration Setup.....	2-22
2.7 Load SETUP Defaults.....	2-25
2.8 Integrated Peripherals Setup	2-26
2.9 Supervisor / User Password Setting	2-29
2.10 IDE HDD Auto Detection.....	2-31
2.11 Save & Exit Setup	2-32
2.12 Exit Without Saving.....	2-33

Contents

3 Software Setup	3-1
3.1 Motherboard Software	3-1
3.1.1 Software List	3-1
3.1.2 Software Installation.....	3-2
3.1.3 Using Software	3-3
4. Trouble Shooting	4-1

Introduction

System Overview

Thanks for buying this product! This manual was written to help you start using this product as quickly and smoothly as possible. Inside you will find adequate explanations to solve most problems. In order for this reference material to be of greatest use, refer to the “expanded table of contents” to find relevant topics.

This board incorporates the system board, ISA I/O, and PCI IDE into one board that provides a total PC solution. The motherboard, Celeron™ processor based PC/AT system, with ISA Bus, AGP Bus and PCI Local Bus to support upgrades to your system performance. It is ideal for multi-tasking and fully supports MS-DOS, Windows, Windows NT, Novell, OS/2, Windows9x, UNIX, SCO UNIX etc. This manual also explains how to install the motherboard for operation, and how to setup your CMOS configuration with the BIOS setup program.

1 Motherboard Description

1.1 Features

1.1.1 Hardware

CPU

- The Celeron™ processor (PGA) the new generation power for high-end workstations and servers.
- Provides PGA 370.

Speed

- Supports form 300MHz to 550MHz CPU speeds.
- Supports 33 MHz PCI Bus speed.
- I/O clock 8 MHz for ISA Bus.
- Supports 66MHz / 133 MHz AGP Bus.

DRAM Memory

- Supports 8/16/32/64....MB DIMM module sockets.
- Synchronous DRAM (3.3V).
- Supports a maximum memory size of 256MB with SDRAM,.

Flash Memory

- Supports flash memory.
- Supports ESCD Function.

Shadow RAM

- A memory controller that provides shadow RAM and supports 8-bit ROM BIOS.

Green Function

- Supports power management operation via BIOS.
- Power down timer from 1 min to 1Hour.
- Wake on LAN Supported (ATX SPS).

- Wake on Modem Supported (ATX SPS).

BUS Slots

- Provides two 16-bit ISA Bus slots and three PCI Bus slots, one AGP Bus slot.

PCI Enhanced IDE Built-in On Board

- Supports 4 IDE hard disk drives.
- Supports PIO mode 4, Master Mode high performance hard disk drives.
- Supports Ultra DMA/33, Ultra DMA/66, Bus Master Mode.
- Supports IDE interface with CD-ROM.
- Supports high capacity hard disk drives.
- Supports LBA mode.

ISA I/O Built-in Onboard

- Supports one multi-mode Parallel Port.
 - (1) Standard & Bidirection Parallel Port.
 - (2) Enhanced Parallel Port (EPP).
 - (3) Extended Capabilities Port (ECP).
- Supports two serial ports, 16550 UART with 16 byte FIFO.
- Supports one Infrared transmission (IR) port.
- Supports PS/2 Mouse , AT Keyboard.
- Supports 360KB, 720KB, 1.2MB, 1.44MB and 2.88MB floppy disk drives.
- disk drives.

Hardware Monitor Subsystem

The hardware monitor subsystem provides low-cost instrumentation capabilities. The features of the hardware monitor subsystem include:

Management Level 4 functionality.

Microprocessor System Hardware Monitor:

- Integrated temperature and voltage monitoring to detect levels above or below acceptable values(+12V, -12V, +5V, +3.3V, -5V). When suggested ratings for temperature, fan speed, or voltage are exceeded, an interrupt is activated.
- One fan speed sensor.
- Access through the SMBus.

Remote reset capabilities from a remote peer or server through Intel LANDesk

3.3(or later) Client Manager and service layers

Universal Serial Bus

- Supports two Universal Serial Bus (U.S.B.) Ports.
- Supports 48MHz USB.

Dimensions (AT form-factor)

- 22.2 cm X 20.3 cm (W x L)

1.1.2 Software**BIOS**

- AWARD legal friendly BIOS.
- Supports APM1.2, ACPI.
- Supports USB Function.
- Setting the CPU Host frequency.

Operating System

- Offers the highest performance for MS-DOS, OS/2, Windows, Windows NT, Windows 9x, Novell, UNIX, SCO UNIX etc.

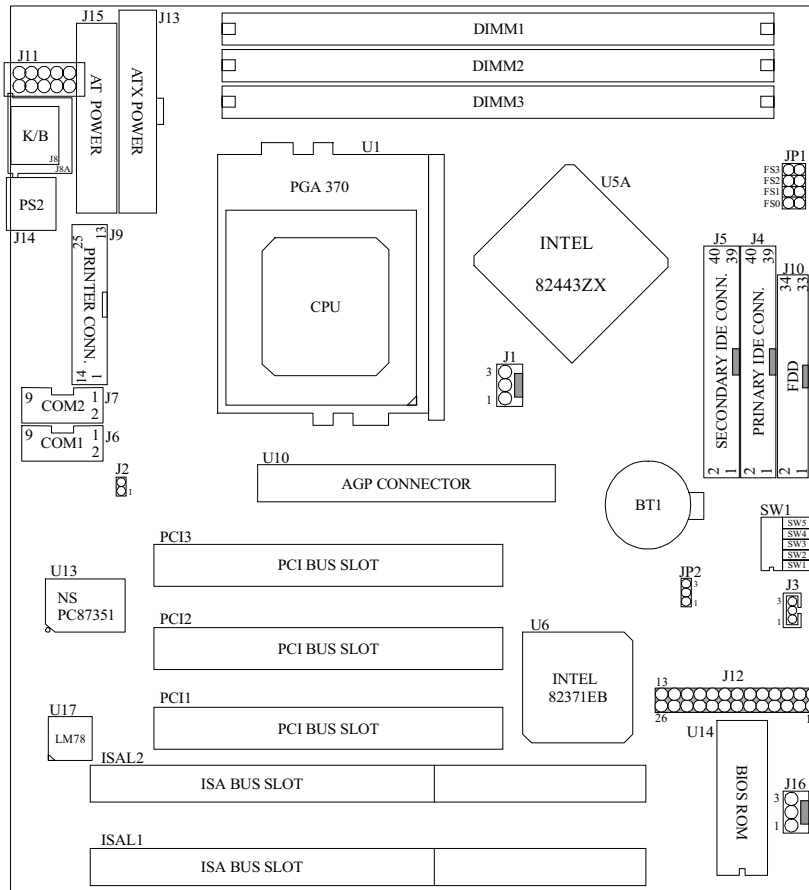
1.1.3 Attachments

- HDD Cable.
- FDD Cable.
- CD for IDE Driver and BIOS flash utility.
- COM1/COM2 Cable.
- USB Cable (optional).
- Parallel Port Cable.

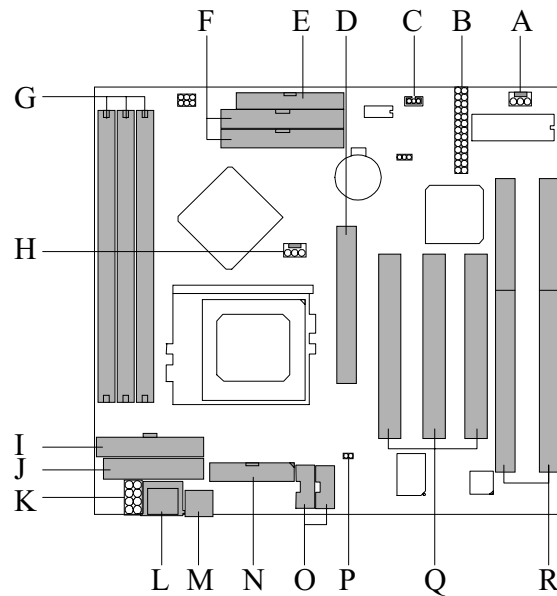
1.2 Motherboard Installation

1.2.1 Layout of Motherboard

Model No.M6TZM

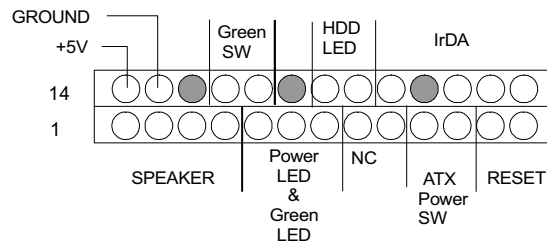


1.3 Motherboard Connectors



- | | |
|--|--|
| A. FAN Connector (J16) (optional) | J. AT Power Connector (J15) |
| B. Front Panel Connectors (J12) | K. USB Connectors (J11) |
| C. Wake-On-LAN Header (J3) | L. Keyboard Connector (J8/J8A) |
| D. AGP Connector (U10) | M. PS/2 Mouse Connector (J14) |
| E. Floppy Disk Connector (J10) | N. Parallel Port Connector (J9) |
| F. Hard Disk Connectors (J4/J5) | O. COM Ports (J6/J7) |
| G. DIMMs (DIMM1-3) | P. Wake on Mode Connector (J2) |
| H. CPU FAN Connector (J1) | Q. PCI Slots (PCI1-3) |
| I. ATX Power Connector (J13) | R. ISA Slots (ISAL1-2) |

1.3.1 Front Panel Connectors (J12)



Pin No.	Assignment	Function	Pin No.	Assignment	Function
1	Speaker	Speaker Connector	14	+5V	VCC
2	NC		15	Ground	Ground
3	Ground		16	No Connection	NC
4	+5V		17	Green Control	Green Switch
5	Power LED(+)	Green LED & Power LED	18	Ground	
6	No Connection		19	No Connection	NC
7	LED(-)		20	HDD LED(-)	HDD LED
8	No Connection	NC	21	HDD LED(+)	
9	No Connection		22	+5V	IrDA Connector
10	Power Switch	ATX Power connector	23	No Connection	
11	Standby Voltage		24	IRRX	
12	Reset Control	Reset	25	Ground	
13	Ground		26	IRTX	

Speaker Connector

An offboard speaker can be installed on the motherboard as a manufacturing option. An offboard speaker can be connected to the motherboard at the front panel connector. The speaker (onboard or offboard) provides error beep code information during the Power On Self-Test when the computer cannot use the video interface. The speaker is not connected to the audio subsystem and does not receive output from the audio subsystem.

Reset Connector

This connector can be connected to a momentary SPST type switch that is normally open. When the switch is closed, the motherboard resets and runs the POST.

Power LED Connector

This connector can be connected to an LED that will light when the computer is powered on.

Hard Drive LED Connector

This connector can be connected to an LED to provide a visual indicator that data is being read from or written to a hard drive. For the LED to function properly, an IDE drive must be connected to the onboard hard drive controller.

Infrared Connector

After the IrDA interface is configured, files can be transferred from or to portable devices such as laptops, PDAs, and printers using application software.

Sleep/Resume Switch Connector

When APM is enabled in the system BIOS, and the operating system's APM driver is loaded, the system can enter sleep (standby) mode in one of the following ways:

Prolonged system inactivity using the BIOS inactivity timer feature

The 2-pin connector located on the front panel I/O connector supports a front panel sleep/resume switch, which must be a momentary SPST type that is normally open.

Closing the sleep/resume switch sends a System Management Interrupt (SMI) to

the processor, which immediately goes into SMM(Sleep Management Mode) . While the computer is in sleep mode, it is fully capable of responding to and servicing external interrupts (such as an incoming fax) even though in this case the monitor turns on only when a keyboard or mouse interrupt occurs. To reactivate or resume system operation, the sleep/resume switch must be pressed again, or the keyboard or mouse must be used.

ATX Power Connector

This connector can be connected to a front panel power switch. The switch must pull the Power Button pin to ground for at least 50 ms to signal the power supply to switch on or off. (The time requirement is due to internal debounce circuitry on the motherboard.) At least two seconds must pass before the power supply will recognize another on/off signal.

1.3.2 Floppy Disk Connector (J10)

The motherboard provides a standard floppy disk connector (FDC) that supports 360K, 720K, 1.2M, 1.44M and 2.88M floppy disk types. This connector supports the provided floppy drive ribbon cables.

1.3.3 Hard Disk Connectors (J4/J5)

The motherboard has a 32-bit Enhanced PCI IDE Controller that provides PIO Mode 0~4, Bus Master, and Ultra DMA / 33 functionality. It has two HDD connectors IDE1 (primary) and IDE2 (secondary). You can connect up to four hard disk drives, a CD-ROM, a 120MB Floppy (reserved for future BIOS) and other devices to IDE1 and IDE2. These connectors support the IDE hard disk cable provided.

J4 (Primary IDE Connector)

The first hard drive should always be connected to IDE1. IDE1 can connect a Master and a Slave drive. You must configure the second hard drive on IDE1 to Slave mode by setting the jumper accordingly.

J5 (Secondary IDE Connector)

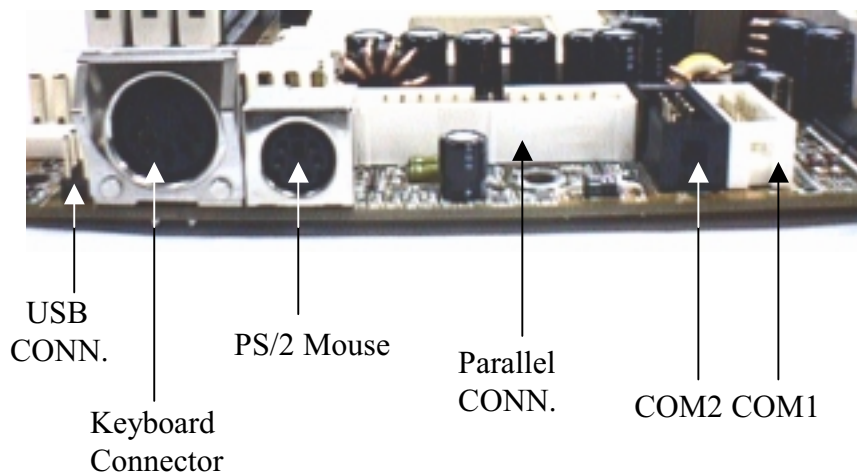
The IDE2 controller can also support a Master and a Slave drive. The configuration is similar to IDE1. The second drive on this controller must be set to slave mode.

1.3.4 ATX 20-pin Power Connector (J13)

This connector supports the onboard power button. Using the ATX power supply, functions such as Modem Ring Wake-Up and Soft Power-Off are supported by this motherboard. This power connector supports Instant Power-On functionality, which means that the system will boot up instantly when the power connector is inserted on the board.

PIN	SIGNAL	PIN	SIGNAL
1	3.3V	11	3.3V
2	3.3V	12	-12V
3	GND	13	GND
4	5V	14	PS_ON
5	GND	15	GND
6	5V	16	GND
7	GND	17	GND
8	PW_OK	18	-5V
9	5V_SB	19	5V
10	12V	20	5V

1.4 Back Panel Connectors



1.4.1 USB Connectors (J11)

The motherboard provides an UHCI (Universal Host Controller Interface) Universal Serial Bus ports for attaching USB devices like keyboard, mouse and other USB devices. You can plug USB devices directly into this connector.

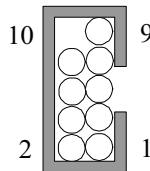
1.4.2 PS/2 Mouse Connector (J14)

The motherboard provides standard PS/2 mouse and Keyboard mini-DIN connectors. You can plug a PS/2 mouse and keyboard directly into these connectors.

1.5 Serial and Parallel Interface Ports

This system comes equipped with two serial ports and one parallel port. Both types of interface ports will be explained in this chapter.

COM Ports



Signal	Name	IDC PIN
DCD	Data Carrier Detect	1
RX	Receive Data	2
TX	Transmit Data	3
DTR	Data Terminal Ready	4
GND	Signal Ground	5
DSR	Data Set Ready	6
RTS	Request to Send	7
CTS	Clear to Send	8
RI	Ring Indicator	9

Special Applications

There are two types of serial devices that can be connected to a serial port. One of the devices is called "DTE" (Data Terminal Equipment) and the other device is called "DCE" (Data Communications Equipment). If a modem is connected to a computer, for example, the modem is called the DCE and the computer is called the DTE. In situations such as this, the pins on the serial ports can be connected straight through.

In instances when there are two DTE devices connected together, such as a

computer and a printer, a special adapter called a “Null Modem” is needed to make communication between the two devices possible.

When using the serial port to communicate between devices, one problem in particular may arise. Some manufacturers use one set of signals to begin communication with another device and other manufacturers do not use these signals to initiate communication. If you encounter a communication problem that cannot be resolved using a null modem, it can generally be assumed that one device is using the initialization signals and the other device is not. This can usually be resolved by wiring the RTS, CTS, and DCD pins together.

Serial Ports/COM Ports

The two serial ports on the computer are called COM1 and COM2, respectively. If you wish, two more serial ports can be added onto the computer using optional hardware. Should you choose to add the extra Serial ports (COM ports) they would be called COM3 and COM4.

When using serial ports to communicate with a peripheral device, be sure to assign only one COM port number to each device. For example, if a printer and a scanner are both connected to your computer through serial ports, the printer must be assigned one COM port (i.e. COM1) and the scanner must be assigned the other COM port (i.e. COM2). No two devices can be assigned to one COM port. Each peripheral must have its own COM port.

NOTE: Four serial ports may be installed on the computer. However, no more than two ports can be used simultaneously.

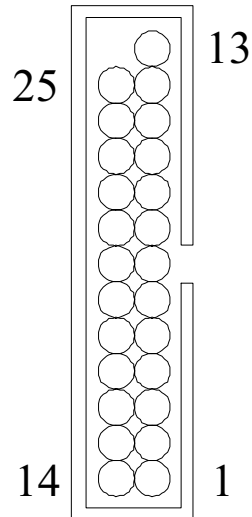
*If you have installed an internal modem, be careful not to assign a COM port number that has already been assigned to another device. This error is common.

When installing a device that is going to require the use of a serial port, use a diagnostic program to find out which ports are available. It may be necessary to remove expansion cards that have serial ports in order to check their jumper settings. The jumper settings will indicate which COM port the card has been assigned. Checking the expansion card will eliminate mistakes in overlapping COM ports. Once you have completed the installation of peripheral devices using the serial ports, be sure that the communication parameters such as baud rate, parity bit, etc. are matching. If your computer is set for a baud rate of 9600 and your modem is set for a baud rate of 2400 you will not be able to send messages. The manuals that accompany the peripheral devices will inform you on the procedure for setting their parameters. Software manuals also have instructions on

setting parameters.

Parallel Port Connector

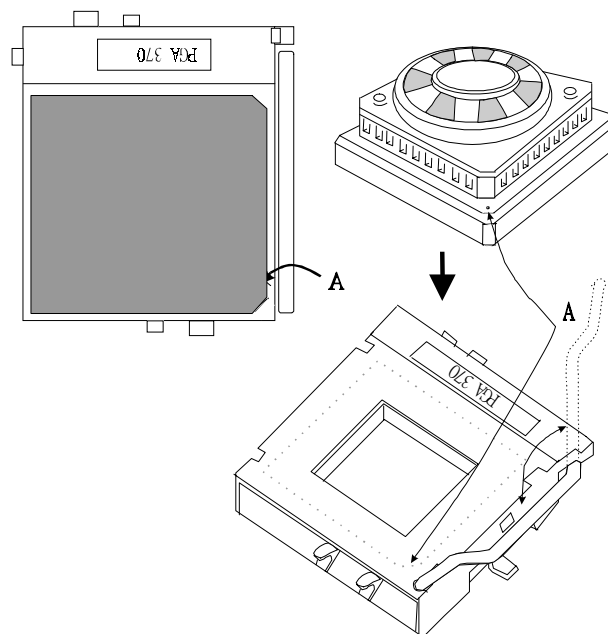
Unlike the serial port, parallel interface ports have been standardized and should not present any difficulty interfacing peripherals to your system. Sometimes called a Centronics port, the parallel port is almost exclusively used with printers. The parallel port on your system has a 25-pin Header (see picture below). The pinouts for the parallel port are shown in the table below.



Signal	Pin
-Strobe	1
Data 0	2
Data 1	3
Data 2	4
Data 3	5
Data 4	6
Data 5	7
Data 6	8
Data 7	9
-Ack	10
Busy	11
Paper Empty	12
+Select	13
-Auto FDXT	14
-Error	15
-Init	16
-SLCTN	17
Ground	18
Ground	19
Ground	20
Ground	21
Ground	22
Ground	23
Ground	24
Ground	25

1.6 CPU Installation/Jumper Setting

1.6.1 CPU Installation Procedure



1. Pull the lever sideways away from the socket then raise the lever up to a 90-degree angle.
2. Locate Pin A in the socket and look for the white dot or cut edge in the CPU. Match Pin A with the white dot/cut edge then insert the CPU.
3. Press the lever down to complete the installation.

1.6.2 CPU Ratio Select (SW1)

SW1	SW(1)	SW(2)	SW(3)	SW(4)
X2.0	OFF	OFF	OFF	OFF
X2.5	OFF	ON	ON	ON
X3.0	ON	OFF	ON	ON
X3.5	OFF	OFF	ON	ON
X4.0	ON	ON	OFF	ON
X4.5	OFF	ON	OFF	ON
X5.0	ON	OFF	OFF	ON
X5.5	OFF	OFF	OFF	ON
X6.0	ON	ON	ON	OFF
X6.5	OFF	ON	ON	OFF
X7.0	ON	OFF	ON	OFF
X7.5	OFF	OFF	ON	OFF
X8.0	ON	ON	OFF	OFF

1.6.3 Host Bus Frequency (JP1/SW(5))

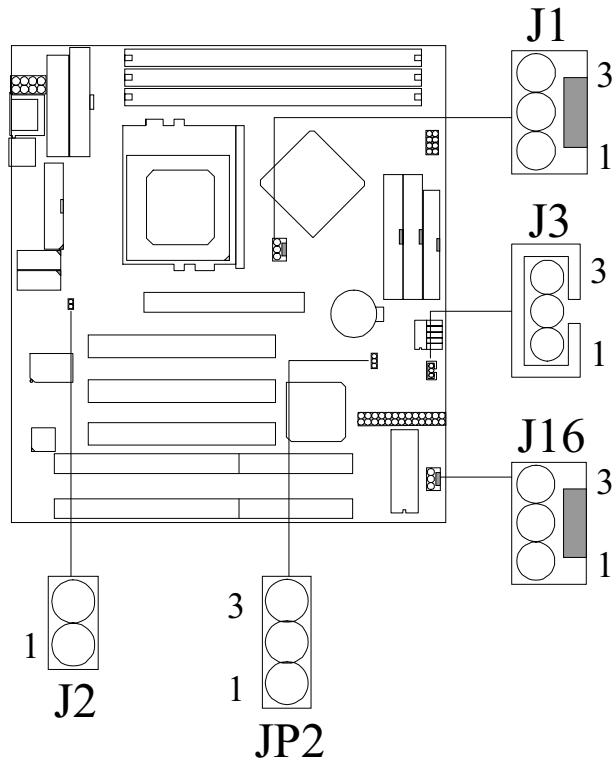
Host Bus Frequency	JP1				SW1
	4	3	2	1	SW(5)
66MHz	CLOSE	CLOSE	OPEN	OPEN	ON
* 75MHz	CLOSE	CLOSE	CLOSE	OPEN	ON
* 83MHz	CLOSE	CLOSE	OPEN	CLOSE	ON
* 100MHz	CLOSE	OPEN	OPEN	OPEN	OFF
* 112MHz	CLOSE	OPEN	CLOSE	OPEN	OFF
* 124MHz	OPEN	OPEN	OPEN	CLOSE	OFF
* 133MHz	OPEN	OPEN	OPEN	OPEN	OFF

*: These setting allow you to overclock the CPU host frequency.
However, the stability of overclock depends on what peripheral

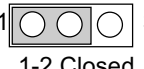
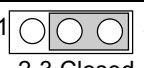

devices you have and is not guaranteed by manufacture.

1.7 Jumper Settings

A jumper is two or more pins which may be covered by a plastic jumper cap, allowing you to select different system options.

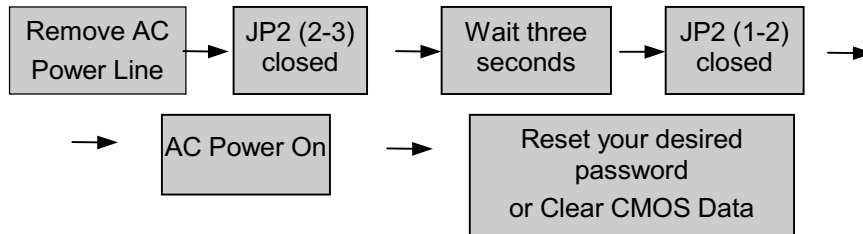


1.7.1 CMOS Function Selection (JP2)

JP2	Assignment
 1-2 Closed	Normal Operation (default)
 2-3 Closed	Clear CMOS Data (*Note)
 Open	Onboard Battery Disabled

Note : Please follow the procedure as below to clear CMOS Data.

Note : Please follow the procedure as below to clear BIOS Password if your password is lost or forgotten.



1.7.2 CPU FAN Header (J1)

Pin No.	Assignment
1	Ground
2	+12V
3	Sense

1.7.3 Wake on Mode Connector (J2)

Pin No.	Assignment
1	RING
2	GND

1.7.4 Wake-On-LAN Header (J3)

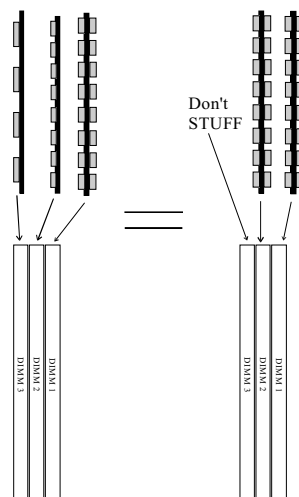
Pin No.	Assignment
1	Standby Voltage + 5V
2	Ground
3	Wakeup Signal Input

1.7.5 FAN Connector (J16) (optional)

Pin No.	Assignment
1	Ground
2	+12V
3	NC

1.8 DRAM Installation

According to the limit of the maximum of 2 DIMM sockets with Double-Sided DIMM, we provide the special configuration which Allows you to use 2 single-sided DIMMs to implement the feature of Double-Sided DIMM completely.



1.8.1 DIMM

DRAM Access Time : 3.3V Unbuffered SDRAM required.

DRAM Type:8MB/16MB/32MB/64MB/128MB DIMM Module (168pin)

Total Memory Size (MB)	Bank 0	Bank 1
	DIMM 1/Double-Sided	DIMM 2/Double-Sided
16 M	16M x 1 pc	----
32 M	32M x 1 pc	----
64 M	64M x 1 pc	----
128 M	128M x 1 pc	----
32 M	16M x 1 pc	16M x 1 pc
48 M	32M x 1 pc	16M x 1 pc
80 M	64M x 1 pc	16M x 1 pc
144 M	128M x 1 pc	16M x 1 pc
48 M	16M x 1 pc	32M x 1 pc
64 M	32M x 1 pc	32M x 1 pc
96 M	64M x 1 pc	32M x 1 pc
160 M	128M x 1 pc	32M x 1 pc
80 M	16M x 1 pc	64M x 1 pc
96 M	32M x 1 pc	64M x 1 pc
128 M	64M x 1 pc	64M x 1 pc
192 M	128M x 1 pc	64M x 1 pc
256 M	128M x 1 pc	128M x 1 pc

Total Memory Size (MB)	Bank 0	Bank 1	Bank 2
	DIMM 1 Double-Sided	DIMM 2 Single-Sided	DIMM 3 Single-Sided
16 M	16M x 1 pc	----	----
32 M	32M x 1 pc	----	----
64 M	64M x 1 pc	----	----
128 M	128M x 1 pc	----	----
32 M	16M x 1 pc	8M x 1 pc	8M x 1 pc
48 M	32M x 1 pc	8M x 1 pc	8M x 1 pc
80 M	64M x 1 pc	8M x 1 pc	8M x 1 pc
144 M	128M x 1 pc	8M x 1 pc	8M x 1 pc
48 M	16M x 1 pc	16M x 1 pc	16M x 1 pc
64 M	32M x 1 pc	16M x 1 pc	16M x 1 pc
96 M	64M x 1 pc	16M x 1 pc	16M x 1 pc
160 M	128M x 1 pc	16M x 1 pc	16M x 1 pc
80 M	16M x 1 pc	32M x 1 pc	32M x 1 pc
96 M	32M x 1 pc	32M x 1 pc	32M x 1 pc
128 M	64M x 1 pc	32M x 1 pc	32M x 1 pc
192 M	128M x 1 pc	32M x 1 pc	32M x 1 pc
256 M	128M x 1 pc	64M x 1 pc	64M x 1 pc

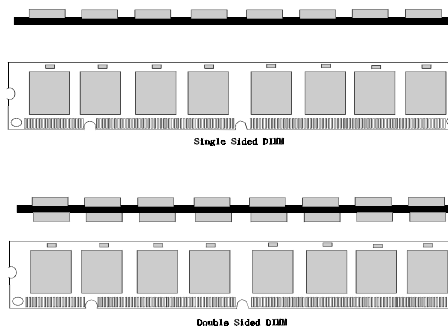
**Each Bank can be installed and used individually. The motherboard provides optimal performance and free choices depending on your needs.*

**The list show above for DRAM configuration is just for reference.*

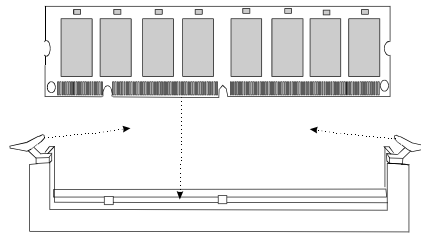
When processor is running at 100MHz, PC-100 SDRAM is necessary.

When processor is running at 100MHz, the memory for SDRAM only.

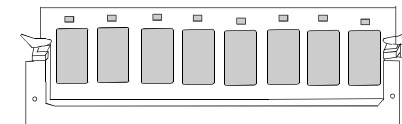
1.8.2 How to install a DIMM Module



1. The DIMM socket has a “*Plastic Safety Tab*” and the DIMM memory module has an “asymmetrical notch”, so the DIMM memory module can only fit in one direction.



2. Push the tabs out. Insert the DIMM memory modules into the socket at 90-degree angle, then push down vertically so that it will fit into place.



3. The Mounting Holes and plastic tabs should fit over the edge and hold the DIMM memory modules in place.

2. AWARD BIOS Setup

Entering Setup

Power on the computer and press immediately allowing you to enter Setup. The other way to enter Setup is to power on the Computer, and when the message below appears briefly at the bottom of the screen during the POST (Power On Self Test), press the key or simultaneously press the <CTRL>, <Alt>, and <Esc> keys.

TO ENTER SETUP BEFORE BOOT PRESS CTRL-ALT-ESC OR DEL KEY

If the message disappears before you respond and you still wish to enter Setup, restart the system again by turning it OFF then ON or pressing the "RESET" button on the system case. You may also restart by simultaneously pressing the <CTRL>, <Alt>, and <Delete> keys. If you do not press the keys at the correct time and the system does not boot, an error message will be displayed, and you will again be asked to:

PRESS F1 TO CONTINUE, CTRL-ALT-ESC OR DEL TO ENTER SETUP

Main Menu

The online description of the highlighted setup function is displayed at the bottom of the screen.

Status Page Setup Menu/Option Page Setup Menu

Press <F1> to pop up a small help window that describes the appropriate keys to use and the possible selections for the highlighted item. To exit the Help Window Press <Esc>.

Control Keys

Up arrow	Move to previous item
Down arrow	Move to next item
Left arrow	Move to the item at left
Right arrow	Move to the item at right
Esc key	Main Menu:make a space Quit and do not save changes into CMOS Status Page Setup Menu and Option Page Setup Menu: Exit current page and return to Main Menu
PgUp key	Increase the numeric value or make changes
PgDn key	Decrease the numeric value or make changes
+ key	Increase the numeric value or make changes
- key	Decrease the numeric value or make changes
F1 key	General help, only for Status Page Setup Menu and Option Page Setup Menu
(Shift) F2 key	Change color to one of 16 colors. F2 to select color forward, (Shift) F2 to select color backward
F3 key	Reserved
F4 key	Reserved
F5 key	Restore the previous CMOS value, only for Option Page Setup Menu
F6 key	Load the default CMOS value from BIOS default table, only for Option Page Setup Menu
F7 key	Load the default
F8 key	Reserved
F9 key	Reserved
F10 key	Save all the CMOS changes, only for Main Menu

2.1 Main Menu

Once you enter AWARD BIOS CMOS Setup Utility, the Main Menu(**Figure 1**) will appear on the screen. The Main Menu allows you to select an item and press <Enter> to accept or enter its sub-menu.

■ Figure 1. Main Menu

ROM PCI/ISA BIOS (xxxxxxxx)
CMOS SETUP UTILITY
AWARD SOFTWARE, INC.

STANDARD CMOS SETUP	INTEGRATED PERIPHERALS
BIOS FEATURES SETUP	SUPERVISOR PASSWORD
CHIPSET FEATURES SEUP	USER PASSWORD
POWER MANAGEMENT SETUP	IDE HDD AUTO DETECTION
PNP / PCI CONFIGURATION	SAVE & EXIT SETUP
LOAD SETUP DEFAULTS	EXIT WITHOUT SAVING
Esc : Quit	↑ ↓ → ← : Select Item
F10 : Save & Exit Setup	(Shift) F2 : Change Color

Standard CMOS Setup

This setup page includes all the items in a standard compatible BIOS.

BIOS Features Setup

This setup page includes all the items for the BIOS special enhanced features.

Chipset Features Setup

This setup page includes all the items of chipset special features.

Power Management Setup

This setup page includes all the items for power management features.

PnP / PCI Configuration

This category specifies the value (in units of PCI bus clocks) of the latency timer for this PCI bus master and the IRQ level for PCI device.

Load Setup Defaults

Chipset defaults indicates the values required by the system for maximum performance. The OEM manufacturer may change to defaults through MODBIN before the binary image burn into the ROM.

Integrated Peripherals

This setup page includes all the items for Integrated Peripherals features.

Supervisor Password / User Password

Change, set, or disable password. It allows you to limit access to the system and Setup, or just to Setup.

IDE HDD Auto Detection

Automatically configure hard disk parameters.

Save & Exit Setup

Save CMOS value changes to CMOS and exit setup.

Exit Without Saving

Abandon all CMOS value changes and exit setup.

2.2 Standard CMOS Setup

The items in the Standard CMOS Setup Menu are divided into categories. Each category includes no, one, or more than one setup item. Use the arrow keys to highlight the item and then use the <PgUp> or <PgDn> keys to select the value you want in each item.

■ Figure 2. Standard CMOS Setup Menu

```

ROM PCI/ISA BIOS (xxxxxxx)
STANDARD CMOS SETUP
AWARD SOFTWARE, INC.

Date (mm:dd:yy) :Tue, Apr 6 1999
Time (hh:mm:ss) : 11 : 37 : 30

HARD DISKS      TYPE  SIZE  CYLS  HEAD  PRECOMP  LANDS  SECTOR  MODE
Primary Master  : Auto  0     0     0     0     0     0     0     Auto
Primary Slave   : Auto  0     0     0     0     0     0     0     Auto
Secondary Master : Auto  0     0     0     0     0     0     0     Auto
Secondary Slave : Auto  0     0     0     0     0     0     0     Auto

Drive A  :1.44MB, 3.5 in.
Drive B  :None

Video    :EGA/VGA
Halt On  :All, But Keyboard

Esc : Quit          ↑ ↓ → ← : Select Item          PU/PD/+/-:Modify
F1  : Help          (Shift) F2 : Change Color
  
```

Date

The Date format is <day><month><date><year>.

Day	The day, from Sun to Sat, is determined by the BIOS and is display-only
Date	The date, from 1 to 31 (or the maximum allowed in the month)
month	The month, Jan through Dec

year	The year, from 1994 through 2079
------	----------------------------------

Time

The time format is **<hour><minute><second>**. The time is calculated based on the 24-hour military-time clock. For example, 2 p.m. is 14:00:00.

Hard Disk Type

This categories identifies the types of hard disk(s) that have been installed in the computer. There are 46 predefined types and a user definable type. Type 1 to Type 45 are predefined. Type "User" is user-definable. Type "Auto" is automatically defined by BIOS.

Press **<PgUp>** or **<PgDn>** to select a numbered hard disk type or type the number and press **<Enter>**. Note that the specifications of your drive must match with the drive table. The hard disk will not work properly if you enter improper information for this category. If your hard disk drive type is not listed, you can use Type "User" to define your own drive type manually.

If you select type "User", related information is asked to be entered for several items. Enter the information directly from the keyboard and press **<Enter>**. This information should be provided in the documentation from your hard disk vendor or the system manufacturer. Most new drives will also have the parameters given on the label on top of the drive.

CYLN	number of cylinders
HEAD	number of heads
WPCOM	write precompensation
SEC	number of sectors
LBA MODE	type of LBA mode
BLK MODE	type of Block mode
PIO MODE	type of PIO
32BIT MODE	type of 32-Bit transfer mode

If a hard disk has not been installed select "NOT Installed" and press **<Enter>**.

Drive A Type/Drive B Type

The category identifies the types of floppy disk drive A / drive B that have been installed in the computer.

None	No floppy drive installed
360K, 5 1/4	5-1/4 inch PC-type standard drive; 360 kilobyte capacity
1.2M, 5 1/4	5-1/4 inch AT-type high-density drive; 1.2 megabyte capacity
720K, 3 1/2	3-1/2 inch double-sided drive; 720 kilobyte capacity
1.44M, 3 1/2	3-1/2 inch double-sided drive; 1.44 megabyte capacity
2.88M, 3 1/2	3-1/2 inch double-sided drive; 2.88 megabyte capacity

Video

This category selects the type of adapter used for the primary system monitor, and must match your video display card and monitor. Although secondary monitors are supported, you do not have to select the type in Setup.

EGA/VGA	Enhanced Graphics Adapter/Video Graphics Array. For EGA, VGA, SEGA, or PGA monitor adapters.
CGA 40	Color Graphics Adapter, power up in 40 column mode
CGA 80	Color Graphics Adapter, power up in 80 column mode
MONO	Monochrome adapter, includes high resolution monochrome adapters

Halt On

The category determines whether the computer will stop if an error is detected during power up.

No errors	Whenever the BIOS detects a non-fatal error the system will be stopped and you will be prompted.
All errors	The system boot will not stop for any error that may be detected.
All, But Keyboard	The system boot will not stop for a keyboard error, it will stop for all other errors.
All, But Diskette	The system boot will not stop for a disk error, it will stop for all other errors.

All, But Disk/Key	The system boot will not stop for a keyboard or disk error, it will stop for all other errors.
----------------------	--

Memory

This category is display-only which is determined by the POST (Power On Self Test) of the BIOS.

Base Memory

The POST of the BIOS will determine the amount of base (or conventional) memory installed in the system. The value of the base memory is typically 512K for system with 512K memory installed on the motherboard, or 640K for system with 640K or more memory installed on the motherboard.

Extended Memory

The BIOS determines how much extended memory is present during the POST. This is the amount of memory located above 1MB on the CPU's memory address map.

Other Memory

This refers to the memory located in the 640K address space. This is the memory that can be used for different applications. DOS uses this area to load device drivers to keep as much base memory free application programs. The most common use for this area is Shadow RAM.

2.3 BIOS Features Setup

!! WARNING !! The information about BIOS defaults in the manual (Figure 3.4.5.6.8) is just for reference, please refer to the BIOS installed on board, for update information.

■ Figure 3. BIOS Features Setup Menu

ROM PCI/ISA BIOS (xxxxxxx)
 BIOS FEATURES SETUP
 AWARD SOFTWARE, INC.

Virus Warning	: Disabled	Video BIOS Shadow	: Enabled
CPU Internal Cache	: Enabled	C8000-CBFFF Shadow	: Disabled
External Cache	: Enabled	CC000-CFFFF Shadow	: Disabled
CPU L2 Cache ECC Checking	: Disabled	D0000-D3FFF Shadow	: Disabled
Quick Power On Self Test	: Disabled	D4000-D7FFF Shadow	: Disabled
Boot From LAN First	: Disabled	D8000-DBFFF Shadow	: Disabled
Boot Sequence	: A,C,SCSI	DC000-DFFFF Shadow	: Disabled
Swap Floppy Drive	: Disabled		
Boot Up Floppy Seek	: Enabled		
Boot Up NumLock Status	: On		
Gate A20 Option	: Fast		
Typematic Rate Setting	: Disabled		
Typematic Rate (Chars/Sec)	: 6		
Typematic Delay (Msec)	: 250		
Security Option.	: Setup		
PCI/VGA Palette Snoop	: Disabled		
OS Select For DRAM > 64MB	: Non-OS2		
Report No FDD For WIN 95	: Yes		
		ESC : Quit	↑ ↓ → ← : Select Item
		F1 : Help	PU/PD/+/- : Modify
		F5 : Old Values	<Shift> F2 : Color
		F7 : Load Setup Defaults	

Virus Warning

This category flashes on the screen. During and after the system boot up, any attempt to write to the boot sector or partition table of the hard disk drive will halt the system and an error message will appear. In the mean time, you can run an anti-virus program to locate the problem.

Disabled (default)

No warning message to appear when anything attempts to access the boot sector or hard disk partition table.

Enabled

Activates automatically when the system boots up causing a warning message to appear when anything attempts to access the boot sector of hard disk partition table.

CPU Internal Cache

Enabled (default)	Enable cache
Disabled	Disable cache

External Cache

Cache memory is additional memory that is much faster than conventional DRAM (system memory). Most, but not all, modern PCs have additional (external) cache memory. When the CPU requests data, the system transfers the requested data from the main DRAM into cache memory, for even faster access by the CPU.

Enabled (default)	Enable cache
Disabled	Disable cache

CPU L2 Cache ECC Checking

Choose Enabled or Disabled. This option enables the level 2 cache memory ECC (error check correction). Using 66MHz CPU BUS Deschute processor, set to Enabled or Disabled. 100MHz CPU BUS Deschute processor, always set to Enabled. For lamath processor, always set to Disabled.

Quick Power On Self Test

This option enables the level2 external cache memory.

Enabled	Enable quick POST
Disabled (default)	Normal POST

Boot From LAN First

The BIOS attempts to boot from LAN First. If LAN fails to boot, it should invoke INT18h since this is now the boot recovery rector.

Enabled	System will first search for LAN.
Disabled (default)	Boot sequence Normal.

Boot Sequence

This option determines which drive the computer searches the OS at boot-up. The settings are “A, C, SCSI”, “C, A, SCSI”, “C, CDROM, A”, “CDROM, C, A”, “D, A, SCSI”, “E, A, SCSI”, “F, A, SCSI”, “SCSI, A, C”, “SCSI, C, A” or “C only”, “LS/ZIP, C”, etc.

The default is “A, C, SCSI”.

Swap Floppy Drive

Switches the floppy disk drive between being designated as A and B.

Default is Disabled.

Boot Up Floppy Seek

During POST, BIOS will determine if the floppy disk drive installed is 40 or 80 tracks. 360K type is 40 tracks while 720K, 1.2M, and 1.44M are all 80 tracks.

Enabled (default)

BIOS searches for the floppy disk drive to determine if it is 40 or 80 tracks. Note that BIOS cannot tell from 720K, 1.2M or 1.44M drive type as they are all 80 tracks.

Disabled

BIOS will not search for the type of floppy disk drive by track number. Note that there will not be any warning message if the drive installed is 360K.

Boot Up NumLock Status

On (default)

Numpad is number keys.

Off

Numpad is arrow keys.

Gate A20 Option

Gate A20 refers to the way the system addresses memory above 1MB (extended memory). When set to Fast, the system chipset controls Gate A20. When set to Normal, a pin in the keyboard controller controls Gate A20. Setting Gate A20 to Fast improves system speed, particularly with OS/2 and Windows.

Fast (default)

Typematic Rate Setting

This determines the typematic rate.

Enabled

Enable typematic rate and typematic delay programming.

Disabled (default)

Disable typematic rate and typematic delay programming. The system BIOS will use default value of these 2 items and the default is controlled by keyboard.

Typematic Rate (Chars/Sec)

6 (default)	6 characters per second
8	8 characters per second
10	10 characters per second
12	12 characters per second
15	15 characters per second
20	20 characters per second
24	24 characters per second
30	30 characters per second

Typematic Delay (Msec)

Choose the length of delay from the time you press a key and the character repeating. (units are mil-sec)

Security Option

This category allows you to limit access to the system and Setup, or just to Setup.

System

The system will not boot and access to Setup will be denied if the correct password is not entered at the prompt.

Setup (default)

The system will boot, but access to Setup will be denied if the correct password is not entered at the prompt.

PCI/VGA Palette Snoop

Choose Disabled or Enabled. Some graphic controllers which are not VGA compatible take the output from a VGA controller and map it to their display as a way to provide boot information and VGA compatibility.

However, the color information coming from the VGA controller is drawn from

the palette table inside the VGA controller to generate the proper colors, and the graphic controller needs to know what is in the palette of the VGA controller. To do this, the non-VGA graphic controller watches for the Write access to the VGA palette and registers the snoop data. In PCI based systems, where the VGA controller is on the PCI bus and a non-VGA graphic controller is on an ISA bus, the Write Access to the palette will not show up on the ISA bus if the PCI VGA controller responds to the Write.

In this case, the PCI VGA controller should not respond to the Write, it should only snoop the data and permit the access to be forwarded to the ISA bus. The non-VGA ISA graphic controller can then snoop the data on the ISA bus. Unless you have the above situation, you should disable this option.

Enabled	Enables the function.
Disabled (default)	Disables the function.

OS Selection for DRAM > 64MB

Allows OS/2 to be used with > 64MB of DRAM. Settings are Non-OS/2 (default) and OS/2. Set to OS/2 if using more than 64MB and running OS/2.

DEFAULT is Non-OS2.

Report No FDD For WIN 95

This function is only use when you are testing SCT for Windows 95 Logo.

Video BIOS Shadow

Determines whether video BIOS will be copied to RAM for faster execution.

Enabled	Optional ROM is enabled.
Disabled (default)	Optional ROM is disabled.

C8000 - CFFFF Shadow / D0000 - DFFFF Shadow

Determines whether the optional ROM will be copied to RAM for faster execution.

Enabled	Optional ROM is shadowed.
Disabled (default)	Optional ROM is not shadowed.

Note : For C8000 - DFFFF option - ROM on PCI BIOS, BIOS will automatically enable the shadow RAM. User does not have to select the item.

2.4 Chipset Features Setup

The Chipset Features Setup option is used to change the values of the chipset registers. These registers control most of the system options in the computer.

■ Figure 4. Chipset Feature Setup Menu

ROM PCI/ISA BIOS (xxxxxxx)
 CHIPSET FEATURES SETUP
 AWARD SOFTWARE, INC.

Auto Configuration	: Enabled	Power-Supply Type	: ATX Power
SDRAM RAS-to-CAS Delay	: 3		
SDRAM RAS Precharge Time	: 3		
SDRAM CAS latency Time	: Auto		
SDRAM Precharge Control	: Disabled		
System BIOS Cacheable	: Disabled		
Video BIOS Cacheable	: Disabled		
Video RAM Cacheable	: Disabled		
8 Bit I/O Recovery Time	: 1		
16 Bit I/O Recovery Time	: 1		
Memory Hole At 15M-16M	: Disabled		
Passive Release	: Enabled		
Delayed Transaction	: Disabled		
AGP Aperture Size (MB)	: 64		
		ESC : uit	↑ ↓ → ← : Select Item
		F1 : Help	PU/PD/+/- : Modify
		F5 : Old Values <Shift>	F2 : Color
		F7 : Load Setup Defaults	

Auto Configuration

Choosing **Enabled** (default) will automatically configure chipset features using default settings. Choose Disable to customize setup.

SDRAM RAS-to-CAS Delay

This field lets you insert a timing delay between the CAS and RAS strobe signals, used when DRAM is written to, read from, or refreshed. Fast gives faster performance; and Slow gives more stable performance. This field applies only when synchronous DRAM is installed in the system.

3 (default)

SDRAM RAS Precharge Time

If an insufficient number of cycles is allowed for RAS to accumulate its charge before DRAM refresh, the refresh may be incomplete and the DRAM may fail to retain data. Fast gives faster performance; and Slow gives more stable performance. This field applies only when synchronous DRAM is installed in the system.

3 (default)

SDRAM CAS latency Time

You can select CAS latency time in HCLKs of 2 or 3. The system board designer should set the values in this field, depending on the DRAM installed.

Auto (default)

SDRAM Precharge Control

Enable this function to selective auto precharge for comparably different SDRAM components.

Disabled (default)

System BIOS Cacheable

When enabled, accesses to the system BIOS ROM addressed at F0000H-FFFFFH are cached, provided that the cache controller is enable.

Enabled	BIOS access cached
Disabled (default)	BIOS access not cached

Video BIOS Cacheable

As with caching the System BIOS above, enabling the Video BIOS cache will cause access to video BIOS addressed at C0000H to C7FFFH to be cached, if the cache controller is also enabled. Data from the CPU to the PCI bus can be posted (buffered by the controller).

Enabled	Video BIOS access cached
Disabled (default)	Video BIOS access not cache

Video RAM Cacheable

Select Enabled allows caching of video RAM, resulting in better system performance. However, if any program writes to this memory area, a system error may result.

8 Bit I/O Recovery Time

The recovery time is the length of time, measured in CPU clocks, which the system will delay after the completion of an input / output request. This delay takes place because the CPU is operating so much faster than the input / output bus that the CPU must be delayed to allow for the completion of the I / O.

The item allows you to determine the recovery time allowed for 8 bit I / O. Choices are from NA, 1 to 8 CPU clocks.

1(default)

16 Bit I/O Recovery Time

This item allows you to determine the recovery time allowed for 16 bit I/O. Choices are from NA, 1 to 4 CPU clocks.

1 (default)

Memory Hole At 15M-16M

You can reserve this area of system memory for ISA adapter ROM. When this area is reserved, it cannot be cached. The user information of peripherals that need to use this area of system memory usually discusses their memory requirements.

Disabled (default)

Passive Release

When Enabled, CPU to PCI bus accesses is allowed during passive release. Otherwise, the arbiter only accepts another PCI master access to local DRAM.

Enabled (default)

Delayed Transaction

The chipset has an embedded 32-bit posted write buffer to support delay transactions cycles. Select Enabled to support compliance with PCI specification version 2.1.

Disabled (default)

AGP Aperture Size

Select the size of Accelerated Graphics Port(AGP) aperture. The aperture is a portion of the PCI memory address range dedicated for graphics memory address space. Host cycles that hit the aperture range are forwarded to the AGP without any translation.

The Choices : 4M, 8M, 16M, 32M, 64M(default), 128M, 256M.

Power-Supply Type

This item allows you to choices Power Supply.

ATX Power (default)

AT Power

2.5 Power Management Setup

■ Figure 5. Power Management Setup Menu

ROM PCI/ISA BIOS (xxxxxxxx)
POWER MANAGEMENT SETUP
AWARD SOFTWARE, INC.

Power Management	: User Define	** Reload Global Timer Events **
PM Control by APM	: Yes	IRQ [3-7,9-15], NMI
Video Off Method	: DPMS	: Disabled
Video Off After	: Standby	Primary IDE 0
Doze Mode	: Disabled	: Disabled
Standby Mode	: Disabled	Primary IDE 1
Suspend Mode	: Disabled	: Disabled
HDD Power Down	: Disabled	Secondary IDE 0
Throttle Duty Cycle	: 62.5%	: Disabled
PCI/VGA Act-Monitor	: Disabled	Secondary IDE 1
Soft-Off by PWR-BTTN	: Instant-Off	: Disabled
CPUFAN Off In Suspend	: Enabled	Floppy Disk
PowerOn by Ring	: Disabled	: Disabled
Resume by Alarm	: Disabled	Serial Port
		: Enabled
		Parallel Port
		: Disabled
Wake Up On LAN	: Disabled	ESC : Quit
IRQ 8 Break Suspend	: Disabled	F1 : Help
		F5 : Old Values
		F7 : Load Setup Defaults
		↑↓→← : Select Item
		PU/PD/+/- : Modify
		<Shift> F2 : Color

Power Management

User Define

(Max. Saving)

Users can configure their own power management.

Min Saving

Pre-defined timer values are used such that all timers are at their MAX value.

Max Saving

Pre-defined timer values are used such that all timers are at their MIN value.

PM Control by APM

No

System BIOS will ignore APM when Power Management is on.

Yes (default) System BIOS will wait for APM's prompt before it enters any PM mode.

Video Off Method

Blank Screen The system BIOS will only blank the screen when disabling video.

V/H SYNC+Blank In addition to the above, BIOS will also turn off the V-SYNC & H-SYNC signals from VGA card to monitor.

DPMS (default) This function is enabled only for a VGA card supporting DPMS.

Video Off After

The setting are M/A, Standby, Doze, or Suspend. This option is for choosing the setting in which the monitor will turn off.

N/A Always turn on.

Doze During Doze mode, the monitor will be turned off.

Standby (default) During Standby mode, the monitor will be turned off.

Suspend During Suspend mode, the monitor will be turned off.

Doze Mode

When enabled and after the set time of system inactivity, the CPU clock will run at slower speed while all other devices still operate at full speed.

Disabled (default)
Enabled

Standby Mode

When enabled and after the set time of system inactivity, the fixed disk drive and the video would be shut off while all other devices still operate at full speed.

Disabled (default)
Enabled

Suspend Mode

When enabled and after the set time of system inactivity, all devices except the CPU will be shut off.

Disabled (default)
Enabled

HDD Power Down

When enabled and after the set time of system inactivity, the hard disk drive will be powered down while all other devices remain active.

Disabled (default)
Enabled

Throttle Duty Cycle

When the system enters Doze mode, the CPU clock runs only part of the time. You may select the percent of time that the clock runs.

The Choices: 12.5%, 25.0%, 37.5%, 50.0%, 62.5% (default), 75.0%.

PCI/VGA Act-Monitor

During Enabled, if there's no activity in the monitor screen the system will go into Power Saving Mode. During Disabled, the system will go into Power Saving Mode, whether there is activity in the monitor screen or not. The setting are Disabled and Enabled.

Soft-Off by PWR-BTTN

This item allows you to set the off function of power button by software control.

Instant-Off (default)

CPUFAN Off In Suspend

The default value is Enabled.

Disabled	Disable this function.
Enabled (default)	Stop CPU FAN when entering Suspend mode.

PowerOn by Ring

An input signal on the serial Ring Indicator (RI) line (in other words, an incoming call on the modem) awakens the system from a soft off state.

Disabled (default) Power On by Ring not supported.

Resume by Alarm

When set to Enabled RTA Alarm Resume, you could set the date (of month) and

timer (hh:mm:ss), a any event occurring at will awaken a system which has been powered down.

Disabled (default)

Wake Up On LAN

To use function, you need a LAN add-on card which support power on functions. It should also support the wake-up on LAN jumper

Disabled (default) Wake Up On LAN not supported.

IRQ 8 Break Suspend

You can turn On or Off monitoring of IRQ 8 (the Real Time Clock) so it does not awaken the system from Suspend mode.

Disabled (default)

IRQ [3-7,9-15],NMI

The default value is "Legacy ISA" OR "PCI/ISA PnP".

Enabled (default)

Primary IDE 0/1

The default value is Disabled.

Enabled

Enable monitor Primary IDE 0/1 for Green event.

Disabled (default)

Disable this function.

Secondary IDE 0/1

The default value is Disabled.

Enabled

Enable monitor Secondary IDE 0/1 for Green event.

Disabled (default)

Disable this function.

Floppy Disk

The default value is Disabled.

Enabled

Enable monitor Floppy Disk for Green Event.

Disabled (default)

Disable this function.

Serial Port

The default value is Enabled.

Enabled (default)

Enable monitor Serial Port FOR Green event.

Disabled

Disable this function.

Parallel Port

The default value is Disabled.

Enabled

Enable monitor Parallel Port for Green event.

Disabled (default)

Disable this function.

2.6 PNP / PCI Configuration Setup

■ Figure 6. PNP / PCI Configuration Setup Menu

ROM PCI/ISA BIOS (xxxxxxxx)
 PNP / PCI FUNCTION SETUP
 AWARD SOFTWARE, INC.

PNP OS Installed	: No	Used MEM base addr	: N/A
Resources Controlled By	: Manual		
Reset Configuration Data	: Disabled		
IRQ-3 assigned to	: PCI / ISA PnP		
IRQ-4 assigned to	: PCI / ISA PnP		
IRQ-5 assigned to	: PCI / ISA PnP		
IRQ-7 assigned to	: PCI / ISA PnP		
IRQ-9 assigned to	: PCI / ISA PnP		
IRQ-10 assigned to	: PCI / ISA PnP		
IRQ-11 assigned to	: PCI / ISA PnP		
IRQ-12 assigned to	: PCI / ISA PnP		
IRQ-14 assigned to	: PCI / ISA PnP		
IRQ-15 assigned to	: PCI / ISA PnP		
DMA-0 assigned to	: PCI / ISA PnP		
DMA-1 assigned to	: PCI / ISA PnP	ESC : Quit	↑ ↓ → ← : Select Item
DMA-3 assigned to	: PCI / ISA PnP	F1 : Help	PU/PD/+/- : Modify
DMA-5 assigned to	: PCI / ISA PnP	F5 : Old Values	<Shift> F2 : Color
DMA-6 assigned to	: PCI / ISA PnP	F7 : Load Setup Defaults	
DMA-7 assigned to	: PCI / ISA PnP		

PnP OS Installed

When set to YES, BIOS will only initialize the PnP cards used for booting (VGA, IDE, SCSI). The rest of the cards will be initialized by the PnP operating system like Windows™95. When set to NO, BIOS will initialize all the PnP cards. Therefore for non-PnP operating system (DOS, Netware™), this option must be set to "NO".

Resources Controlled By “Auto” or “Manual”

By Choosing “Auto” the system BIOS will detect the system resources and automatically assign the relative IRQ and DMA channel for each peripheral.

By Choosing “Manual”(default), the user will need to assign IRQ & DMA for add-on cards. Be sure that there are no IRQ/DMA and I/O port conflicts.

Reset Configuration Data

The system BIOS supports the PnP feature so the system needs to record which resource is assigned and protect resources from conflict. Every peripheral device has a node which is called ESCD. This node records which resources are assigned to it. The system needs to record and update ESCD to the memory locations. These locations (4K) are reserved at the system BIOS.

If Disabled (default) is chosen, the system’s ESCD will update only when the new configuration varies from the last one.

If Enabled is chosen, the system is forced to update ESCDs and then is automatically set to the “Disabled” mode.

IRQ-3	assigned to : PCI / ISA PnP
RQ-4	assigned to : PCI / ISA PnP
IRQ-5	assigned to : PCI / ISA PnP
IRQ-7	assigned to : PCI / ISA PnP
IRQ-9	assigned to : PCI / ISA PnP
IRQ-10	assigned to : PCI / ISA PnP
IRQ-11	assigned to : PCI / ISA PnP
IRQ-12	assigned to : PCI / ISA PnP
IRQ-14	assigned to : PCI / ISA PnP
IRQ-15	assigned to : PCI / ISA PnP
DMA-0	assigned to : PCI / ISA PnP
DMA-1	assigned to : PCI / ISA PnP
DMA-3	assigned to : PCI / ISA PnP
DMA-5	assigned to : PCI / ISA PnP
DMA-6	assigned to : PCI / ISA PnP
DMA-7	assigned to : PCI / ISA PnP

The above settings will be shown on the screen only if “Manual” is chosen for the Resources Controlled By function.

Legacy is the term which signifies that a resource is assigned to the ISA Bus and provides for non PnP ISA add-on cards. PCI / ISA PnP signifies that a resource

is assigned to the PCI Bus or provides for ISA PnP add-on cards and peripherals.

Used MEM base addr

The default value is N/A

N/A (default)

C800~DC00

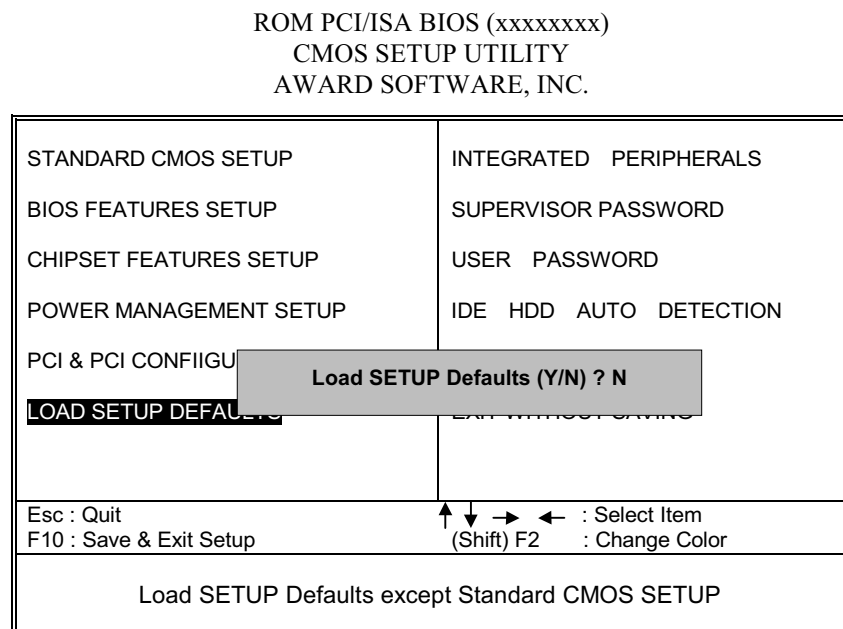
Disable the MEM. block using.

Select the MEM. block starting address.

2.7 Load SETUP Defaults

Chipset defaults indicate the values required by the system for maximum performance.

■ Figure 7. Load SETUP Defaults Screen



If you wish to load the SETUP Defaults, change the prompt to <Y> and press <ENTER>.

2.8 Integrated Peripherals Setup

■ Figure 8. Integrated Peripherals Setup Menu

ROM PCI/ISA BIOS (xxxxxxx)
INTEGRATED PERIPHERALS
AWARD SOFTWARE, INC.

IDE HDD Block Mode	: Enabled	Parallel Port Mode	: SPP
IDE Primary Master	PIO : Auto		
IDE Primary Slave	PIO : Auto		
IDE Secondary Master	PIO : Auto		
IDE Secondary Slave	PIO : Auto		
IDE Primary Master	UDMA : Auto		
IDE Primary Slave	UDMA : Auto		
IDE Secondary Master	UDMA : Auto		
IDE Secondary Slave	UDMA : Auto		
On-Chip Primary	PCI IDE : Enabled		
On-Chip Secondary	PCI IDE : Enabled		
USB Keyboard Support	: Disabled		
Init Display First	: AGP		
Onboard FDC Controller	: Enabled	ESC : Quit	↑ ↓ → ← : select Item
Onboard Serial Port 1	: 3F8/IRQ4	F1 : Help	PU/PD/+/- : Modify
Onboard Serial Port 2	: 2F8/IRQ3	F5 : Old Values	<Shift> F2 : Color
UR2 Mode	: Standard	F7 : Load Setup Defaults	
Onboard Parallel Port	: 378/IRQ7		

IDE HDD Block Mode

This allows your hard disk controller to use the fast block mode to transfer data to and from your hard disk drive (HDD).

Enabled (default) IDE controller uses block mode.
Disabled IDE controller uses standard mode.

IDE Primary / Secondary Master / Slave PIO

The IDE PIO (Programmed Input / Output) fields let you set a PIO mode (0-4) for each of the IDE devices that the onboard IDE interface supports. Modes 0 through 4 provide successively increased performance. In Auto mode, the system automatically determines the best mode for each device.

Auto (default)

IDE Primary / Secondary Master / Slave UDMA

Ultra DMA /33 implementation is possible only if your IDE hard drive supports it and the operating environment includes a DMA drive (Windows 95 OSR2 or a third party IDE bus master driver). If your hard drive and your system software both support Ultra DMA/33, select Auto to enable BIOS support.

Auto (default)

On-Chip Primary PCI IDE

The default value is Enabled.

Enabled (default)

Disabled

Enable onboard 1st channel IDE port.

Disable onboard 1st channel IDE port.

On-Chip Secondary PCI IDE

The default value is Enabled.

Enabled (default)

Disabled

Enable onboard 2nd channel IDE port.

Disable onboard 2nd channel IDE port.

USB Keyboard Support

The default value is Disabled.

Enabled

Disable (default)

Enable USB Keyboard Support.

Disable USB Keyboard Support.

Init Display First

This item allows you decide to activate PCI Slot or AGP first.

The Choices: PCI Slot, AGP (default).

Onboard FDC Controller

Enabled/Disabled The system has an on-board Super I/O chip with a FDD controller that supports 2 FDDs for 360K/720K/1.2M/1.44M/2.8M. Choose "Enabled" to use the on-board FDD controller for accessing the FDD. Otherwise choose "Disabled" to use the off-board FDD controllers.

Onboard Serial Port 1

Disabled / (3F8 / IRQ4) / (2F8 / IRQ3) / (3E8 / IRQ4) / (2E8 / IRQ3)

Onboard Serial Port 2**Disabled / (3F8 / IRQ4) / (2F8 / IRQ3) / (3E8 / IRQ4) / (2E8 / IRQ3)**

The system has an Onboard Super I/O chipset with 2 serial ports.

The Onboard serial ports can be selected as:

Disabled

3F8 / IRQ4 COM1 uses IRQ4

2F8 / IRQ3 COM2 uses IRQ3

3F8 / IRQ4 COM3 uses IRQ4

2F8 / IRQ3 COM4 uses IRQ3

UR 2 Mode

This item allows you to determine which Infra Red (IR) function of onboard I/O chip.

The Choices : Standard (default), ASKIR, HPSIR.**Onboard Parallel Port**

This item allows you to determine access onboard parallel port controller with which I/O address.

The Choices : 378/IRQ7 (default), 278/IRQ5, 3BC/IRQ7, Disabled.**Parallel Port Mode**

The default value is SPP.

SPP (default)

Using Parallel port as Standard Printer Port.

EPP

Using Parallel Port as Enhanced Parallel Port.

ECP

Using Parallel port as Extended Capabilities Port.

ECP+EPP

Using Parallel port as ECP & EPP mode.

2.9 Supervisor / User Password Setting

■ Figure 9. Supervisor Password Setting

ROM PCI/ISA BIOS (xxxxxxx)
 CMOS SETUP UTILITY
 AWARD SOFTWARE, INC.

STANDARD CMOS SETUP	INTEGRATED PERIPHERALS
BIOS FEATURES SETUP	SUPERVISOR PASSWORD
CHIPSET FEATURES SETUP	USER PASSWORD
POWER MANAGEMENT SETUP	IDE HDD AUTO DETECTION
PNP / PCI CONFIGURATION	SAVE & EXIT SETUP
LOAD SETUP DE	Enter Password :
Esc : Quit	↑ ↓ → ← : Select Item
F10 : Save & Exit Setup	(Shift) F2 : Change Color
Change / Set / Disable Password	

When you select this function, the following message will appear at the center of the screen to assist you in creating a password.

ENTER PASSWORD

Type the password, up to eight characters, and press <Enter>. The password you type now will clear any previously entered password from CMOS memory. You will be asked to confirm the password. Type the password again and press <Enter>. You may also press <ESC> to abort the selection and not enter a password. To disable password, just press <Enter> when you are prompted to enter password. A message will confirm that you wish to disable the password. Once the password is disabled, the system will boot and you can enter setup freely.

PASSWORD DISABLED

If you select "System" at the Security Option of BIOS Features Setup Menu, you will be prompted for the password every time the system is rebooted or any time you try to enter Setup. If you select "Setup" at Security Option of BIOS Feature Setup Menu, you will be prompted only when you try to enter Setup.

2.10 IDE HDD Auto Detection

Automatically configures hard disk parameters. The parameters shown below are only examples.

■ Figure 10. Auto Configuration with Optimal Settings Screen

ROM PCI/ISA BIOS (xxxxxxxx)
CMOS SETUP UTILITY
AWARD SOFTWARE, INC.

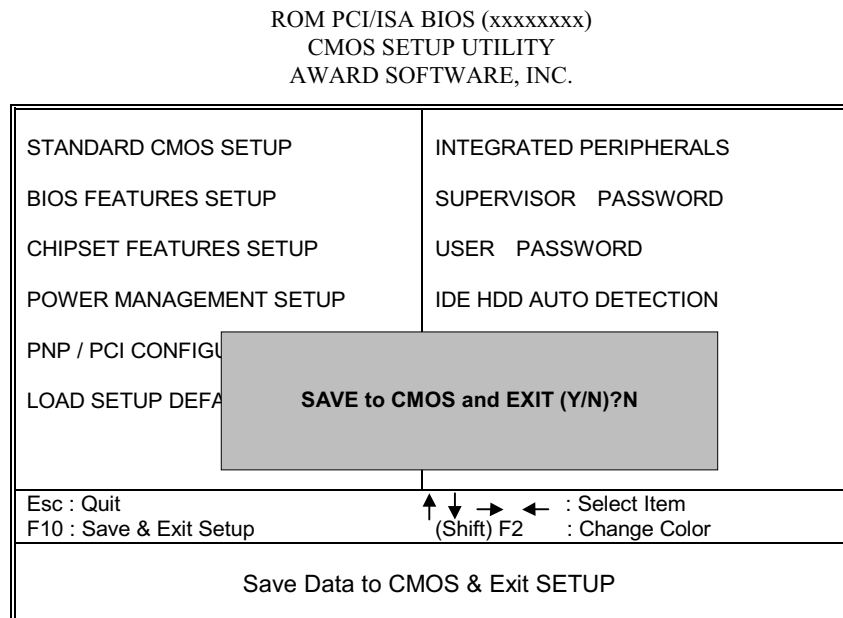
HARD DISKS	TYPE	SIZE	CYLS	HEAD	PRECOMP	LAND	SECTOR	MODE
Primary Master	:User	343	665	16	65535	664	63	NORMAL
Select Primary Slave Option (N=Skip) N								
OPTIONS	SIZE	CYLS	HEAD	PRECOMP	LANDZ	SECTOR	MODE	
1(Y)	0	0	0	0	0	0	NORMAL	
Note : Some Oses (like SCO-UNIX Before v5.0) must use "NORMAL" for installation								
ESC : Skip								

When you enter this utility, the screen asks you to select a specific hard disk for Primary Master. If you accept a hard disk detected by the BIOS, you can enter "Y" to confirm and then press <Enter> to check next hard disk. This function allows you to check four hard disks and you may press the <Esc> after the <Enter> to exit this function and go back to the Main Menu.

2.11 Save & Exit Setup

Save CMOS value changes to CMOS and exit setup.

■ Figure 11. Save & Exit Setup Screen



Pressing <N> and <ENTER> will return you to the Main Menu.

Pressing <Y> and <ENTER> will save the system parameters and continue with the booting process.

2.12 Exit Without Saving

Abandon all CMOS value changes and exit setup.

■ **Figure 12. The Save Settings and Exit Screen**

ROM PCI/ISA BIOS (xxxxxxxx)
CMOS SETUP UTILITY
AWARD SOFTWARE, INC.

STANDARD CMOS SETUP	INTEGRATED PERIPHERALS
BIOS FEATURES SETUP	SUPERVISOR PASSWORD
CHIPSET FEATURES SETUP	USER PASSWORD
POWER MANAGEMENT SETUP	IDE HDD AUTO DETECTION
PNP / PCI CONFIGURATION	
LOAD SETUP DEFAULTS	
Quit Without Saving (Y/N)?N	
Esc : Quit	↑ ↓ → ← : Select Item
F10 : Save & Exit Setup	(Shift) F2 : Change Color
Abandon All Datas & Exit SETUP	

Pressing <N> and <ENTER> will return you to the Main Menu.

Pressing <Y> and <ENTER> will continue with booting process without saving any system parameters.

3 Software Setup

3.1 Motherboard Software

NOTE: The mark * means it can be installed directly from CD by using CD Installation Utility (i.e. START.EXE).

3.1.1 Software List

Category	Description	Platform	Location in CD
HighPoint XStore Pro *	Install the drivers to support Ultra DMA mode Hard Drive.	Windows 95/98	\XStore
Intel Bus Master IDE Drivers *	Install the drivers to support Ultra DMA mode Hard Drive.	Windows NT4.0	\Ide
NS LM78+61 Software * (optional)	National Semiconductor LM78+LM61 Software for monitoring voltages, temperature, fan speed.	Windows 95/98	\Sysdiag\Lm7x_61
Award Flash Utility	Used for updating BIOS. (Please refer to chapter - Application Software.)		\Flash

3.1.2 Software Installation

There is an installation wizard, **Driver CD Installation Utility** (START.EXE), located in the root of Driver CD to let users conveniently install some commonly used drivers.

➤ **The drivers can be installed from CD by using CD Installation Utility:**

You can simply put Driver CD into CD-ROM drive and the Installation Utility will autorun or you can run the Driver CD Installation Utility directly by using mouse cursor to click the proper option on the page. Utility will invoke other applications to complete the rest of installation.

➤ **The drivers CAN NOT be installed directly from CD by using CD Installation Utility:**

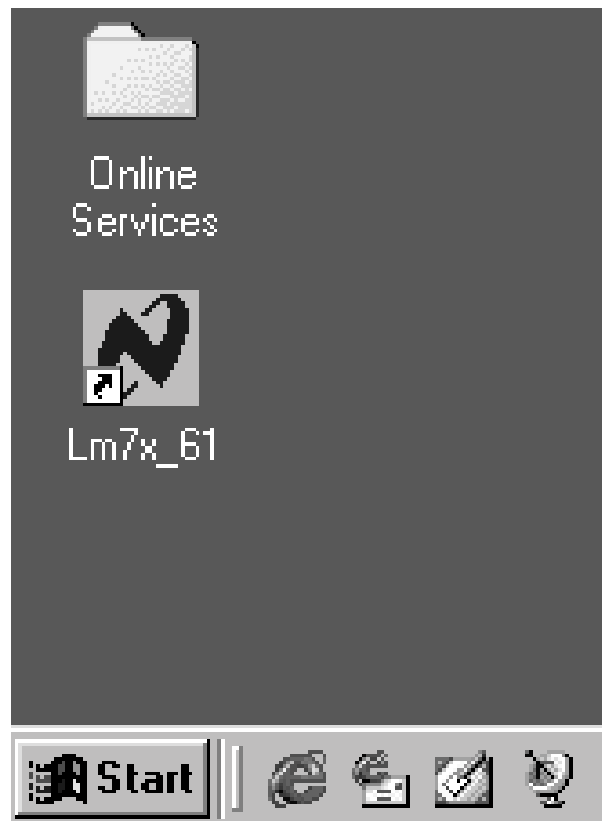
Please read the README.TXT located in the root directory on Multimedia CD to get drivers' locations and then refer to the INSTALL.TXT or README.TXT files located in each driver directory on the Driver CD to install drivers.

3.1.3 Using Software

- In general, you can get more detailed information in the on-line help or readme for the softwares.

- **Using NS LM78+61 Software** (optional)

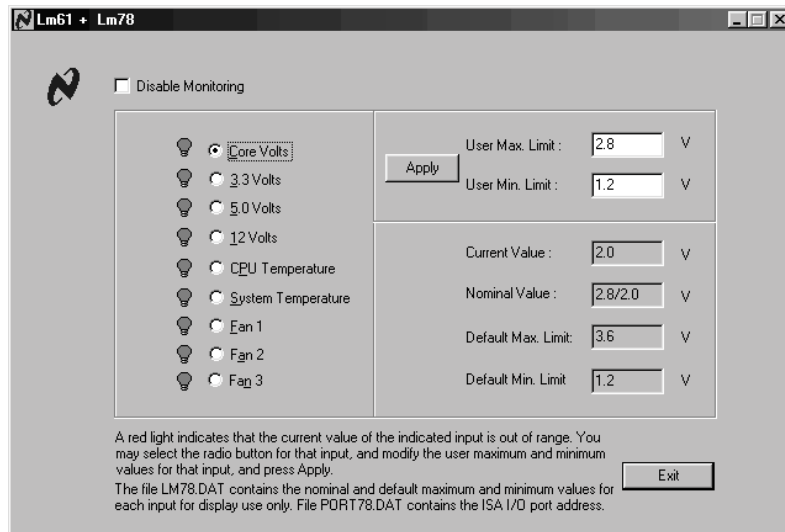
After the utility is installed, you can double click the “LM7x_61” shortcut on the screen to invoke the utility.



The drivers CAN NOT be installed directly from CD by using CD Installation Utility:

Please read the README.TXT located in the root directory on Multimedia CD to get drivers' location and then refer to the INSTALL.TXT or README.TXT files located in each driver directory on the Driver CD to install drivers.

Hardware Monitor, on-line help comes with the utility. You can refer to on-line help to make use of the utility.



4. Trouble Shooting

PROBLEM

No power to the system at all. Power light does not illuminate, fan inside power supply does not turn on. Indicator light on keyboard does not turn on.

PROBABLE CAUSE	DIAGNOSIS	SOLUTION
Power cable is unplugged.	Visually inspect power cable.	Make sure power cable is securely plugged in.
Defective power cable.	Visual inspection, try another cable.	Replace cable.
Power supply failure.	Power cable and wall socket are OK, but system is still dead.	Contact technical support.
Faulty wall outlet; circuit Breaker or fuse blown.	Plug in device known to work in socket and test	Use different socket, repair outlet, reset circuit breaker or replace fuse.

PROBLEM

System inoperative. Keyboard lights are on, power indicator lights are lit, hard drive is spinning.

PROBABLE CAUSE	DIAGNOSIS	SOLUTION
Expansion card is partially dislodged from expansion slot on the motherboard.	Turn off computer. Take cover off system unit. Check all expansion cards to ensure they are securely seated in slots.	Using even pressure on both ends of the expansion card, press down firmly on expansion card.
Defective floppy disk drive or tape drive.	Turn system off. Disconnect the cables from one of the floppy drives. Turn on the floppy drives. Turn on the system, check to see if the keyboard operates normally. Repeat until you have located defective unit.	Contact Technical Support.
Defective expansion card.	Turn computer off. Remove an expansion card.	Make sure expansion card is secure in expansion socket.

PROBLEM

System does not boot from hard disk drive, can be booted from floppy disk drive.

PROBABLE CAUSE	DIAGNOSIS	SOLUTION
Connector between hard drive and system board unplugged.	When attempting to run the FDISK utility described in the HARD DISK section of this manual you get a message, INVALID DRIVE SPECIFICATION.	Check cable running from disk to disk controller board. Make sure both ends are securely plugged in; check the drive type in the Standard CMOS Setup (see HARD DISK section of this manual).
Damaged Hard Disk or Disk Controller.	Format hard disk; if unable to do so the hard disk may be defective.	Contact Technical Support.
Hard Disk directory or FAT is scrambled.	Run the FDISK program, format the hard drive (see HARD DRIVE section of manual). Copy data that was backed up onto Hard Drive.	Backing up the hard drive is extremely important. All Hard Disk are capable of breaking down at any time.

PROBLEM

System only boots from floppy Disk. Hard disk can be read and applications can be used but booting from Hard Disk is impossible.

PROBABLE CAUSE	DIAGNOSIS	SOLUTION
Hard Disk boot program has been destroyed.	A number of causes could be behind this.	Back up data and applications files. Reformat the Hard Drive as described in the Hard Drive section of this manual. Re-install applications and data using backup disks.

PROBLEM

Error message reading "SECTOR NOT FOUND" or other error messages not allowing certain data to be retrieved.

PROBABLE CAUSE	DIAGNOSIS	SOLUTION
A number of causes could be behind this.	Use a file by file backup instead of an image backup in order to backup the Hard Disk.	Back up any salvageable data. Then low level format, partition, and high level format the hard drive (see Hard Disk section of this manual for instructions). Re-install all saved data when completed.

PROBLEM

Disk formatted on IBM PS/2 will not operate with this system.

PROBABLE CAUSE	DIAGNOSIS	SOLUTION
The IBM PS/2 uses a different format than other computers.	IBM PS/2 disk format will not work in an AT type computer.	Format disk in the AT type computer insert disk into the IBM PS/2 and copy the files you wish.

PROBLEM

After installing an expansion card (network card, tape drive card, etc.) the system no longer works properly.

PROBABLE CAUSE	DIAGNOSIS	SOLUTION
No power to monitor.	All or part of the system may be inoperable. The new card may work but a mouse or COM port may not work.	Change the interrupt or RAM address on the new expansion card. See the documentation that came with the new card in order to change pin settings. Many expansion devices come with proprietary software that will assist you in doing this.

PROBLEM

Screen message says "Invalid Configuration" or "CMOS Failure."

PROBABLE CAUSE	DIAGNOSIS	SOLUTION
Incorrect information entered into the configuration (setup) program.	Check the configuration program. Replace any incorrect information.	Review system's equipment . Make sure correct information is in setup.

PROBLEM

Screen is blank.

PROBABLE CAUSE	DIAGNOSIS	SOLUTION
No power to monitor.		Check the power connectors to monitor and to system. Make sure monitor is connected to display card, change I/O address on network card if applicable.
Monitor not connected to computer.		See instructions above.
Network card I/O address conflict.		See instructions above.

PROBLEM

PROBABLE CAUSE	DIAGNOSIS	SOLUTION
Memory problem, display card jumpers not set correctly.		Reboot computer. Reinstall memory, make sure that all memory modules are installed in correct sockets. Check jumper and switch settings on display card. See display card section for information on settings.
Computer virus.		Use anti-virus programs (McAfee, E-Prot, etc) to detect and clean viruses.

PROBLEM

Screen goes blank periodically.

PROBABLE CAUSE	DIAGNOSIS	SOLUTION
Screen saver is enabled.		Disable screen saver.

PROBLEM

Keyboard failure.

PROBABLE CAUSE	DIAGNOSIS	SOLUTION
Keyboard is disconnected.		Reconnect keyboard. Check keys again, if no improvement replace keyboard.

PROBLEM

No color on screen.

PROBABLE CAUSE	DIAGNOSIS	SOLUTION
Faulty Monitor.		If possible, connect monitor to another system. If no color replace monitor.
CMOS incorrectly set up.		Call technical support.

PROBLEM

Floppy drive light stays on.

PROBABLE CAUSE	DIAGNOSIS	SOLUTION
Floppy Drive cable not connected correctly.		Reconnect floppy cable making sure PIN1 on the Floppy Drive corresponds with PIN1 on Floppy cable connector.

PROBLEM

Error reading drive A:

PROBABLE CAUSE	DIAGNOSIS	SOLUTION
Bad floppy disk.		Try new floppy disk
Floppy disk not formatted		Format floppy disk (type FORMAT A: type ENTER)>.

PROBLEM

C: drive failure.

PROBABLE CAUSE	DIAGNOSIS	SOLUTION
SETUP program does not have correct information.		Boot from drive A: using DOS system disk. Input correct information to SETUP program.
Hard Drive cable not connected properly.		Check Hard Drive cable.

PROBLEM

Cannot boot system after installing second hard drive.

PROBABLE CAUSE	DIAGNOSIS	SOLUTION
Master/Slave jumpers not set correctly.		Set Master/Slave jumpers correctly.
Hard Drives not compatible / different manufacturers.		Run SETUP program and select correct drive types. Call Drive manufacturers for compatibility with other drives.

PROBLEM

Missing operating system on hard drive.

PROBABLE CAUSE	DIAGNOSIS	SOLUTION
CMOS setup has been changed.		Run setup and select correct drive type.

PROBLEM

Certain keys do not function.

PROBABLE CAUSE	DIAGNOSIS	SOLUTION
Keys jammed or defective.		Replace keyboard.

PROBLEM

Keyboard is locked, no keys function.

PROBABLE CAUSE	DIAGNOSIS	SOLUTION
Keyboard is locked.		Unlock keyboard.

08/25/1999
MADE IN TAIWAN
R.O.C