

---

## **Federal Communications Commission (F.C.C) Statement**

This device complies with Part 15 of the FCC Rules. Operation of this device is subject to the following two conditions: (1) this device may not cause harmful interference, and (2) this device must accept any interference received, including interference that may cause undesired operation.

Accessories: This device has been tested and found to comply with the limits of a Class B digital device, the accessories associated with this equipment are as follows:

1. Shielded serial cable. (Can be obtained from multiple retail outlets)
2. Shielded printer cable. (Can be obtained from multiple retail outlets)
3. Shielded video cable. (Can be obtained from multiple retail outlets)
4. Shielded power cord. (Provided by manufacturer)

These accessories are required to be used in order to ensure compliance with FCC Rules. It is the responsibility of the user to provide and use these accessories properly.

This equipment has been tested and found to comply with the limits of a Class B digital device, pursuant to Part 15 of the FCC Rules. These limits are designed to provide reasonable protection against harmful interference in a residential installation. This equipment generates, uses and can radiate radio frequency energy and, if not installed and used in accordance with the instructions, may cause harmful interference to radio communications. However, there is no guarantee that interference will not occur in a particular installation. If this equipment does cause harmful interference to radio or television reception, which can be determined by turning the equipment off and on, the user is encouraged to try to correct the interference by one or more of the following measures:

1. Reorient / Relocate the receiving antenna.
  2. Increase the separation between the equipment and receiver.
  3. Connect the equipment into an outlet on a circuit different from that to which the receiver is connected.
  4. Consult the dealer or an experienced radio/TV technician for help.
-

---

Caution: Changes or modifications not expressly approved by the manufacturer could void the user's authority to operate the equipment.

## **Disclaimer**

The Vendor makes no representations or warranties with respect to the contents hereof and specially disclaims any implied warranties of merchantability or fitness for any purpose. Further the Vendor reserves the right to revise this publication and to make changes from time to time in the contents hereof without obligation to notify any party beforehand. Duplication of this publication, in part or in whole, is not allowed without first obtaining the Vendor's approval in writing.

## **Trademarks and Remarks**

MS-DOS, Windows, Windows NT, and Windows 95 are products of Microsoft Corp, with its ownership of trademark, and are distributed by the Vendor under a license agreement.

All trademarks used in this manual are the property of their respective owners.

Copyright(C) 1992  
All Rights Reserved

## **Canadian D.O.C. Statement**

This digital apparatus does not exceed the Class B limits for radio noise emissions from digital apparatus as set out in the radio interference regulations of the Canadian Department of Communications.

And

Le present appareil numerique n'emet pas de bruits radioelectriques depassant les limites appliques aux appareils numeriques de Class B prescripts Dan le regalement usr le brouillage radioelectrique edict par le minister Des Communications du Canada.

---

## **Contents**

---

<b>Introduction .....</b>	<b>1-1</b>
<b>1 Motherboard Description .....</b>	<b>1-2</b>
1.1 Features .....	1-2
1.1.1 Hardware .....	1-2
1.1.2 Software .....	1-5
1.1.3 Attachments .....	1-5
1.2 Motherboard Installation .....	1-6
1.2.1 Layout of Motherboard .....	1-6
1.3 Motherboard Connectors .....	1-7
1.3.1 Front Panel Connectors (J9) .....	1-7
1.3.2 Back Panel Connectors .....	1-8
1.4 CPU Installation/Jumper Setting .....	1-9
1.4.1 CPU Installation Procedure .....	1-9
1.4.2 CPU Clock Selection (SW1) .....	1-16
1.5 Jumper Settings .....	1-17
1.5.1 CMOS Function Selection (JP3) .....	1-17
1.5.2 CPU Cooling Fan Power Connector (J1) .....	1-19
1.5.3 Wake-On-LAN Header (J14) .....	1-20
1.6 DRAM Installation .....	1-21
1.6.1 DIMM .....	1-21
1.6.2 How to install a DIMM Module .....	1-22
1.7 Audio Subsystem .....	1-23

## **Contents**

---

1.7.1 CD Audio Input Connector(JS5 and JS8 ).....	1-24
1.8 Software List .....	1-25
1.9 Software Installation .....	1-26
1.9.1 Installation for Windows 95/98:.....	1-26
1.9.2 Installation for Windows NT 4.0:.....	1-27
1.10 Using Software.....	1-28
1.10.1 Using AudioRack 32 .....	1-28
1.10.2 Using Midisoft Studio LE .....	1-29
1.11 PIIX4 Patch Files Setup .....	1-30
1.12 Serial and Parallel Interface Ports.....	1-32
<b>2. BIOS Setup.....</b>	<b>2-1</b>
2.1 Main Menu.....	2-3
2.2 Standard CMOS Setup Menu.....	2-6
2.3 BIOS Features Setup .....	2-11
2.4 Chipset Features Setup.....	2-18
2.5 Power Management Setup.....	2-23
2.6 PNP / PCI Configuration Setup.....	2-29
2.7 Load Setup Defaults.....	2-33
2.8 Integrated Peripherals Setup .....	2-34
2.9 Supervisor / User Password Setting .....	2-38
2.10 IDE HDD Auto Detection.....	2-40
2.11 Save & Exit Setup .....	2-41
2.12 Exit Without Saving.....	2-42

**Contents**

---

2.13 Application Software .....2-43

**3. Trouble Shooting ..... 3-1**

## Introduction

### System Overview

Thanks for buying this product! This manual was written to help you start using this product as quickly and smoothly as possible. Inside you will find adequate explanations to solve most problems. In order for this reference material to be of greatest use, refer to the “expanded table of contents” to find relevant topics.

This board incorporates the system board, ISA I/O, and PCI IDE into one board that provides a total PC solution. The motherboard, a Pentium II™/Celeron™ microprocessor based PC/Micro ATX system, supports ISA Bus and AGP and PCI Local Bus to support upgrades to your system performance. It is ideal for multi-tasking and fully supports MS-DOS, Windows, Windows NT, Novell, OS/2, Windows9x, UNIX, SCO UNIX etc. This manual also explains how to install the motherboard for operation and how to setup your CMOS configuration with the BIOS setup program.

# 1 Motherboard Description

## 1.1 Features

### 1.1.1 Hardware

#### CPU

- The Pentium II™ / Celeron™ Processor provides the new generation power for high-end workstations and servers.
- Provides slot1.

#### Speed

- Supports CPU bus frequency 66MHz/100MHz.
- Supports from 233MHz to 450MHz CPU core speed.
- Supports 33MHz PCI Bus speed.
- I/O clock 8MHz for ISA Bus.
- Supports 66MHz / 133MHz AGP Bus.

#### DRAM Memory

- Supports 8/16/32/64/128....MB, 3.3V / Unbuffered DIMM module socket.
- Supports Synchronous DRAM.
- Supports a maximum memory size of 384MB with SDRAM.

#### Flash Memory

- Supports flash memory.
- Supports ESCD Function.

#### Shadow RAM

- A memory controller that provides shadow RAM and supports 8-bit ROM BIOS.

**Green Function**

- Supports power management operation via BIOS.
- Power down timer from 1 min to 15 mins.
- Wakes up by any key pressed or mouse activity.

**BUS Slots**

- Provides two 16-bit ISA Bus slots and two PCI Bus slots, one AGP Bus slot.

**PCI Enhanced IDE Built-in On Board**

- Supports 4 IDE hard disk drives.
- Supports PIO mode 4, Master Mode, high performance hard disk drives.
- Supports Ultra DMA/33, Bus Master Mode.
- Supports IDE interface with CD-ROM.
- Supports high capacity hard disk drives.
- Supports LBA mode.
- Supports LS120/ZIP 100.

**PCI Sound Built-in Onboard**

- ESS™ Solo1™ Sound Chip.
- Full native DOS games compatibility.
- High-Quality ESFM music synthesizer.
- Software Wavetable synthesizer.
- Integrated Spatialzer 3D audio effects processor.
- 16-Bit stereo ADC and DAC.
- Full-Duplex operation for simultaneous record and playback.
- Supports
  - (1) PC games and applications for Sound Blaster™ and Sound Blaster Pro™.
  - (2) Microsoft Windows Sound System, PC 97™/PC 98™ and WHQL™ specifications.

**ISA I/O Built-in Onboard**

- Supports one multi-mode Parallel Port.
    - (1) Standard & Bidirection Parallel Port.
-



- (2) Enhanced Parallel Port (EPP).
- (3) Extended Capabilities Port (ECP).
- Supports two serial ports, 16550 UART with 16 byte FIFO.
- Supports one Infrared transmission (IR) port.
- Supports PS/2 Mouse , PS/2 Keyboard.
- Supports 360KB, 720KB, 1.2MB, 1.44MB and 2.88MB floppy disk drives.

### **Hardware Monitor Subsystem (Optional)**

The hardware monitor subsystem provides low-cost instrumentation capabilities. The features of the hardware monitor subsystem include:

- Management Level 4 functionality
- Microprocessor System Hardware Monitor:
  - Integrated temperature and voltage monitoring to detect levels above or below acceptable values(+12V, -12V, +5V, +3.3V). When suggested ratings for temperature, fan speed, or voltage are exceeded, an interrupt is activated.
  - One fan speed sensors
- Remote reset capabilities from a remote peer or server.

### **Universal Serial Bus**

- Supports two Universal Serial Bus (U.S.B.) Ports.
- Supports 48 MHz USB.

### **Dimension**

- 24.3 cm X 20.5 cm (W x L)

## **1.1.2 Software**

### **BIOS**

- AWARD legal BIOS.
- Supports APM1.2.
- Supports USB Function.
- Supports ACPI.

### **Operating System**

- Offers the highest performance for MS-DOS, OS/2, Windows, Windows NT, Windows 9x, Novell, UNIX, SCO UNIX etc.

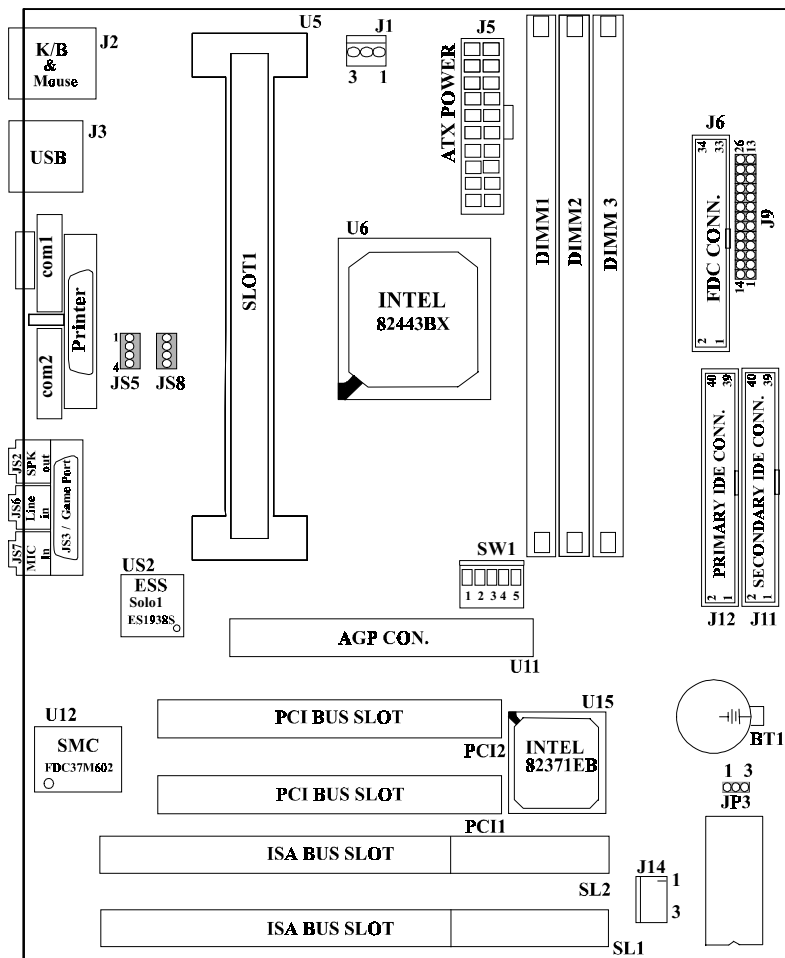
## **1.1.3 Attachments**

- HDD Cable
- FDD Cable
- Retention Kits for CPU
- CD for Driver and BIOS flash utility
- Rear I/O Panel for Micro ATX Case (Optional)

## 1.2 Motherboard Installation

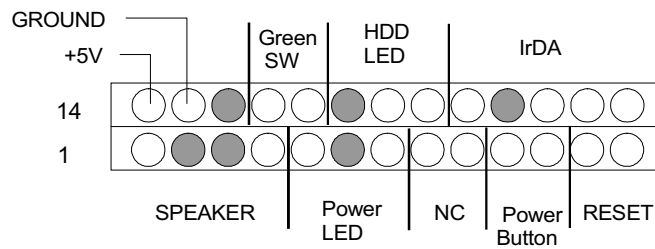
### 1.2.1 Layout of Motherboard

Model No.M6TBE Ver:1.0



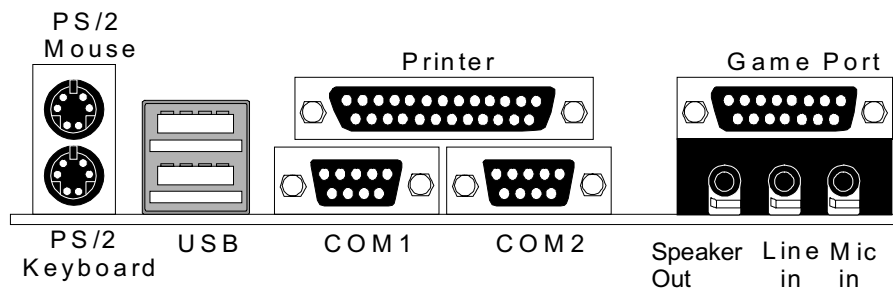
## 1.3 Motherboard Connectors

### 1.3.1 Front Panel Connectors (J9)



Pin No.	Assignment	Function	Pin No.	Assignment	Function
1	Speaker	Speaker Connector	14	+5V	VCC
2	NC		15	Ground	Ground
3	NC		16	Ground	
4	+5V		17	Green Control	Green Switch
5	Power LED(+)	Power LED	18	Ground	
6	NC		19	NC	HDD LED
7	Ground		20	HDD LED(-)	
8	NC	No Function	21	HDD LED(+)	
9	NC		22	+5V	IrDA Connector
10	Power Switch	ATX Power Button	23	NC	
11	Standby Voltage		24	IRRX	
12	Reset Control	Reset	25	Ground	
13	Ground		26	IRTX	

### 1.3.2 Back Panel Connectors

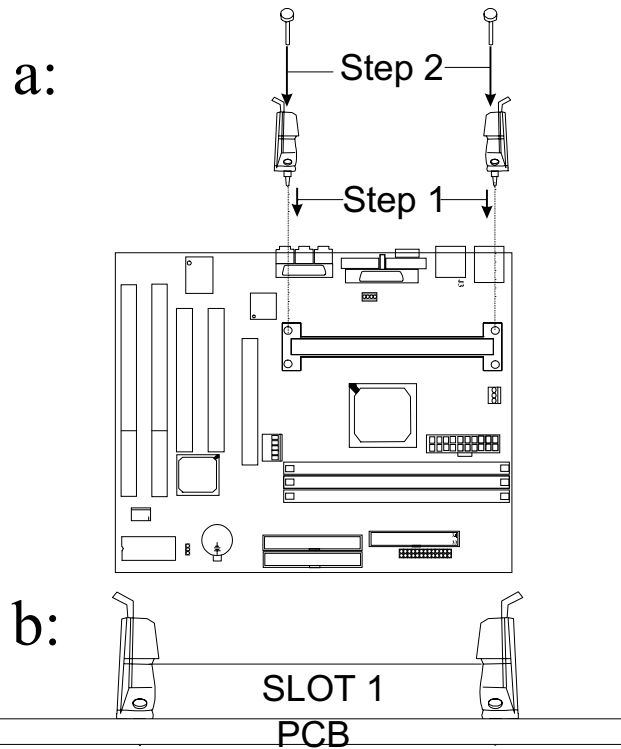


## 1.4 CPU Installation/Jumper Setting

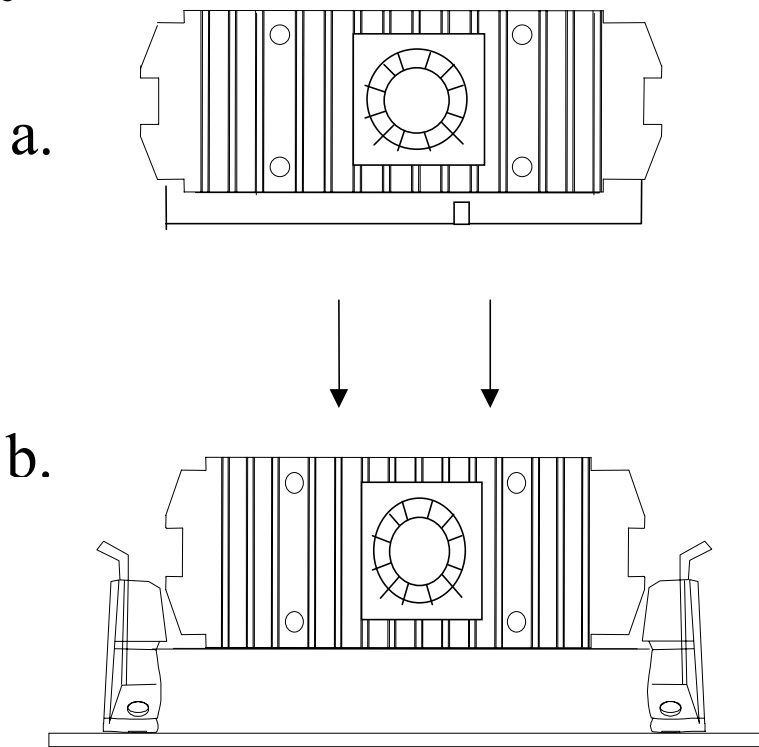
### 1.4.1 CPU Installation Procedure

#### (1) Celeron™ CPU Installation Procedure

Step 1:



**Step 3**



## (2)Pentium II CPU Installation Procedure

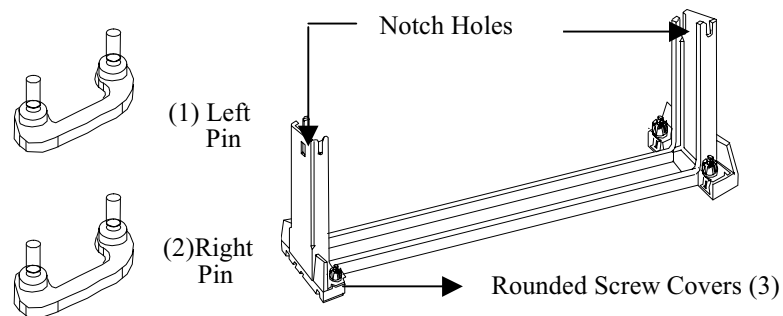
The M6TBE motherboard provides one Single Edge Contact (SEC) slot. This slot allows you to install a Pentium II CPU.

### Before you use:

Please look on your motherboard and locate the CPU fan and CPU fan power supply. Please verify that this fan is directly used to cool the CPU and its heat sink, as well as to cool the motherboard and circulate the air.

**WARNING : If air circulation is insufficient, the CPU will overheat, which may damage the CPU, CPU slot, and the motherboard.**

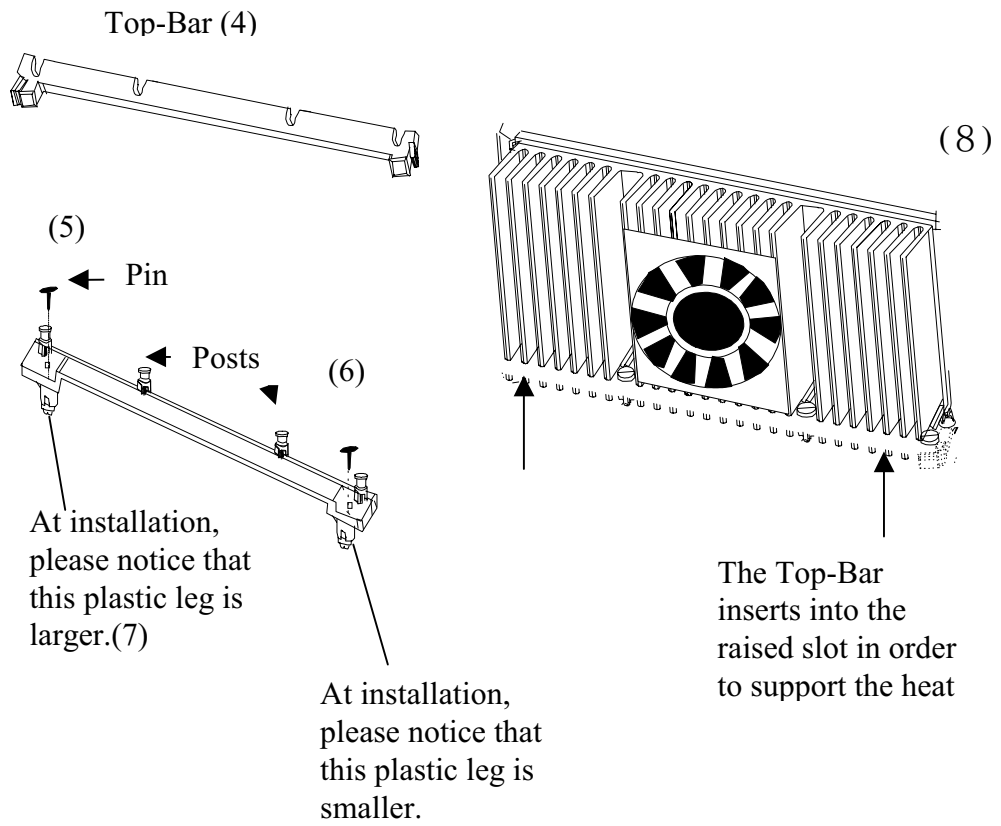
Please inspect your motherboard to see if it has the Pentium II CPU retention kit components. (ATTENTION: The CPU installation component color and shape may vary slightly based on kits coming from different suppliers.)





**Pentium II Heat Sink Pins**

**Pentium II Heat Sink Bracket**

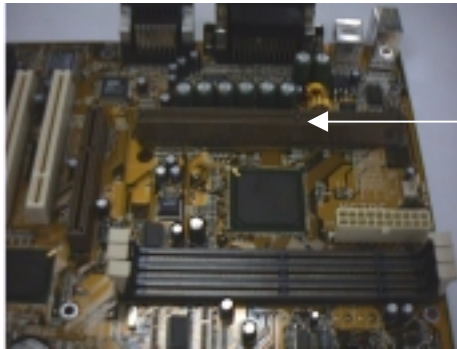


**Heat Sink Support Base Frame**

**Heat Sink Support**

**M6TBE Pentium II CPU Special Installation and Setup :**

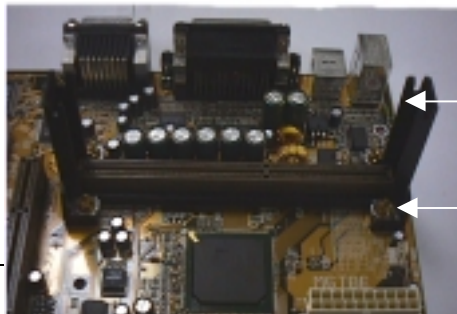
Around Pentium II CPU SEC slot

**Install Pentium II:**

Single Edge Contact  
(SEC) slot.

**1 · Installing the Pentium II Heat Sink Support Frame :**

The Heat Sink Support Base can only be inserted one-way. Please match the leg sizes on the Heat Sink Support Base to the holes on the motherboard. Please remember the notch holes align with the Intel Chip AGP Support Frame. After gently and snugly inserting the Intel Chip AGP Support Frame into the motherboard, please insert the H screws from the bottom of the motherboard and tighten into the rounded screw covers.

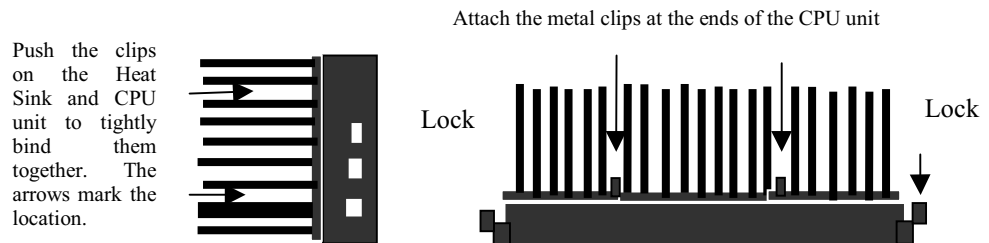


Notch holes

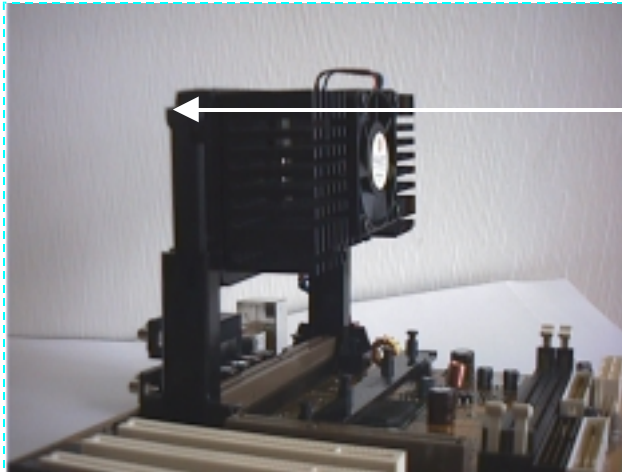
Rounded screw covers

## 2. Installing the CPU Heat sink : Take the smooth side of the Heat Sink

and bound it closely together with the Pentium II CPU. Next, at the ends of the Heat Sink, clip the CPU together with the Heat Sink. Please verify that there is zero space between the Heat Sink and CPU unit. **WARNING:** If there is any space between the CPU and Heat Sink, the CPU will over-heat severely and may damage the CPU.

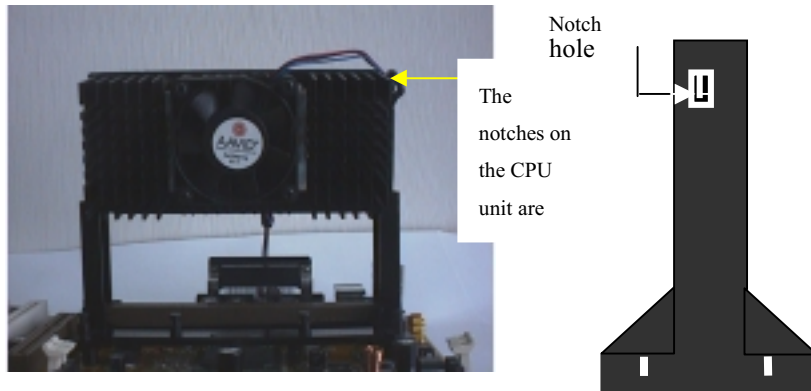


## 3. Insert the Pentium II into the SEC Slot. First, press the CPU unit into the Frame until it fits snugly into the notch holes. Then, clip the Heat Sink and CPU together with the Heat Sink Support Frame.

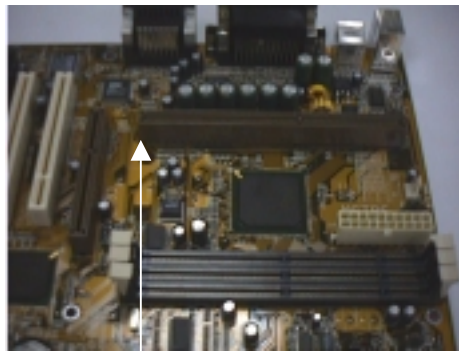


The correct direction to insert the Heat Sink and CPU into the Heat Sink Support Frame should allow you to easily insert them

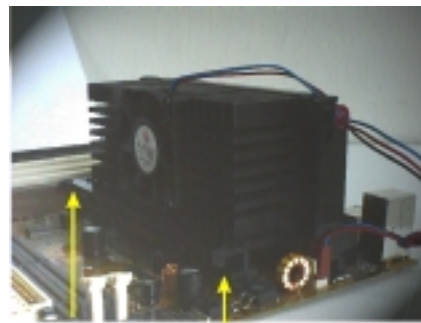
4. Pushing the CPU unit into the frame, wait until the CPU unit is firmly in position before securing. The notches are pushed out. They will fit tightly into the Heat Sink Frame Notch holes.



5. Firmly secure the Heat Sink by attaching the Heat Sink Frame TOP-Bar. Please verify that the Heat Sink and CPU are tightly pressed together. Please check that the entire Frame, Heat Sink, and CPU unit are tightly installed and that there is no possible movement or looseness in the assembly.



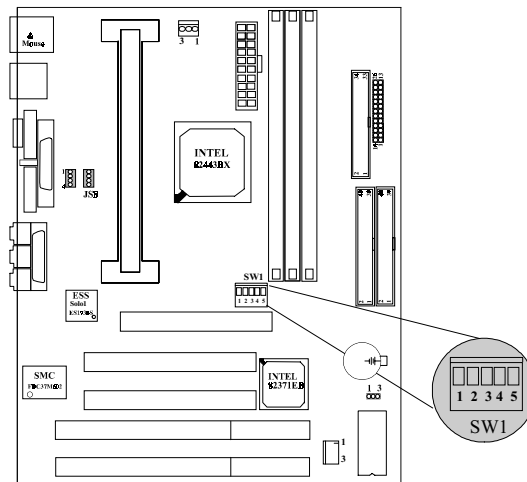
Heat Sink Support



Place the Top-Bar over the Support Frame

conveniently lock out the plastic notches at the end of the Support Frame.

### 1.4.2 CPU Clock Selection (SW1)

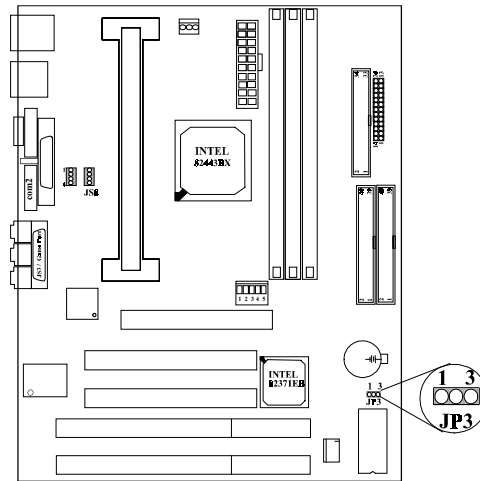


CPU Speed	RATIO	SW1(1)	SW1(2)	SW1(3)	SW1(4)	SW1(5)
233MHz	66 x3.5	OFF	OFF	ON	ON	ON
266MHz	66 x4.0	ON	ON	OFF	ON	ON
300MHz	66 x4.5	OFF	ON	OFF	ON	ON
333MHz	66 x5.0	ON	OFF	OFF	ON	ON
350MHz	100 x3.5	OFF	OFF	ON	OFF	OFF
400MHz	100 x4.0	ON	ON	OFF	OFF	OFF
450MHz	100 x4.5	OFF	ON	OFF	OFF	OFF

## 1.5 Jumper Settings

A jumper is two or more pins which may be covered by a plastic jumper cap, allowing you to select different system options.

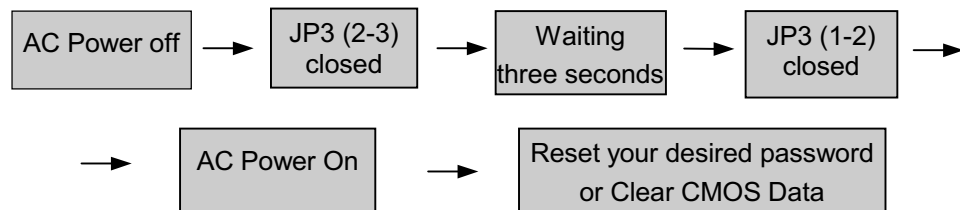
### 1.5.1 CMOS Function Selection (JP3)



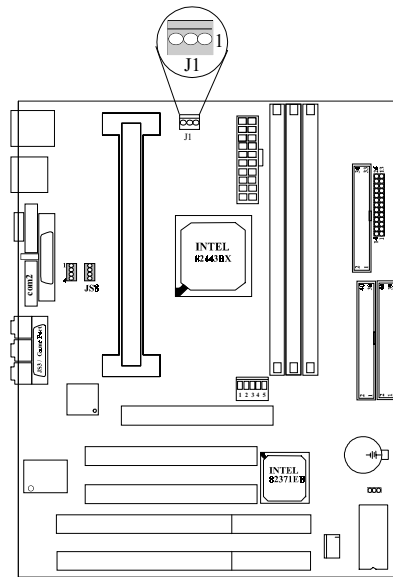
JP3	Assignment
<p>1-2 Closed</p>	Normal Operation (default)
<p>2-3 Closed</p>	Clear CMOS Data (*Note)
<p>Open</p>	Onboard Battery Disabled

**Note : Please follow the procedure as below to clear CMOS Data.**

**Note : Please follow the procedure as below to clear BIOS Password if your password is lost or forgotten.**



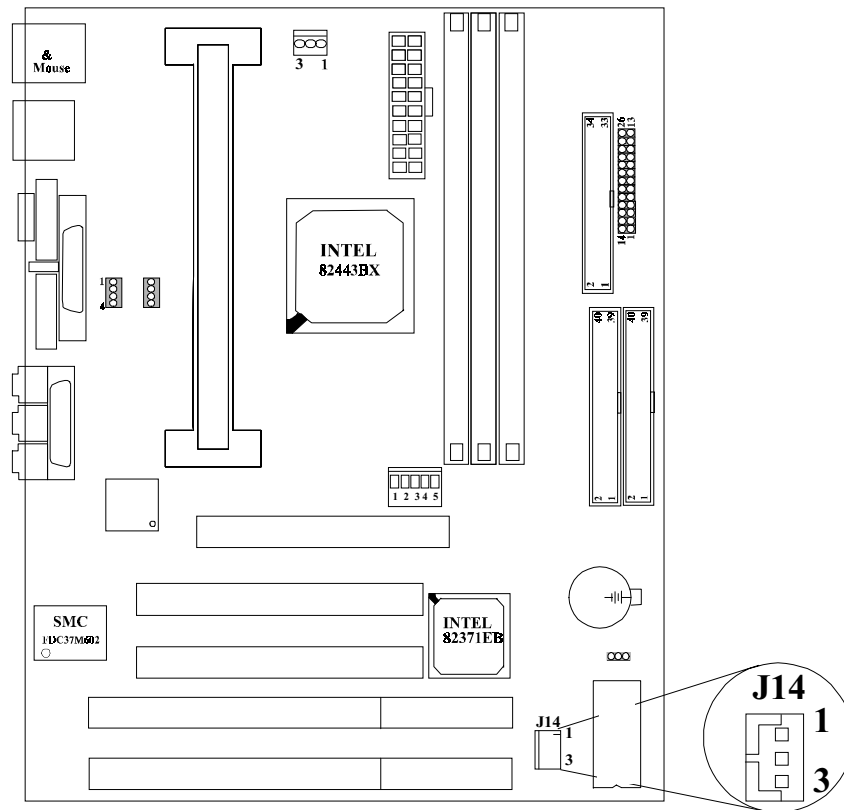
## 1.5.2 CPU Cooling Fan Power Connector (J1)



Pin No.	Assignment
1	Ground
2	+12V
3	Fan R.P.M Sense



### 1.5.3 Wake-On-LAN Header (J14)



Pin No.	Assignment
1	+5 V Standby Voltage
2	Ground
3	MP-Wakeup

## 1.6 DRAM Installation

### 1.6.1 DIMM

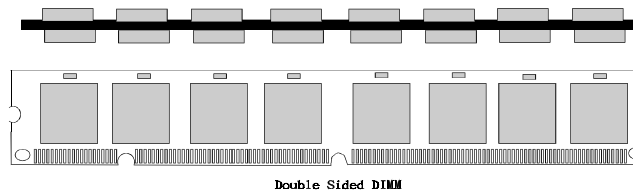
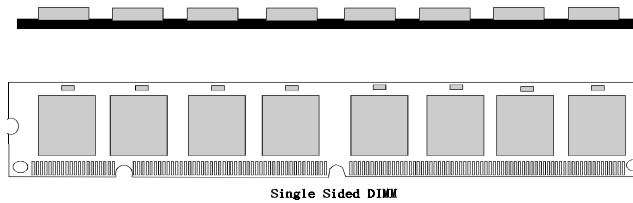
DRAM Access Time : 3.3V Unbuffered SDRAM PC100 Type required.  
 DRAM Type : 8MB/16MB/32MB/64MB/128MB DIMM Module  
 (168pin)

Total Memory Size (MB)	Bank 0 DIMM1	Bank 1 DIMM2	Bank 2 DIMM3
8M	8M x 1 pc	----	----
16M	16M x 1 pc	----	----
32M	32M x 1 pc	----	----
64M	64M x 1 pc	----	----
128M	128M x 1 pc	----	----
16M	8M x 1 pc	8M x 1 pc	----
32M	16M x 1 pc	16M x 1 pc	----
64M	32M x 1 pc	32M x 1 pc	----
128M	64M x 1 pc	64M x 1 pc	----
24M	8M x 1 pc	8M x 1 pc	8M x 1 pc
40M	16M x 1 pc	16M x 1 pc	8M x 1 pc
72M	32M x 1 pc	32M x 1 pc	8M x 1 pc
136M	64M x 1 pc	64M x 1 pc	8M x 1 pc
32M	8M x 1 pc	8M x 1 pc	16M x 1 pc
48M	16M x 1 pc	16M x 1 pc	16M x 1 pc
80M	32M x 1 pc	32M x 1 pc	16M x 1 pc
144M	64M x 1 pc	64M x 1 pc	16M x 1 pc
48M	8M x 1 pc	8M x 1 pc	32M x 1 pc
64M	16M x 1 pc	16M x 1 pc	32M x 1 pc
96M	32M x 1 pc	32M x 1 pc	32M x 1 pc
160M	64M x 1 pc	64M x 1 pc	32M x 1 pc
80M	8M x 1 pc	8M x 1 pc	64M x 1 pc
98M	16M x 1 pc	16M x 1 pc	64M x 1 pc
128M	32M x 1 pc	32M x 1 pc	64M x 1 pc
192M	64M x 1 pc	64M x 1 pc	64M x 1 pc

384M	128M x 1 pc	128M x 1 pc	128M x 1 pc
------	-------------	-------------	-------------

\*The list shown above for DRAM configuration is only for reference.

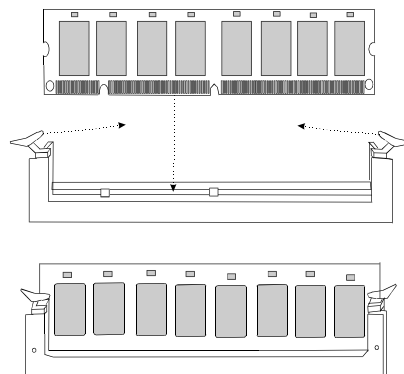
### 1.6.2 How to install a DIMM Module



1. The DIMM socket has a “Plastic Safety Tab” and the DIMM memory module has an asymmetrical notch”, so the DIMM memory module can only fit into the slot in one direction.

2. Push the tabs out. Insert the DIMM memory modules into the socket at 90-degree angle then push down vertically position so that it will fit into place.

3. The Mounting Holes and plastic tabs



should fit over the edge and hold the DIMM memory modules in place.

## 1.7 Audio Subsystem

### Chipset:

- ESS ES1938S Solo-1

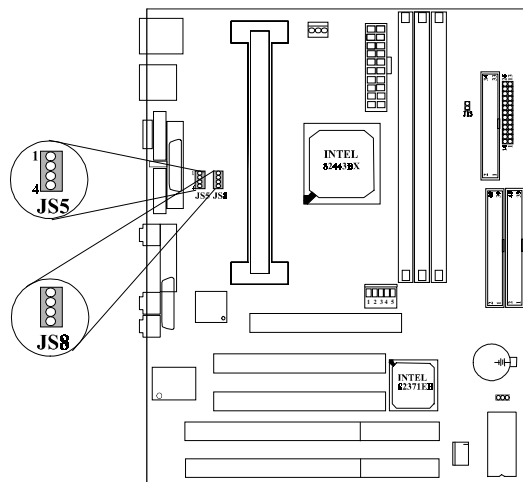
### Interface:

- PCI Interface

### Features

- Full native DOS games compatibility
- High-Quality ESFM music synthesizer.
- Software Wavetable synthesizer.
- Integrated Spatializer 3D audio effects processor.
- 16-Bit stereo ACD and DAC.
- Full-Duplex operation for simultaneous record and playback.
- Advanced power management meets ACPI standards.
- Supports PC games and applications for Sound Blaster and Sound Blaster Pro, Microsoft Windows Sound System, PC 97/PC 98 and WHQL specifications.
- PCI 2.1 interface support.

### 1.7.1 CD Audio Input Connector (JS5 and JS8)



Pin No. of JS5	Assignment
4	Right Channel Input
3	GND
2	GND
1	Left Channel Input

Pin No. of JS8	Assignment
4	GND
3	Right Channel Input
2	GND

1	Left Channel Input
---	--------------------

## 1.8 Software List

**NOTE: The mark \* means it can be installed directly from CD by using CD Installation Utility ( i.e. START.EXE).**

### Drivers

Category	Location in CD
Windows 95 / 98	\Esstech\Win9x
Windows NT 4.0	\Esstech\WinNT40

### Applications

Name	Location in CD	Platform
AudioRack 32 *	\Esstech\Arakp350	Windows 95 / 98
Midisoft Studio LE *	\Esstech\Stud4le	Windows 95 / 98 / NT4.0

## 1.9 Software Installation

There is an installation wizard, **Driver CD Installation Utility** (START.EXE), located in the root of the CD to let users install drivers directly and conveniently.

### 1.9.1 Installation for Windows 95/98:

1. Start Windows 95 / 98 and open Device Manager (under Control Panel, System)

2. Locate the existing reference to the card it will be listed as:

"Sound, video and game controllers / PCI Multimedia Audio Device"

3. Double Click on the card, then click the driver Tab

#### **For Windows 95**

- 4a. Click "Update Driver" button and choose "Have Disk" button.

#### **For Windows 95 OSR2.X**

- 4b. Click "Update Driver" button and click "Next" button, then choose "Other Locations..." button.

5. Point to the location of ESS Solo-1 on-board sound drivers  
For example: X:\Esstech\Win9x      X: is your CD-ROM drive where this CD located.

and click OK.

6. You MAY then be prompted to insert the Driver Disk. Again, point to the path as above and press OK.

7. Windows will copy the drivers.

### **1.9.2 Installation for Windows NT 4.0:**

1. Start Windows NT 4.0 and open Devices tab in Multimedia Properties Panel  
(Control Panel, Multimedia)

2. Click "Add..." button and choose "Unlisted or Updated Driver" option, then  
click "OK" button.

3. Point to the location of ESS Solo-1 onboard sound drivers

For example: X:\Esstech\Winnt40 X: is your CD-ROM drive where this CD is located.

and click "OK".

4. In Add Unlisted or Updated Driver Dialog, click "OK" button.

5. Windows will copy the drivers.



## 1.10 Using Software

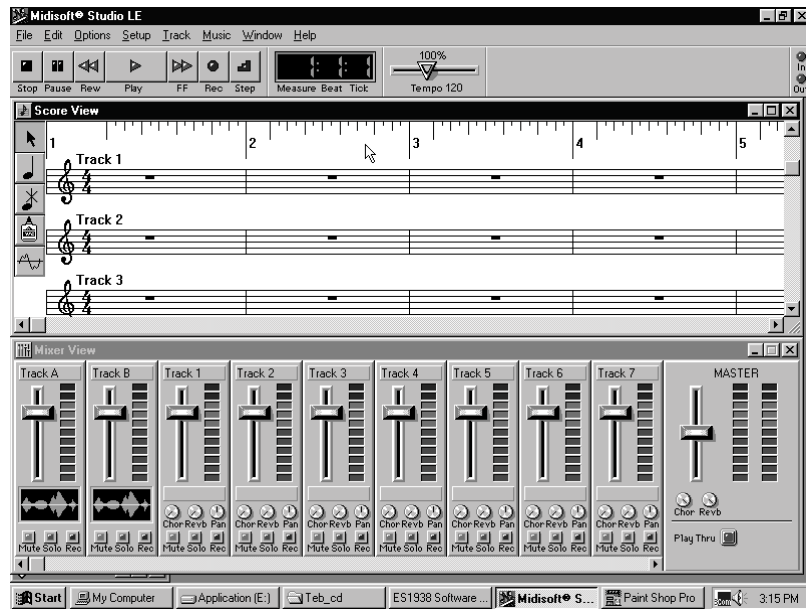
### 1.10.1 Using AudioRack 32

After the AudioRack 32 Software Installation is completed, please refer to Readme.txt and Online Help that comes with AudioRack 32 for detailed information before using AudioRack 32.



### 1.10.2 Using Midisoft Studio LE

After the Midisoft Studio LE Software Installation is completed, please refer to the Online Help that comes with Midisoft Studio LE for detailed information before using the application.



## 1.11 PIIX4 Patch Files Setup

This program is designed for following versions of BIOSTAR Motherboard to fix the problem that IDE BUS Master, USB and Power management entries cannot be configured correctly in the device manager.

This section describes how to install the software on a system where **Windows 95\*** is installed.

"**Windows 95\***" means the following versions of Windows 95 operating system:

<b>Version 950</b>	Windows 95 ( <b>Retail Release</b> )
<b>Version 950A</b>	Windows 95 OEM Service Release 1 ( <b>OSR1</b> )
<b>Version 950B</b>	Windows 95 OEM Service Release 2.0 ( <b>OSR2</b> ) or Windows 95 OEM Service Release 2.0 plus USB Supplement ( <b>OSR2.1</b> )

1. Check the System Requirements. Windows 95\* must be fully installed and running on the system prior to running this software.
2. Close any running applications.
3. Remove references to installed real-mode IDE device drivers in the **AUTOEXEC.BAT** and **CONFIG.SYS** files (especially any drivers that control ATAPI CD-ROM and special IDE features). Use the Notepad utility to do this.
4. The driver files are stored in an integrated application setup program. This program is a Windows 95\* program that allows the driver files to be **INSTALLED**. Execute the driver setup program.

\*\*\* Run **BSFIX.EXE**.

5. Click '**Start**' on Main Screen to begin the install procedure.

**NOTE:** If you click '**Cancel**', program will terminate.

6. After the install procedure completed, click '**OK**' to restart the system when prompted to do so. If you don't want to reboot immediately, you must remember to reboot your system later!
7. Follow the screen instructions and use default settings to complete the setup when Windows 95\* is re-started. Upon re-start, Windows 95\* will display that it has found an **Intel PCI Bus Master IDE controller hardware** and also installing hardware for it.

If a "**New Hardware Found**" dialog box is displayed requesting the location of the drivers, use the mouse to click on the scrollbar and click on the **<Windows 95\* directory> \ System \ IOSubSys path:**

For example:

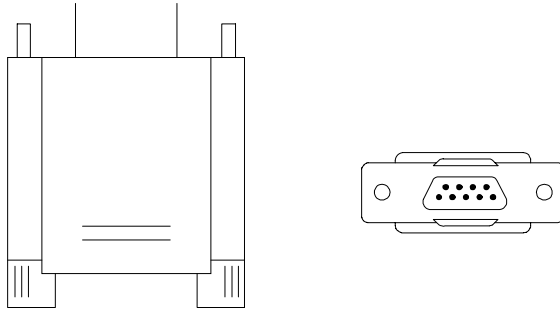
- a. Click on '**C:\WINDOWS\SYSTEM\IOSUBSYS\**
  - b. Click '**OK**'.
8. Select '**Yes**', when prompted to re-start Windows 95\*.
  9. Select '**Yes**' again, when you prompted to re-start Windows 95\*.

## 1.12 Serial and Parallel Interface Ports

This system equipped with two serial ports and one parallel port. Both types of interface ports will be explained in this chapter.

### The Serial Interface Port

The serial interface port is sometimes referred to as a RS-232 port or an asynchronous communications port. Mice, printers, modems and other peripheral devices can be connected to a serial port. The serial port can also be used to connect your computer with another computer system. If you wish to transfer the contents of your hard disk to another system it can be accomplished by using each machine's serial port.



The serial ports on this system have two types of connectors, one 9-pin and one 25-pin. Some older computer systems and peripherals may only have a 25-pin connector. Should you need to connect your 9-pin serial port to a 25-pin serial port, you can purchase a 9-to-25 pin adapter.

## Connectivity

The many ways that a serial port can be used make it necessary to be familiarized with the pinout diagram. The following chart gives you the function of each pin on the 9-pin connector. This information can be used when configuring certain software programs to work with the serial port.

<b>Signal</b>	<b>Name</b>	<b>DB9 PIN</b>	<b>DB25 PIN</b>
DCD	Data Carrier Detect	1	8
RX	Receive Data	2	3
TX	Transmit Data	3	2
DTR	Data Terminal Ready	4	20
GND	Signal Ground	5	7
DSR	Data Set Ready	6	6
RTS	Request to Send	7	4
CTS	Clear to Send	8	5
RI	Ring Indicator	9	22

## Special Applications

There are two types of serial devices that can be connected to a serial port. One of the devices is called the “DTE” (Data Terminal Equipment) and the other device is called the “DCE” (Data Communications Equipment). If a modem is connected to a computer, for example, the modem is called the DCE and the computer is called the DTE. In situations such as this, the pins on the serial ports can be connected straight through.

In instances when there are two DTE devices connected together, such as a computer and a printer, a special adapter called a “Null Modem” is needed to make communication between the two devices possible.

When using the serial port to communicate between devices, one problem in particular may arise. Some manufacturers use one set of signals to begin communication with another device and other manufacturers do not use these signals to begin communication. If you encounter a communication problem that cannot be resolved using a null modem, it can generally be assumed that one device is using the initialization signals and the other device is not. This can usually be resolved by wiring the RTS, CTS, and DCD pins together.

## Serial Ports/COM Ports

The two serial ports on the computer are called COM1 and COM2, respectively. If you wish, two more serial ports can be added onto the computer using optional hardware. Should you choose to add the extra Serial ports (COM ports), they would be called COM3 and COM4.

When using serial ports to communicate with a peripheral devices, be sure to assign only one COM port number to each device. For example, if a printer and a scanner are both connected to your computer through serial ports the printer must be assigned one COM port (i.e. COM1) and the scanner must be assigned the other COM port (i.e. COM2). No two devices can be assigned to one COM port. Each peripheral must have its own COM port.

**NOTE: Four serial ports may be installed on the computer. However, no more than two ports can be used simultaneously.**

\*If you have installed an internal modem, be careful not to assign a COM port number that has already been assigned to another device. This error is common.

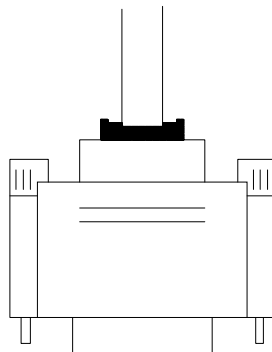
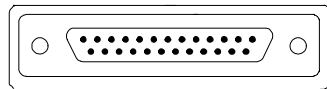
When installing a device that is going to require the use of a serial port, use a diagnostic program to find out which ports are available. It may be necessary to remove expansion cards that have serial ports in order to check their jumper settings. The jumper settings will indicate which COM port the card has been assigned. Checking the expansion card will eliminate mistakes in overlapping COM ports. Once you have completed the installation of peripheral devices using the serial ports, be sure that the communication parameters such as baud rate, parity bit, etc. are matching. If your computer is set for a baud rate of 9600 and your modem is set for a baud rate of 2400, you will not be able to send messages. The manuals



that accompany the peripheral devices will inform you on the procedure for setting their parameters. Software manuals will also have instructions on setting parameters.

## Parallel Interface Ports

Unlike the serial port, parallel interface ports have been standardized and should not present any difficulty interfacing peripherals to your system. Sometimes called a Centronics port, the parallel port is almost exclusively used with printers. The parallel port on your system has a 25-pin, DB5 connector (see picture below). The pinouts for the parallel port are shown in the table below.



Signal	Pin
-Strobe	1
Data 0	2
Data 1	3
Data 2	4
Data 3	5
Data 4	6
Data 5	7
Data 6	8
Data 7	9
-Ack	10
Busy	11
Paper Empty	12
+Select	13
-Auto FDXT	14
-Error	15
-Init	16
-SLCTN	17
Ground	18
Ground	19
Ground	20
Ground	21
Ground	22
Ground	23

Ground	24
Ground	25
Ground	26

## 2. BIOS Setup

### Entering Setup

Power on the computer and press <Del> immediately allowing you to enter Setup. The other way to enter Setup is to power on the Computer, and when the message below appears briefly at the bottom of the screen during the POST (Power On Self Test), press the <Del> key or simultaneously press the <CTRL>, <Alt>, and <Esc> keys.

#### **TO ENTER SETUP BEFORE BOOT PRESS CTRL-ALT-ESC OR DEL KEY**

If the message disappears before you respond and you still wish to enter Setup, restart the system again by turning it OFF then ON or pressing the "RESET" button on the system case. You may also restart by simultaneously pressing the < CTRL>, <Alt>, and <Delete> keys. If you do not press the keys at the correct time and the system does not boot, an error message will be displayed, and you will again be asked to:

#### **PRESS F1 TO CONTINUE, CTRL-ALT-ESC OR DEL TO ENTER SETUP**

### Main Menu

The on line description of the highlighted setup function is displayed at the bottom of the screen.

### Status Page Setup Menu/Option Page Setup Menu

Press <F1> to pop up a small help window that describes the appropriate keys to use and the possible selections for the highlighted item. To exit the Help Window Press <Esc>.

## Control Keys

Up arrow	Move to previous item
Down arrow	Move to next item
Left arrow	Move to the item at left
Right arrow	Move to the item at right
Esc key	Main Menu:make a space Quit and do not save changes into CMOS Status Page Setup Menu and Option Page Setup Menu: Exit current page and return to Main Menu
PgUp key	Increase the numeric value or make changes
PgDn key	Decrease the numeric value or make changes
+ key	Increase the numeric value or make changes
- key	Decrease the numeric value or make changes
F1 key	General help, only for Status Page Setup Menu and Option Page Setup Menu
(Shift) F2 key	Change color to one of 16 colors. F2 to select color forward, (Shift) F2 to select color backward
F3 key	Reserved
F4 key	Reserved
F5 key	Restore the previous CMOS value, only for Option Page Setup Menu
F6 key	Load the default CMOS value from BIOS default table, only for Option Page Setup Menu
F7 key	Load the default
F8 key	Reserved
F9 key	Reserved
F10 key	Save all the CMOS changes, only for Main Menu

## 2.1 Main Menu

Once you enter AWARD BIOS CMOS Setup Utility, the Main Menu(**Figure 1**) will appear on the screen. The Main Menu allows you to select an item and press <Enter> to accept or enter its sub-menu.

### ■ Figure 1. Main Menu

ROM PCI/ISA BIOS (xxxxxxx)  
CMOS SETUP UTILITY  
AWARD SOFTWARE, INC.

<b>STANDARD CMOS SETUP</b>	INTEGRATED PERIPHERALS
BIOS FEATURES SETUP	SUPERVISOR PASSWORD
CHIPSET FEATURES SETUP	USER PASSWORD
POWER MANAGEMENT SETUP	IDE HDD AUTO DETECTION
PNP / PCI CONFIGURATION	SAVE & EXIT SETUP
LOAD SETUP DEFAULTS	EXIT WITHOUT SAVING
Esc : Quit	↑ ↓ → ← : Select Item
F10 : Save & Exit Setup	(Shift) F2 : Change Color
Time, Date, Hard Disk Type...	

### Standard CMOS Setup

This setup page includes all the items in a standard compatible BIOS.

## **BIOS Features Setup**

This setup page includes all the items for the BIOS special enhanced features.

## **Chipset Features Setup**

This setup page includes all the items for chipset special features.

## **Power Management Setup**

This setup page includes all the items for power management features.

## **PnP / PCI Configuration**

This category specifies the value (in units of PCI bus clocks) of the latency timer for this PCI bus master and the IRQ level for PCI device.

## **Load Setup Defaults**

Chipset defaults indicates the values required by the system for maximum performance. The OEM manufacturer may change to defaults through MODBIN before the binary image burn into the ROM.

## **Integrated Peripherals**

This setup page includes all the items for Integrated Peripherals features.

## **Supervisor Password / User Password Setting**

Change, set, or disable password. It allows you to limit access to the system and Setup, or just to Setup.

**IDE HDD Auto Detection**

Automatically configure hard disk parameters.

**Save & Exit Setup**

Save CMOS value changes to CMOS and exit setup.

**Exit Without Saving**

Abandon all CMOS value changes and exit setup.

## 2.2 Standard CMOS Setup Menu

The items in the Standard CMOS Setup Menu are divided into categories. Each category includes no, one, or more than one setup item. Use the arrow keys to highlight the item and then use the <PgUp> or <PgDn> keys to select the value you want in each item.

### ■ Figure 2. Standard CMOS Setup Menu

ROM PCI/ISA BIOS (xxxxxxx)  
STANDARD CMOS SETUP  
AWARD SOFTWARE, INC.

Date (mm:dd:yy) : Mon, Aug 3 1998										
Time (hh:mm:ss) : 11 : 37 : 30										
HARD DISKS	TYPE	SIZE	CYLS	HEAD	PRECOMP	LANDS	SECTOR	MODE		
Primary Master	: Auto	0	0	0	0	0	0	Auto		
Primary Slave	: Auto	0	0	0	0	0	0	Auto		
Secondary Master	: Auto	0	0	0	0	0	0	Auto		
Secondary Slave	: Auto	0	0	0	0	0	0	Auto		
Drive A	:1.44MB, 3.5 in.									
Drive B	:None									
Video	:EGA/VGA									
Halt On	:All, But Keyboard									
Base Memory		:	0K							
Extended Memory		:	0K							
Other Memory		:	512K							
Total Memory		:	512K							
Esc	: Quit			↑	↓	→	←	: Select Item		
F1	: Help			(Shift) F2			: Change Color			
								PU/PD/+/-	: Modify	



## Date

The Date format is **<day><month><date><year>**.

Day	The day, from Sun to Sat, is determined by the BIOS and is display-only
Date	The date, from 1 to 31 (or the maximum allowed in the month)
month	The month, Jan through Dec
year	The year, from 1994 through 2079

## Time

The time format is **<hour><minute><second>**. The time is calculated based on the 24-hour military-time clock. For example, 2 p.m. is 14:00:00.

## Hard Disk Type

This categories identifies the types of hard disk(s) that have been installed in the computer. There are 46 predefined types and a user definable type. Type 1 to Type 45 are predefined. Type “User” is user-definable. Type “Auto” is automatically defined by BIOS.

Press **<PgUp>** or **<PgDn>** to select a numbered hard disk type or type the number and press **<Enter>**. Note that the specifications of your drive must match with the drive table. The hard disk will not work properly if you enter improper information for this category. If your hard disk drive type is not listed, you can use Type “User” to define your own drive type manually.

If you select type “User”, related information is asked to be entered for several items. Enter the information directly from the keyboard and press **<Enter>**. This information should be provided in the documentation from your hard disk vendor or the system manufacturer. Most new drives will also have the parameters given on the label on top of the drive.

<b>CYLN</b>	number of cylinders
<b>HEAD</b>	number of heads
<b>WPCOM</b>	write precompensation
<b>SEC</b>	number of sectors
<b>LBA MODE</b>	type of LBA mode
<b>BLK MODE</b>	type of Block mode
<b>PIO MODE</b>	type of PIO
<b>32BIT MODE</b>	type of 32-Bit transfer mode

If a hard disk has not been installed select "NOT Installed" and press <Enter>.

## Drive A Type/Drive B Type

The category identifies the types of floppy disk drive A / drive B that have been installed in the computer.

None	No floppy drive installed
360K, 5 1/4	5-1/4 inch PC-type standard drive; 360 kilobyte capacity
1.2M, 5 1/4	5-1/4 inch AT-type high-density drive; 1.2 megabyte capacity
720K, 3 1/2	3-1/2 inch double-sided drive; 720 kilobyte capacity
1.44M, 3 1/2	3-1/2 inch double-sided drive; 1.44 megabyte capacity
2.88M, 3 1/2	3-1/2 inch double-sided drive; 2.88 megabyte capacity

## Video

This category selects the type of adapter used for the primary system monitor, and must match your video display card and monitor. Although secondary monitors are supported, you do not have to select the type in Setup.

<b>EGA/VGA</b>	Enhanced Graphics Adapter/Video Graphics Array. For EGA, VGA, SEGA, or PGA monitor adapters.
<b>CGA 40</b>	Color Graphics Adapter, power up in 40 column mode
<b>CGA 80</b>	Color Graphics Adapter, power up in 80 column mode
<b>MONO</b>	Monochrome adapter, includes high resolution monochrome adapters

## Halt On

The category determines whether the computer will stop if an error is detected during power up.

No errors	Whenever the BIOS detects a non-fatal error the system will be stopped and you will be prompted.
All errors	The system boot will not stop for any error that may be detected.
All, But Keyboard	The system boot will not stop for a keyboard error, it will stop for all other errors.
All, But Diskette	The system boot will not stop for a disk error, it will stop for all other errors.
All, But Disk/Key	The system boot will not stop for a keyboard or disk error, it will stop for all other errors.

## Memory

This category is display-only which is determined by POST (Power On Self Test) of the BIOS.

### Base Memory

The POST of the BIOS will determine the amount of base (or conventional) memory installed in the system. The value of the base memory is typically 512K for system with 512K memory installed on the motherboard, or 640K for system with 640K or more memory installed on

the motherboard.

### Extended Memory

The BIOS determines how much extended memory is present during the POST. This is the amount of memory located above 1MB in the CPU's memory address map.

### Other Memory

This refers to the memory located in the 640K address space. This is the memory that can be used for different applications. DOS uses this area to load device drivers to keep as much base memory free application programs. The most common use for this area is Shadow RAM.

## 2.3 BIOS Features Setup

**!! WARNING !! The information about BIOS defaults in the manual (Figure 3.4.5.6.8) is just for reference, please refer to the BIOS installed on board, for update information.**

■ **Figure 3. BIOS Features Setup Menu**

ROM PCI/ISA BIOS (xxxxxxx)  
 BIOS FEATURES SETUP  
 AWARD SOFTWARE, INC.

<b>Virus Warning</b>	: Disabled	Video BIOS Shadow	: Enabled
CPU Internal Cache	: Enabled	C8000-CBFFF Shadow	: Disabled
External Cache	: Enabled	CC000-CFFFF Shadow	: Disabled
CPU L2 Cache ECC Checking	: Disabled	D0000-D3FFF Shadow	: Disabled
Quick Power On Self Test	: Enabled	D4000-D7FFF Shadow	: Disabled
Boot From LAN First	: Disabled	D8000-DBFFF Shadow	: Disabled
Boot Sequence	: A,C,SCSI	DC000-DFFFF Shadow	: Disabled
Swap Floppy Drive	: Disabled		
Boot Up Floppy Seek	: Enabled		
Boot Up NumLock Status	: On		
Gate A20 Option	: Fast		
Typematic Rate Setting	: Disabled		
Typematic Rate (Chars/Sec)	: 6		
Typematic Delay (Msec)	: 250		
Security Option	: Setup		
PCI/VGA Palette Snoop	: Disabled	ESC : Quit	↑ ↓ → ← : Select Item
OS Select For DRAM > 64MB	: Non-OS2	F1 : Help	PU/PD/+/- : Modify
Report No FDD For WIN 95	: No	F5 : Old Values	<Shift> F2 : Color
		F7 : Load Setup Defaults	

### Virus Warning

This category flashes on the screen. During and after the system boot up, any attempt to write to the boot sector or partition table of the hard disk drive will halt the system and an error message will appear. In the mean time, you can run an anti-virus program to locate the problem.

**Disabled** (default)

No warning message to appear when anything attempts to access the boot sector or hard disk partition table.

**Enabled**

Activates automatically when the system boots up causing a warning message to appear when anything attempts to access the boot sector of hard disk partition table.

### CPU Internal Cache

The default value is Enabled.

<b>Enabled</b> (default)	Enable cache
<b>Disabled</b>	Disable cache

### External Cache

Cache memory is additional memory that is much faster than conventional DRAM (system memory). Most, but not all, modern PCs have additional (external) cache memory. When the CPU requests data, the system transfers the requested data from the main DRAM into cache memory, for even faster access by the CPU.

<b>Enabled</b> (default)	Enable cache
<b>Disabled</b>	Disable cache

### CPU L2 Cache ECC Checking

Choose Enabled or Disabled. This option enables the level 2 cache memory ECC (error check correction). Using 66MHz CPU BUS Deschute processor, set to Enabled or Disabled. 100MHz CPU BUS Deschute processor, always set to Enabled. Klamath processor always set to Disabled.

### Quick Power On Self Test

This option enables the level 2 external cache memory.

<b>Enabled</b> (default)	Enable quick POST
<b>Disabled</b>	Normal POST

### Boot from LAN First

During Enabled, If there's a LAN card onboard the priority from booting will be from the LAN.

### Boot Sequence

This option determines which drive the computer searches the OS at boot-up. The settings are "A, C, SCSI", "C, A, SCSI", "C, CDROM, A", "CDROM, C, A", "D, A, SCSI", "E, A, SCSI", "F, A, SCSI", "SCSI, A, C", "SCSI, C, A" or "C only",etc. **The default is "A, C, SCSI".**

### Swap Floppy Drive

Switches the floppy disk drive between being designated as A and B. **Default is Disabled.**

### Boot Up Floppy Seek

During POST, BIOS will determine if the floppy disk drive installed is 40 or 80 tracks. 360K type is 40 tracks while 720K, 1.2M, and 1.44M are all 80 tracks.

**Enabled** (default)

BIOS searches for the floppy disk drive to determine if it is 40 or 80 tracks. Note that BIOS cannot tell from 720K, 1.2M or 1.44M drive type as they are all 80 tracks.

**Disabled**

BIOS will not search for the type of floppy disk drive by track number. Note that there will not be any warning message if the drive installed is 360K.

### Boot Up NumLock Status

The default value is On.

**On** (default)

Numpad is number keys.

**Off**

Numpad is arrow keys.

### Gate A20 Option

Gate A20 refers to the way the system addresses memory above 1MB (extended memory). When set to Fast, the system chipset controls Gate A20. When set to Normal, a pin in the keyboard controller controls Gate A20. Setting Gate A20 to Fast improves system speed, particularly with OS/2 and Windows.

**Fast** (default)



### Typematic Rate Setting

This determines the typematic rate.

<b>Enabled</b>	Enable typematic rate and typematic delay programming.
<b>Disabled</b> (default)	Disable typematic rate and typematic delay programming. The system BIOS will use default value of these 2 items and the default is controlled by keyboard.

### Typematic Rate (Chars/Sec)

6	6 characters per second
8	8 characters per second
10	10 characters per second
12	12 characters per second
15	15 characters per second
20	20 characters per second
24	24 characters per second
30	30 characters per second

### Typematic Delay (Msec)

Choose the length of delay from the time you press a key and the character repeating. (units are mil-sec)

### Security Option

This category allows you to limit access to the system and Setup, or just to Setup.

<b>System</b>	The system will not boot and access to Setup will be denied if the correct password is not entered at the prompt.
---------------	---

**Setup** (default)

The system will boot, but access to Setup will be denied if the correct password is not entered at the prompt.

**PCI / VGA Palette Snoop**

Choose Disabled or Enabled. Some graphic controllers which are not VGA compatible take the output from a VGA controller and map it to their display as a way to provide boot information and VGA compatibility.

However, the color information coming from the VGA controller is drawn from the palette table inside the VGA controller to generate the proper colors, and the graphic controller needs to know what is in the palette of the VGA controller. To do this, the non-VGA graphic controller watches for the Write access to the VGA palette and registers the snoop data. In PCI based systems, where the VGA controller is on the PCI bus and a non-VGA graphic controller is on an ISA bus, the Write Access to the palette will not show up on the ISA bus if the PCI VGA controller responds to the Write.

In this case, the PCI VGA controller should not respond to the Write, it should only snoop the data and permit the access to be forwarded to the ISA bus. The non-VGA ISA graphic controller can then snoop the data on the ISA bus. Unless you have the above situation, you should disable this option.

**Disabled** (default)

Disables the function.

**Enabled**

Enables the function.

**OS Selection for DRAM > 64MB**

Allows OS/2 to be used with > 64MB of DRAM. Settings are Non-OS/2 (default) and OS/2. Set to OS/2 if using more than 64MB and running OS/2.

**DEFAULT is Non-OS2.**

### Report No FDD for Win 95

This function is only use when you are testing SCT for Windows 95 Logo.

### Video BIOS Shadow

Determines whether video BIOS will be copied to RAM for faster execution.

<b>Enabled</b>	Optional ROM is enabled.
<b>Disabled</b> (default)	Optional ROM is disabled.

### C8000 - CFFFF Shadow / E8000 - EFFFF Shadow

Determines whether the optional ROM will be copied to RAM for faster execution.

<b>Enabled</b>	Optional ROM is shadowed.
<b>Disabled</b> (default)	Optional ROM is not shadowed.

**Note :** For C8000 - DFFFF option - ROM on PCI BIOS, BIOS will automatically enable the shadow RAM. User does not have to select the item.

## 2.4 Chipset Features Setup

The Chipset Features Setup option is used to change the values of the chipset registers. These registers control most of the system options in the computer.

■ **Figure 4. Chipset Feature Setup Menu**

ROM PCI/ISA BIOS (xxxxxxxx)  
 CHIPSET FEATURES SETUP  
 AWARD SOFTWARE, INC.

SDRAM CAS Latency Time	: 3	Onboard PCI Sound Chip	: Enabled
DRAM Data Integrity Mode	: Non-ECC		
System BIOS Cacheabled	: Enabled		
Video BIOS Cacheable	: Enabled		
Video RAM Cachable	: Disabled		
8 Bit I/O Recovery Time	: 1		
16 Bit I/O Recovery Time	: 1		
Memory Hole At 15M-16M	: Disabled		
Passive Release	: Enabled		
Delay Transaction	: Enabled		
AGP Aperture Size (MB)	: 64		
		ESC : Quit   ↑ ↓ → ← : Select Item	
		F1 : Help   PU/PD/+/- : Modify	
		F5 : Old Values <Shift> F2 : Color	
		F7 : Load Setup Defaults	

### SDRAM CAS Latency Time

You can select CAS latency time in HCLKs of 2 or 3. The system board designer should set the values in this field, depending on the DRAM installed.

**3** (default)

### DRAM Data Integrity Mode

Select Parity or ECC (error-correcting code), according to the type of installed DRAM.

**Non-ECC** (default)

### System BIOS Cacheable

When enabled, accesses to the system BIOS ROM addressed at F0000H-FFFFFH are cached, provided that the cache controller is enable.

<b>Enabled</b> (default)	BIOS access cached
<b>Disabled</b>	BIOS access not cached

### Video BIOS Cacheable

As with caching the System BIOS above, enabling the Video BIOS cache will cause access to video BIOS addressed at C0000H to C7FFFH to be cached, if the cache controller is also enabled. Data from the CPU to the PCI bus can be posted (buffered by the controller).

<b>Enabled</b> (default)	Video BIOS access cached
<b>Disabled</b>	Video BIOS access not cache

### Video RAM Cacheable

Select Enabled allows caching of video RAM, resulting in better system performance. However, if any program writes to this memory area, a system error may result.

### 8 Bit I / O Recovery Time

The recovery time is the length of time, measured in CPU clocks, which the system will delay after the completion of an input / output request. This delay takes place because the CPU is operating so much faster than the input / output bus that the CPU must be delayed to allow for the completion of the I / O.

The item allows you to determine the recovery time allowed for 8 bit I / O. Choices are from NA, 1 to 8 CPU clocks.

1(default)

### 16 Bit I / O Recovery Time

This item allows you to determine the recovery time allowed for 16 bit I/O. Choices are from NA, 1 to 4 CPU clocks.

1 (default)

### Memory Hole At 15M-16M

You can reserve this area of system memory for ISA adapter ROM. When this area is reserved, it cannot be cached. The user information of peripherals that need to use this area of system memory usually discusses

their memory requirements.

**Disabled** (default)

### Passive Release

When Enabled, CPU to PCI bus accesses is allowed during passive release. Otherwise, the arbiter only accepts another PCI master access to local DRAM.

**Enabled** (default)

### Delayed Transaction

The chipset has an embedded 32-bit posted write buffer to support delay transactions cycles. Select Enabled to support compliance with PCI specification version 2.1.

**Enabled** (default)

### AGP Aperture Size (MB)

Select the size of the Accelerated Graphics Port (AGP) aperture. The aperture is a portion of the PCI memory address range dedicated for graphics memory address space. Host cycles that hit the aperture range are forwarded to the AGP without any translation.

**64** (default)

### Onboard PCI Sound Chip

**Enabled**





## 2.5 Power Management Setup

■ Figure 5. Power Management Setup Menu

ROM PCI/ISA BIOS (xxxxxxxx)  
POWER MANAGEMENT SETUP  
AWARD SOFTWARE, INC.

<b>Power Management</b> : Disabled	** Reload Global Timer Events **
PM Control by APM : Yes	IRQ [3-7 , 9-15] , NMI : Enabled
Video Off Method : DPMS	Primary IDE 0 : Enabled
Video Off After : Standby	Primary IDE 1 : Enabled
MODEM Use IRQ : NA	Secondary IDE 0 : Disabled
	Secondary IDE 1 : Disabled
Doze Mode : Disabled	Floppy Disk : Enabled
Standby Mode : Disabled	Serial Port : Enabled
Suspend Mode : Disabled	Parallel Port : Enabled
HDD Power Down : Disabled	
Throttle Duty Cycle : 62.5 %	
VGA Active Monitor : Disabled	
Soft-Off by PWR-BTTN : Instant - Off	
CPUFAN off In Suspend : Enabled	
Power on by Ring : Disabled	
Wake on LAN : Disabled	
IRQ 8 Break Suspend : Disabled	
	ESC : Quit      ↑ ↓ → ← : Select Item
	F1 : Help      PU/PD/+/- : Modify
	F5 : Old Values    <Shift> F2 : Color
	F7 : Load Setup Defaults

### Power Management

<b>Disable</b> (Min. Saving)	Global Power Management will be disabled.
<b>User Define</b> (Max. Saving)	Users can configure their own power management.
Min Saving	Pre-defined timer values are used such

Max Saving

that all timers are at their MAX value.  
Pre-defined timer values are used such  
that all timers are at their MIN value.

### PM Control by APM

**No**

System BIOS will ignore APM when  
Power Management is on.

**Yes**

System BIOS will wait for APM's  
prompt before it enters any PM mode.

### Video Off Method

**Blank Screen**

The system BIOS will only blank the  
screen when disabling video.

**V/HSYNC+Blank**

In addition to the above, BIOS will  
also turn off the V-SYNC & H-SYNC  
signals from VGA card to monitor.

**DPMS**

This function is enabled only for a  
VGA card supporting DPMS.

### Video Off After

As the system moves from lesser to greater power-saving modes, select  
the mode in which you want the monitor to blank:

**Standby** (default)

### MODEM Use IRQ

Set the interrupt request (IRQ) line assigned to the modem (if any) on  
your system. Activity of the selected IRQ always awakens the system.

**3** (default)

### Doze Mode

This option specifies how long the CPU is continuously idle before  
entering the doze mode. When the system is in Doze mode, the screen  
will be blank.

### Standby Mode

After selected period of system inactivity, the fixed disk drive and video shut-off while all other devices still operate at full speed.

**Disabled** (default)

### Suspend Mode

This options allows the user to indicate how long the system will be idle before entering the suspend mode, which turns off the CPU and saves the energy of the system

### HDD Power Down

After the selected period of drive inactivity, the hard disk drive powers down while all other devices remain active.

**Disabled** (default)

### Throttle Duty Cycle

When the system enters Doze mode, the CPU clock runs only part of the time. You may select the percent of time that the clock runs.

**62.5 %** (default)

### VGA Active Monitor

When enabled, any video activity restarts the global timer for Standby mode.

**Disabled** (default)

### Soft-Off by PWR-BTTN

This item allows you to set the off function of power button by software control.

**Instant-Off** (default)

### CPUFAN off In Suspend

When system in suspend mode, the CPUFAN will turn off.

### PWR On by Ring

An input signal on the serial Ring Indicator (RI) line (in other words, an incoming call on the modem) awakens the system from a soft off state.

**Disabled** (default)

### Wake up on LAN

To use this function, you need a LAN add-on card which support power on functions. It should also support the wake-up on LAN jumper.

**Disabled** (default)    Wake up on LAN not supported.

### IRQ 8 Break Suspend

You can turn On or Off monitoring of IRQ 8 (the Real Time Clock ) so it does not awaken the system from Suspend mode.

**Disabled** (default)

**IRQ [3-7,9-15],NMI**

The default value is “Legacy ISA” OR “PCI/ISA PnP”.

**Enabled** (default)

**Primary IDE 0**

The default value is Disabled.

**Enabled** (default)      Enable monitor Primary IDE 0/1 for Green event/  
**Disabled**                      Disable this function.

**Secondary IDE 0**

The default value is Disabled.

**Enabled**                      Enable monitor Secondary IDE 0/1 for Green event.  
**Disabled** (default)      Disable this function.

**Floppy Disk**

The default value is Enabled.

**Enabled** (default)      Enable monitor Floppy Disk for Green event.  
**Disabled**                      Disable this function.

**Serial Port**

The default value is Enabled.

**Enabled** (default) Enable monitor Serial Port FOR Green event.  
**Disabled** Disable this function.

### Parallel port

The default value is Disabled.

**Enabled** (default) Enable monitor Parallel Port for Green event.  
**Disabled** Disable this function.

## 2.6 PNP / PCI Configuration Setup

■ Figure 6. PNP / PCI Configuration Setup Menu

ROM PCI/ISA BIOS (xxxxxxx)  
 PNP / PCI FUNCTION SETUP  
 AWARD SOFTWARE, INC.

<b>PNP OS Installed</b> : No	Assign IRQ for VGA : Enabled
Resources Controlled BY : Manual	Assign IRQ for USB : Enabled
Reset Configuration Data : Disabled	
IRQ-3 assigned to : PCI / ISA PnP	
IRQ-4 assigned to : PCI / ISA PnP	
IRQ-5 assigned to : PCI / ISA PnP	
IRQ-7 assigned to : PCI / ISA PnP	
IRQ-9 assigned to : PCI / ISA PnP	
IRQ-10 assigned to : PCI / ISA PnP	
IRQ-11 assigned to : PCI / ISA PnP	
IRQ-12 assigned to : PCI / ISA PnP	
IRQ-14 assigned to : PCI / ISA PnP	
IRQ-15 assigned to : PCI / ISA PnP	
DMA-0 assigned to : PCI / ISA PnP	
DMA-1 assigned to : PCI / ISA PnP	
DMA-3 assigned to : PCI / ISA PnP	
DMA-5 assigned to : PCI / ISA PnP	
DMA-6 assigned to : PCI / ISA PnP	
	ESC : Quit    ↑↓→← : Select Item
	F1 : Help      PU/PD/+/- : Modify
	F5 : Old Values    <Shift> F2 : Color
	F7 : Load Setup Defaults

DMA-7 assigned to : PCI / ISA PnP
-----------------------------------

### PnP OS Installed

When set to YES, BIOS will only initialize the PnP cards used for booting (VGA, IDE, SCSI). The rest of the cards will be initialized by the PnP operating system like Windows<sup>TM</sup>95. When set to NO, BIOS will initialize all the PnP cards. Therefore for non-PnP operating system (DOS, Netware<sup>TM</sup>), this option must set to “NO”.

### Resources Controlled By “Auto” or “Manual”

By Choosing “Auto” the system BIOS will detect the system resource and automatically assign the relative IRQ and DMA channel for each peripheral.

By Choosing “Manual”(default), the user will need to assign IRQ & DMA for add-on cards. Be sure that there are no IRQ/DMA and I/O ports conflict.

### Resources Configuration Data

The system BIOS supports the PnP feature so the system needs to record which resource is assigned and protect resources from conflict. Every peripheral device has a node which is called ESCD. This node records which resources are assigned to it. The system needs to record and update ESCD to the memory locations. These locations (4K) are reserved at the system BIOS.

If Disabled (default) is chosen, the system’s ESCD will update only when the new configuration varies from the last one.

If Enabled is chosen, the system is forced to update ESCDs and then is automatically set to the “Disabled” mode.



IRQ-3	assigned to : PCI / ISA PnP
IRQ-4	assigned to : PCI / ISA PnP
IRQ-5	assigned to : PCI / ISA PnP
IRQ-7	assigned to : PCI / ISA PnP
IRQ-9	assigned to : PCI / ISA PnP
IRQ-10	assigned to : PCI / ISA PnP
IRQ-11	assigned to : PCI / ISA PnP
IRQ-12	assigned to : PCI / ISA PnP
IRQ-14	assigned to : PCI / ISA PnP
IRQ-15	assigned to : PCI / ISA PnP
DMA-0	assigned to : PCI / ISA PnP
DMA-1	assigned to : PCI / ISA PnP
DMA-3	assigned to : PCI / ISA PnP
DMA-5	assigned to : PCI / ISA PnP
DMA-6	assigned to : PCI / ISA PnP
DMA-7	assigned to : PCI / ISA PnP

The above settings will be shown on the screen only if “Manual” is chosen for the Resources Controlled By function.

Legacy is the term which signifies that a resource is assigned to the ISA Bus and provides for non PnP ISA add-on cards. PCI / ISA PnP signifies that a resource is assigned to the PCI Bus or provides for ISA PnP add-on cards and peripherals.

### Assign IRQ For VGA

Lets the user choose which IRQ to assign for VGA card.

### Assign IRQ For USB

Set to Enabled when USB port will be used. Set to Disable if the USB port will not be used.

**Enabled**      Assign a specific IRQ for USB.

**Disabled**      No IRQ is assigned for USB.

## 2.7 Load Setup Defaults

Chipset defaults indicate the values required by the system for maximum performance.

### ■ Figure 7. Load Setup Defaults Screen

ROM PCI/ISA BIOS (xxxxxxx)  
CMOS SETUP UTILITY  
AWARD SOFTWARE, INC.

STANDARD CMOS SETUP	INTEGRATED PERIPHERALS
BIOS FEATURES SETUP	SUPERVISOR PASSWORD
CHIPSET FEATURES SETUP	USER PASSWORD
POWER MANAGEMENT SETUP	IDE HDD AUTO DETECTION
PCI & PCI CONF	SETUP
LOAD SETUP DE	SAVING
<b>Load SETUP Defaults (Y/N) ? N</b>	
Esc : Quit	↑ ↓ → ← : Select Item
F10 : Save & Exit Setup	(Shift) F2 : Change Color
Load SETUP Defaults except Standard CMOS SETUP	

If you wish to load the SETUP Defaults, change the prompt to <Y> and press <ENTER>.

## 2.8 Integrated Peripherals Setup

### ■ Figure 8. Integrated Peripherals Setup Menu

ROM PCI/ISA BIOS (xxxxxxx)  
 INTEGRATED PERIPHERALS  
 AWARD SOFTWARE, INC.

<b>IDE HDD Block Mode</b>	: Enabled	Parallel Port Mode	: SPP
IDE Primary Master PIO	: Auto		
IDE Primary Slave PIO	: Auto		
IDE Secondary Master PIO	: Auto		
IDE Secondary Slave PIO	: Auto		
IDE Primary Master UDMA	: Auto		
IDE Primary Slave UDMA	: Auto		
IDE Secondary Master UDMA	: Auto		
IDE Secondary Slave UDAM	: Auto		
On-Chip Primary PCI IDE	: Enabled		
On-Chip Secondary PCI IDE	: Enabled		
USB Keyboard Support	: Disabled		
Onboard FDC Controller	: Enabled		
Onboard Serial Port 1	: 3F8/IRQ4		
Onboard Serial Port 2	: 2F8/IRQ3		
UART2 Mode	: Standard		
Onboard Parallel Port	: 378/IRQ7		
		ESC : Quit	↑ ↓ → ← : Select Item
		F1 : Help	PU/PD/+/- : Modify
		F5 : Old Values	<Shift> F2 : Color
		F7 : Load Setup Defaults	

### IDE HDD Block Mode

Block mode is also called block transfer, multiple commands, or multiple sector read/write. If your IDE hard drive supports block mode (most new drives do), select Enabled for automatic detection of the optimal number of block read/write per sector the drive can support.

**Enabled** (default)

IDE Primary / Secondary Master / Slave PIO

The IDE PIO (Programmed Input / Output) fields let you set a PIO mode (0-4) for each of the IDE devices that the onboard IDE interface supports. Modes 0 through 4 provide successively increased performance. In Auto mode, the system automatically determines the best mode for each device.

**Auto** (default)

IDE Primary / Secondary Master / Slave UDMA

Ultra DMA /33 implementation is possible only if your IDE hard drive supports it and the operating environment includes a DMA driver (Windows 95 OSR2 or a third party IDE bus master driver). If your hard drive and your system software both support Ultra DMA/33, select Auto to enable BIOS support.

**Auto** (default)

On-Chip Primary IDE / Secondary PCI IDE

The integrated peripheral controller contains an IDE interface with support for two IDE channels. Select Enabled to activate each channel separately.

**Enabled** (default)

USB Keyboard Support

Select Enabled if your system contains a Universal Serial Bus (USB) controller and you have a USB keyboard.

**Disabled** (default)

### Onboard FDC Controller

**Enabled / Disabled** The system has an onboard Super I/O chip with a FDD controller that supports 2 FDDs for 360K / 720K / 1.2M / 1.44M / 2.8M. Choose “Enabled” to use the onboard FDD controller for accessing the FDD. Otherwise choose “Disabled” to use the off-board FDD controller.

### Onboard Serial Port 1

**Disabled / (3F8 / IRQ4) / (2F8 / IRQ3) / (3E8 / IRQ4) / (2E8 / IRQ3)**

### Onboard Serial Port 2

**Disabled / (3F8 / IRQ4) / (2F8 / IRQ3) / (3E8 / IRQ4) / (2E8 / IRQ3)**

The system has an Onboard Super I/O chipset with 2 serial ports.  
The Onboard serial ports can be selected as:

**Disabled**

3F8 / IRQ4	COM1 uses IRQ4
2F8 / IRQ3	COM2 uses IRQ3
3F8 / IRQ4	COM3 uses IRQ4
2F8 / IRQ3	COM4 uses IRQ3

### UART2 Mode

This item allow you to determine which Infra Red(IR) function of onboard I/O chip.

### Onboard Parallel Port

**Disabled** there is a built-in parallel port on the on-board Super I/O  
**(3BCH/IRQ7)** Chipset that provides Standard, ESP, and EPP features.

**(278H/IRQ5)** It has the following options:

**Disable**

3BCH/IRQ7	Line Printer port 0
278H/IRQ5	Line Printer port 2
378H/IRQ5	Line Printer port 1

### Parallel Port Mode

SPP : Standard Parallel Port

EPP : Enhanced Parallel Port

ECP : Extended Capability Port

To operate the onboard parallel port as Standard Parallel Port only, choose "SPP." To operate the onboard parallel port in the ECP and SPP modes simultaneously, choose "ECP/SPP." By choosing "ECP" the onboard parallel port will operate in ECP mode only. Choosing "ECP/EPP" will allow the onboard parallel port to support both the ECP and EPP modes simultaneously. The ECP mode has to use a DMA channel so choose the onboard parallel port with the ECP feature. After selecting it the following message will appear: "ECP Mode Use DMA". At this time the user can choose between DMA channels 3 or 1. The onboard parallel port is EPP Spec. Compliant so after the user chooses the onboard parallel port with the EPP function, the following message will be displayed on the screen: "Parallel port EPP Type." At this time either EPP 1.7 spec. Or EPP 1.9 spec. Can Be chosen.

## 2.9 Supervisor / User Password Setting

### ■ Figure 9. Supervisor Password Setting

ROM PCI/ISA BIOS (xxxxxxx)  
CMOS SETUP UTILITY  
AWARD SOFTWARE, INC.

STANDARD CMOS SETUP	INTEGRATED PERIPHERALS
BIOS FEATURES SETUP	SUPERVISOR PASSWORD
CHIPSET FEATURES SETUP	USER PASSWORD
POWER MANAGEMENT SETUP	IDE HDD AUTO DETECTION
PNP / PCI CONFIGURATION	SAVE & EXIT SETUP
LOAD SETUP DEFAULTS	SAVING
<b>Enter Password :</b> <input type="text"/>	
Esc : Quit	↑ ↓ → ← : Select Item
F10 : Save & Exit Setup	(Shift) F2 : Change Color
Change / SCT / Disable Password	

When you select this function, the following message will appear at the center of the screen to assist you in creating a password.

#### ENTER PASSWORD

Type the password, up to eight characters, and press <Enter>. The password you type now will clear any previously entered password from



CMOS memory. You will be asked to confirm the password. Type the password again and press <Enter>. You may also press <ESC> to abort the selection and not enter a password. To disable password, just press <Enter> when you are prompted to enter password. A message will confirm that you wish to disable the password. Once the password is disabled, the system will boot and you can enter setup freely.

#### **PASSWORD DISABLED**

If you select “System” at the Security Option of BIOS Features Setup Menu, you will be prompted for the password every time the system is rebooted or any time you try to enter Setup. If you select “Setup” at Security Option of BIOS Feature Setup Menu, you will be prompted only when you try to enter Setup.

## 2.10 IDE HDD Auto Detection

Automatically configure hard disk parameters. The parameters shown below are only examples.

■ **Figure 10. Auto Configuration with Optimal Settings Screen**

ROM PCI/ISA BIOS (xxxxxxx)  
CMOS SETUP UTILITY  
AWARD SOFTWARE, INC.

HARD DISKS	TYPE	SIZE	CYLS	HEAD	PRECOMP	LAND	SECTOR	MODE
Primary Master	:User	343	665	16	65535	664	63	NORMAL

Select Primary Slave Option (N=Skip) N							
OPTIONS	SIZE	CYLS	HEAD	PRECOMP	LANDZ	SECTOR	MODE
1(Y)	0	0	0	0	0	0	NORMAL

Note : Some Oses (like SCO-UNIX) must use "NORMAL" for installation

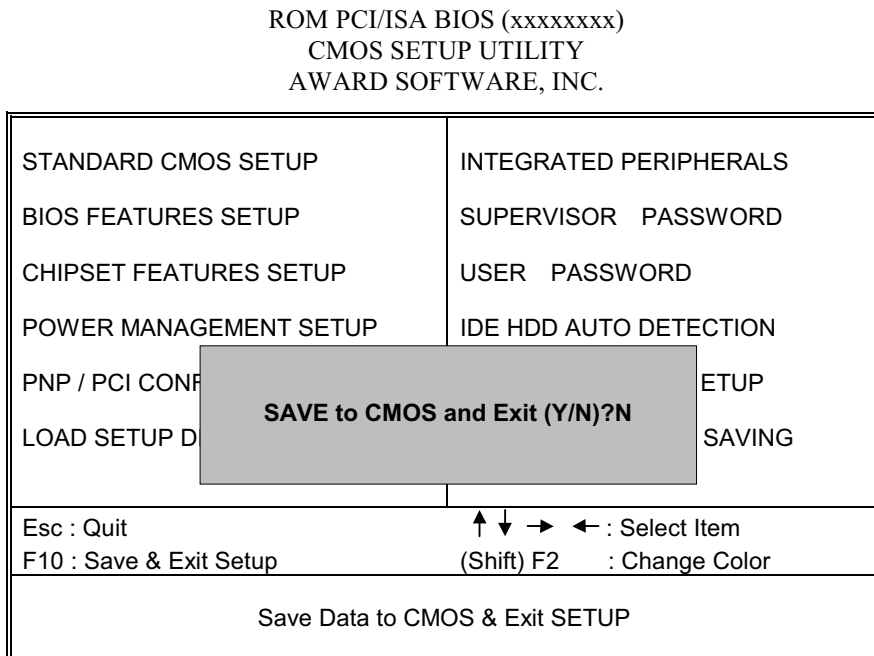
ESC : Skip

When you enter this utility, the screen asks you to select a specific hard disk for Primary Master. If you accept a hard disk detected by the BIOS, you can enter "Y" to confirm and then press <Enter> to check next hard disk. This function allows you to check four hard disks and you may press the <Esc> after the <Enter> to exit this function and go back to the Main Menu.

## 2.11 Save & Exit Setup

Save CMOS value changes to CMOS and exit setup.

■ **Figure 11. Save & Exit Setup Screen**



Pressing <N> and <ENTER> will return you to the Main Menu.

Pressing <Y> and <ENTER> will save the system parameters and continue with the booting process.

## 2.12 Exit Without Saving

Abandon all CMOS value changes and exit setup.

■ **Figure 12. The Save Settings and Exit Screen**

ROM PCI/ISA BIOS (xxxxxxx)  
CMOS SETUP UTILITY  
AWARD SOFTWARE, INC.

STANDARD CMOS SETUP	INTEGRATED PERIPHERALS
BIOS FEATURES SETUP	SUPERVISOR PASSWORD
CHIPSET FEATURES SETUP	USER PASSWORD
POWER MANAGEMENT SETUP	IDE HDD AUTO DETECTION
PNP / PCI CONF	TUP
LOAD SETUP DE	AVING
<b>Quit Without Saving (Y/N)?N</b>	
Esc : Quit	↑ ↓ → ← : Select Item
F10 : Save & Exit Setup	(Shift) F2 : Change Color
Abandon All Data & Exit SETUP	

Pressing <N> and <ENTER> will return you to the Main Menu.

Pressing <Y> and <ENTER> will continue with booting process without saving any system parameters.

## 2.13 Application Software

- Please use the "BIOS Utility" diskette to setup Flash Memory.
- The diskette contains the intelligent installation utility **AWDFLASH.EXE**, displayed below.

■ **Figure 13. Flash Memory Writer**

FLASH MEMORY WRITER Vxx	
Copyright (C) 1992-1994 Award Software, Inc.,	
For xx-xxxxxxxxxxxxxxxxxxx	DATE: xx/xx/xxxx
Flash Type -	
File Name to Program:	<input type="text"/>
Error Message :	Do You Want To Save Bios (Y/N)?

## 3. Trouble Shooting

### **PROBLEM**

No power to the system at all. Power light does not illuminate, fan inside power supply does not turn on. Indicator light on keyboard does not turn on.

<b>PROBABLE CAUSE</b>	<b>DIAGNOSIS</b>	<b>SOLUTION</b>
Power cable is unplugged.	Visually inspect power cable	Make sure power cable is securely plugged in
Defective power cable.	Visual inspection, try another cable.	Replace cable.
Power supply failure.	Power cable and wall socket are OK, but system is still dead.	Contact technical support.
Faulty wall outlet; circuit breaker or fuse blown.	Plug in device known to work in socket and test	Use different socket, repair outlet, reset circuit breaker or replace fuse.

**PROBLEM**

System inoperative. Keyboard lights are on, power indicator lights are lit, hard drive is spinning.

<b>PROBABLE CAUSE</b>	<b>DIAGNOSIS</b>	<b>SOLUTION</b>
Expansion card is partially dislodged from expansion slot on the motherboard.	Turn off computer. Take cover off system unit. Check all expansion cards to ensure they are securely seated in slots.	Using even pressure on both ends of the expansion card, press down firmly on expansion card.
Defective floppy disk drive or tape drive.	Turn system off. Disconnect the cables from one of the floppy drives. Turn on the floppy drives. Turn on the system, check to see if the keyboard operates normally. Repeat until you have located defective unit.	Contact Technical Support.
Defective expansion card.	Turn computer off. Remove an expansion card	Make sure expansion card is secure in expansion socket.

**PROBLEM**

System does not boot from hard disk drive, can be booted from floppy disk drive.

<b>PROBABLE CAUSE</b>	<b>DIAGNOSIS</b>	<b>SOLUTION</b>
Connector between hard drive and system board unplugged.	When attempting to run the FDISK utility described in the HARD DISK section of this manual you get a message, INVALID DRIVE SPECIFICATION.	Check cable running from disk to disk controller board. Make sure both ends are securely plugged in; check the drive type in the Standard CMOS Setup (see HARD DISK section of this manual).
Damaged Hard Disk or Disk Controller.	Format hard disk; if unable to do so the hard disk may be defective.	Contact Technical Support.
Hard Disk directory or FAT is scrambled.	Run the FDISK program, format the hard drive (see HARD DRIVE section of manual). Copy data that was backed up onto Hard Drive.	Backing up the hard drive is extremely important. All Hard Disk are capable of breaking down at any time.



**PROBLEM**

System only boots from floppy Disk. Hard disk can be read and applications can be used but booting from Hard Disk is impossible.

<b>PROBABLE CAUSE</b>	<b>DIAGNOSIS</b>	<b>SOLUTION</b>
Hard Disk boot program has been destroyed.	A number of causes could be behind this.	Back up data and applications files. Reformat the Hard Drive as described in the Hard Drive section of this manual. Re-install applications and data using backup disks.

**PROBLEM**

Error message reading "SECTOR NOT FOUND" or other error messages not allowing certain data to be retrieved.

<b>PROBABLE CAUSE</b>	<b>DIAGNOSIS</b>	<b>SOLUTION</b>
A number of causes could be behind this.	Use a file by file backup instead of an image backup in order to backup the Hard Disk.	Back up any salvageable data. Then low level format, partition, and high level format the hard drive (see Hard Disk section of this manual for instructions). Re-install all saved data when completed.

**PROBLEM**

Disk formatted on IBM PS/2 will not operate with this system.

<b>PROBABLE CAUSE</b>	<b>DIAGNOSIS</b>	<b>SOLUTION</b>
The IBM PS/2 uses a different format than other computers.	IBM PS/2 disk format will not work in an AT type computer.	Format disk in the AT type computer insert disk into the IBM PS/2 and copy the files you wish.

**PROBLEM**

After installing an expansion card (network card, tape drive card, etc.) the system no longer works properly.

<b>PROBABLE CAUSE</b>	<b>DIAGNOSIS</b>	<b>SOLUTION</b>
No power to monitor.	All or part of the system may be inoperable. The new card may work but a mouse or COM port may not work	Change the interrupt or RAM address on the new expansion card. See the documentation that came with the new card in order to change pin settings. Many expansion devices come with proprietary software that will assist you in doing this.

**PROBLEM**

Screen message says “Invalid Configuration” or “CMOS Failure.”

<b>PROBABLE CAUSE</b>	<b>DIAGNOSIS</b>	<b>SOLUTION</b>
Incorrect information entered into the configuration (setup) program.	Check the configuration program. Replace any incorrect information.	Review system's equipment . Make sure correct information is in setup.

**PROBLEM**

Screen is blank.

<b>PROBABLE CAUSE</b>	<b>DIAGNOSIS</b>	<b>SOLUTION</b>
No power to monitor.		Check the power connectors to monitor and to system. Make sure monitor is connected to display card, change I/O address on network card if applicable
Monitor not connected to computer.		See instructions above.
Network card I/O address conflict.		See instructions above.

**PROBLEM**

<b>PROBABLE CAUSE</b>	<b>DIAGNOSIS</b>	<b>SOLUTION</b>
Memory problem, display card jumpers not set correctly.		Reboot computer. Reinstall memory, make sure that all memory modules are installed in correct sockets. Check jumper and switch settings on display card. See display card section for information on settings.
Computer virus.		Use anti-virus programs (McAfee, E-Prot, etc) to detect and clean viruses.

**PROBLEM**

Screen goes blank periodically.

<b>PROBABLE CAUSE</b>	<b>DIAGNOSIS</b>	<b>SOLUTION</b>
Screen saver is enabled.		Disable screen saver.

**PROBLEM**

Keyboard failure.

<b>PROBABLE CAUSE</b>	<b>DIAGNOSIS</b>	<b>SOLUTION</b>
Keyboard is disconnected.		Reconnect keyboard. Check keys again, if no improvement replace keyboard.

**PROBLEM**

No color on screen.

<b>PROBABLE CAUSE</b>	<b>DIAGNOSIS</b>	<b>SOLUTION</b>
Faulty Monitor.		If possible, connect monitor to another system. If no color replace monitor.
CMOS incorrectly set up.		Call technical support.

**PROBLEM**

Floppy drive light stays on.

<b>PROBABLE CAUSE</b>	<b>DIAGNOSIS</b>	<b>SOLUTION</b>
Floppy Drive cable not connected correctly.		Reconnect floppy cable making sure PIN1 on the Floppy Drive corresponds with PIN1 on Floppy cable connector.

**PROBLEM**

Error reading drive A:

<b>PROBABLE CAUSE</b>	<b>DIAGNOSIS</b>	<b>SOLUTION</b>
Bad floppy disk.		Try new floppy disk
Floppy disk not formatted		Format floppy disk (type FORMAT A:type ENTER)>

**PROBLEM**

C: drive failure.

<b>PROBABLE CAUSE</b>	<b>DIAGNOSIS</b>	<b>SOLUTION</b>
SETUP program does not have correct information.		Boot from drive A: using DOS system disk. Input correct information to SETUP program.
Hard Drive cable not connected properly.		Check Hard Drive cable.

**PROBLEM**

Cannot boot system after installing second hard drive.

<b>PROBABLE CAUSE</b>	<b>DIAGNOSIS</b>	<b>SOLUTION</b>
Master/Slave jumpers not set correctly.		Set Master/Slave jumpers correctly.
Hard Drives not compatible / different manufacturers.		Run SETUP program and select correct drive types. Call Drive manufacturers for compatibility with other drives.

**PROBLEM**

Missing operating system on hard drive.

<b>PROBABLE CAUSE</b>	<b>DIAGNOSIS</b>	<b>SOLUTION</b>
CMOS setup has been changed.		Run setup and select correct drive type.

**PROBLEM**

Certain keys do not function.

<b>PROBABLE CAUSE</b>	<b>DIAGNOSIS</b>	<b>SOLUTION</b>
Keys jammed or defective.		Replace keyboard.

**PROBLEM**

Keyboard is locked, no keys function.

<b>PROBABLE CAUSE</b>	<b>DIAGNOSIS</b>	<b>SOLUTION</b>
Keyboard is locked.		Unlock keyboard



10/30/1998  
MADE IN TAIWAN  
R.O.C