

VIA VPX MAINBOARD USER'S MANUAL

FEATURES OF THE MAINBOARD

⌘ Chipset

VIA VT82C585VPX, VT82C586A
(or VT82C586B), VT82C587VP & SMC 669.

⌘ CPU

Intel: P54C / P54CS / P55C
90 / 100 / 120 / 133 / 150 / 166
/ 200 / 233 MHz .

Cyrix: 6x86 and 6x86L - P150+ /166+ /200+.
6x86MX-PR166 /200 /233, MII-300.

IBM: 6x86 and 6x86L – P150+ /166+ /200+.
6x86MX-PR166 /200 /233 /300.

AMD: K5-PR90 /100 /120 /133 /150 /166.
K6 /PR2-166 /200 / 233 / 266 / 300.

IDT: C6-180 / 200 / 225 / 240.

⌘ CPU VCC(Switching Regulator Support)

(1) CPU I/O Voltage: +3.3V, +3.5V DC.
(dual voltage CPU uses only 3.5V)

(2) CPU Core Voltage: +1.3 V ~ +3.5V DC

⌘ System Clock

60 / 66.6 / 75 MHz adjustable.

⌘ Memory

DRAM: Two DIMM and two SIMM sockets.,
Memory addressing from 4MB up to 512 MB.
Supports fast page mode (FPM), Extended
Data Out (EDO) and SDRAM memory
*(please don't install SIMM and DIMM on the
board at the same time.)*

SRAM: 512KB pipelined burst SRAM onboard.

⌘ BIOS

AWARD System BIOS. 128KB x 8 Flash ROM

⌘ Expansion Slots (non-share)

32-bit PCI Slots x 3

16-bit ISA Slots x 3

⌘ IDE Ports

Two IDE ports built onboard which supports
the "Ultra DMA/33" IDE HDD

⌘ Super I/O Ports

Two high speed serial ports (UARTs).

One parallel port.supports SPP/EPP/ECP modes

One Floppy Disk Control port.

⌘ IR Port

One HPSIR and ASKIR compatible IR port.

⌘ Mouse and Keyboard

PS/2 Mouse connector,

AT Keyboard connector

Optional PS/2 Keyboard connector

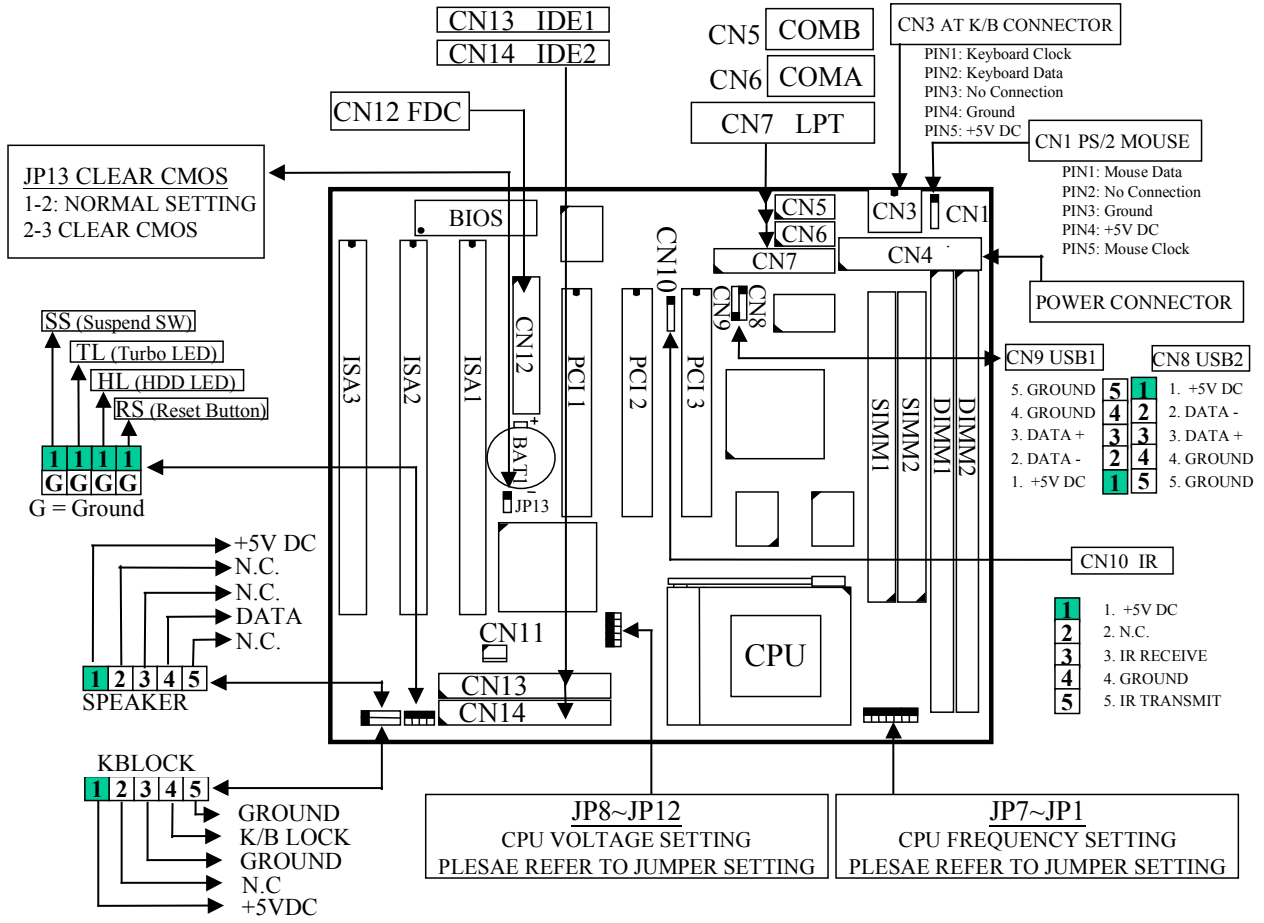
⌘ USB Ports

Two Universal Serial Bus (USB) ports.

⌘ Dimension

4-layers PCB, 220mm x 200mm.

MAINBOARD LAYOUT



JUMPER SETTING FOR CPU VOLTAGE AND FREQUENCY

CPU TYPE	JP1 ~ JP7	JP8 ~ JP12	CPU TYPE	JP1 ~ JP7	JP8 ~ JP12	CPU TYPE	JP1 ~ JP7	JP8 ~ JP12
AMD K5-PR90 K5-PR120	60MHz x 1.5 1 2 JP1 JP2 JP3 JP4 JP5 JP6 JP7	V _{CO} RE = 3.5V V _{IO} = 3.5V JP8 JP9 JP10 JP11 JP12	AMD K5-PR100 K5-PR133	66MHz x 1.5 1 2 JP1 JP2 JP3 JP4 JP5 JP6 JP7	V _{CO} RE=3.5V V _{IO} = 3.5V JP8 JP9 JP10 JP11 JP12	AMD K5-PR150	60MHz x 2.5 1 2 JP1 JP2 JP3 JP4 JP5 JP6 JP7	V _{CO} RE = 3.5V V _{IO} = 3.5V JP8 JP9 JP10 JP11 JP12
AMD K5-PR166	66MHz x 2.5 1 2 JP1 JP2 JP3 JP4 JP5 JP6 JP7	V _{CO} RE = 3.5V V _{IO} = 3.5V JP8 JP9 JP10 JP11 JP12	AMD K6 / PR2 -166	66MHz x 2.5 1 2 JP1 JP2 JP3 JP4 JP5 JP6 JP7	V _{CO} RE=2.9V V _{IO} = 3.5V JP8 JP9 JP10 JP11 JP12	AMD K6 / PR2 -200	66MHz x 3 1 2 JP1 JP2 JP3 JP4 JP5 JP6 JP7	V _{CO} RE = 2.9V V _{IO} = 3.5V JP8 JP9 JP10 JP11 JP12
AMD K6-233	66MHz x 3.5 1 2 JP1 JP2 JP3 JP4 JP5 JP6 JP7	V _{CO} RE = 3.2V V _{IO} = 3.5V JP8 JP9 JP10 JP11 JP12	AMD K6 / 266	66MHz x 4 1 2 JP1 JP2 JP3 JP4 JP5 JP6 JP7	V _{CO} RE=2.2V V _{IO} = 3.5V JP8 JP9 JP10 JP11 JP12	AMD K6 / 300	66MHz x 4.5 1 2 JP1 JP2 JP3 JP4 JP5 JP6 JP7	V _{CO} RE = 2.2V V _{IO} = 3.5V JP8 JP9 JP10 JP11 JP12
Cyrix / IBM 6x86 -P166+	66MHz x 2 1 2 JP1 JP2 JP3 JP4 JP5 JP6 JP7	V _{CO} RE = 3.5V V _{IO} = 3.5V JP8 JP9 JP10 JP11 JP12	Cyrix / IBM 6x86L -P166+	66MHz x 2 1 2 JP1 JP2 JP3 JP4 JP5 JP6 JP7	V _{CO} RE=2.8V V _{IO} = 3.5V JP8 JP9 JP10 JP11 JP12	Cyrix / IBM 6x86 -P200+	75MHz x 2 1 2 JP1 JP2 JP3 JP4 JP5 JP6 JP7	V _{CO} RE = 3.5V V _{IO} = 3.5V JP8 JP9 JP10 JP11 JP12
Cyrix / IBM 6x86L -P200+	75MHz x 2 1 2 JP1 JP2 JP3 JP4 JP5 JP6 JP7	V _{CO} RE = 2.8V V _{IO} = 3.5V JP8 JP9 JP10 JP11 JP12	Cyrix / IBM 6x86MX -PR166	66MHz x 2 1 2 JP1 JP2 JP3 JP4 JP5 JP6 JP7	V _{CO} RE=2.9V V _{IO} = 3.5V JP8 JP9 JP10 JP11 JP12	Cyrix / IBM 6x86MX -PR200 (75MHz Bus)	75MHz x 2 1 2 JP1 JP2 JP3 JP4 JP5 JP6 JP7	V _{CO} RE = 2.9V V _{IO} = 3.5V JP8 JP9 JP10 JP11 JP12
Cyrix / IBM 6x86MX -PR200 (66MHz Bus)	66MHz x 2.5 1 2 JP1 JP2 JP3 JP4 JP5 JP6 JP7	V _{CO} RE = 2.9V V _{IO} = 3.5V JP8 JP9 JP10 JP11 JP12	Cyrix / IBM 6x86MX -PR233 (75MHz Bus)	75MHz x 2.5 1 2 JP1 JP2 JP3 JP4 JP5 JP6 JP7	V _{CO} RE=2.9V V _{IO} = 3.5V JP8 JP9 JP10 JP11 JP12	Cyrix / IBM 6x86MX -PR233 (66MHz Bus)	66MHz x 3 1 2 JP1 JP2 JP3 JP4 JP5 JP6 JP7	V _{CO} RE = 2.9V V _{IO} = 3.5V JP8 JP9 JP10 JP11 JP12
Cyrix MI1-300 / IBM 6x86MX -PR300 (66MHz Bus)	66MHz x 3.5 1 2 JP1 JP2 JP3 JP4 JP5 JP6 JP7	V _{CO} RE = 2.9V V _{IO} = 3.5V JP8 JP9 JP10 JP11 JP12	Cyrix MI1-300 / IBM 6x86MX -PR300 (75MHz Bus)	75MHz x 3 1 2 JP1 JP2 JP3 JP4 JP5 JP6 JP7	V _{CO} RE=2.9V V _{IO} = 3.5V JP8 JP9 JP10 JP11 JP12	IDT C6-180	60MHz x 3 1 2 JP1 JP2 JP3 JP4 JP5 JP6 JP7	V _{CO} RE = 3.5V V _{IO} = 3.5V JP8 JP9 JP10 JP11 JP12
IDT C6-200	66MHz x 3 1 2 JP1 JP2 JP3 JP4 JP5 JP6 JP7	V _{CO} RE = 3.5V V _{IO} = 3.5V JP8 JP9 JP10 JP11 JP12	IDT C6-225	75MHz x 3 1 2 JP1 JP2 JP3 JP4 JP5 JP6 JP7	V _{CO} RE=3.5V V _{IO} = 3.5V JP8 JP9 JP10 JP11 JP12	IDT C6-240	60MHz x 4 1 2 JP1 JP2 JP3 JP4 JP5 JP6 JP7	V _{CO} RE = 3.5V V _{IO} = 3.5V JP8 JP9 JP10 JP11 JP12

JUMPER SETTING FOR CPU VOLTAGE AND FREQUENCY

CPU TYPE	JP1 ~ JP7	JP8 ~ JP12	CPU TYPE	JP1 ~ JP7	JP8 ~ JP12	CPU TYPE	JP1 ~ JP7	JP8 ~ JP12
Intel 80502 -90	60MHz x 1.5 1 2 JP1 JP2 JP3 JP4 JP5 JP6 JP7	V _{CORE} = 3.3V V _{I/O} = 3.3V JP8 JP9 JP10 JP11 JP12	Intel 80502 -100	66MHz x 1.5 1 2 JP1 JP2 JP3 JP4 JP5 JP6 JP7	V _{CORE} = 3.3V V _{I/O} = 3.3V JP8 JP9 JP10 JP11 JP12	Intel 80502 -120	60MHz x 2 1 2 JP1 JP2 JP3 JP4 JP5 JP6 JP7	V _{CORE} = 3.3V V _{I/O} = 3.3V JP8 JP9 JP10 JP11 JP12
Intel 80502 -133	66MHz x 2 1 2 JP1 JP2 JP3 JP4 JP5 JP6 JP7	V _{CORE} = 3.3V V _{I/O} = 3.3V JP8 JP9 JP10 JP11 JP12	Intel 80502 -150	60MHz x 2.5 1 2 JP1 JP2 JP3 JP4 JP5 JP6 JP7	V _{CORE} = 3.3V V _{I/O} = 3.3V JP8 JP9 JP10 JP11 JP12	Intel 80502 -166	66MHz x 2.5 1 2 JP1 JP2 JP3 JP4 JP5 JP6 JP7	V _{CORE} = 3.3V V _{I/O} = 3.3V JP8 JP9 JP10 JP11 JP12
Intel 80502 -200	66MHz x 3 1 2 JP1 JP2 JP3 JP4 JP5 JP6 JP7	V _{CORE} = 3.3V V _{I/O} = 3.3V JP8 JP9 JP10 JP11 JP12	Intel 80503 -166	66MHz x 2.5 1 2 JP1 JP2 JP3 JP4 JP5 JP6 JP7	V _{CORE} = 2.8V V _{I/O} = 3.5V JP8 JP9 JP10 JP11 JP12	Intel 80503 -200	66MHz x 3 1 2 JP1 JP2 JP3 JP4 JP5 JP6 JP7	V _{CORE} = 2.8V V _{I/O} = 3.5V JP8 JP9 JP10 JP11 JP12
Intel 80503 -233	66MHz x 3.5 1 2 JP1 JP2 JP3 JP4 JP5 JP6 JP7	V _{CORE} = 2.8V V _{I/O} = 3.5V JP8 JP9 JP10 JP11 JP12						

RESERVED JUMPER SETTING FOR OTHER CPU FREQUENCY

66MHz x 5	75MHz x 3.5	75MHz x 4	75MHz x 4.5	75MHz x 5
1 2 JP1 JP2 JP3 JP4 JP5 JP6 JP7	1 2 JP1 JP2 JP3 JP4 JP5 JP6 JP7	1 2 JP1 JP2 JP3 JP4 JP5 JP6 JP7	1 2 JP1 JP2 JP3 JP4 JP5 JP6 JP7	1 2 JP1 JP2 JP3 JP4 JP5 JP6 JP7

RESERVED JUMPER SETTING FOR OTHER CPU VOLTAGE

V _{CORE} = 3.4V	V _{CORE} = 3.1V	V _{CORE} = 3.0V	V _{CORE} = 2.7V	V _{CORE} = 2.6V	V _{CORE} = 2.5V
1 2 JP8 JP9 JP10 JP11 JP12	1 2 JP8 JP9 JP10 JP11 JP12	1 2 JP8 JP9 JP10 JP11 JP12	1 2 JP8 JP9 JP10 JP11 JP12	1 2 JP8 JP9 JP10 JP11 JP12	1 2 JP8 JP9 JP10 JP11 JP12
V _{CORE} = 2.4V	V _{CORE} = 2.3V	V _{CORE} = 2.1V	V _{CORE} = 2.0V		
1 2 JP8 JP9 JP10 JP11 JP12	1 2 JP8 JP9 JP10 JP11 JP12	1 2 JP8 JP9 JP10 JP11 JP12	1 2 JP8 JP9 JP10 JP11 JP12		