

USER'S MANUAL

AMB-223T

*Flat Panel Industrial
Display Panel*

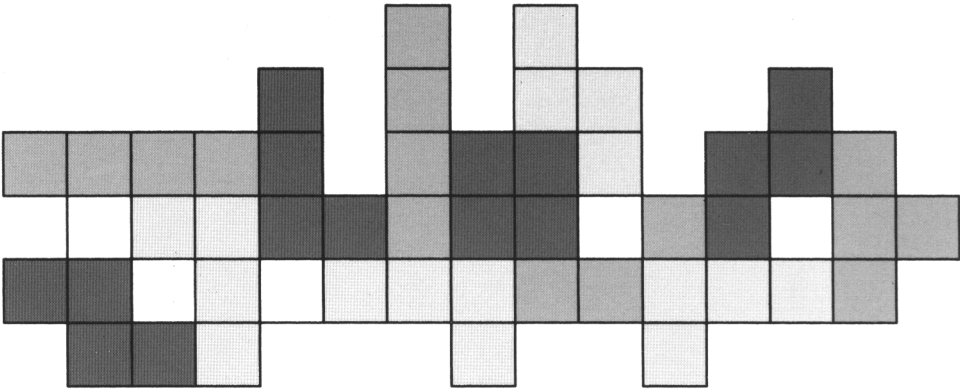


Table of Contents

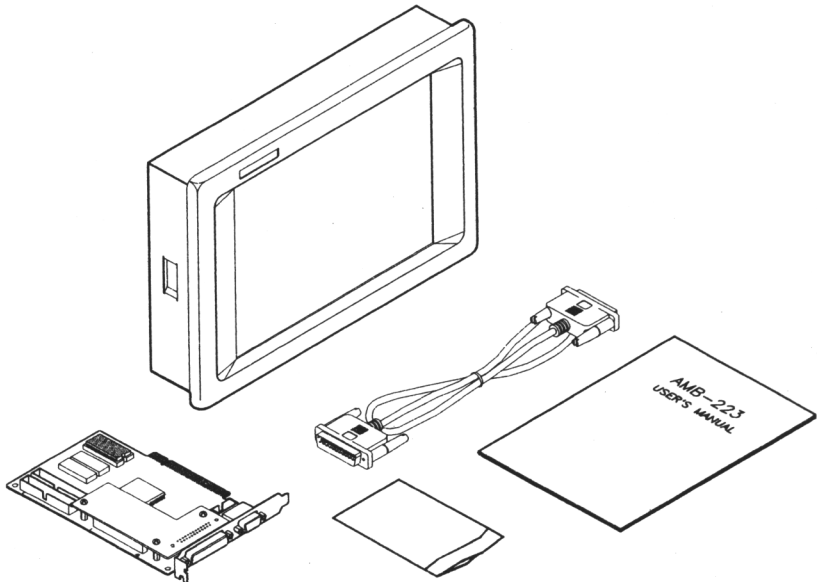
About This Manual	1
Chapter 1 Overview	2
1.1 General	2
1.2 Features	3
1.3 Specification	4
1.4 Dimensions	5
Chapter 2 System Setup	6
2.1 General	6
2.2 Install the graphic card	7
2.3 Connection to your PC	8
2.4 Panel mounting	9

About This Manual

The manual is made to help you understand how to set up and use the AMB-223T industrial display panel. It is divided into two chapters. Chapter one gives you an overview of the display panel. Chapter two tells you how it is basically constructed and what procedures you should take for its system setup or upgrading.

But before all that the first thing you should do when you receive the display panel is check if the package contains the following items. You should contact your dealer immediately if any of them is missing or damaged:

- * One AMB-223T industrial display panel
- * One graphic card
- * One DB-25 cable
- * One accessory box
- * One user's manual



Chapter 1 Overview

1.1 General

The AMB-223T industrial display panel is an ideal VGA interface specially designed for use in the industrial field. It comes equipped with a 12.1" SVGA (800x600 resolution) color TFT LCD display. It also comes with a graphic card, which is for you to install on your motherboard or passive backplane in your PC. The card also carries an LVDS interface which enables your PC to communicate with the display panel at up to 20 meters away. No additional power source is required to run the display panel as the power coming from the graphic card is already enough.

The front panel is made of plastic which meets the NEMA 4/12 standard. On the back panel of the chassis there are brightness and contrast controls, and two connectors: DB-25 (for LCD) and DB-9 (for touchscreen) via them you can link up the display panel with your PC.

1.2 Features

- * Heavy-duty steel chassis, NEMA 4/12 plastic front panel
- * 12.1" SVGA (800x600 resolution) color TFT LCD display
- * Analog resistive touchscreen (option)
- * ISA-bus (default) graphic card (MBC-265+LVDS interface) or PCI-bus (MBC-266+LVDS interface)
- * DB-25 cable (1.8 up to 20 meters)
- * Brightness and contrast controls on the back panel
- * DB-25 (for LCD) and DB-9 (for touchscreen) connectors on the back panel
- * Panel mount

1.3 Specification

* General

Construction: heavy-duty steel chassis, plastic front panel

Dimensions: 352mm(W)x254mm(H)x51.5mm(D)

Weight: kgs

* Display

Diagonal: 12.1"

Display area: 246 (H) x 184.5 (V)

Resolution: 800x600

Color: 256 colors

* Environmental

Operating temperature: 0°C to 45°C

Storage temperature: -20°C to 60°C

Relative humidity: 5 to 95%, non-condensing

Altitude: 10,000 ft (3000 meters)

Vibration: 5 to 17 Hz, 0.1" double-amplitude displacement
17 to 500 Hz, 1.5 G peak to peak

Shock: 10 G peak acceleration (11 msec. duration)

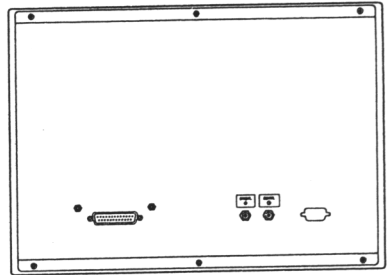
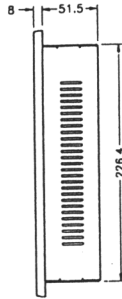
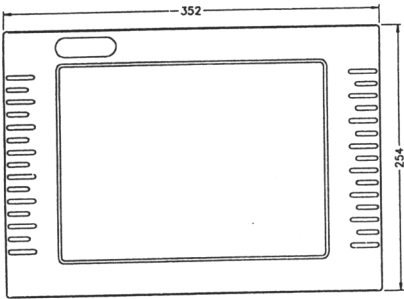
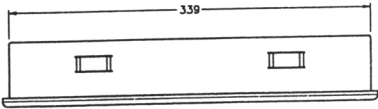
Safety: meets UL/CSA/TUV

EMI: meets FCC/VDE Class A

* Touchscreen (option)

(refer to the touchscreen user's guide which is included in the package if you have opted for a touchscreen)

1.4 Dimensions



Chapter 2 System Setup

2.1 General

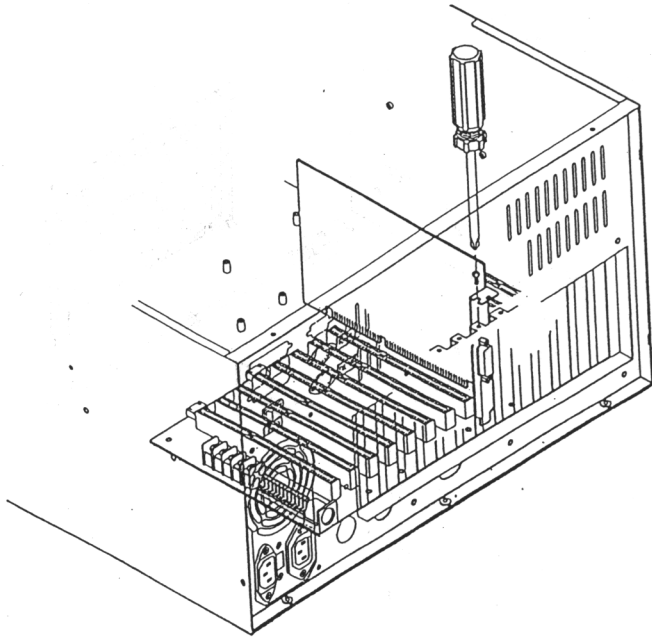
The AMB-223T display panel is very easy to set up for operation, all you have to do is install the graphic card on your PC's motherboard or passive backplane, and connect the DB-25 cable from the graphic card to the display panel. As we have said before, no additional power source is required to run them, the power coming through the graphic card is already enough.

But before you come to install the graphic card you should first make sure that: *you have shut down your PC and unplugged all the power cables from it. If you haven't, do it now. Also remember henceforth that each time you want to take off the graphic card for whatever purpose, you should shut down again your PC and unplug all the power cables from it.*

2.2 Install the graphic card

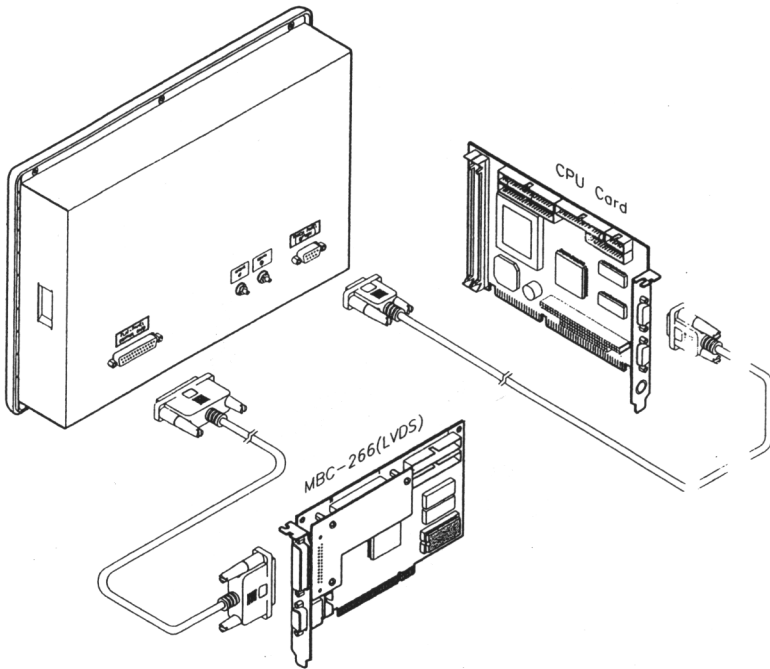
To link the display panels up with your PC you should first install the graphic card on your PC's motherboard or passive backplane. The installation will take the following steps to complete:

1. Choose a proper slot and remove its anti-dust leaf
2. Slide the graphic card into the slot with its mounting bar going down the leaf's groove
3. Drive the screw back to secure



2.3 Connection to your PC

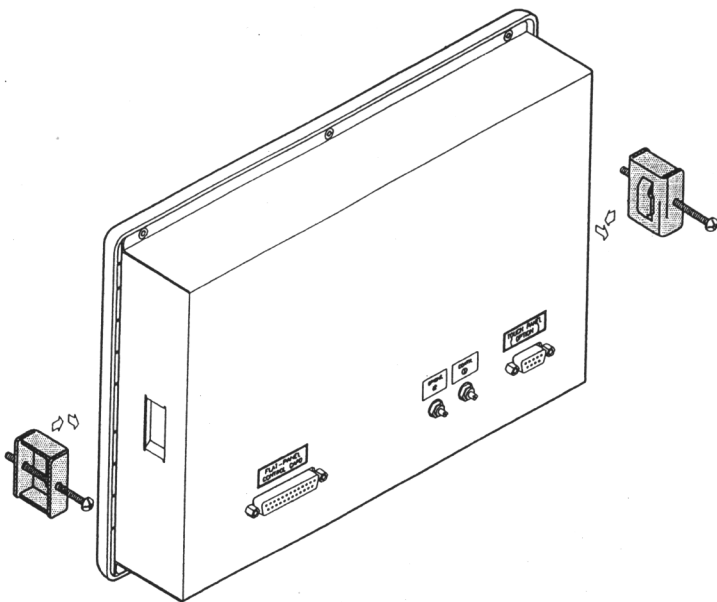
The display panels provide two connectors on their back. From the lower left one you can connect the DB-25 cable to the graphic card you have installed your PC. From the lower right one you can connect a DB-9 cable (which will come with the touchscreen if you have opted for it) to the CPU card in your PC.



2.4 Panel mounting

The display panels can be placed on a shelf or table, or mounted onto a control panel. To mount them onto a control panel you need a kind of mounting kits which you will find in the accessory box. Take the mounting steps described here below:

1. Set the display panel within the aperture in your control panel
2. Slide the mounting kits into the slots on the chassis cover
3. Tighten the bolt in the kits until the display panel is firmly secured to the control panel





HomeTek Technology Inc.

ADDRESS: No.85-5, Shir Men Road, Tu Cheng City, Taipei Hsien, TAIWAN, R. O. C.

PHONE : 886-2-22608375 FAX : 886-2-22748013

E - mail : hometek@ms15.hinet.net

CERTIFICATE OF COMPLIANCE

EUT : Flat Panel Industrial Display Panel
 MODEL NO. : AMB-223T
 Final Test Date : 12/2/98 REPORT #: EA7K015
 APPLICANT : Astech Technology CO., LTD.
 ADDRESS : 6F-4, NO. 351, CHUNG-SHAN RD.,
SEC. 2, CHUNG-HO CITY, TAIPEI,
TAIWAN, R. O. C.

MEASUREMENT PROCEDURE USED :

- | | |
|--|--|
| <input checked="" type="checkbox"/> EN50081-1 (1992) | <input checked="" type="checkbox"/> EN50082-1 (1992) |
| <input type="checkbox"/> EN50081-2 (1992) | <input type="checkbox"/> EN50082-2 (1992) |
| <input type="checkbox"/> EN55011 (1994) | <input checked="" type="checkbox"/> IEC 801-2 (1984) |
| <input checked="" type="checkbox"/> EN55022 (1994) | <input checked="" type="checkbox"/> IEC 801-3 (1984) |
| <input type="checkbox"/> EN60555-2 (1987) | <input checked="" type="checkbox"/> IEC 801-4 (1988) |
| <input type="checkbox"/> EN60555-3 (1987) | |

WE HEREBY SHOW THAT :

THE MEASUREMENT SHOWN IN THE ATTACHMENT WERE MADE IN ACCORDANCE WITH THE PROCEDURES INDICATED, AND THE ENERGY EMITTED BY THE EQUIPMENT WAS FOUND TO BE WITHIN THE LIMITS APPLICABLE.

THIS TEST RESULTS OF THIS REPORT APPLIES TO ABOVE TESTED SAMPLE ONLY.

THIS TEST REPORT SHALL NOT BE REPRODUCE IN PART WITHOUT WRITTEN APPROVAL OF HOMETEK TECHNOLOGY INC.

PREPARED BY : Angel Chen DATE : 12/4/98
ANGEL CHEN

CHECK BY : Mike Huang DATE : 12/4/98
MIKE HUANG

APPROVED BY : Grant Huang DATE : 12/4/98
GRANT HUANG/Manager