



Electronic Emission Notices

Federal Communications Commission (FCC) Statement (00512C)

This equipment has been tested and found to comply with the limits for a Class B digital device, pursuant to Part 15 of FCC Rules. These limits are designed to provide reasonable protection against harmful interference in a residential installation. This equipment generates, uses and can radiate radio frequency energy and, if not installed and used in accordance with instructions contained in this manual, may cause harmful interference to radio and television communications. However, there is no guarantee that interference will not occur in a particular installation.

If this equipment does cause harmful interference to radio or television reception, which can be determined by turning the equipment off and on, the user is encouraged to try to correct the interference by one or more of the following measures:

- REORIENT OR RELOCATE THE RECEIVING ANTENNA
- INCREASE THE SEPARATION BETWEEN THE EQUIPMENT AND THE RECEIVER
- CONNECT THE EQUIPMENT INTO AN OUTLET ON A CIRCUIT DIFFERENT FROM THAT OF THE RECEIVER
- CONSULT THE DEALER OR AN EXPERIENCED AUDIO/TELEVISION TECHNICIAN

NOTE: Connecting this device to peripheral devices that do not comply with Class B requirements, or using an unshielded peripheral data cable, could also result in harmful interference to radio or television reception.

The user is cautioned that any changes or modifications not expressly approved by the party responsible for compliance could void the user's authority to operate this equipment.

To ensure that the use of this product does not contribute to interference, it is necessary to use shielded I/O cables.

Copyright

This manual is copyrighted with all rights reserved. No portion of this manual may be copied or reproduced by any means.

While every precaution has been taken in the preparation of this manual, no responsibility for errors or omissions is assumed. Neither is any liability assumed for damages resulting from the use of the information contained herein.

Trademarks

All brand names, logos and registered trademarks mentioned are property of their respective owners.

Table of Contents

HARDWARE CONFIGURATION	3
Key Features	3
Motherboard Layout	5
Jumper Settings	6
CPU Speed Selection	6
CK1, CK2 - System Bus Frequency	6
EDS1, JP42 - On Board AC97 Codec Sound & AMR Setting	6
JBAT - CMOS Clear	6
JVSB1 - Keyboard Power Select	6
Pin Assignment	7
HARDWARE SETUP	8
To Install DIMMs	8
Installing a New Processor	9
To Install a Processor to ZIF Socket	9
Connect the processor Fan Connector	9
Setting the Processor Speed	9
BIOS SETUP	10
Starting Setup	10
Main Menu	11
Standard CMOS Features	12
Advanced BIOS Features	14
Advanced Chipset Features	14
Integrated Peripherals	14
Power Management Setup	14
PNP/PCI Configurations	14
PC Health Status	14
Frequency/Voltage Control	14
Set Supervisor/User Password	14
Flash Update Procedure	16

HARDWARE CONFIGURATION

Key Features :

Chipset

- Intel® 815/815P/815B/815PB Chipset.

Processor

- Full support for the Intel® Pentium® III and Celeron® processors (FC-PGA package) using PGA370 socket.
- Full support for the Intel® Tualatin processors (FC-PGA2 package) using PGA370 socket (only for Intel® 815B/815PB chipset).
- Support for Intel® Celeron® processors (FC-PGA package) and Intel® Pentium® III processors.
- 66/100/133MHz System Bus Frequency.

VRM 8.5 (Voltage Regulator Modules) on Board

- Flexible motherboard design with on board VRM 8.5, easy to upgrade with Intel® processors.

System Memory

- A total of two 168-pin DIMM sockets.
- Memory size up to 512M bytes.
- 32MB to 256MB using 16Mb/32Mb/64Mb/128Mb/256Mb technology.
- Support for x8, x16 DRAM device widths.
- Supports single & double sided DIMMs.
- Unbuffered, Non-ECC SDRAM only Supported.

System BIOS

- Firmware Hub with security feature.
- PnP, APM, ATAPI and Windows® 95/98/2000.
- Full support of ACPI & DMI.
- Auto detects and supports LBA harddisks with capacities over 8.4GB.
- Easy to upgrade BIOS by end-user.

On-board I/O

- On board two PCI fast IDE ports supporting up to 4 ATA, ATA2 , Ultra DMA33 IDE HDDs, and Ultra DMA66 IDE HDDs, CD-ROMs, ZIP drives and LS-120 drives as boot drive.
- Support Bus Master IDE, PIO mode 4 (up to 16.6M bytes/sec), Ultra DMA33 (up to 33M bytes/sec) Ultra DMA66 (up to 66M bytes/sec) transfer.
- One ECP/EPP parallel port.
- Two 16550 Compatible UART serial ports.
- One floppy port support two FDDs of 360KB, 720KB, 1.2MB, 1.44MB and 2.88MB capacity.
- Two USB ports.
- PS/2 keyboard connector.
- PS/2 mouse is supported.
- Infrared (IrDA) is supported via a header.

Plug-and-Play

- Supports plug and play specification 1.1.
- Plug and play for DOS, Windows® 3.X, Windows® 95/98 as well as Windows® 2000.
- Fully steerable PCI interrupts.

On-board VGA (only for Intel® 815/815B Chipset)

- 3D Hyper Pipelined Architecture.
- Full 2D H/W Acceleration.
- Motion Video Acceleration.
- Up to 1600x1200 in 8 bit Color at 85MHz Refresh.
- H/W Motion Compensation Assistance for S/W MPEG2 Decode.
- Software DVD at 30fps.
- Integrated 24-bit 230MHz RAMDAC.

Display Cache Interface multiplexed on the AGP interface (only for Intel® 815/815B Chipset)

- 32-bit data interface.
- 133MHz SDRAM interface only.
- Flexible AGP In-Line Memory Module (AIMM) Implementation.
- Support for two 1Mx16, or one 2Mx32 on AIMM card.
- 4MB max addressable.

On-board AC97 Sound (optional)

- Integrated AC97 controller with standard AC97 Codec.
- Direct Sound and Sound Blaster compatible.
- Full-Duplex 16-bit record and play back.
- PnP and APM 1.2 support.
- Win® 95/98/2000, NT drivers ready.
- Line-in, Line-out, Mic-in and MIDI/Game port.

Power Management

- Supports SMM, APM and ACPI.
- Break switch for instant suspend/resume on system operations.
- Energy star "Green PC" compliant.
- Hardware monitoring circuit is supported, provide voltage, temperature, fan speed, etc. monitoring (optional).
- WOL (Wake-On-Lan) header support.
- External Modem Ring-in Wake-up support.

Expansion Slots

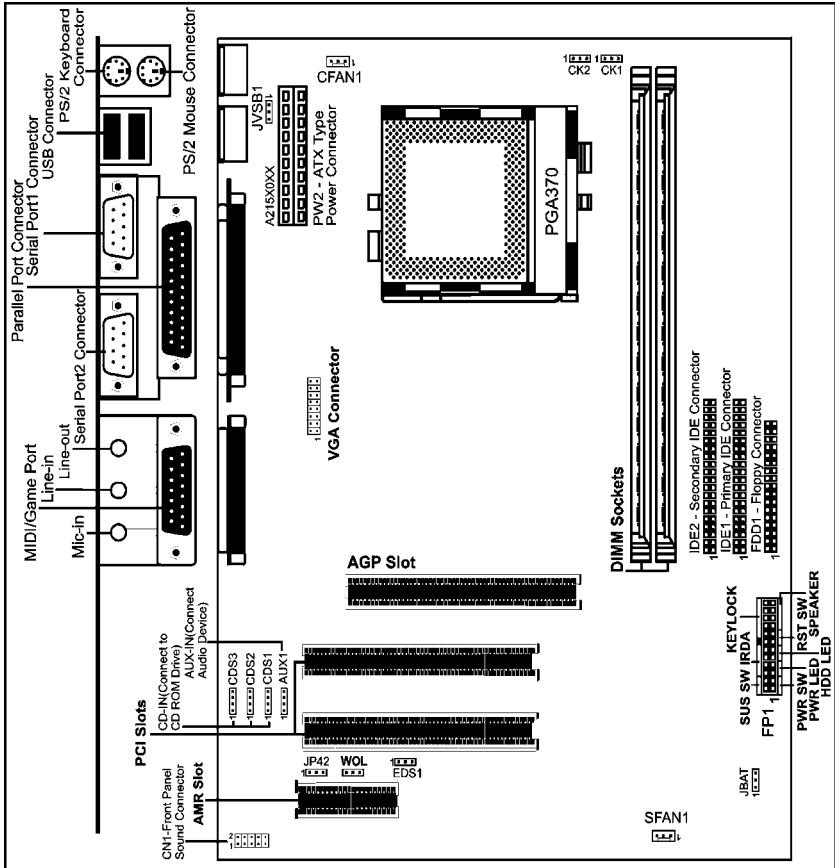
- 1 AMR slot.
- 1 AGP slot.
- 2 PCI bus master slots - ver. 2.1 compliant.

CAUTION

Static electricity can harm delicate components of the motherboard. To prevent damage caused by static electricity, discharge the static electricity from your body before you touch any of the computers electronic components.

Motherboard Layout

The following diagrams show the relative positions of the jumpers, connectors, major components and memory banks on the motherboard.



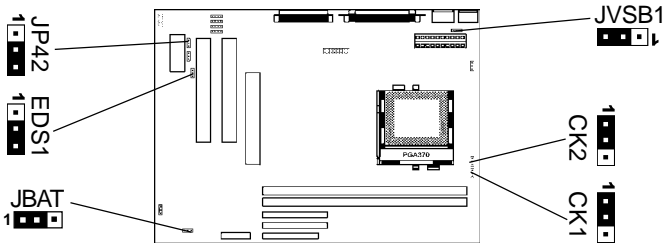
The "VGA Connector" is installed for Intel® 815/815B chipset version only.

NOTE

- 1) Be sure to check the cable orientation in order to match the colored strip to the pin 1 end of the connector.
- 2) When you start up the system, please wait for 5 seconds after you power on AC.

Jumper Settings

This chapter explains how to configure the motherboard's hardware. Before using your computer, make sure all jumpers and DRAM modules are set correctly. Refer to this chapter whenever in doubt.



CPU Speed Selection

In this motherboard, jumperless feature is implemented such that no jumper is required to be set for different type of CPU installed.

Notice:

1. Be sure to save the CMOS setting when exit the CMOS.
2. The CPU is frequency multiplier locked, no CPU speed change will be seen even if the frequency multiplier setting in CMOS setup is changed.

CK1, CK2 - System Bus Frequency

CK1	CK2	CPU Clock Speed
1 <input type="checkbox"/> <input type="checkbox"/> <input type="checkbox"/> Open	1 <input type="checkbox"/> <input type="checkbox"/> <input type="checkbox"/> Open	133MHz
1 <input type="checkbox"/> <input type="checkbox"/> <input type="checkbox"/> Open	1 <input checked="" type="checkbox"/> <input type="checkbox"/> <input type="checkbox"/> 1-2	100MHz
1 <input checked="" type="checkbox"/> <input type="checkbox"/> <input type="checkbox"/> 1-2*	1 <input checked="" type="checkbox"/> <input type="checkbox"/> <input type="checkbox"/> 1-2*	Auto*

EDS1, JP42 - On Board AC97 Codec Sound & AMR Setting

EDS1	JP42	Function
1 <input type="checkbox"/> <input type="checkbox"/> <input type="checkbox"/> 2-3*	1 <input type="checkbox"/> <input type="checkbox"/> <input type="checkbox"/> 2-3* (S)#	AC97 Sound Enable*
1 <input checked="" type="checkbox"/> <input type="checkbox"/> <input type="checkbox"/> 1-2	1 <input checked="" type="checkbox"/> <input type="checkbox"/> <input type="checkbox"/> 1-2 (P)#	AC97 Sound Disable

JBAT - CMOS Clear

JBAT	Selection
1 <input checked="" type="checkbox"/> <input type="checkbox"/> <input type="checkbox"/> 1-2*	Normal*
1 <input type="checkbox"/> <input type="checkbox"/> <input type="checkbox"/> 2-3	CMOS Clear





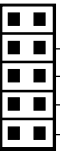
JVSb1 - Keyboard Power Select

JVSb1	Select
1 <input type="checkbox"/> <input type="checkbox"/> <input type="checkbox"/> 2-3*	Powered by +5V*
1 <input checked="" type="checkbox"/> <input type="checkbox"/> <input type="checkbox"/> 1-2	Powered by +5V Standby (Allows Keyboard Power On)

P = Primary AMR, S = Secondary AMR

Close Open * = Default setting.

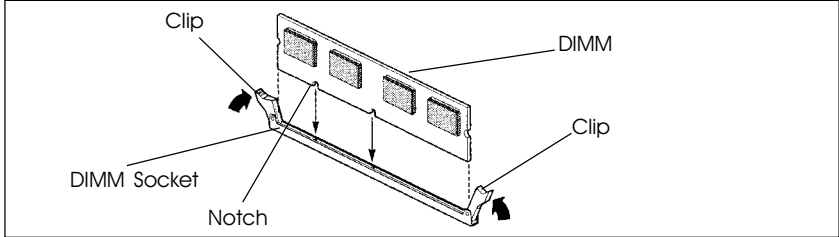
Pin Assignment

Internal Audio Connector					
AUX1 : AUX-IN		CDS2 : CD-IN			
	Pin	Assignment			
1	1	AUX-L	1		
	2	GND	2		
	3	GND	3		
	4	AUX-R	4		
			R G L G		
CDS1 : CD-IN		CDS3 : CD-IN			
	Pin	Assignment			
1	1	CD-L	1		
	2	GND	2		
	3	GND	3		
	4	CD-R	4		
			G L G R		
CN1					
Front Panel					
Sound Connector					
LINEOUTL	10		9		
X			LINEOUTR		
MICIN			GND		
GND			BIAS		
LINEINL	2		GND		
			1		
			LINEINR		
FP1					
FRONT PANEL HEADER					
HEADER 2x12					
GND	24	KEYLOCK - S - NC +	SPKER + - NC S	23	VCC
KEYLOCK-	22			21	GND
GND	20			19	X
KEYLOCK+	X 18	+ TX - RX	SW - RST+	17	SPEAK
	16			15	GND
VCC	X 14	+ TX - RX	LED - HDD+	13	RST+
IRTX	12			11	HDDLED-
GND	8	- SW +SUS	SW - PWR+	9	HDDLED+
IRRX	6			7	PWRLED-
GND	4			5	PWRLED+
SUS+	2			3	GND
				1	PWR+

Hardware Setup

To Install DIMMs

1. Locate the DIMM sockets.
2. Holding the DIMM by the edges, remove it from its antistatic package.
3. Make sure the clips at either end of the socket are pushed away from the socket.



4. Position the DIMM above the socket. Align the two small notches in the bottom edge of the DIMM with the keys in the socket.
5. Insert the bottom edge of the DIMM into the socket.
6. When the DIMM is seated, push down on the top edge of the DIMM until the retaining clips at the ends of the socket snap into place. Make sure the clips are firmly in place.



Turn system power off before installing and removing any device, otherwise you'll cause the system damage.

Installing a New Processor

An upgrade processor can dramatically increase general system speed and performance.

Most microprocessor upgrade kits include the following items:

- Microprocessor chip
- Installation instructions and technical data

Your system may have these features built in, or support them as upgrades.

To Install a Processor to ZIF Socket

To install the processor, follow these steps:

1. If the system microprocessor is already on the motherboard socket, you need to remove it from the motherboard socket. The socket is a Zero Insertion Force (ZIF) socket which has a metal arm at one side. Carefully grasp this arm, move it horizontally away from the socket and lift it up. Eventually you will be able to lift the chip straight up out of the socket. Be careful not to bend any pins.

Be careful not to bend any of the pins when removing the microprocessor chip from its socket. The microprocessor chip can be permanently damaged.

2. Unpack the new microprocessor chip.
3. Carefully align the processor with the correct orientation to the socket on the motherboard.
4. Carefully insert the processor into the socket, and move the metal arm downward to replace it in its original position.

Connect the Processor Fan Connector

There is a fan attached the processor to prevent the overheating. Connect the processor fan cable to the fan connector that located on the motherboard near the processor and ensure the fan can operate. Otherwise the CPU can overheat and cause **damage to both CPU and motherboard.**

Setting the Processor Speed

After you install the processor into the motherboard, set the processor speed by CMOS setup.

BIOS Setup

This chapter discusses Award's Setup Program built into the ROM BIOS. The Setup Program allows users to modify the basic system configuration. This special information is then stored in battery-backed RAM, which retains the setup information when the power is turned off.

Starting Setup

The Award BIOS is immediately activated when you turn on the computer. The BIOS reads the system information contained in the CMOS and begins the process of checking out the system and configuring it. When it finishes, the BIOS will seek an operating system on one of the disks and then launch and turn control over to the operating system.

While the BIOS is in control, the Setup Program can be activated :

1. By pressing immediately after switching the system on, or
2. By pressing the key when the following message appears briefly at the bottom of the screen during the POST (Power On Self Test)

Press DEL to enter SETUP

If the message disappears before you can respond and you still wish to enter Setup, restart the system to try again by turning it OFF then ON or pressing the "RESET" button on the system case. You may also restart by simultaneously pressing the <Ctrl>, <Alt>, and <Delete> keys. If you do not press the keys at the correct time and the system does not reset, an error message will be displayed and you will again be asked to ...

PRESS F1 TO CONTINUE, DEL TO ENTER SETUP

Getting Help

Press F1 to pop up a small help window that describes the appropriate keys to use and the possible selections for the highlighted item. To exit the Help Window press <Esc> or the F1 key again.

In Case of Problems

If, after making and saving system changes with the Setup Program, you discover that your computer does not reset, use the Award BIOS defaults to override the CMOS settings.

Main Menu

Once you enter the Award BIOS CMOS Setup Utility, the Main Menu will appear on the screen. The Main Menu allows you to select from various setup functions and two exit choices. Use the arrow keys to select among the items and press <Enter> to accept and enter the sub-menu.

CMOS Setup Utility - Copyright (C) 1984-2001 Award Software	
<ul style="list-style-type: none"> ▶ Standard CMOS Features ▶ Advanced BIOS Features ▶ Advanced Chipset Features ▶ Integrated Peripherals ▶ Power Management Setup ▶ PnP/PCI Configurations ▶ PC Health Status 	<ul style="list-style-type: none"> ▶ Frequency/Voltage Control Load Fail-Safe Defaults Load Optimized Defaults Set Supervisor Password Set User Password Save & Exit Setup Exit Without Saving
Esc : Quit	↑↓←→ : Select Item
F10 : Save & Exit Setup	
Time, Date, Hard Disk Type	

(Note : The figures of BIOS Setup Menu included here only show a typical case, and may not be exactly the same as the one on your unit.)

Note that a brief description of each highlighted item will appear at the bottom of the screen.

Standard CMOS Features This setup page includes all the items of Award™ special standard features.

Advanced BIOS Features This setup page includes all the items of Award™ special enhanced features.

Advanced Chipset Features This setup page includes all the items of chipset special features.

Integrated Peripherals This section page includes all the items of IDE hard drive and Programmed Input / Output features.

Power Management Setup This entry only appears if your system supports Power Management "Green PC" standards.

PNP/PCI Configurations This entry appears if your system supports PNP/PCI.

PC Health Status Display CPU and Case Fan Speed.

Frequency/Voltage Control CPU speed setting are settings of CPU speed. You should refer to your CPU marking.

Load Fail-Safe Defaults The BIOS defaults have been set by the manufacturer and represent settings which provide the minimum requirements for your system to operate.

Load Optimized Defaults The chipset defaults are settings which provide for maximum system performance. While Award has designed the custom BIOS to maximize performance, the manufacturer has the right to change these defaults to meet its needs.

Set Supervisor/ User Password Changes, sets, or disables password. It allows you to limit access to the system and the Setup Program.

Save & Exit Setup Saves value changes to CMOS and exits setup.

Exit Without Saving Abandons all CMOS value changes and exits setup.

Standard CMOS Features

The items in Standard CMOS Setup Menu are divided into 10 categories. Each category includes one or more setup items. Use the arrow keys to highlight the item and then use the <PgUp> or <PgDn> key to select the desired value in each item.

CMOS Setup Utility - Copyright (C) 1984-2001 Award Software
Standard CMOS Features

Date (mm :d d :yy)	Mon. May 21 2001	Item Help
Time (h h :mm:ss)	11 : 1 : 35	
▶ IDE Primary Master	[Press Enter 4303 MB]	Menu Level ▶
▶ IDE Primary Slave	[None]	Change the day, month, year and century
▶ IDE Secondary Master	[None]	
▶ IDE Secondary Slave	[None]	
Drive A	[1.44M, 3.5 in.]	
Drive B	[None]	
Video	[EGA/VGA]	
Halt on	[All, but keyboard]	
Base Memory	640K	
Extended Memory	30720K	
Total Memory	31744K	

↑↓↔← Move Enter: Select +/-/PU/PD : Value F10 : Save ESC : Exit F1 :General Help
F5 : Previous Values F6 : Fail-Safe Defaults F7 : Optimized Defaults

(Note : The figures of BIOS Setup Menu included here only show a typical case, and may not be exactly the same as the one on your unit.)

Date	The date format is <day-of-the-week>. <month> <day> <year>.
Time	The time format is <hour> <Minute> <second> displayed in 24-hour military-time clock. For example, 1 p. m. is displayed as 13:00:00.
Primary Master/Primary Slave/Secondary Master/Secondary	These categories identify the types of the two channels that have been installed in the computer. If the controller of the HDD interface is SCSI, the selection shall be "None".
Drive A Type / Drive B Type	This category identifies the types of floppy disk drive A or drive B that has been installed in the computer.
Video	The default setting is EGA/VGA.
Halt on	You can select which type of error will cause the system to halt.

Advanced BIOS Features

This section allows you to configure your system for basic operation. You have the opportunity to select the system's default speed, boot-up sequence, keyboard operation, shadowing and security.

Advanced Chipset Features

The Chipset Features Setup option is used to change the values of the chipset registers. These registers control most of the system options in the computer.

This section allows you to configure the system based on the specific features of the installed chipset. This chipset manages bus speeds and access to system memory resources, such as DRAM and the external cache. It must be stated that these items should not be altered. The default settings have been chosen because they provide the best operating conditions for your system.

Integrated Peripherals

The Integrated Peripherals Setup allows the user to configure the onboard IDE controller, floppy disk controller, the printer port and the serial ports.

Power Management Setup

The Power Management Setup Menu allows you to configure your system to most save energy while operating in a manner consistent with your own style of computer use.

PNP/PCI Configurations

This section describes how to configure the PCI bus system. This section covers some very technical items and it is recommended that only experienced users should make any changes to the default settings.

PC Health Status

The PC Health Status display CPU and Case Fan Speed.

Frequency/Voltage Control

This section allows you to set CPU Speed.

Set Supervisor/User Password

You can set either supervisor or user password, or both of them. The difference between them are:

Supervisor Password :

You can enter the Setup Program and change the options of the setup menus.

User Password :

You can enter the Setup Program but cannot change the options of the setup menus.

When you select this function, the following message will appear at the center of the screen to assist you in creating a password.

ENTER PASSWORD:

Type the password, up to eight characters in length, and press <Enter>. The new password will clear the previously entered password from the CMOS memory. You will be asked to confirm the password. Type the password again and press <Enter>. You may also press <Esc> to abort the selection and operate without a password.

To disable a password, just press <Enter> when you are prompted to enter the password. A message will be displayed to confirm that the password is disabled.

PASSWORD DISABLED.

Once the password is disabled, the system will reset and you can enter the Setup Program freely.

When a password is enabled, you will be prompted to enter it every time you try to enter setup. This prevents an unauthorized person from changing any setting of your system configuration.

In addition, when a password is enabled, you can require the BIOS to request a password every time your system is rebooted. This would further prevent unauthorized use of your computer.

The password requirement is defined by the Security Option of the BIOS Features Setup Menu. If the Security Option is set to "System", the password will be required both at resetting and at entering setup. If the option is set to "Setup", the prompt only appears when you try to enter setup.

Flash Update Procedure

A program AWDFLASH.EXE is included in the utility diskette or CD (X:\Utility\AWDFLASH.EXE). The user is recommended to follow the procedure below to update the flash BIOS.

(X: your CD driver letter).

1. Create a DOS-bootable floppy diskette. Copy the new BIOS file (just obtained or downloaded) and the utility program AWDFLASH.EXE to the diskette.
2. Allow the PC system to boot from the DOS diskette.
3. At the DOS prompt, key in

AWDFLASH
and hit <ENTER>

4. Enter the file name of the new BIOS.
5. The question: "Do you want to save BIOS (Y/N)" is displayed.

Key in "N" if there is no need to save the existing BIOS content..
Key in "Y" if a backup copy of the existing BIOS is needed.
(A file name has to be assigned to the existing BIOS binary file.)

6. The question : "Are you sure to program (Y/N)" is displayed.

Key in "Y"

7. Wait until the flash-update is completed.
8. Power down the PC system.
9. Restart the PC.

Warning:

DO not turn off or RESET the computer during the flash process.

If you are unsure how to upgrade the BIOS, it is best to take your computer to an Authorized Service Center and have a trained technician do the work for you.