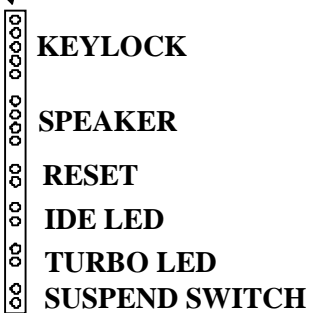
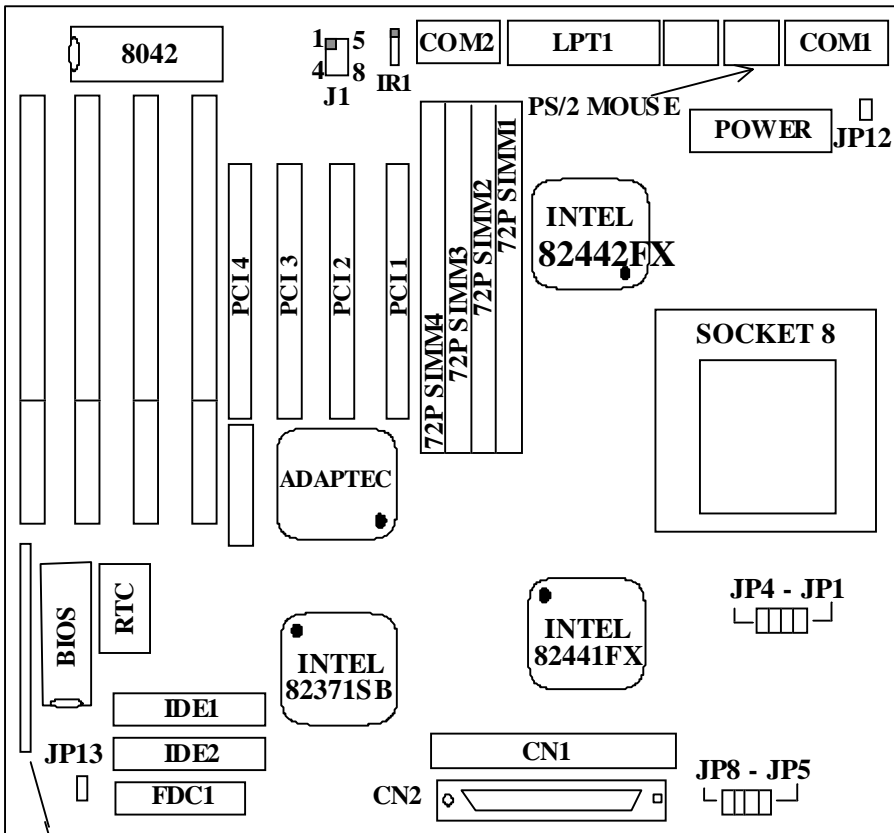


I440 FX CHIPSET
ATX FORM FACTOR
PENTIUM® II SYSTEM BOARD
USER'S MANUAL

1. LAYOUT REFERENCE



2. JUMPER SETTINGS

1. JP1-JP4, JP7, JP8 : INTEL CPU TYPE SELECTOR

CPU SPEED	CLOCK SPEED	RATIO	JP1	JP2	JP3	JP4	JP7	JP8
INTEL 150 MHZ	(60MHZ)	2.5	ON	ON	ON	OFF	ON	OFF
INTEL 166 MHZ	(66MHZ)	2.5	ON	ON	ON	OFF	OFF	ON
INTEL 180 MHZ	(60MHZ)	3	ON	ON	OFF	ON	ON	OFF
INTEL 200 MHZ	(66MHZ)	3	ON	ON	OFF	ON	OFF	ON

2. JP13 : BATTERY SELECTOR (BLACK JUMPER CAP)

	NORMAL	CLEAR CMOS
JP13	OFF (DEFAULT)	ON

☞ **CUSTOMER NEEDS TO CLEAR CMOS, THEN RECONFIGURE IT IF FORGETS PASSWORD FOR BIOS SETUP.**

3. OTHER JUMPER SETTINGS AND CONNECTORS :

IDE1

: PRIMARY IDE CONNECTOR.

IDE2 : SECONDARY IDE CONNECTOR

FDC1 : FLOPPY DISK CONNECTOR .

LPT1 : PARALLEL PORT CONNECTOR.

COM1 : SERIAL PORT 1 CONNECTOR.

COM2 : SERIAL PORT 2 CONNECTOR.

MOUSE : PS/2 MOUSE CONNECTOR.

KB1 : PS/2 KEYBOARD CONNECTOR.

CN1 : 8 BIT INTERNAL SCSI-2 CONNECTOR (OPTIONAL).

CN2 : 16 BIT WIDE SCSI-2 CONNECTOR (OPTIONAL).

NOTE : USB (UNIVERSAL SERIAL BUS) AND IRCON CONNECTOR ARE OPTIONAL.

4. J1 : USB (UNIVERSAL SERIAL BUS) CONNECTOR

USB PIN OUT			
USB1		USB2	
PIN1	+5V	PIN2	+5V
PIN3	USBP0-	PIN4	USBP1-
PIN5	USBP0+	PIN6	USBP1+
PIN7	GND	PIN8	GND

5. IR1 : IR (INFRARED) CONNECTOR

IRCON PIN OUT			
PIN 1	RX	PIN 2	GND
PIN 3	TX	PIN 4	+5V

NOTE:IR1 USES SAME I/O PORT AS COM2. THERE IS NO ANY HARDWARE JUMPER SETTING FOR IRCON/COM2 ON THIS MAIN BOARD BUT CUSTOMER NEEDS TO SET PROPER BIOS SETTING FOR "HPSIR", "ASKIR" OR "DISABLED"(DEFAULT) UNDER "INFRA RED (IR) FUNCTION" OF "INTEGRATED PERIPHERAL" ACCORDING TO THE FOLLOWING TABLE:

	HPSIR	ASKIR	DISABLED
(UNDER INTEGRATED PERIPHERALS) " INFRA RED (IR) FUNCTION "	USE HEWLETT PACKARD IR ON IRCON.	USE AMPLITUDE SHIFT KEYED IR ON IRCON .	USE COM2 (DEFAULT)