

# Intel® Desktop Board D845GVAD2 Quick Reference

---

*This guide is written for technically qualified personnel with experience installing and configuring desktop boards.*

## Before You Begin

Warning and Caution .....	3
Safety and Regulatory Notice .....	3

<b>Desktop Board Components</b> .....	4
---------------------------------------	---

<b>Supported Components</b> .....	5
-----------------------------------	---

## Installation Steps

1 Installing the I/O Shield .....	7
2 Installing the Desktop Board .....	7
3 Installing the Processor .....	8
4 Installing the Memory Modules .....	8
5 Connecting the Fans .....	9
6 Attaching the IDE Drives .....	10

<b>Using the BIOS Setup Program</b> .....	10
---	----

<b>Setting the BIOS Configuration Jumper Block</b> .....	11
--	----

<b>Troubleshooting Tips</b> .....	12
-----------------------------------	----

<b>Customer Support Links</b> .....	12
-------------------------------------	----

## Items on the Intel® Express Installer CD-ROM

- Product warranty
- Intel Express Installer
- *Intel® Desktop Board D845GVAD2 Product Guide*
- Software utilities and drivers
- Software license agreement
- Readme file

C14170-002



INFORMATION IN THIS DOCUMENT IS PROVIDED IN CONNECTION WITH INTEL® PRODUCTS. NO LICENSE, EXPRESS OR IMPLIED, BY ESTOPPEL OR OTHERWISE, TO ANY INTELLECTUAL PROPERTY RIGHTS IS GRANTED BY THIS DOCUMENT. EXCEPT AS PROVIDED IN INTEL'S TERMS AND CONDITIONS OF SALE FOR SUCH PRODUCTS, INTEL ASSUMES NO LIABILITY WHATSOEVER, AND INTEL DISCLAIMS ANY EXPRESS OR IMPLIED WARRANTY, RELATING TO SALE AND/OR USE OF INTEL PRODUCTS INCLUDING LIABILITY OR WARRANTIES RELATING TO FITNESS FOR A PARTICULAR PURPOSE, MERCHANTABILITY, OR INFRINGEMENT OF ANY PATENT, COPYRIGHT OR OTHER INTELLECTUAL PROPERTY RIGHT. INTEL PRODUCTS ARE NOT INTENDED FOR USE IN MEDICAL, LIFE SAVING, OR LIFE SUSTAINING APPLICATIONS. INTEL MAY MAKE CHANGES TO SPECIFICATIONS AND PRODUCT DESCRIPTIONS AT ANY TIME, WITHOUT NOTICE.

Desktop Board D845GVAD2 may contain design defects or errors known as errata which may cause the product to deviate from published specifications. Current characterized errata are available on request.

Contact your local Intel sales office or your distributor to obtain the latest specifications and before placing your product order.

Copies of documents which have an ordering number and are referenced in this document, or other Intel literature, may be obtained from Intel Corporation by going to the World Wide Web site at: <http://www.intel.com> or by calling 1-800-548-4725.

Intel, Celeron and Pentium are registered trademarks of Intel Corporation or its subsidiaries in the United States and other countries.

† Other names and brands may be claimed as the property of others.

Copyright © 2002, Intel Corporation

# Before You Begin

## Warning and Caution



### WARNING

*Disconnect the desktop board's power supply from its AC power source before you connect or disconnect cables, or install or remove any board components. Failure to do this can result in personal injury or equipment damage. Some circuitry on the desktop board can continue to operate even though the front panel power switch is off.*



### CAUTION

*Electrostatic discharge (ESD) can damage desktop board components. Install the board at an ESD-controlled workstation. If such a workstation is not available, wear an antistatic wrist strap or touch the surface of the antistatic package before handling the board.*



### CAUTION

*Many of the midboard and front panel connectors provide operating voltage (+5 V DC and +12 V DC, for example) to devices inside the computer chassis, such as fans and internal peripherals. These connectors are not overcurrent protected. Do not use these connectors for powering devices external to the computer chassis. A fault in the load presented by the external devices could cause damage to the computer, the interconnecting cables, and the external devices themselves.*

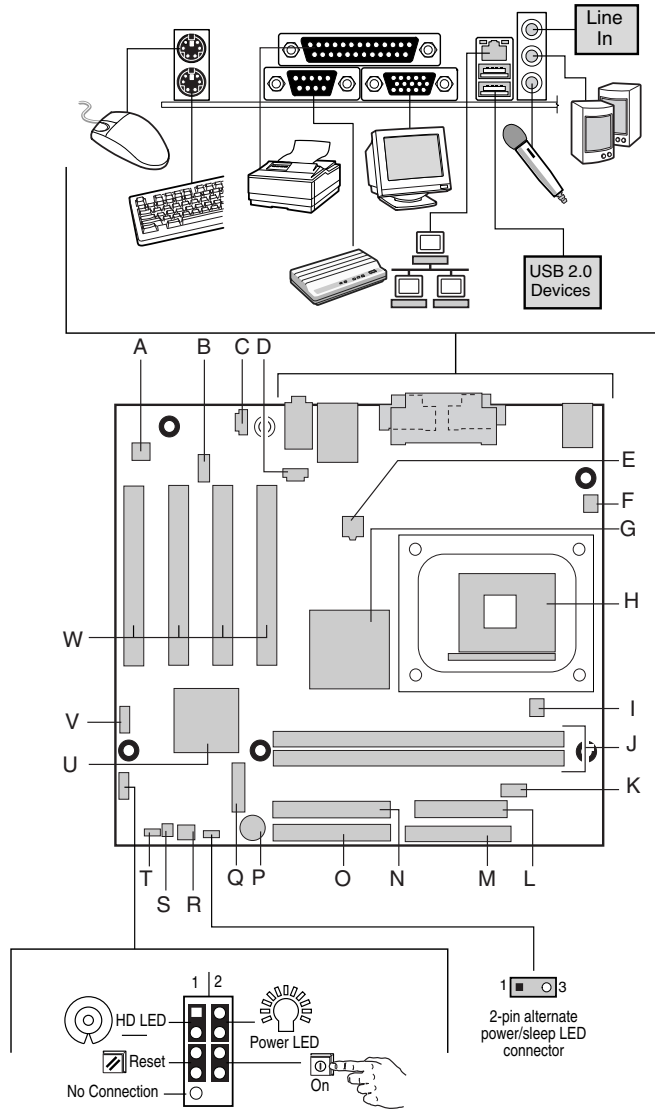
## Safety and Regulatory Notice

See the *Intel Desktop Board D845GVAD2 Product Guide* for all applicable regulatory compliance statements, product certification markings, and safety and electromagnetic compatibility (EMC) standards and regulations this desktop board is compliant with.

**Replacement battery warning label provided:** Place the label inside the chassis in an easy-to-see location near the battery but not on the board itself.

**Intended uses:** This product was evaluated as information technology equipment (ITE) for home or office use when installed into an appropriate computer chassis. Other end uses or locations may require further evaluation.

# Desktop Board Components



OM14565

continued

## Desktop Board Components (continued)

A Audio codec	M Diskette drive connector
B Front panel audio connector (optional)	N Secondary IDE connector
C Auxiliary line-in connector (ATAPI)	O Primary IDE connector
D CD-ROM connector (ATAPI)	P Speaker
E 12 V processor core voltage connector	Q Battery
F Rear chassis fan connector	R Front chassis fan connector
G Intel® Graphics Memory Controller Hub (GMCH)	S Chassis intrusion connector
H Processor socket	T BIOS configuration jumper
I Processor fan connector	U Intel® I/O Controller Hub (ICH4)
J DIMM sockets	V Front panel USB 2.0 connector
K Serial port B connector	W PCI bus add-in card connectors
L Power connector	



### CAUTION

*Failure to use an ATX12V or SFX-12V power supply, or not connecting the additional power supply lead to the Desktop Board D845GVAD2 may result in damage to the desktop board and/or power supply.*

*For more information on the ATX12V and SFX -12V power supply, refer to the Intel Desktop Board D845GVAD2 Product Guide on the Intel Express Installer CD-ROM.*

## Supported Components

### Processors

The Desktop Board D845GVAD2 supports the following processors:

Type	Designation	Front Side Bus Frequency	L2 Cache
Intel® Pentium® 4 processor on .13 micron process in an mPGA478 package	2.8, 2.66, 2.53, 2.4B, and 2.26 GHz	533 MHz	512 KB
	2.6, 2.5, 2.40, 2.20, 2A, 1.80A, and 1.60A GHz	400 MHz	512 KB
Intel Pentium 4 processor on .18 micron process in an mPGA478 package	2, 1.90, 1.80, 1.70, 1.60, 1.50, and 1.4 GHz	400 MHz	256 KB
Intel® Celeron® processor in an mPGA478 package	1.8 and 1.7 GHz	400 MHz	128 KB

For the latest information on processors supported by the Desktop Board D845GVAD2, refer to the Intel World Wide Web site at:

<http://support.intel.com/support/motherboards/desktop>

## Memory Module Requirements

Desktop Board D845GVAD2 supports system memory as defined below:

- Two 184-pin DIMMs
- 2.5 V, 266 MHz or 200 MHz DDR SDRAM interface
- Memory configurations up to 2 GB using 512 Mbit technology
- Serial Presence Detect (SPD)
- Suspend to RAM (STR)
- Non-ECC RAM (registered memory is not supported)
- Unbuffered and non registered single or double-sided DIMMs

The desktop board supports Serial Presence Detect (SPD), suspend to RAM (STR), and unbuffered, non-ECC RAM (registered memory is not supported).



### NOTES

*The Desktop Board D845GVAD2 has been designed to support DIMMs based on 512 Mbit technology up to 2 GB, but this technology has not been validated on this board.*

*All memory components and DIMMs used with the desktop board must comply with the PC SDRAM specifications. These include the PC SDRAM Specification (memory component specific), the PC Unbuffered DIMM Specification. To view or download these specifications, refer to this Intel World Wide Web site:*

<http://www.intel.com/technology/memory/pcsdram/>

*For information about vendors that support these memory requirements, refer to the Desktop Board D845GVAD2 link on this Intel World Wide Web site:*

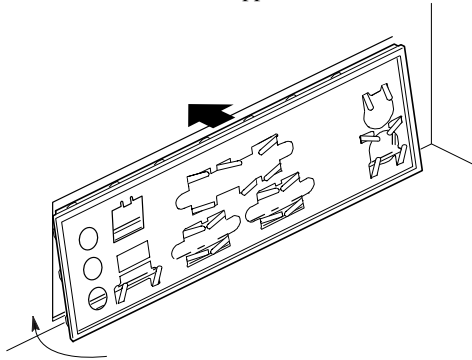
<http://support.intel.com/support/motherboards/desktop/>

# Installation Steps

## 1 Installing the I/O Shield

The desktop board comes with an I/O shield. When installed in the chassis, the shield blocks radio frequency transmissions, necessary to pass emissions (EMI) certification testing, protects internal components from dust and foreign objects, and promotes correct airflow within the chassis.

Install the I/O shield before installing the desktop board in the chassis. Place the shield inside the chassis as shown in the following figure. Press the shield into place so that it fits tightly and securely. If the shield doesn't fit, obtain a properly-sized shield from the chassis supplier.



OM13621

## 2 Installing the Desktop Board



### CAUTION

*Failure to use an ATX12V or SFX-12V power supply, or not connecting the additional power supply lead to the Desktop Board D845GVAD2 may result in damage to the desktop board and/or power supply.*

*For more information on the ATX12V and SFX-12V power supply, refer to the Intel Desktop Board D845GVAD2 Product Guide on the Intel Express Installer CD-ROM.*

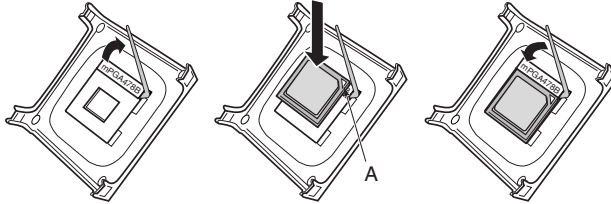
Refer to your chassis manual for specific instructions on installing and removing the desktop board. Secure the desktop board to the chassis standoffs using the screws.

Desktop Board D845GVAD2 is secured to the chassis with six screws. Refer to the illustration on page 4 for the location of the mounting holes.

### 3 Installing the Processor

To install the processor, follow these steps:

1. Observe the precautions in “Before You Begin” on page 3.
2. Lift the processor socket lever.
3. Install the processor so that the corner with the triangle marking (A) is aligned with the corner where the lever is attached to the socket.
4. Lower the lever back to its original position.



CM12078

5. The desktop board comes with an integrated processor heat sink retention mechanism (RM). For instructions on how to install the processor fan heat sink, refer to the boxed processor manual or the Intel customer support World Wide Web site:

<http://support.intel.com/support/processors/pentium4/intnotes478.htm>

### 4 Installing the Memory Modules



#### CAUTION

*Install memory in the DIMM sockets prior to installing a video card in PCI slot 1 to avoid interference with the memory retention mechanism.*

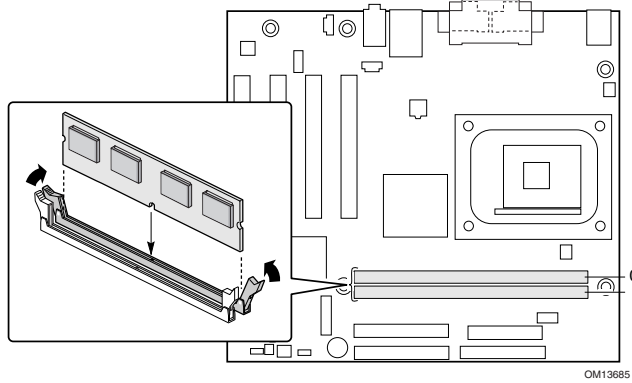
The two DIMM sockets on Desktop Board D845GVAD2 are arranged as DIMM 0 and DIMM 1, as shown in the figure below. If installing a single DIMM, install it in DIMM 0.

To install DIMMs, follow these steps:

1. Observe the precautions in “Before You Begin” on page 3.
2. Remove the PCI card from PCI slot 1 if it interferes with the DIMM clips from being easily opened and closed.
3. Align the small notch in the bottom edge of the DIMM with the key in the socket.
4. When the DIMM is inserted, push down on the top edge of the DIMM until the retaining clips snap into place. Make sure the clips are firmly in place.

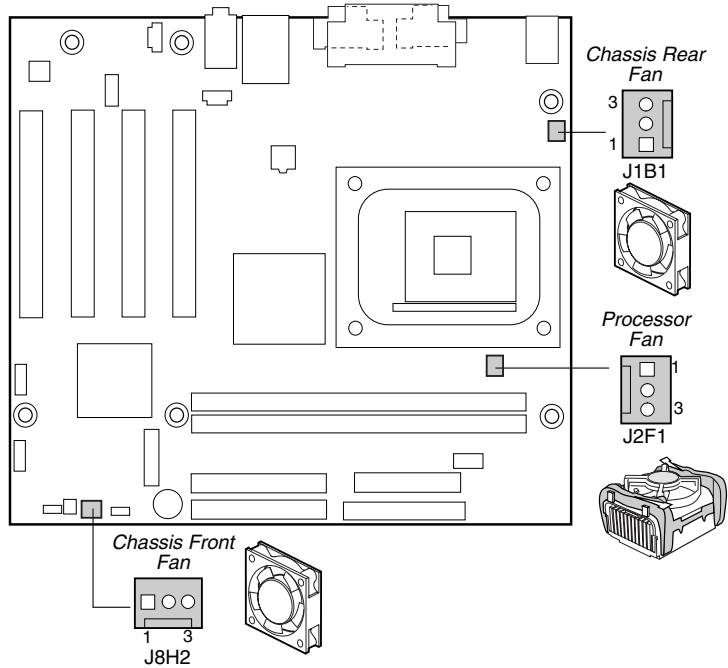


The figure below shows how to install DDR SDRAM DIMMs.



## 5 Connecting the Fans

The following figure shows the location of the fan connectors. Connect the processor's fan heat sink cable to the processor fan connector on the board. Connect the chassis fan cables to the board connectors as shown in the following figure.

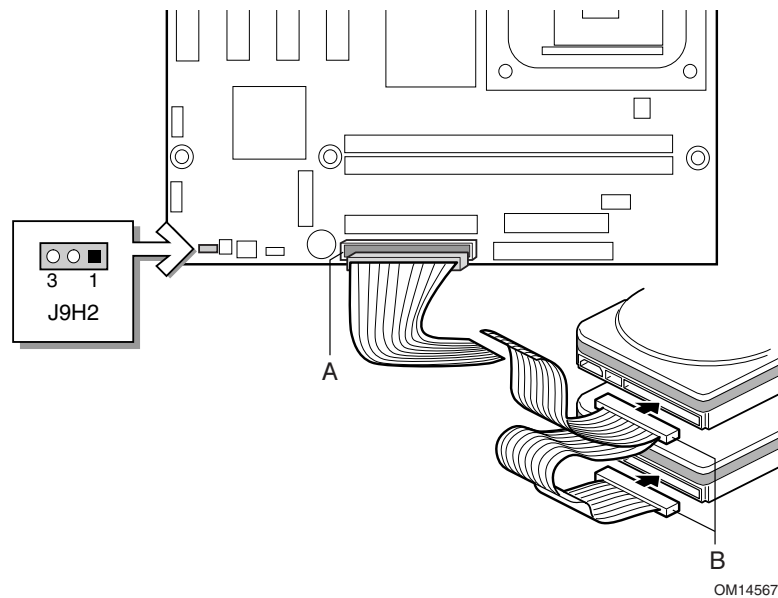


## 6 Attaching the IDE Drives

The Intel® boxed desktop board package includes an IDE cable. The cable can connect two drives to the desktop board. The cable supports the ATA-66/100 (40-contact, 80-conductor) transfer protocol and is backward compatible with drives using slower IDE transfer protocols.

The cable will work correctly only when oriented as shown in the following figure. For correct cable function:

1. Observe the precautions in “Before You Begin” on page 3.
2. Attach the cable end with the single connector (A) to the desktop board.
3. Attach the cable end with the two closely spaced connectors (B) to the drives.



## Using the BIOS Setup Program

The BIOS Setup program can be used to view and change the BIOS settings for the computer. The BIOS Setup program is accessed by pressing the <F2> key after the Power-On Self-Test (POST) memory test begins and before the operating system boot begins.

## Setting the BIOS Configuration Jumper Block



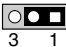
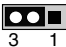

### CAUTION

*Always turn off the power and unplug the power cord from the computer before changing the jumper block settings. Moving the jumper with the power on may result in unreliable computer operation.*

The BIOS configuration jumper block determines the operating mode of the BIOS Setup Program and enables BIOS recovery in the event of a failed BIOS update (see the previous illustration for the location of the jumper block).

The following table describes the jumper block settings for the BIOS Setup configuration jumper.

#### BIOS Setup Configuration Jumper Block (J9H2) Settings

Jumper Setting	Mode	Description
	Normal (default) 1-2	The BIOS uses the current configuration and passwords for booting.
	Configure 2-3	After the Power-On Self-Test (POST) runs, the BIOS displays the Maintenance Menu. Use this menu to clear passwords.
	Recovery None	The BIOS recovers data from a recovery diskette in the event of a failed BIOS update.*

\*To update or recover the BIOS, see the instructions in the Intel Desktop Board D845GVAD2 Product Guide on the Intel Express Installer CD-ROM.

For a complete list of BIOS Setup settings, see:

- The *Intel Desktop Board D845GVAD2 Product Guide* on the Intel Express Installer CD-ROM
- The Intel World Wide Web Site at <http://support.intel.com/support/motherboards/desktop/>

## Troubleshooting Tips

### Desktop Board D845GVAD2 system fails to boot

- Ensure that the power supply cable with the 4-pin connector is plugged into the 12 V processor core voltage connector located near the processor socket on the desktop board.
- Remove and re-insert the Intel Pentium 4 processor, memory, and any add-in cards to make sure they are fully seated. Remove any non-essential hardware components and boot the system.
- Disconnect all power and remove the CMOS battery. Wait 10 minutes, then re-install the battery, reconnect power, and boot the system.

### A repeating beep error code is heard and the desktop board does not boot or show any video

This beep code may indicate a problem during detection of the DDR SDRAM memory device. Check to ensure that system memory is properly installed and that the DIMMs meet the Memory Module Requirements listed in the Supported Components section of this document.

### Resolving slow boot times

Extended boot time can be the result of IDE drive jumper configuration. For additional information visit:

<http://support.intel.com/support/motherboards/desktop/slowboot.htm>

## Customer Support Links

View or download product support information from Intel's World Wide Web site:

<http://support.intel.com/support/motherboards/desktop/>

Follow the link to your Intel Desktop Board for the following information:

- Known Issues and Solutions
- Software and Drivers (latest BIOS and driver updates)
- Compatibility (supported Intel® processors and memory information)
- Product Documentation
  - Technical Product Specification
  - Specification Update
  - Quick Reference Guide

The Intel World Wide Web site also includes telephone numbers for Intel customer support:

- Intel Customer Support World Wide Phone Numbers:

<http://support.intel.com/support/9089.htm>

- Intel Desktop Board Email Support Form:

[http://support.intel.com/support/motherboards/mobo\\_form.htm](http://support.intel.com/support/motherboards/mobo_form.htm)

If you can't find the information you need on the Web, contact your point of purchase.

# Intel® 桌面主板 D845GVAD2 快速参考指南

---

本指南仅供具备安装和配置桌面主板经验的合格技术人员使用。

## 开始之前

警告与注意事项.....	3
安全和规范通告.....	3

桌面主板组件.....	4
-------------	---

支持的组件.....	5
------------	---

## 安装步骤

1 安装 I/O 防护板.....	7
2 安装桌面主板.....	7
3 安装处理器.....	8
4 安装内存模块.....	8
5 连接风扇.....	9
6 安装 IDE 驱动器.....	10

使用 BIOS Setup（设置）程序.....	10
--------------------------	----

设置 BIOS 配置跳线块.....	11
--------------------	----

故障排除提示.....	12
-------------	----

客户支持链接.....	12
-------------	----

## Intel® Express Installer（Intel 快速安装程序）光盘上提供的项目

- 产品保修书
- Intel Express Installer（Intel 快速安装程序）
- Intel® 桌面主板 D845GVAD2 产品指南
- 软件实用程序和驱动程序
- 软件许可证协议
- 自述文件

本档提供有关 INTEL® 产品的信息。本档并未授予任何知识产权的许可，并未以明示或暗示，或以禁止反言或其它方式授予任何知识产权许可。除 INTEL 在其产品的销售条款和条件中声明的责任之外，INTEL 概不承担任何其它责任。并且，INTEL 对 INTEL 产品的销售和 / 或使用不作任何明示或暗示的担保，包括对产品的特定用途适用性、适销性或对任何专利权、版权或其它知识产权的侵权责任等，均不作担保。INTEL 产品并非设计用于医疗、救生或维生等用途。INTEL 可能随时对产品规格及产品描述作出修改，恕不另行通知。

桌面主板 D845GVAD2 可能包含某些设计缺陷或错误，一经发现将收入勘误表，并因此可能导致产品与已出版的规格有所差异。如客户索取，可提供最新的勘误表。

在订购产品之前，请您与当地的 Intel 销售处或分销商联系，以获取最新的规格说明。

本档中提及的含有订购号的文档以及其它 Intel 文献可通过访问 Intel Corporation 的万维网站点获得。网址是：<http://www.intel.com> 或致电 1-800-548-4725 索取。

Intel、Celeron 和 Pentium 是 Intel Corporation 或其子公司在美国及其它国家的注册商标。

† 其它名称和品牌分别为其相应所有者的财产。

Copyright © 2002, Intel Corporation

## 开始之前

### 警告与注意事项



#### 警告

在连接或断开电缆、安装或拆卸任何桌面主板组件之前，请将桌面主板的交流电源切断。否则，可能会导致人身伤害或损坏设备。即使在关闭前面板电源开关以后，桌面主板上的某些电路仍可能继续带电。



#### 注意

静电放电 (ESD) 能损坏桌面主板的组件。请在控制 ESD 的工作台上安装本桌面主板。如果没有防静电工作台可用，请在接触桌面主板之前佩戴防静电腕带或触摸防静电包的表面。



#### 注意

许多中间板和前面板连接器为计算机机箱内的设备（如风扇和内部的外围设备）提供工作电压，例如直流 +5 V 和直流 +12 V 电压。这些连接器不具备电流过载保护功能。请不要使用这些连接器为计算机机箱外的设备提供电源。由外部设备产生的负载故障可能会损坏计算机、互连电缆和外部设备自身。

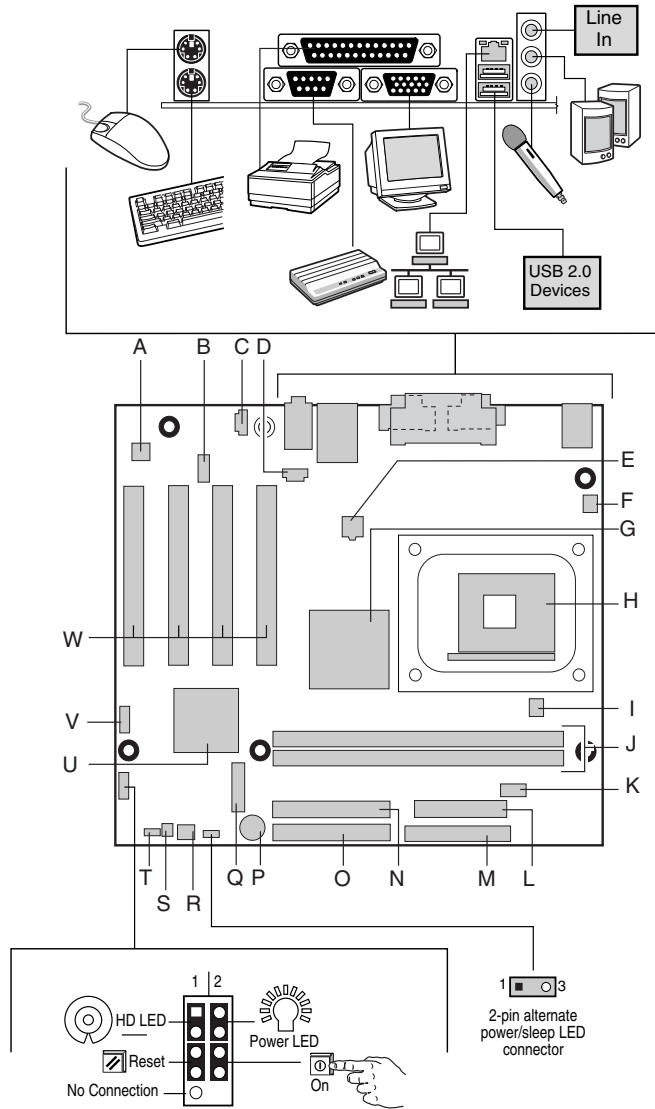
### 安全和规范通告

有关此产品符合的所有标准及规范的声明、产品认证标识、安全与电磁兼容性 (EMC) 标准以及所符合的各种规范及规章等详情，请参阅《Intel 桌面主板 D845GVAD2 产品指南》。

提供的更换电池警告标签：请将此标签贴在机箱内靠近电池且显眼的位置，注意不要贴在桌面母板上。

设计应用领域：此产品经过评估测试，认定为信息技术设备 (ITE)，可安装于家用和商用个人计算机机箱中。但此产品在其它应用领域或应用环境下的适用性，有待进一步鉴定。

# 桌面主板组件



OM14565

待续



## 桌面主板组件（续）

A 音频编解码器	M 软盘驱动器连接器
B 前面板音频连接器（可选）	N 次 IDE 连接器
C 辅助线路输入连接器 (ATAPI)	O 主 IDE 连接器
D CD-ROM 连接器 (ATAPI)	P 扬声器
E 12 V 处理器内核电压连接器	Q 电池
F 机箱背面风扇连接器	R 机箱前面风扇连接器
G Intel® 图形和内存控制器枢纽 (GMCH)	S 机箱开启连接器
H 处理器插座	T BIOS 配置跳线
I 处理器风扇连接器	U Intel® I/O 控制器枢纽 (ICH4)
J DIMM 插座	V 前面板 USB 2.0 连接器
K 串行端口 B 连接器	W PCI 总线附加卡连接器
L 电源连接器	



### 注意

若未使用 ATX12V 或 SFX-12V 电源系统，或未为桌面主板 D845GVAD2 连接附加电源系统引线，可能会对桌面主板和 / 或电源系统造成损害。

有关 ATX12V 和 SFX -12V 电源系统的详情，请参阅 Intel Express Installer（Intel 快速安装程序）光盘上的《Intel 桌面主板 D845GVAD2 产品指南》。

## 支持的组件

### 处理器

桌面主板 D845GVAD2 支持以下处理器：

类型	频率标志	前端总线频率	二级高速缓存
Intel® Pentium® 4 处理器，采用 .13 微米工艺及 mPGA478 封装	2.8、2.66、2.53、2.4B 和 2.26 GHz	533 MHz	512 KB
	2.6、2.5、2.40、2.20、2A、1.80A 和 1.60A GHz	400 MHz	512 KB
Intel Pentium 4 处理器，采用 .18 微米工艺及 mPGA478 封装	2、1.90、1.80、1.70、1.60、1.50 和 1.4 GHz	400 MHz	256 KB
Intel® Celeron® 处理器，采用 mPGA478 封装	1.8 和 1.7 GHz	400 MHz	128 KB

有关桌面主板 D845GVAD2 所支持处理器的最新信息，请访问以下 Intel 万维网站点：

<http://support.intel.com/support/motherboards/desktop>

### 内存模块要求

桌面主板 D845GVAD2 支持如下定义的系统内存：

- 两个 184 针双列直插式内存模块 (DIMM)
- 2.5 V、266 MHz 或 200 MHz DDR SDRAM 接口
- 采用 512 Mbit 内存模块最多可支持配置 2 GB 的内存容量
- 串行设备检测 (SPD)
- 挂起到 RAM (STR)
- 非 ECC (错误校正) RAM 内存模块 (不支持寄存式内存)
- 无缓冲和无寄存单面或双面 DIMM

本桌面主板支持安装串行设备检测 (SPD)、挂起到 RAM (STR) 和无缓冲、非 ECC (错误校正) RAM 内存模块 (不支持寄存式内存)。



#### 注释

根据桌面主板 D845GVAD2 的设计，可支持安装 512 Mbit 的 DIMM 内存模块，最高内存容量可达 2 GB，但此技术在本主板上的应用尚未得到验证。

本桌面主板使用的所有内存组件和 DIMM 都必须符合 PC SDRAM 规格。包括 PC SDRAM 规格 (内存组件规格) 和 PC 无缓冲 DIMM 规格。欲查看或下载这些规格，请访问以下 Intel 万维网站点：

<http://www.intel.com/technology/memory/pcsdram/>

有关支持这些内存要求的产品供应商详情，请访问以下 Intel 万维网站点中的 D845GVAD2 链接：

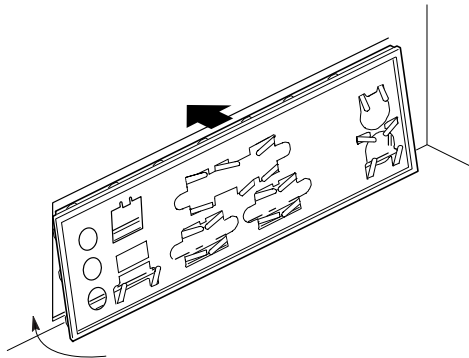
<http://support.intel.com/support/motherboards/desktop/>

## 安装步骤

### 1 安装 I/O 防护板

随本桌面主板提供了一块 I/O 防护板。在机箱中安装此防护板后，可阻挡无线电射频向外传播，这是产品获得电磁干扰 (EMI) 合格认证的必要条件。同时此防护板保护内部组件免受灰尘及异物侵害，并可促进空气在机箱内正确流通。

在向机箱中安装桌面主板之前，应先安装 I/O 防护板。如下图所示，将防护板放入机箱中。推压防护板，使其紧固到位。如果防护板不适合机箱的尺寸，请从机箱供应商处获取尺寸合适的防护板。



OM13621

### 2 安装桌面主板



#### 注意

若未使用 ATX12V 或 SFX-12V 电源系统，或未为桌面主板 D845GVAD2 连接附加电源系统引线，可能会对桌面主板和 / 或电源系统造成损害。

有关 ATX12V 和 SFX-12V 电源系统的详情，请参阅 Intel Express Installer (Intel 快速安装程序) 光盘上的《Intel 桌面主板 D845GVAD2 产品指南》。

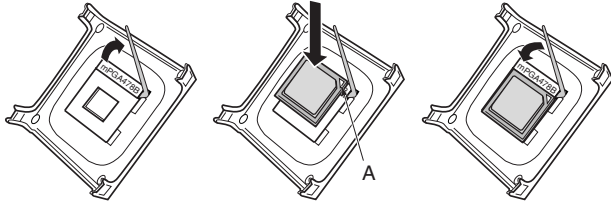
有关安装和拆卸桌面主板的具体说明，请参阅机箱手册。使用螺丝将桌面主板固定在机箱的支撑立柱上。

桌面主板 D845GVAD2 需要使用六颗螺丝固定到机箱内。有关安装孔位置的信息，请参阅第 4 页的母板图示。

### 3 安装处理器

要安装处理器，请按下列步骤操作：

1. 请遵守“开始之前”中的注意事项（参阅第 3 页）。
2. 将处理器插座的拉杆完全抬起。
3. 让处理器上有三角标志的一角 (A) 与插座上连接拉杆的一角对齐，将处理器插入插座中。
4. 将拉杆按回原位。



CM12078

5. 随本桌面主板提供了一个集成的处理器散热器固定架 (RM)。有关安装处理器风扇散热器的说明，请参阅产品包装盒中附送的处理器手册，或访问以下 Intel 客户支持万维网站点：  
<http://support.intel.com/support/processors/pentium4/intnotes478.htm>

### 4 安装内存模块



注意

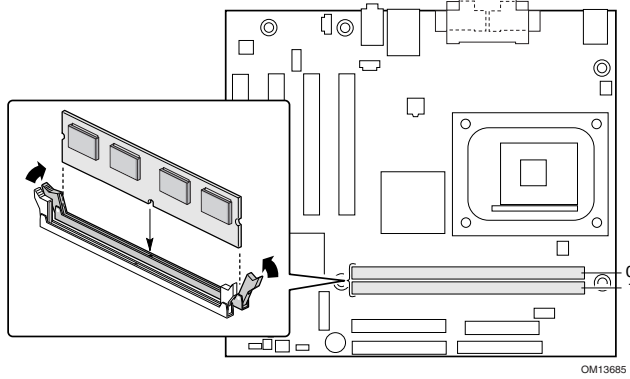
在向 PCI 插槽 1 中安装视频卡之前，请先将内存安装到 DIMM 插座上，以避免内存固定架妨碍您的操作。

桌面主板 D845GVAD2 上有两个 DIMM 插座，按下图所示的 DIMM 0 和 DIMM 1 布局。如果只安装一条 DIMM 内存模块，请将其安装在 DIMM 0 中。

要安装 DIMM（双列直插式内存模块），请按以下步骤操作：

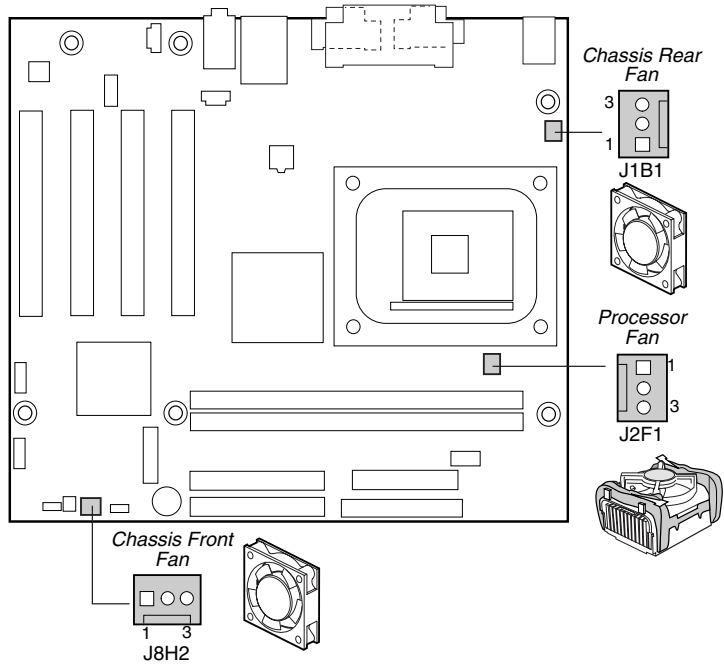
1. 请遵守“开始之前”中的注意事项（参阅第 3 页）。
2. 若 PCI 卡妨碍您打开和关闭 DIMM 卡固销子，请从 PCI 插槽 1 中卸下 PCI 卡。
3. 将 DIMM 底边的小凹口与插座上的卡固销子对齐。
4. 插入 DIMM 期间，按住 DIMM 的顶边向下推压，直到卡固销子将其卡固到位。确保销子已牢牢夹紧。

下图显示了安装 DDR SDRAM DIMM 内存模块的方法。



## 5 连接风扇

下图显示了风扇连接器的位置。将处理器风扇散热器电缆连接到桌面主板上的处理器风扇连接器中。将机箱风扇电缆连接到桌面主板上的连接器中（如下图所示）。

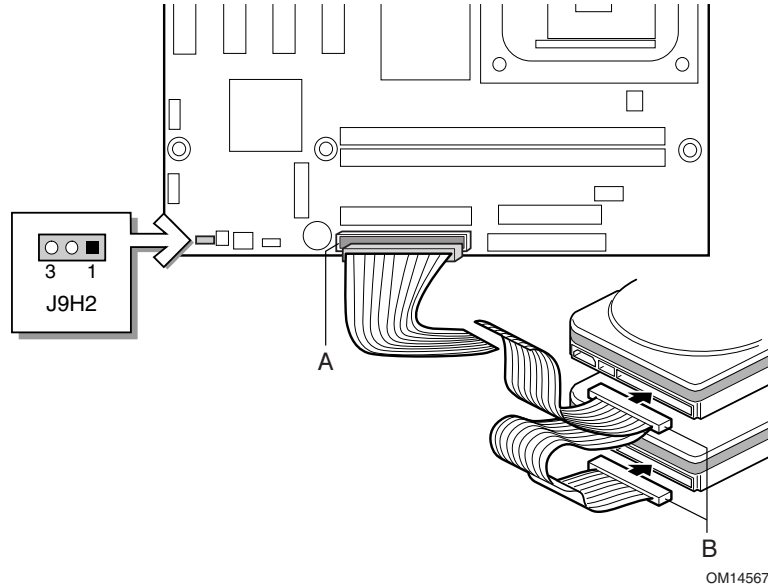


## 6 安装 IDE 驱动器

Intel® 桌面母板的包装中包括一条 IDE 电缆。该电缆可将两个驱动器连接到桌面母板上。该电缆支持 ATA-66/100（40 触点 80 芯电缆）传输协议，并向后兼容使用更慢速 IDE 传输协议的驱动器。

如下图所示调整好电缆的方向后，电缆才能正常工作。要使电缆正常工作：

1. 请遵守“开始之前”中的注意事项（参阅第 3 页）。
2. 将电缆带有单连接器的一端 (A) 连接到桌面母板上。
3. 将电缆带有相邻双连接器的一端 (B) 连接到驱动器上。



## 使用 BIOS Setup（设置）程序

BIOS Setup（设置）程序可用于查看和更改计算机的 BIOS 设置。在开机自检 (POST) 内存测试开始之后、操作系统启动之前，按 <F2> 键可以进入 BIOS Setup（设置）程序。

## 设置 BIOS 配置跳线块



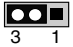
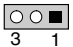
### 注意

更改跳线块设置之前，必须先关闭计算机电源，并从计算机上拔下电源电缆。若在计算机处于通电状态下调整跳线，可能导致计算机运行不稳定。

BIOS 配置跳线块决定 BIOS Setup（设置）程序的工作模式，且在 BIOS 更新失败时可进行 BIOS 恢复（有关跳线块位置的信息，请参见以上图示）。

下表列出了 BIOS Setup（设置）程序配置跳线的跳线块设置。

### BIOS Setup（设置）程序配置跳线块 (J9H2) 的设置

跳线设置	模式	说明
	正常（默认） 1-2	BIOS 使用当前配置信息和口令来启动系统。
	配置 2-3	开机自检 (POST) 运行后，BIOS 显示 Maintenance（维护）菜单。通过此菜单可清除口令。
	恢复 （无插接）	如果更新 BIOS 失败，BIOS 将从一张恢复软盘中恢复原来的 BIOS 设置数据。*

\* 要升级或恢复 BIOS，请参阅 Intel Express Installer（Intel 快速安装程序）光盘上的《Intel 桌面主板 D845GVAD2 产品指南》。

要查阅 BIOS Setup（设置）程序各项设置的完整列表，请参阅：

- Intel Express Installer（Intel 快速安装程序）光盘上的《Intel 桌面主板 D845GVAD2 产品指南》
- 或访问以下 Intel 万维网站点：  
<http://support.intel.com/support/motherboards/desktop/>

## 故障排除提示

### 桌面主板 D845GVAD2 启动失败

- 确保具有 4 针连接器的电源系统电缆插头已正确插入 12 V 处理器核心电压连接器内，此连接器位于桌面母板上靠近处理器插座的位置。
- 拆卸并重新插入 Intel Pentium 4 处理器、内存和任何附加卡，并确保将它们完全插入到位。卸下任何非基本的硬件组件，启动系统。
- 断开所有电源电缆，取出 CMOS 电池。等待 10 分钟，然后重新装入电池，重新连接好电源电缆，并启动系统。

听到重复的笛音错误信号，桌面主板不启动或显示器上没有任何显示。此笛音码指示在检测 DDR SDRAM 内存设备期间可能出现了问题。检查并确保已正确安装系统内存，而且所安装的 DIMM 内存模块符合本文档“支持的组件”一节中在主题“内存模块要求”下所列的规格。

### 解决启动缓慢问题

启动时间延长可能是由于对 IDE 驱动器跳线的配置不当所致。有关更详细信息，请访问以下万维网站点：

<http://support.intel.com/support/motherboards/desktop/slowboot.htm>

## 客户支持链接

您可从以下 Intel 万维网站点查看或下载本产品的支持信息：

<http://support.intel.com/support/motherboards/desktop/>

请通过链接进入您所使用的 Intel 桌面母板的页面，以获取以下信息：

- 已知问题及解决方法
- 软件和驱动程序（最新 BIOS 和驱动程序更新）
- 兼容性（有关所支持的 Intel® 处理器和内存的信息）
- 产品文档
  - 产品技术规格
  - 产品规格更新
  - 快速参考指南

在 Intel 万维网站点上也包括 Intel 客户支持的电话号码：

- Intel 客户支持全球电话号码：  
<http://support.intel.com/support/9089.htm>
- Intel 桌面主板电子邮件支持表格：  
[http://support.intel.com/support/motherboards/mobo\\_form.htm](http://support.intel.com/support/motherboards/mobo_form.htm)

如果在万维网上找不到所需的信息，请与您的经销商联系。



# Płyta główna D845GVAD2 firmy Intel®

## Skrócony opis

---

*Niniejszy podręcznik jest przeznaczony dla wykwalifikowanego personelu działu technicznego posiadającego doświadczenie w instalowaniu i konfigurowaniu płyt głównych.*

<b>Zanim rozpoczniesz</b> .....	3
Ostrzeżenia i uwagi.....	3
Uwaga dotycząca bezpieczeństwa i obowiązujących przepisów .....	3
<b>Podzespoły płyty głównej</b> .....	4
<b>Obsługiwane podzespoły</b> .....	5
<b>Czynności instalacyjne</b> .....	7
1 Instalowanie ekranu portów We/Wy.....	7
2 Instalowanie płyty głównej .....	7
3 Instalowanie procesora .....	8
4 Instalowanie modułów pamięci.....	8
5 Podłączanie wentylatorów.....	9
6 Podłączanie dysków IDE.....	10
<b>Korzystanie z programu konfiguracyjnego BIOS Setup</b> .....	10
<b>Ustawianie zworek na listwie zworek konfiguracyjnych systemu BIOS</b> .....	11
<b>Wskazówki dotyczące rozwiązywania problemów</b> .....	12
<b>Łącza do witryny sieci Web działu obsługi klienta</b> .....	12
<b>Zawartość dysku CD-ROM z programem Express Installer firmy Intel®</b>	
• Gwarancja produktu	
• Program Express Installer firmy Intel	
• <i>Podręcznik użytkownika płyty głównej D845GVAD2 firmy Intel®</i>	
• Programy narzędziowe i sterowniki	
• Umowa licencyjna oprogramowania	
• Plik Readme	

INFORMACJE ZAWARTE W TYM DOKUMENCIE DOTYCZĄ PRODUKTÓW FIRMY INTEL®. TEN DOKUMENT NIE POWODUJE NADANIA GWARANCJI ANI RĘKOJMI PRZEZ ESTOPPEL ANI W INNY SPOSÓB ODNOŚNIE JAKICHKOLWIEK PRAW WŁASNOŚCI INTELEKTUALNEJ. O ILE NIE OKREŚLONO TEGO INACZEJ W POSTANOWIENIACH I WARUNKACH SPRZEDAŻY OKREŚLONYCH PRODUKTÓW FIRMY INTEL, FIRMA INTEL NIE BIERZE ŻADNEJ ODPOWIEDZIALNOŚCI ANI NIE UDZIELA ŻADNYCH GWARANCJI ANI RĘKOJMI DOTYCZĄCYCH SPRZEDAŻY I/LUB UŻYTKOWANIA PRODUKTÓW FIRMY INTEL. DOTYCZY TO TAKŻE ODPOWIEDZIALNOŚCI I GWARANCJI ODNOSZĄCYCH SIĘ DO PRZYDATNOŚCI DO OKREŚLONEGO CELU, PRZYDATNOŚCI HANDLOWEJ ORAZ NARUSZALNOŚCI JAKICHKOLWIEK PATENTÓW, PRAW AUTORSKICH LUB INNYCH PRAW WŁASNOŚCI INTELEKTUALNEJ. PRODUKTY FIRMY INTEL NIE SĄ PRZEZNACZONE DO ZASTOSOWAŃ MEDYCZNYCH LUB MAJĄCYCH NA CELU RATOWANIE LUB PODTRZYMYWANIE ŻYCIA. FIRMA INTEL MOŻE DOKONAĆ ZMIAN W SPECYFIKACJACH I OPISACH PRODUKTÓW W DOWOLNYM CZASIE I BEZ UPRZEDNIEGO POWIADOMIENIA.

Efektym występowania opisanych w erracie wad projektowych i błędów płyty głównej D845GVAD2 może być działanie produktu odbiegające od opisu w opublikowanej specyfikacji. Bieżącą wersję erraty można uzyskać na żądanie.

Skontaktuj się z lokalnym przedstawicielem firmy Intel lub ze swoim dystrybutorem, aby przed złożeniem zamówienia na produkt uzyskać najnowszą wersję specyfikacji.

Kopie oznaczonych numerami porządkowymi dokumentów, do których występują odniesienia w tym dokumencie, a także inne publikacje firmy Intel można uzyskać w witrynie sieci Web firmy Intel Corporation pod adresem: <http://www.intel.com> lub zamówić telefonicznie, dzwoniąc pod numer 1-800-548-4725.

Intel, Celeron i Pentium to zastrzeżone znaki towarowe firmy Intel Corporation lub jej podmiotów zależnych w Stanach Zjednoczonych i w innych krajach.

† Pozostałe nazwy i znaki towarowe mogą stanowić własność innych firm.

Copyright © 2002, Intel Corporation

# Zanim rozpoczniesz

## Ostrzeżenia i uwagi



### OSTRZEŻENIE

*Przed podłączeniem lub odłączeniem kabli albo zainstalowaniem lub usunięciem jakiegokolwiek podzespołu płyty głównej należy odłączyć zasilacz płyty od źródła prądu zmiennego. Niewykonanie tej czynności może być przyczyną obrażeń ciała lub uszkodzenia sprzętu. Niektóre układy na płycie głównej mogą działać nawet wówczas, gdy przełącznik zasilania znajdujący się na panelu przednim jest wyłączony.*



### UWAGA

*Wylądowanie elektrostatyczne może spowodować uszkodzenie podzespołów płyty głównej. Płytę główną należy zainstalować na stanowisku oferującym zabezpieczenie przed wylądowaniami elektrostatycznymi. Jeśli takie stanowisko nie jest dostępne, należy przed dotknięciem płyty założyć antystatyczną opaskę na nadgarstek lub dotknąć powierzchni pakietu antystatycznego.*



### UWAGA

*Wiele złączy na samej płycie i panelu przednim służy do dostarczania zasilania (na przykład napięcie +5 V DC lub +12 V DC) dla urządzeń wewnątrz obudowy komputera, takich jak wentylatory lub wewnętrzne urządzenia peryferyjne. Złącza te nie są zabezpieczone przed przeciążeniem. Nie należy używać tych złączy do zasilania urządzeń znajdujących się na zewnątrz obudowy komputera. Nieprawidłowe obciążenie złącza przez urządzenie zewnętrzne może spowodować uszkodzenie komputera, kabli połączeniowych, a także samego urządzenia zewnętrznego.*

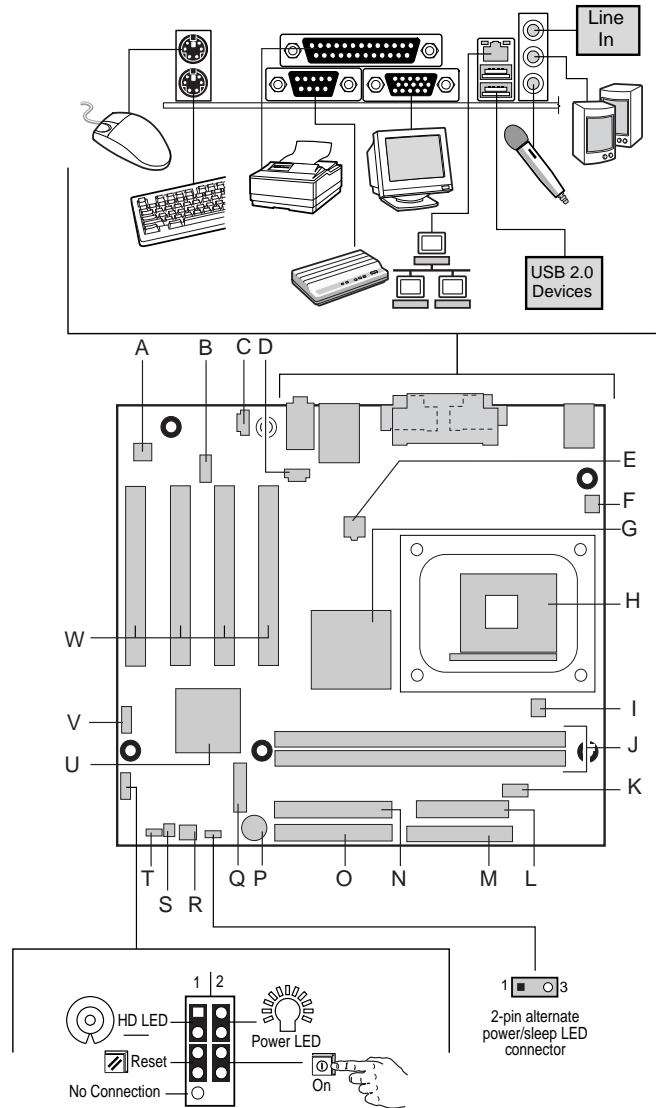
## Uwaga dotycząca bezpieczeństwa i obowiązujących przepisów

W dokumencie *Podręcznik użytkownika płyty głównej D845GVAD2 firmy Intel®* można znaleźć wszystkie odpowiednie oświadczenia dotyczące zgodności z przepisami, oznaczenia certyfikacji produktów oraz informacje na temat bezpieczeństwa oraz norm zgodności elektromagnetycznej (EMC), z którymi zgodna jest niniejsza płyta główna.

**Etykieta z ostrzeżeniem dotyczącym wymiany baterii:** Należy umieścić tę etykietę w widocznym miejscu wewnątrz obudowy w pobliżu baterii, lecz nie na samej płycie głównej.

**Przeznaczenie:** Ten produkt został zaklasyfikowany jako sprzęt informatyczny (information technology equipment, ITE) przeznaczony do użytku w domu lub w biurze, pod warunkiem, że zostanie zainstalowany w odpowiedniej obudowie komputerowej. Wykorzystanie tego produktu w inny sposób lub w innych miejscach może wymagać przeprowadzenia dodatkowych badań.

## Podzespoły płyty głównej



OM14565

cdn.

## Podzespoły płyty głównej (ciąg dalszy)

A Koder-dekoder audio	M Złącze stacji dyskietek
B Złącze audio na panelu przednim (opcjonalne)	N Drugie złącze IDE
C Pomocnicze złącze wejściowe (ATAPI)	O Pierwsze złącze IDE
D Złącze stacji CD-ROM (ATAPI)	P Głośnik
E Główne złącze napięcia 12 V dla procesora	Q Bateria
F Złącze tylnego wentylatora obudowy	R Złącze przedniego wentylatora obudowy
G Koncentrator kontrolera pamięci grafiki (Graphics Memory Controller Hub, GMCH) firmy Intel®	S Złącze czujnika otwarcia obudowy
H Gniazdo procesora	T Zworka konfiguracyjna systemu BIOS
I Złącze wentylatora procesora	U Koncentrator kontrolera We/Wy (ICH4) firmy Intel®
J Gniazda pamięci DIMM	V Złącze USB 2.0 na panelu przednim
K Złącze portu szeregowego B	W Złącza magistrali PCI dla kart rozszerzeń
L Złącze zasilania	



### UWAGA

Użycie zasilacza innego niż zasilacz ATX lub SFX o napięciu 12 V albo niepodłączenie do płyty głównej D845GVAD2 dodatkowego przewodu zasilającego może spowodować uszkodzenie płyty głównej i/lub zasilacza.

Więcej informacji na temat zasilaczy ATX i SFX o napięciu 12 V można znaleźć w dokumencie Podręcznik użytkownika płyty głównej D845GVAD2 firmy Intel, który znajduje się na dysku CD-ROM z programem Express Installer firmy Intel.

## Obsługiwane podzespoły

### Procesory

Płyta główna D845GVAD2 obsługuje następujące procesory:

Typ	Oznaczenie	Częstotliwość magistrali zewnętrznej FSB	Pamięć podręczna L2
Procesor Intel® Pentium® 4 wykonany w technologii 0,13 mikrona w obudowie mPGA478	2,8; 2,66; 2,53; 2,4B oraz 2,26 GHz	533 MHz	512 KB
	2,6; 2,5; 2,40; 2,20; 2A; 1,80A oraz 1,60A GHz	400 MHz	512 KB
Procesor Intel Pentium 4 wykonany w technologii 0,18 mikrona w obudowie mPGA478	2; 1,90; 1,80; 1,70; 1,60; 1,50 i 1,4 GHz	400 MHz	256 KB
Procesor Intel® Celeron® w obudowie mPGA478	1,8 i 1,7 GHz	400 MHz	128 KB

Najnowsze informacje na temat procesorów obsługiwanych przez płytę główną D845GVAD2 można znaleźć w witrynie sieci Web firmy Intel pod adresem:

<http://support.intel.com/support/motherboards/desktop>

### **Wymagania dotyczące Modułu pamięci**

Płyta główna D845GVAD2 obsługuje pamięć systemową zgodnie z następującą specyfikacją:

- dwa 184-stykowe moduły pamięci DIMM;
- interfejs pamięci DDR SDRAM dla napięcia 2,5 V i częstotliwości 266 MHz lub 200 MHz;
- konfiguracje modułów pamięci o pojemności do 2 GB zbudowanych w technologii 512 Mbit;
- moduły pamięci typu SPD (Serial Presence Detect);
- tryb zawieszenia z wykorzystaniem pamięci RAM (Suspend to RAM, STR);
- pamięć RAM typu Non-ECC (nie jest obsługiwana pamięć typu Registered);
- jedno- lub dwustronne moduły typu Unbuffered non-registered DIMM.

Płyta główna obsługuje pamięć typu SPD (Serial Presence Detect), tryb zawieszenia z wykorzystaniem pamięci RAM (suspend to RAM, STR), oraz pamięci RAM typu Unbuffered non-ECC (nie jest obsługiwana pamięć typu Registered).



### **UWAGI**

*Płyta główna D845GVAD2 została zaprojektowana z myślą o obsłudze modułów pamięci typu DIMM zbudowanych w technologii 512 Mbit o pojemności do 2 GB, lecz możliwość ta nie została sprawdzona.*

*Wszystkie stosowane z niniejszą płytą główną składniki pamięci i moduły DIMM muszą być zgodne ze specyfikacjami pamięci PC SDRAM. Dotyczy to specyfikacji pamięci PC SDRAM (specyficznej dla określonego składnika pamięci) i specyfikacji PC Unbuffered DIMM. Specyfikacje te można wyświetlić lub pobrać w witrynie sieci Web firmy Intel pod adresem:*

*<http://www.intel.com/technology/memory/pcsdram/>*

*Informacje na temat dostawców sprzętu zgodnego z tymi wymaganiami dotyczącymi pamięci można znaleźć korzystając z łącza do strony sieci Web z opisem płyty głównej D845PESV znajdującego się w witrynie sieci Web firmy Intel pod adresem:*

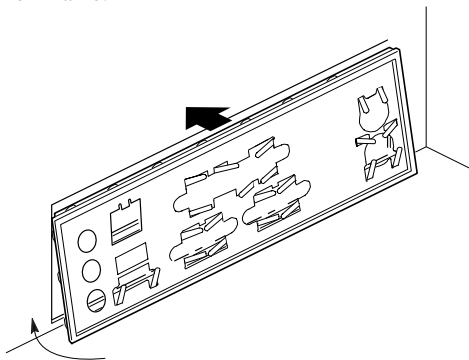
*<http://support.intel.com/support/motherboards/desktop/>*

## Czynności instalacyjne

### 1 Instalowanie ekranu portów We/Wy

Niniejsza płyta główna jest dostarczana z ekranem portów We/Wy. Po zainstalowaniu w obudowie ekran ten zapobiega szkodliwym skutkom działania fal elektromagnetycznych o częstotliwościach radiowych (jest to wymagane do uzyskania certyfikatu dotyczącego promieniowania), chroni wewnętrzne podzespoły przed szkodliwym działaniem kurzu i obiektów zewnętrznych, a także zapewnia poprawny przepływ powietrza wewnątrz obudowy.

Zainstaluj ekran portów I/O przed zainstalowaniem płyty głównej w obudowie. Umieść ekran wewnątrz obudowy tak, jak pokazano to na poniższej ilustracji. Wciśnij ekran tak, aby został prawidłowo zamocowany. Jeśli nie można prawidłowo zamocować ekranu, należy uzyskać od dostawcy obudowy ekran o odpowiednim rozmiarze.



OM13621

### 2 Instalowanie płyty głównej



#### UWAGA

*Użycie zasilacza innego niż zasilacz ATX lub SFX o napięciu 12 V lub niepodłączenie do płyty głównej D845GVAD2 dodatkowego przewodu zasilającego może spowodować uszkodzenie płyty głównej i/lub zasilacza.*

*Więcej informacji na temat zasilaczy ATX i SFX o napięciu 12 V można znaleźć w dokumencie Podręcznik użytkownika płyty głównej D845GVAD2 firmy Intel, który znajduje się na dysku CD-ROM z programem Express Installer firmy Intel.*

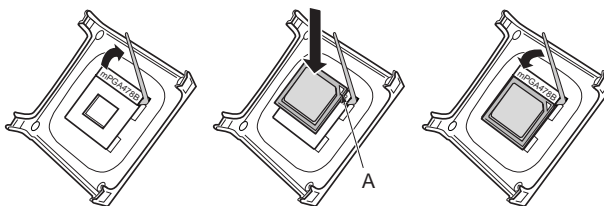
Szczegółowe instrukcje dotyczące instalowania i wyjmowania płyty głównej można znaleźć w instrukcji obsługi używanej obudowy. Za pomocą śrub przymocuj płytę główną do wsporników w obudowie.

Płyta główna D845GVAD2 jest mocowana do obudowy za pomocą sześciu śrub. Położenie otworów montażowych na płycie można określić na podstawie ilustracji zamieszczonej na stronie 4.

### 3 Instalowanie procesora

Aby zainstalować procesor, wykonaj następujące czynności:

1. Zapoznaj się z informacjami na temat środków ostrożności podanymi na stronie 3 w sekcji „Zanim rozpoczniesz”.
2. Unieś dźwignię gniazda procesora.
3. Zainstaluj procesor tak, aby oznaczony trójkątem róg (A) przylegał do rogu gniazda, w którym do gniazda przymocowana jest dźwignia.
4. Opuść dźwignię, aby znalazła się z powrotem w pierwotnej pozycji.



OM12078

5. Na płycie głównej znajduje się zintegrowany z nią uchwyt do zamocowania radiatora z wentylatorem dla procesora. Instrukcje dotyczące instalowania radiatora z wentylatorem dla procesora można znaleźć w podręczniku obsługi procesora lub w witrynie sieci Web działu obsługi klienta firmy Intel pod adresem:

<http://support.intel.com/support/processors/pentium4/intnotes478.htm>

### 4 Instalowanie modułów pamięci



#### **UWAGA**

*Moduły pamięci należy zainstalować w gniazdach DIMM przed zainstalowaniem karty wideo w gnieździe PCI 1, aby uchwyt modułów pamięci nie przeszkadzał w czasie jej instalowania.*

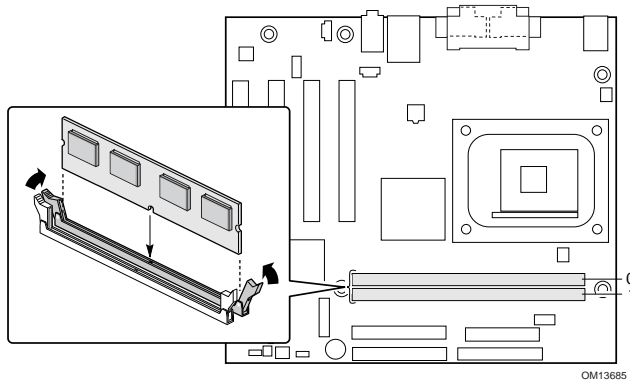
Dwa gniazda pamięci DIMM na płycie głównej D845GVAD2 oznaczone są jako DIMM 0 oraz DIMM 1, jak pokazano na poniższej ilustracji. Jeśli ma zostać zainstalowany pojedynczy moduł DIMM, należy zainstalować go w gnieździe DIMM 0.

Aby zainstalować moduły pamięci DIMM, wykonaj następujące czynności:

1. Zapoznaj się z informacjami na temat środków ostrożności podanymi na stronie 3 w sekcji „Zanim rozpoczniesz”.
2. Usuń kartę PCI z gniazda PCI 1, jeśli utrudnia ona łatwe otwarcie i zamknięcie zacisków gniazda pamięci DIMM.
3. Ustaw moduł pamięci DIMM tak, by niewielkie wycięcie na dolnej krawędzi pokryło się z przegródką w gnieździe.
4. Po umieszczeniu modułu pamięci DIMM naciśnij w dół górną krawędź modułu, aż zatrzasną się na nim zaciski gniazda. Sprawdź, czy zaciski zatrzasnęły się prawidłowo.

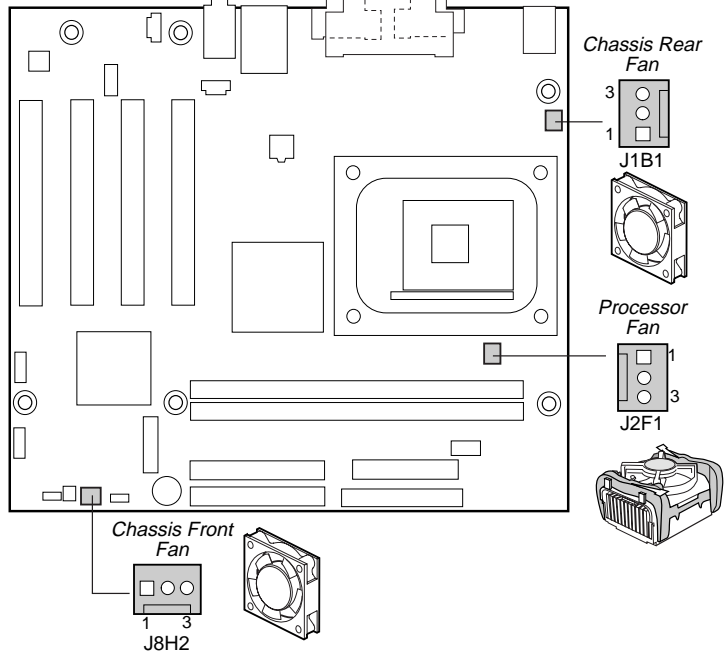


Na poniższej ilustracji pokazano, jak zainstalować moduły pamięci DIMM typu DDR SDRAM.



## 5 Podłączanie wentylatorów

Na poniższej ilustracji pokazano położenie złączy wentylatorów. Podłącz kabel radiatora z wentylatorem dla procesora do złącza wentylatora procesora na płycie głównej. Podłącz kable wentylatora obudowy do złączy wentylatorów na płycie głównej, jak pokazano na poniższej ilustracji.

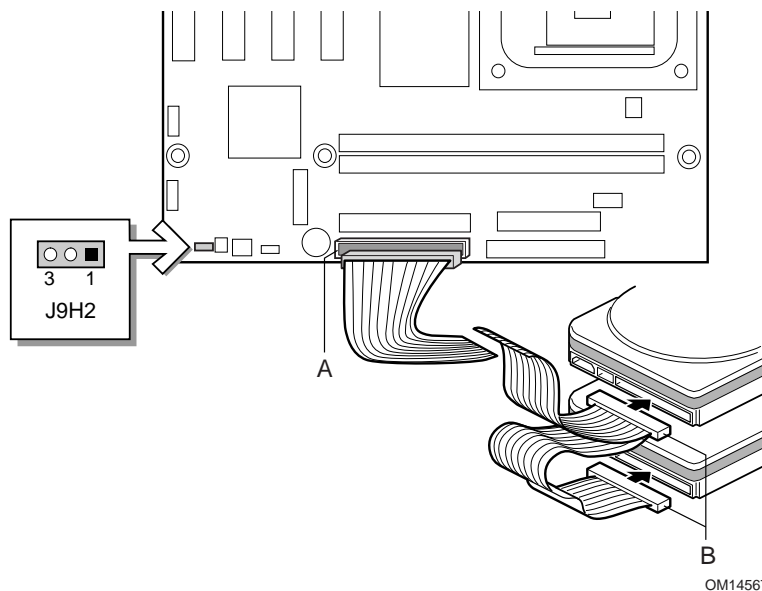


OM14566

## 6 Podłączanie dysków IDE

W opakowaniu z płytą główną firmy Intel® dostarczony jest kabel do podłączenia dysków IDE. Kabel ten pozwala na podłączenie do płyty głównej dwóch dysków. Kabel ten jest zgodny z protokołem przesyłania danych ATA-66/100 (40 styków, 80 przewodów) a także jest zgodny z protokołami wolniejszej transmisji danych wykorzystywanymi w starszych dyskach IDE. Kabel może działać poprawnie tylko wówczas, gdy zostanie podłączony tak, jak pokazano na poniższej ilustracji. Aby prawidłowo podłączyć kabel, wykonaj następujące czynności:

1. Zapoznaj się z informacjami na temat środków ostrożności podanymi na stronie 3 w sekcji „Zanim rozpoczniesz”.
2. Podłącz do płyty głównej koniec kabla wyposażony w pojedyncze złącze (A).
3. Podłącz dyski, wykorzystując koniec kabla, na którym zainstalowane są dwa złącza (B).



## Korzystanie z programu konfiguracyjnego BIOS Setup

Program BIOS Setup pozwala na wyświetlanie i modyfikowanie używanych w komputerze ustawień systemu BIOS. Program BIOS Setup może zostać wywołany podczas uruchamiania komputera przez naciśnięcie klawisza <F2> po rozpoczęciu autotestu startowego komputera (testu POST), lecz przed rozpoczęciem ładowania systemu operacyjnego.

## Ustawianie zworek na listwie zworek konfiguracyjnych systemu BIOS






### UWAGA

Przed zmodyfikowaniem ustawień na listwie zworek należy zawsze wyłączyć zasilanie i odłączyć od komputera przewód zasilający. Zmiana ustawienia zworki przy włączonym zasilaniu może być przyczyną nieprawidłowego działania komputera.

Ustawienia na listwie zworek konfiguracyjnych systemu BIOS określają tryb działania programu BIOS Setup, a w wypadku nieudanej próby aktualizacji systemu BIOS umożliwiają odzyskanie danych systemu BIOS (położenie listwy zworek jest widoczne na powyższej ilustracji).

W poniższej tabeli opisano poszczególne ustawienia zworek na listwie zworek konfiguracyjnych programu BIOS Setup.

### Ustawienia zworek na listwie zworek konfiguracyjnych programu BIOS Setup (J9H2)

Ustawienie zworki	Tryb	Opis
 3 1	Zwykły (domyślny) 1-2	Do załadowania systemu w systemie BIOS używane są bieżące ustawienia konfiguracji i zabezpieczenia hasłami.
 3 1	Konfiguracja 2-3	Po zakończeniu testu POST zostanie wyświetlone menu obsługi systemu BIOS (Maintenance Menu). Należy je wykorzystać do usunięcia hasła.
 3 1	Odzyskiwanie (brak)	W wypadku nieprawidłowego zakończenia procesu aktualizacji systemu BIOS można odzyskać dane systemu BIOS z dyskietki odzyskiwania.*

\*Aby zaktualizować system BIOS lub odzyskać dane systemu BIOS, należy postępować zgodnie z instrukcjami zawartymi w dokumencie Podręcznik płyty głównej D845PESV firmy Intel, który można znaleźć na dysku CD-ROM z programem Express Installer firmy Intel.

Listę wszystkich ustawień programu BIOS Setup można znaleźć w następujących lokalizacjach:

- na dysku CD-ROM z programem Express Installer firmy Intel w dokumencie *Podręcznik użytkownika płyty głównej D845GVAD2 firmy Intel*,
- w witrynie sieci Web firmy Intel pod adresem <http://support.intel.com/support/motherboards/desktop/>

## Wskazówki dotyczące rozwiązywania problemów

### **Płyta główna D845GVAD2 nie uruchamia się.**

- Sprawdź, czy kabel zasilania z 4-wtykowym złączem jest podłączony do głównego złącza napięcia 12 V dla procesora, które znajduje się na płycie głównej niedaleko gniazda procesora.
- Wyjmij i ponownie zainstaluj procesor Intel Pentium 4, moduł pamięci i wszystkie karty dodatkowe, aby upewnić się, że są one prawidłowo zainstalowane. Usuń wszystkie mniej istotne podzespoły sprzętowe i uruchom system.
- Rozłącz wszystkie kable zasilania i wyjmij baterię układu pamięci CMOS. Odczekaj 10 minut, a następnie zainstaluj ponownie baterię, podłącz zasilanie i uruchom system.

### **Generowany jest powtarzający się sygnał dźwiękowy oznaczający błąd, nie następuje uruchomienie płyty głównej i na ekranie nie są wyświetlane żadne informacje.**

Ten sygnał dźwiękowy może oznaczać problem występujący w czasie wykrywania urządzenia pamięci DDR SDRAM. Sprawdź, czy pamięć systemowa jest prawidłowo zainstalowana i czy zastosowane moduły pamięci DIMM są zgodne z wymaganiami dotyczącymi używanych modułów pamięci, które określone są w niniejszym dokumencie w sekcji Obsługiwane podzespoły.

### **Czas uruchamiania płyty głównej jest wydłużony.**

Wydłużenie czasu uruchamiania systemu może wynikać z nieprawidłowego ustawienia zworki konfiguracyjnej związanej z dyskami IDE. Więcej informacji można znaleźć na stronie sieci Web pod adresem:

<http://support.intel.com/support/motherboards/desktop/slowboot.htm>

## Łącza do witryny sieci Web działu obsługi klienta

Informacje pomocy technicznej dotyczącej produktu można wyświetlić lub pobrać z witryny sieci Web firmy Intel pod adresem:

<http://support.intel.com/support/motherboards/desktop/>

Użyj łącza do strony sieci Web z opisem używanej płyty głównej firmy Intel, aby uzyskać następujące informacje:

- Znane problemy i rozwiązania
- Oprogramowanie i sterowniki (najnowsze wersje systemu BIOS i sterowników)
- Zgodność (informacje o obsługiwanych procesorach firmy Intel<sup>®</sup> i modułach pamięci)
- Dokumentacja produktu
  - Specyfikacja techniczna produktu
  - Aktualizacje specyfikacji
  - Skrócony opis

W witrynie sieci Web firmy Intel dostępne są także numery telefonów działów obsługi klienta firmy Intel:

- Numery telefonów działów obsługi klienta firmy Intel na całym świecie:  
<http://support.intel.com/support/9089.htm>
- Formularz pomocy technicznej dla płyt głównych firmy Intel udzielanej za pośrednictwem poczty e-mail:  
[http://support.intel.com/support/motherboards/mobo\\_form.htm](http://support.intel.com/support/motherboards/mobo_form.htm)

Jeśli poszukiwane informacje nie są dostępne w sieci Web, należy skontaktować się z dostawcą, od którego zakupiono płytę.